

2110



Morsø 2100 Nostalgic look, glowing with Danish charm. The 2110, which is very spacious and effective, and the creation of the English designers, Queensbury Hunt. Together with the designers, we have created a powerful radiant stove, which is a true representative of the proud Morsø inheritance. The Morsø 2110 has an extra wide combustion chamber, allowing the use of large-sized fuel. At the same time, the width of the doors facilitate large glass windows, allowing you to gaze at the slow crackling fire.

2110

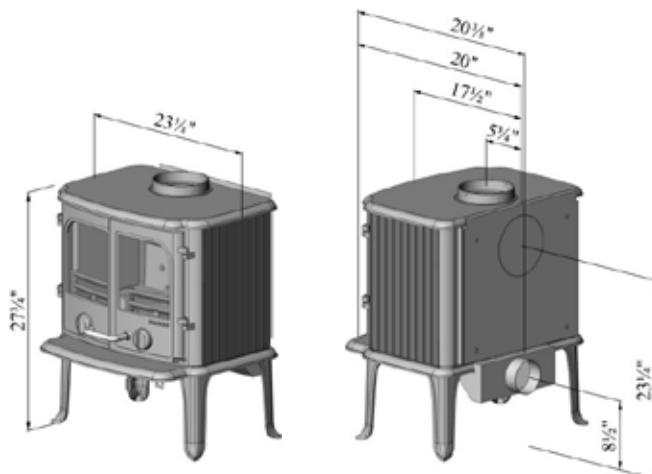


Radiant

Maximum Heat	42,000 BTU/hr
Test fuel load	7.65 lbs
Particulate Emission	4.3 grm/hr
Log size	18.5"
Max. Area Heated	1400 ft ²
Firebox Dimensions	18 3/4" W x 12 1/2" D
Firebox volume/capacity	1.093 ft ³
Outside air supply	Available
Gross Weight	279 Lbs
Washington State	Compliant

Basic Clearance (using single wall pipe top vent)

Stove to side wall	22"
Stove to rear wall	20"
Stove to corner	16"



For all clearance options download installation manual from www.morsona.com