



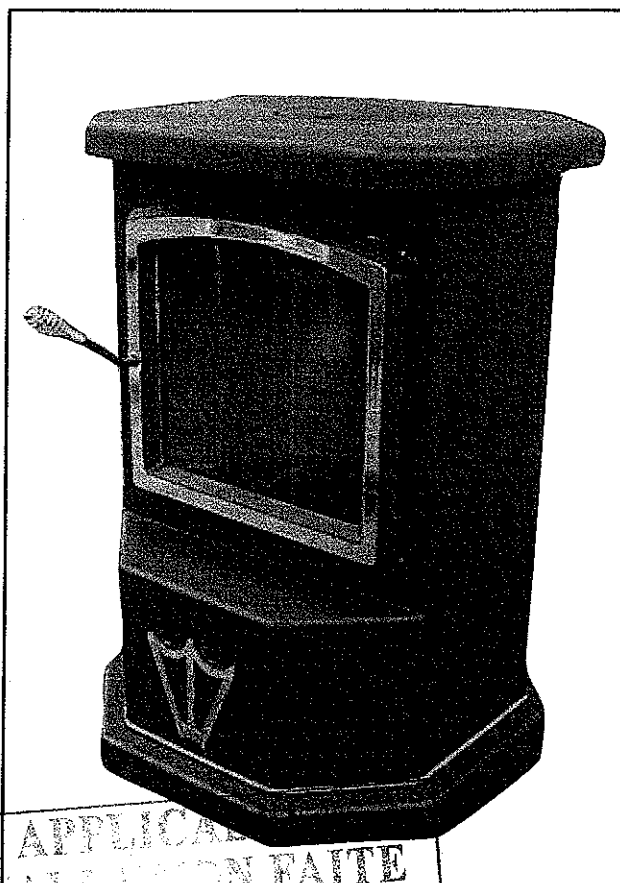
## INSTALLATION AND OPERATING INSTRUCTION MANUAL

### OIL BURNER STOVE MODEL FAUCON

CERTIFIED BY WARNOCK HERSEY IN ACCORDANCE WITH  
STANDARD CSA B 140.3 AND UL-896

#### WARNING

OIL BURNING APPLIANCES MUST  
BE CONNECTED TO A CHIMNEY  
WHICH WILL PROVIDE ADEQUATE  
DRAUGHT TO ENSURE A PROPER  
AND SAFE OPERATION OF THE  
BURNER.



LA GARANTIE SERA APPLICABLE  
SEULEMENT SI L'INSTALLATION EST FAITE  
PAR UNE PERSONNE QUALIFIEE.

#### PSG DISTRIBUTION INC.

798, 8th street, La Guadeloupe  
Beauce (Québec) CANADA G0M 1G0

Tel.: (418) 459-6458 Fax.: (418) 459-6450

Warnock Hersey



**KEEP THIS MANUAL FOR FUTURE REFERENCE**

**PSG DISTRIBUTION INC.  
5 YEARS LIMITED WARRANTY**

**PSG Distribution** warrants to the original consumer purchaser that the oil appliances operating with gravity force, will be free from defects in materials and workmanship, under normal use and service, for a period of 5-years from the date of purchase.

These warranties shall be void and have no effect if the appliance is not properly installed in accordance with the installation instructions manual provided with the product.

**WARRANTY LIMITATIONS**

During the first year of the limited warranty, **PSG Distribution** will provide replacement parts at no charge. All repairs must be approved by an authorized company official before any work is done.

During the second through the fifth year of the limited warranty, **PSG Distribution** will provide replacement parts at no charge, except for the parts listed below. The following parts are only guaranteed for the first year of the warranty : BURNER, RINGS, OIL VALVE, GLASS PANEL, AND THE BLOWER ASSEMBLY(optional).

This warranty may not be extended by our representatives in any manner whatsoever.

The remedy for damages as the result of any defects in the product which have been warranted herein is limited to replacement of parts and does not include any incidental or consequential damages or expenses sustained in connection with the product including damages to property.

The maker is not bound by this warranty if the purchaser does not return the part of the warranty attached at the bottom in 10 days from the date of purchase.

**WARNING:**

If the oil stove with another appliance capable of evacuating the air inside the house outside are working at the same time, it could provoke a negative pressure in the house. Smoke and a sent of oil will be released while the oil stove is functioning. To avoid this situation, you can install a permanent access of exterior air in the same room as the stove. Or you could temporarily open the nearest window next to the stove. This only has to be done when the stove and another appliance such as the dryer or/and a kitchen stove hood or/and an air exchanger is functioning at the same time.

## TABLE OF CONTENTS

	PAGE
Warranty .....	2
Technical characteristics .....	4
Stove Measurements .....	4
Chimney and connection .....	5
Locating the appliance .....	5
Lighting / Adjustment .....	6
Cleaning .....	6
Turning the stove off .....	7
Draught .....	7
Burner rings installation .....	8
Oil tank installation .....	9
Oil filter cleaning .....	9
Troubleshooting .....	10
Regulation of the valve .....	11
Replacement parts .....	11

## TECHNICAL CHARACTERISTICS

### CLEARANCE TO COMBUSTIBLES:

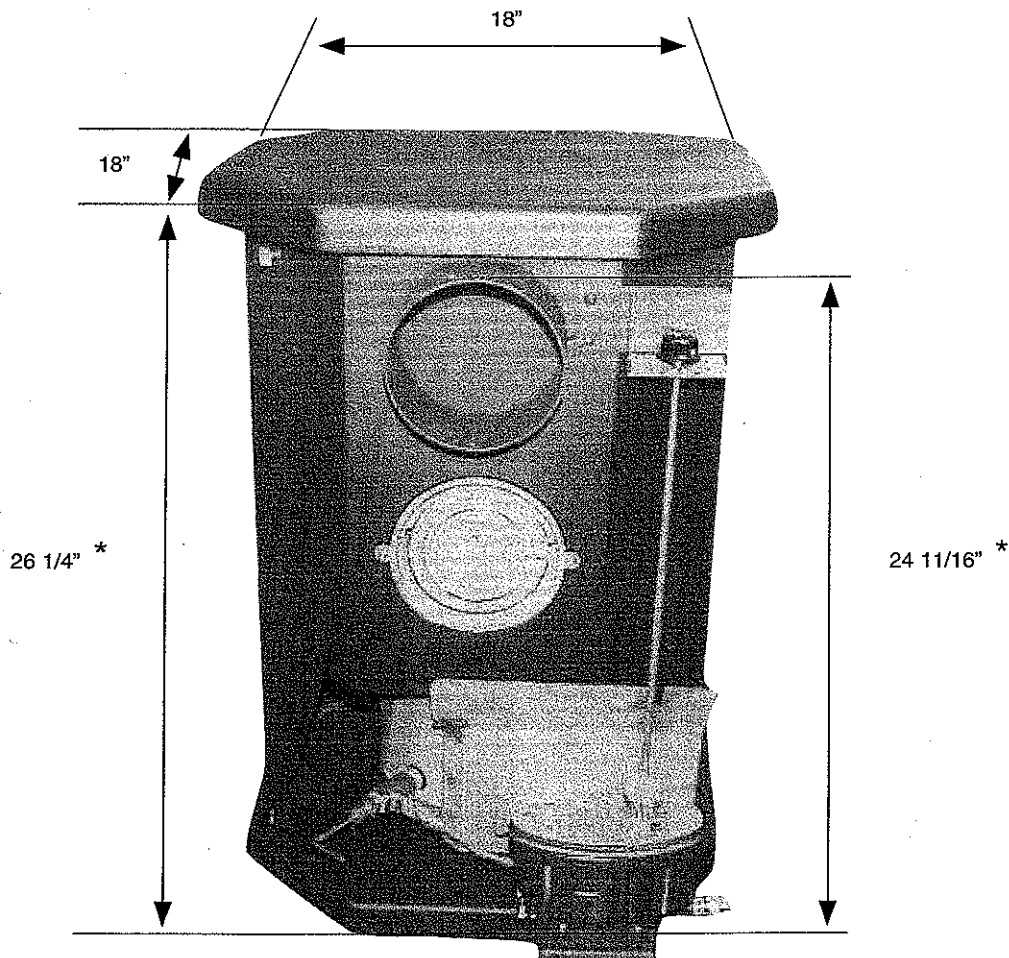
Back	.....12" (305 mm)
Side	.....16" (406 mm)
Other side	.....24" (610 mm)
Corner (45°)	.....16" (406 mm)

A MINIMUM CLEARANCE OF 9" FROM PIPE TO COMBUSTIBLES MUST BE ALLOWED.

### SPECIFICATIONS:

Type of fuel:	Oil # 1	Oil # 2
Heat output:	25, 600 BTUH	17, 200 BTUH
Recommended draught	0.05" w.c.	0.05" w.c
Efficiency	75.0%	74.0%
without fan:	72.0%	70.5%

## MEASUREMENTS



\* Those measurement include an obligatory clearance of 1/4" between the base and the floor.

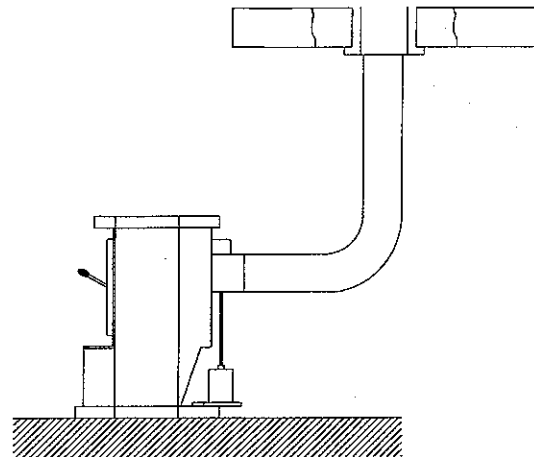
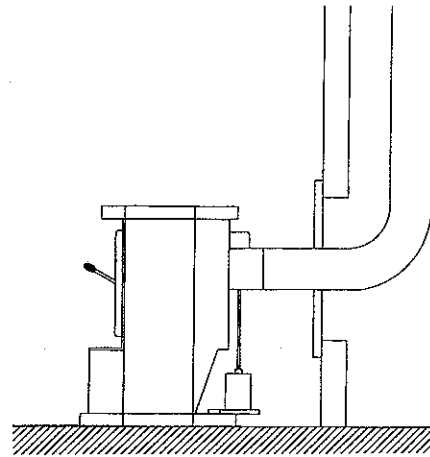
## CHIMNEY AND CONNECTION

This stove is made to be installed on a 5" diameter chimney. It is possible that the stove will not properly work if installed on a chimney with a larger diameter than 5". In that case, a 5" liner can be inserted in the chimney and connected to the stove. This type of installation must be verified by a professional chimney contractor. This verification is to obtain the maximum satisfaction from the stove while it is being used.

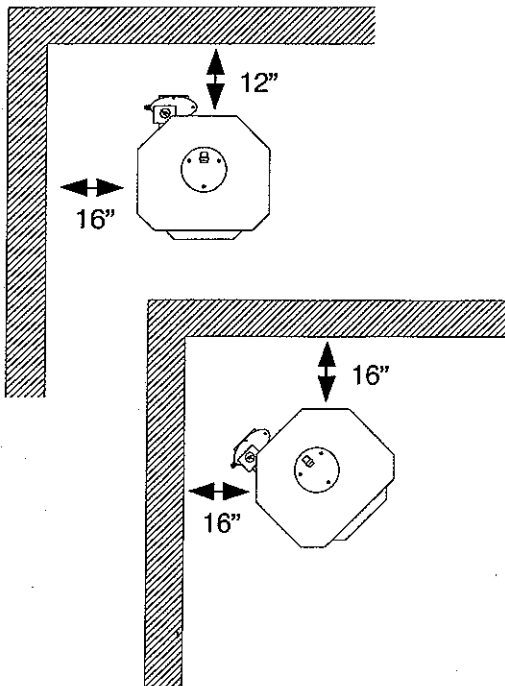
- Before the installation is carried out, ensure that the chimney is in good condition and will provide adequate draught, i.e. .05" W.C.
- The chimney should be well insulated.
- It must be airtight and its diameter must be constant.
- The minimum diameter must be no less than 5".
- The height of the flue should be no less than 5 meters (16 1/2 feet) and the top should be above the ridge of the roof and terminate without any form of restriction in the open air.
- Never use a smaller diameter than that intended for the appliance or restrict it in any way (minimum 5").
- The connection between the stove's pipe and the chimney must be perfectly airtight.

**NOTE: It is essential to check that the room in which the appliance is installed is sufficiently well ventilated to provide an adequate air supply.**

**THE INSTALLATION SHALL BE IN ACCORDANCE WITH THE REGULATIONS OF AUTHORITIES HAVING JURISDICTION. AND THE INSTALLATION CODE FOR OIL BURNING EQUIPMENT CSA-B-139.**



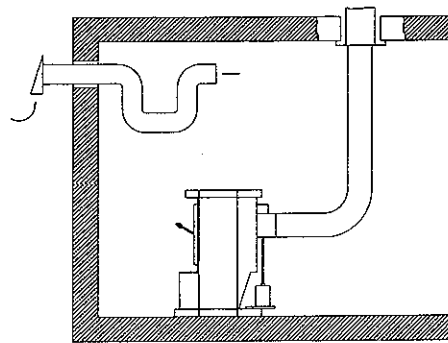
## LOCATING THE APPLIANCE



- The flue outlet is fitted on the back of the appliance.
- It is possible to connect the stove directly to the chimney using a short horizontal length of pipe or make a vertical connection to the back of the stove using the 90° elbow (see drawings above).
- Make sure that the burner always stand perfectly level with the floor. To do so, put a level on the burner flange and verify both axes. Repeat the operation with the level on top of the valve. The appliance must be correctly fixed to the floor using the two fixing screws to be fitted at the rear of the frame (see drawing p.8).
- A minimum clearance of 229 mm (9") from pipe to combustibles must be allowed. **NOTE: DO NOT INSTALL THE APPLIANCE DIRECTLY ON CARPETING.**

THE BURNING OF ONE LITRE FUEL OIL REQUIRES APPROXIMATELY 30M<sup>3</sup> OF AIR AND WILL PRODUCE APPROXIMATELY 0,8 KG OF WATER VAPOUR AND 9M<sup>3</sup> OF CARBON DIOXYDE +ATMOSPHERIC NITROGEN. A SOURCE OF AIR FROM THE OUTSIDE IS NEEDED TO REPLACE THE COMBUSTION AIR.

**DO NOT USE GASOLINE, CRANKCASE OIL OR ANY OIL DERIVATIVE.**



## LIGHTING / ADJUSTMENT

1. Open tap on the pipe between the stove and your main oil tank.
  2. Arm valve's lever at the back of the stove by pushing it downward. (see figure next page)
  3. Open the door of the stove.
  4. Make sure that the 2 burner's rings are in the right position. (see figure p. 8)
  5. Pour in the pot 1oz of wood alcohol (methyl hydrate). The quantity of wood alcohol can be replace by 1/2oz of gel. **IT IS VERY IMPORTANT THAT THE QUANTITY BE RESPECTED.**
  6. Provoke the alcohol or the gel with the help of a lit up match by throwing it in the pot.
  7. Close the door of the stove.
  8. Set the flow regulating handle to position #1.
  9. Wait 15 minutes before increasing the flow regulating handle on position #2.
- You must at least wait 15 minutes before increasing the flow regulating handle to a higher degree. Although, it is not necessary to wait 15 minutes before reducing the degrees.

### IMPORTANT NOTE:

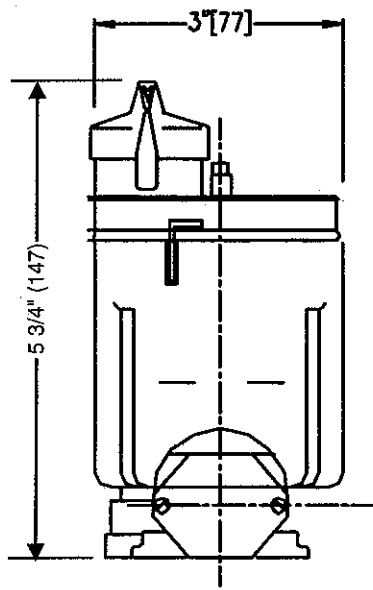
If you miss the stove's lighting, always wait for the burner to cool down to room temperature before using burning alcohol again or else, use commercial lighting material (solid) or a piece of cotton damped in oil. If, further to some misoperation, the burner finds itself filled with important quantities of oil, all of the oil must first be removed (e.g. by using a sponge) before lighting the stove again.

**DO NOT ATTEMPT TO START THE BURNER WHEN EXCESS OIL HAS ACCUMULATED. OR WHEN THE BURNER IS HOT. DUE TO HIGH SURFACE TEMPERATURES KEEP CHILDREN, CLOTHING AND FURNITURE AWAY**

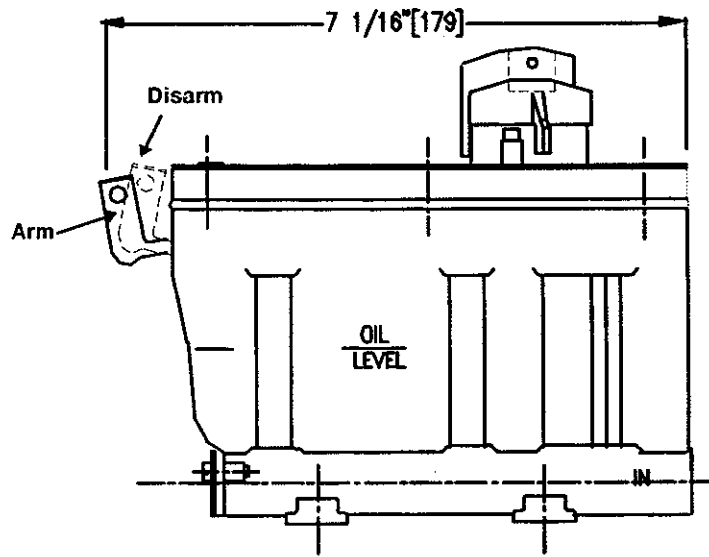
## CLEANING

Whille cleaning the glasses on your oil stove with detergent, make sure to rinse off your glasses thoroughly; because residues might de left on the glasses. If it is not properly rinsed off the remaining chemicals from the detergent will stain your glasses when the stove will be heated. The stains will be very difficult to remove. In order to avoid this situation; we recommend that you only use a damp cloth to clean your glasses and do it once a week.

As long as the chimney's draught is correct and the valve is correctly set, the burner should not get dirty. The cleaning tee should be turned, pushed forward and pulled back into place once a week. The burner and its rings should be cleaned with a metallic brush at two months intervals. When lighting the stove at the beginning of the heating season, clean the valve's filter, check cleanliness of the stove's internal flue parts and of the stove's rear smoke manifold. Both sweep and inspect your chimney at least once a year. Clean the stove and check the door seals. Inspect the internal flue paths. (remove the cleaning trap door) at least once per heating season.



SIDE VIEW



FRONT VIEW

## TURNING THE STOVE OFF

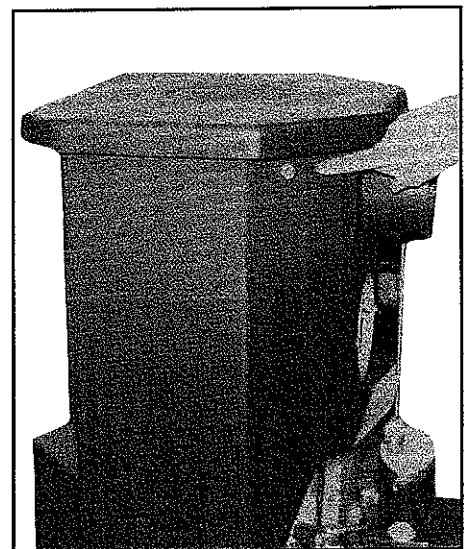
Set the flow regulating handle to position "0". If you plan to keep the stove off for a long while, it is recommended to disarm the valve's lever and close the tap on the pipe between the stove and your oil tank. (See front view above) **ALWAYS KEEP THE VALVE SHUT OFF WHEN THE BURNER IS NOT OPERATING.**

## DRAUGHT

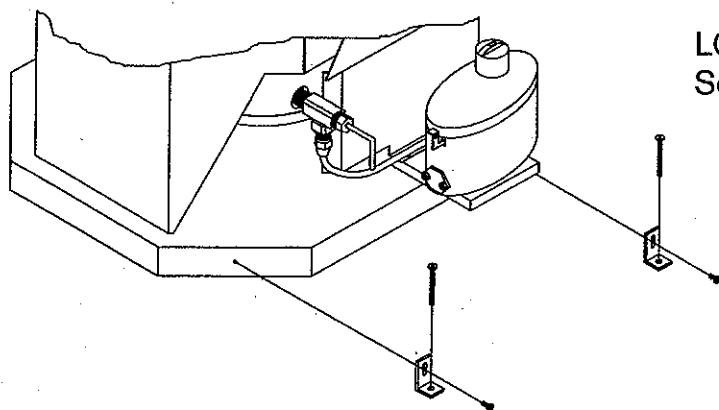
The chimney's draught is of capital importance to ensure a good combustion. When the stove is set to maximum output (position "6"), the draught must reach 0.05" W.C. at least, after having burned for an hour. If such was not the case, the stove's efficiency would be reduced.

**NOTE:** In case the chimney's draught is higher than 0.05" W.C., the stove's draught limiter must be used. The draught can be properly measured only by using a draught-meter. Any other method or instrument (candle flame, etc.) shall be totally unable to give any accurate measurement. Providing the chimney's draught is correct, you should be perfectly satisfied of your stove.

**IMPORTANT:** It is important to check that the draught limiter is in the right position.



**NOTE:** Remove the strap to take the content of the burner. Replace the two screws.

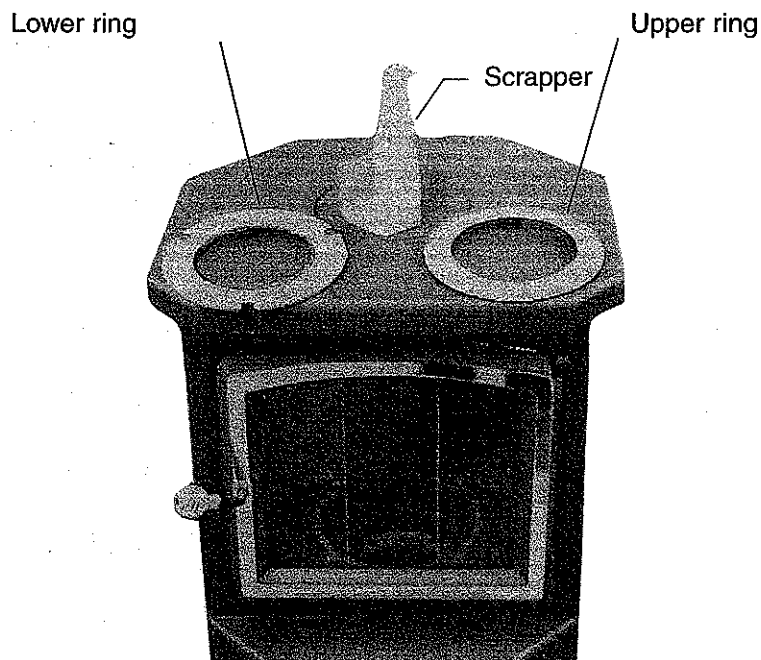


**LOCATING THE APPLIANCE.**  
See page 5 for details.

**NOTE:** The appliance base must be 1/4" above the floor.

## BURNER RINGS INSTALLATION

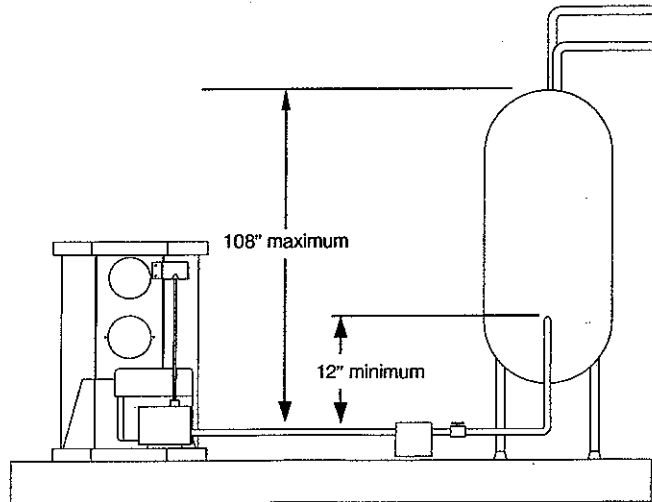
- Install the lower ring first, making sure the cavities are aligned to allow the ring to fit on the lower retaining rods.
- Install the upper ring on the upper retaining rods.





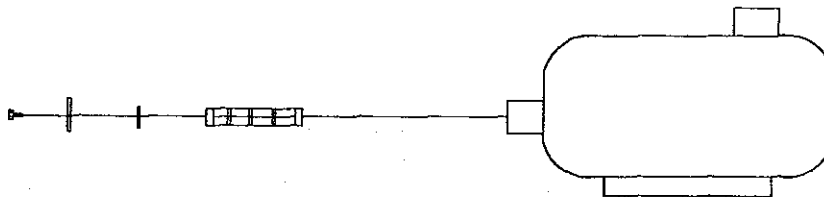
## OIL TANK INSTALLATION

The oil outlet on the oil tank must be at least 12 inches higher than the oil inlet on the stove regulator. And the top of the oil tank must not be higher than 108 inches than the oil inlet on the stove regulator.



## OIL FILTER CLEANING

1. Remove the plate;
2. Remove the gasket;
3. Remove the oil filter;
4. To clean the oil filter, rinse in petroleum or kerosene;
5. Dry the oil filter and put it back in place.



## TROUBLE SHOOTING

- **ON POSITION 6, THE FLAME GETS LONGER, PRODUCES SMOKE AND BLACK DEPOSITS ON THE WINDOW.**

**1st explanation:**

- Position "6" was reached too quickly.
- Set flow regulating handle to position 0 and wait for combustion to get back to normal. Then progressively get back to desired position.

**2nd explanation:**

- Maximum flow is too high. Set flow regulating handle to an intermediate position and ask your dealer to regulate your stove's valve.

- **ON POSITION 1 OR 2, THE FLAME PRODUCES SMOKE:**

**EXPLANATION:** Minimum flow is too low.

- Set flow regulating handle to a higher position and call your dealer.

- **THE FLAME PRODUCES SMOKE IN ANY POSITION:**

**1st explanation:**

- The door is not completely close.

**2nd explanation:**

- The burner's holes are blocked, clean the burner.

**3rd explanation:**

- Chimney's draught is too low. Call your dealer.

- **THE FLAME GOES OUT:**

**1st explanation:**

- Oil tank is empty. Refill tank.

**2nd explanation:**

- Impurities coming from oil, tank or pipes block the flow:
  - a) inside the tank
  - b) in the valve's filter
  - c) in the slot of the valve's flow regulating rod
  - d) at cleaning tee tip

Call your dealer to have your stove inspected and cleaned.

**IMPORTANT REMINDER:**

The chimney's draught ensures the supply of air for combustion to take place in the burner. Dirty windows are caused by bad combustion, itself being due to lack of air. Most of the time, this is due to insufficient chimney draught.

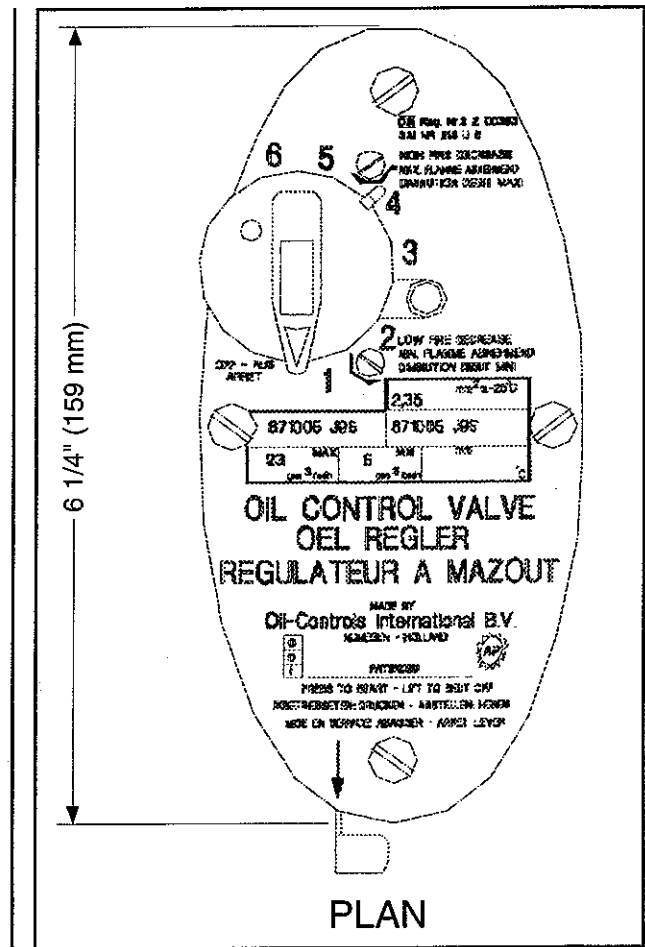
## REGULATION OF THE VALVE

### TO BE CONDUCTED BY A PROFESSIONAL

**NOTE:** No regulation should be needed on the valve unless the fuel's viscosity varies. On top of the valve, two regulation screws can be found: "Maximum flow decrease" and "Minimum flow decrease". Oil flows cannot be increased.

- If the minimum flow is too high, turn the relevant screw in the direction the arrow points to.
- If the maximum flow is too high, turn the relevant screw in the direction the arrow points to. Regulating a valve's flow requires lots of precision and sensitivity. It is advisable to act upon the regulation screws with utmost care. Always start by setting minimum flow.

THE OIL TANK SHALL BE LOCATED SO THAT THE TANK WILL NOT BE EXPOSED TO THE DIRECT RAYS OF THE SUN, OR BE ADJACENT TO ANY SOURCE OF INTENSE HEAT.



## REPLACEMENT PARTS

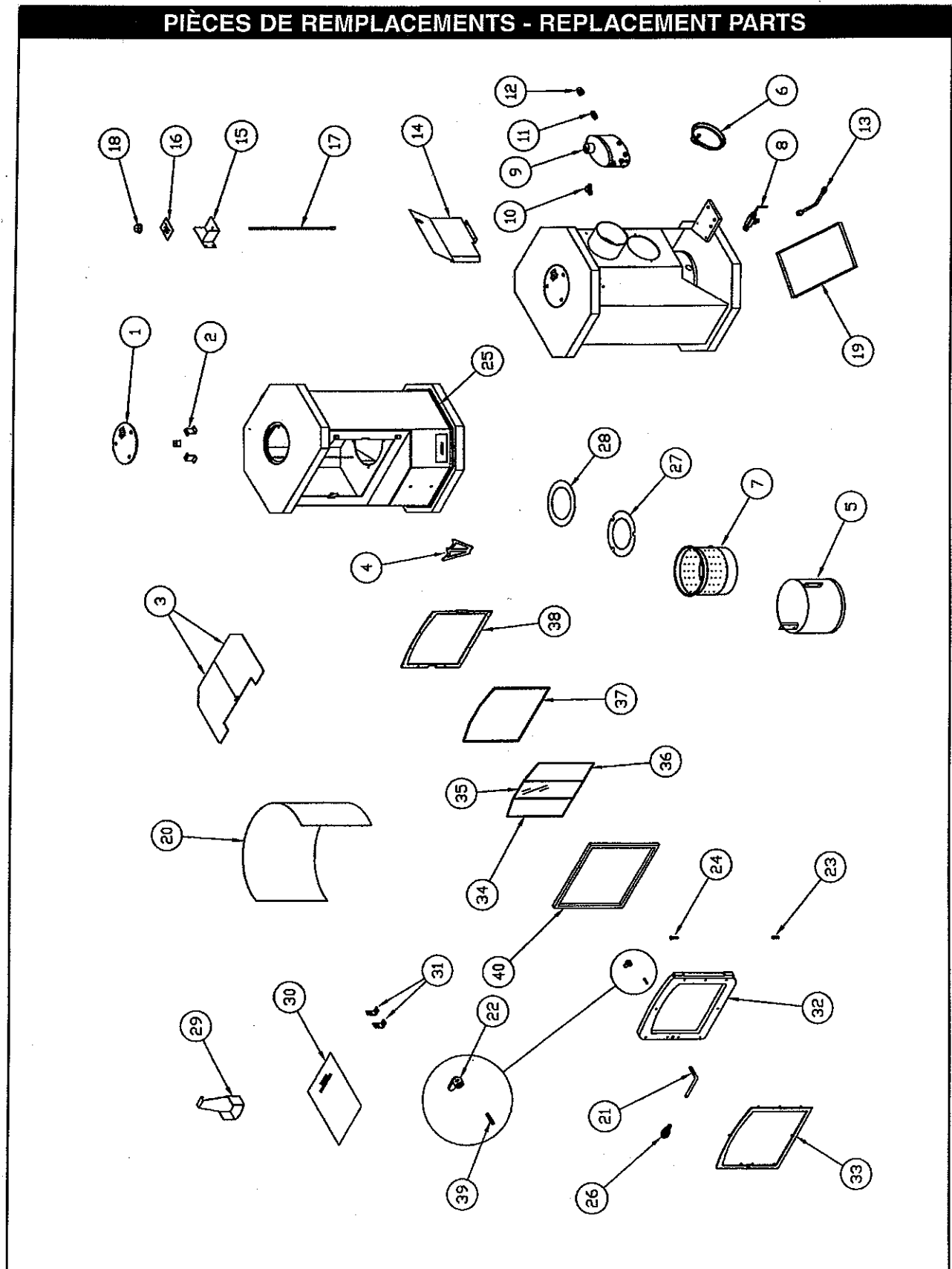
After years of use, if you need to replace some parts, please contact your supplier. Give him product data as displayed in your warranty voucher, or on your appliance's name plate at the rear. Keep the warranty voucher even after its validity date.

Our dealers are in possession of all spare parts nomenclatures and technical data about our products, and will provide you with the spare parts you need and any maintenance intervention within the scope of their professional competence.

**NOTE: SEE ANNEXE**

# ANNEXE

## PIÈCES DE REMPLACEMENTS - REPLACEMENT PARTS



# ANNEXE

RÉF.	NO PIÈCES	DESCRIPTION DE LA PIÈCE	PART DESCRIPTION
1	P10086-A	Rond de poêle avec trous	Top plate with holes
2	P10087	Fixation du rond de poêle	Top plate fixation
3	P10449	Défecteur intérieur	Inside deflector
4	P10436-D	Empreinte plaquée or 24k	Gold plated footprint
5	A1030	Gaine du pot à combustion 7"	Sheath (for the 7" combustion pot)
6	MQ1001	Volet barométrique 5"	5" draft control
7	P10292	Pot à combustion 7"	7" combustion pot
8	E1004	Té dégraisseur	Cleaning tee
9	MP1013	Vanne à l'huile	Oil valve
10	MF1018	Coude mâle 90° 1/4npt - 5/16 évasé	90° elbow 1/4 npt - 5/16 flare
11	MF1011	Connecteur 1/4npt - 3/8 évasé	Male connector 1/4 npt - 3/8 flare
12	MF1009	Écrou court 3/8 évasé	Short nut 3/8 flare
13	E1030	Tuyau de cuivre avec écrous	Oil valve pipe with nuts
14	P10450	Défecteur de la vanne	Oil valve deflector
15	P10451-A	Support de la tige vanne	Oil valve rod support
16	MW1006	Étiquette pour contrôle	Sticker for control
17	P10452-A	Tige de la vanne	Oil valve rod
18	MM1010	Bouton pour contrôle de vanne	Knob control
19	V10290	Tiroir à l'huile	Oil pan
20	P10453	Plaque protectrice	Protection plate
21	P10111-A	Tige de la poignée de porte	Rod handle
22	A1015-A	Loquet de la porte	Door latch
23	P10117	Tige (bas de la porte)	Rod (bottom of the door)
24	MC1006	Rivet (haut de la porte)	Rivet (top of the door)
25	MZ1004	Moulure	Trim
26	MM1011	Poignée ressort plaquée or 24k	Gold plated handle
27	P10311	Anneau inférieur	Lower ring
28	P10312	Anneau supérieur	Upper ring
29	P10254	Grattoir du pot à combustion	Combustion pot scraper
30	MW1037	Manuel d'installation	Installation manual
31	P10118-A	Ancrage	Anchor
32	P10147-A	Cadre de la porte pour moulure	Door frame for the door trim
33	P10130-D	Moulure de porte plaquée or 24k	Gold plated door trim
34	P10200	Vitre gauche	Left glass panel
35	P10199	Vitre centrale	Center glass panel
36	P10447	Vitre droite	Right glass panel
37	MN1004	Ruban autour des vitres	Glass gasket
38	A1016-A	Cadre des vitres	Glass frame
39	MC1005	Goupille ressort	Spring pin
40	MN1005	Cordon de la porte	Door gasket