

No Utility Bills Inc.

www.noutilitybills.com

Tel: (780)628-4835

#301 Lyall Subdivision, County of Athabasca, AB, Canada

VIEWINGS BY APPOINTMENT ONLY!

List Price From	
Sale Price From	
Prices are subject to change without notice! 071908	

The Stratford EPA Wood Fireplace

The Stratford is a decorative and efficient wood fireplace that meets EPA particle emissions standards. That's saying a lot, but the Stratford has much more to offer, including a 2.5 cubic foot firebox that's easy to reach through double-cast iron doors, self-cleaning glass system, heat-activated twin 150 CFM blower included standard. The Stratford will impress you with its distinctive style and exceptional heating capacity. Several options are available, including a forced air system for heating adjacent rooms.



Options:

- Black, gold or brushed nickel plated door overlay
- Black, gold plated or brushed nickel plated louver kit
- Fire screen door
- 3" Adapter for fresh air kit
- Hot air gravity kit
- Forced air kit

Fuel	Wood
BTU/hr., EPA test wood	30,500
BTU/hr., cord wood	75,000
Heating Capacity	500 To 2,000 sq.ft.
Burn Time	6 to 8 Hours
Firebox Volume	Large 2.5 cu.ft.
Log Length (Max)	21 inches
Weight	350 lbs
Width	36-3/4 inches
Depth	26 inches
Height	38 inches
Flue Size	6 inches
Outside Air Size	3 inches
EPA Emissions	4.4 Grams per hour
Optimum Efficiency	77%
Hearth Requirements	N.C. 18"D x 41.75"W **
Testing	EPA, ULC-S610 & UL-127



No Utility Bills Inc.

www.noutilitybills.com

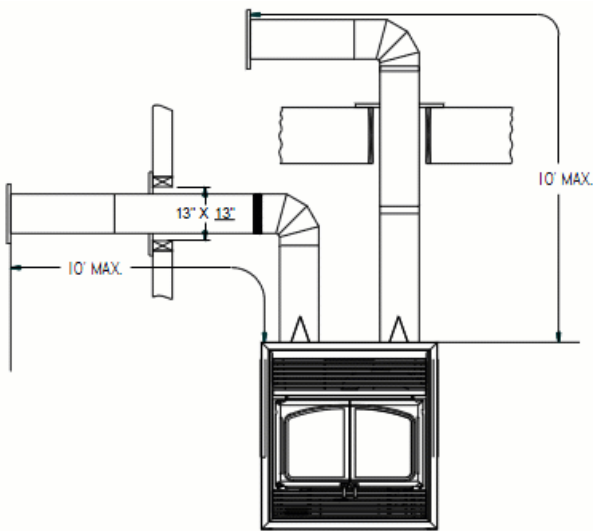
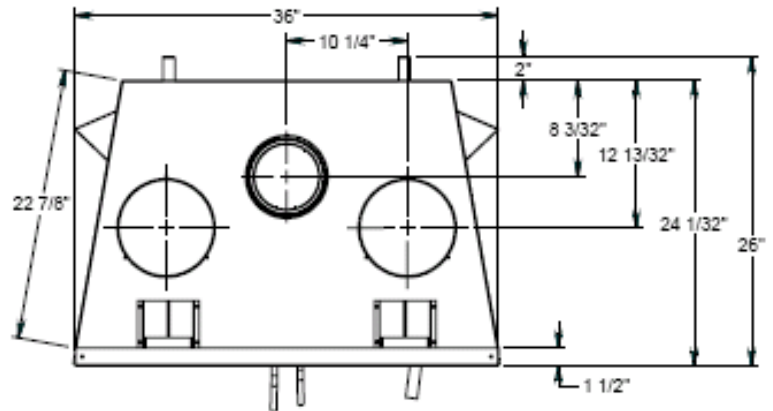
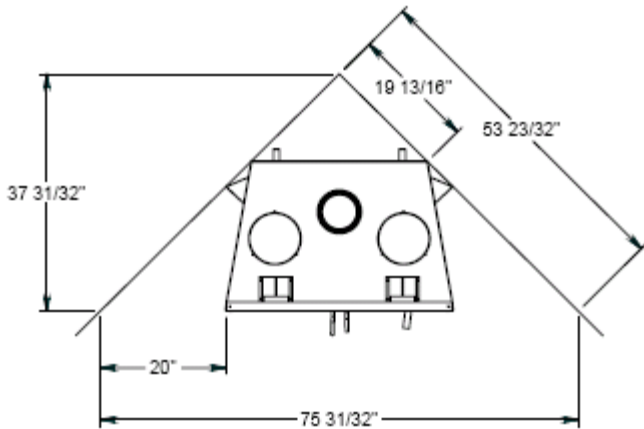
Tel: (780)628-4835

#301 Lyall Subdivision, County of Athabasca, AB, Canada

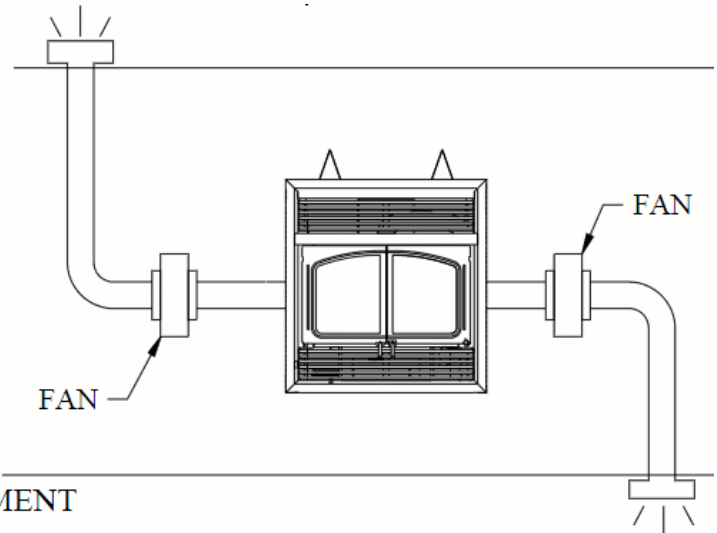
VIEWINGS BY APPOINTMENT ONLY!



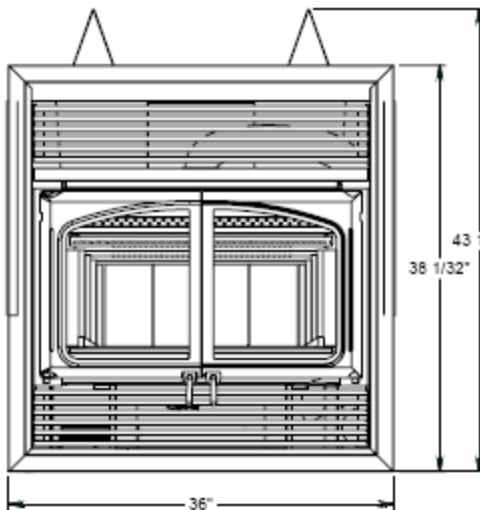
The Stratford EPA Wood Fireplace



ROOM



BASEMENT



The Stratford can accept up to two hot air ducts to heat rooms as far as 30 feet away. This option is ideal for sending warm air to the basement.

Chimney Options

The Plus can be used with the following chimneys:

- Super Pro (model SPR or ALT), 6"
- Supervent (model JSC or JM), 6"
- Selkirk (model Ultra Temp or CF Sentinel), 6"
- Security Chimneys (model Secure Temp ASHT or S-2100), 6"
- ICC (model Excel 2100-2), 6"
- Simpson Dura-Vent (model Duratech HT or Duraplus HTC), 6"
- Metal Fab (model Temp Gard, class A), 6"
- American Metal (model Ameritec HS or HSS), 6"