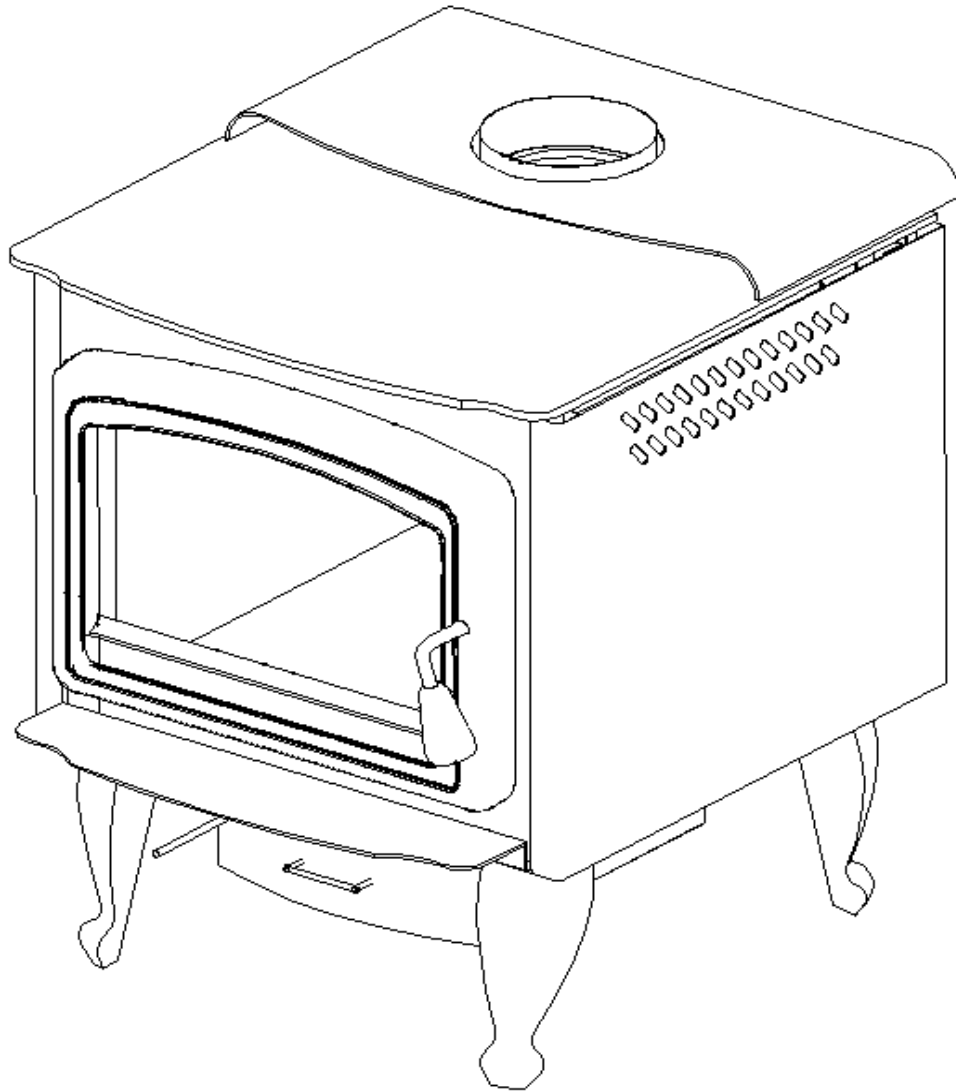


TRADITION 1600 & 2100 MANUAL



NORDIC STEEL PRODUCTS Int.

11750, Philippe-Panneton
Montreal, Québec, H1E 4G4
Toll free number 1-888-494-4522
☎ (514) 494-4521
🌐 www.nordicfireplaces.com
✉ info@nordicfireplaces.com

TABLE OF CONTENTS

	Page
Introduction	1
Stove dimension	1
Warning	2
Creosote	2
Wood	2
Lighting	2
Glass	3
Glass replacement	3
Refractory brick replacement	4
Maintenance	5
Chimney Maintenance	5
Ashes	5
Expansion noises	5
Security Requirements	6
Combustible Materials	6
Installation in mobile home	6
Type of chimney	7
Chimney	7
Minimum height of chimney	7
Fresh Air Intake and back drafting	8
Chimney fire	9
Smoke detector	9
Outside Air Intake installation	9
Standard installation	10
Parts description	11
Floor protection	11
Installation drawings	12-13
Rating Plate	14
Warranty	15
Warranty Card	16

INTRODUCTION

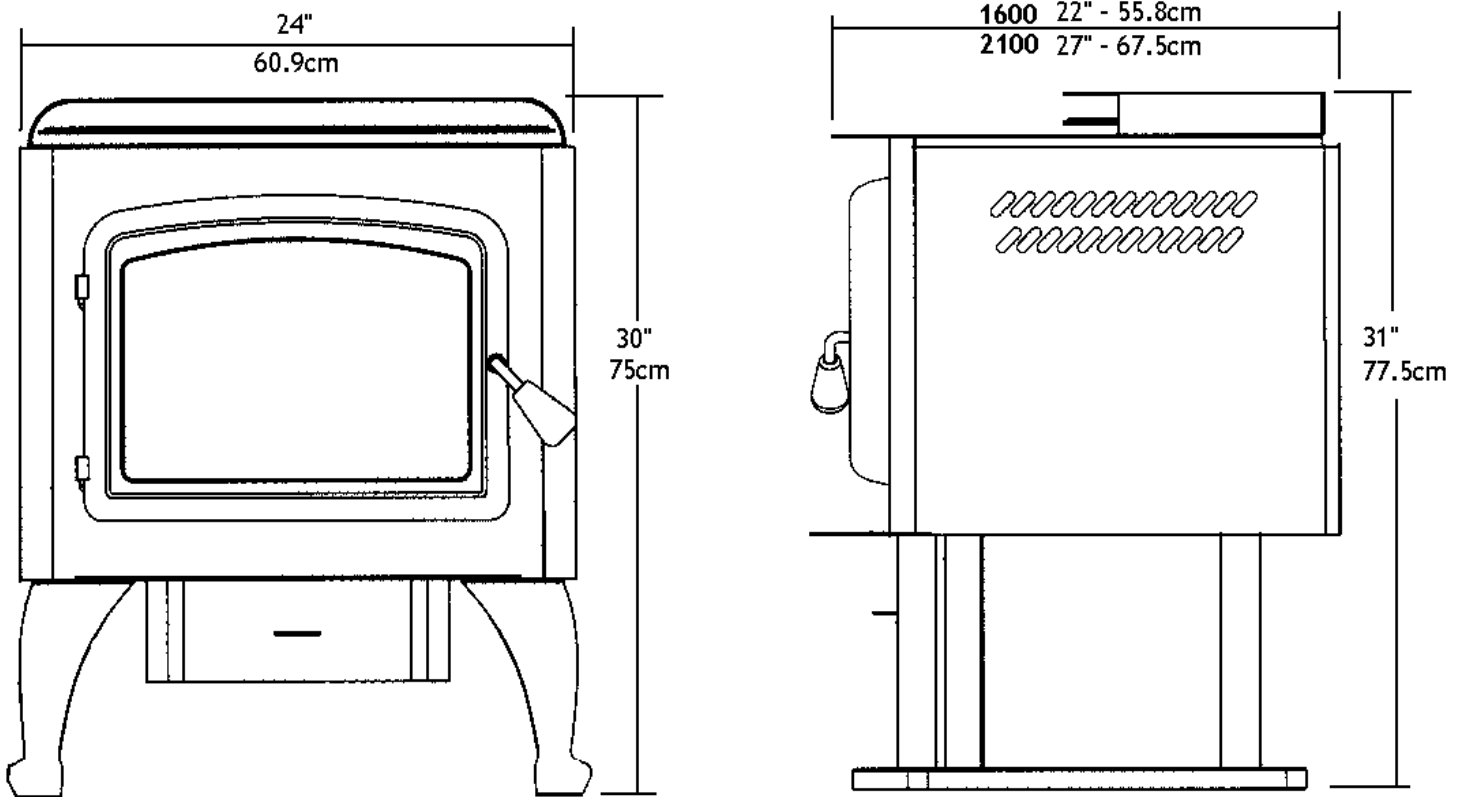
Please read carefully all information in this instruction manual and keep it for reference. It contains all the necessary information for installation and efficient use of the wood stove Tradition 1600 & 2100.

Before installing the wood stove consult the local authorities to obtain a construction permit. Take note of all the lawful requirements in force. In most cases a construction permit is required.

The equipment's installation will be done in accordance with the regulation authorities having jurisdiction on Warnock Hersey's Code of wood heating equipment's installation. (CAN/CSA B365)

The placement of the stove is very important. Preferably, choose the most central part of the house, so that heat is distributed evenly. Never install your stove near a door, window or staircase in order not to block them in the event of fire.

WOOD STOVE DIMENSION



WARNING

It is prohibited to use gasoline, oil or other flammable liquids to light a fire.

Never use your wood stove with light fuels such as oil waste, naphtha, gasoline or engine oil. The fire might get out of control and may even cause a chimney fire.

During combustion, the stove's walls become very hot, do not touch them.

Keep the door closed when the stove is in use, with the door open, smoke can be released (carbon monoxide) by your stove and you can lose control of the flame.

If the stove is installed in the basement on a cement floor, with unfinished walls and ceiling joists, the efficiency will be affected (up to 75%) due to an ambient coolness too high.

CREOSOTE

When wood burns slowly, it produces tar and other organic vapours when, associated with moisture, forms creosote. The creosote vapour condenses in a chimney flue relatively cooled by a slow fire. Its results in an accumulation from creosote inside the pipe.

When burning, the creosote forms an extremely blazing hot fire.

It is preferable to make small brisk fires rather than smouldering fires. This will enable you to keep the chimney and glass clean.

It is important to inspect the chimney or clean it periodically.

WOOD

Avoid using green wood to slow down combustion. This causes the formation of excessive soot and creosote deposit in the chimney. It may cause a chimney fire. An accumulation of more than 3mm of creosote is sufficient to proceed to the cleaning of the chimney in order to reduce the risks of a chimney fire.

It is important to burn seasoned wood to obtain a better quantity of heat per cordwood.

Burn reasonable loads, do not overload the stove and ensure that the logs are placed in order not to fall against the glass, or to burn too close to the glass.

Use seasoned wood only. Note that **6-12** months are needed for drying to have seasoned wood of **15 to 20 %** of moisture.

→ **Important:** Do not store the wood near the stove.

LIGHTING THE FIRE

Lighting a good sharp fire is necessary. Introduce into the outer firebox a small quantity of old ruffled papers and cover them with seasoned kindling. Open the damper key (located at the center, behind the upper shutter) and light fire. As soon as fire is well taken, add pieces of wood a little larger and close the door. When the stove is hot, do not touch the handle with bare hands.

At the beginning of lighting open the air register input (lever located at the bottom of the ash drawer) so that the air is not driven back in the stove, it is very important to allow a good airflow in the area.

The air control keys were especially designed to allow an air intake of 10% when they are completely closed.

GLASS

Never slam the door and never strike the panes. When you close the door, make sure that the logs are placed in order not to fall against the glass or to burn to close to the glass.

Never clean the glass with abrasive products. The scratches could be transformed into cracks and the glass could break. Never try to clean the hot glass when the stove is in use. You will find cleaning products at your retailer.

Never use flammable products, which could cause an explosion.

Inspect the glass regularly in order to detect cracks. If you see a crack, extinguish the fire immediately. Return the door to your retailer to replace the glass before re-using your stove. Never use your stove if the glass is broken.

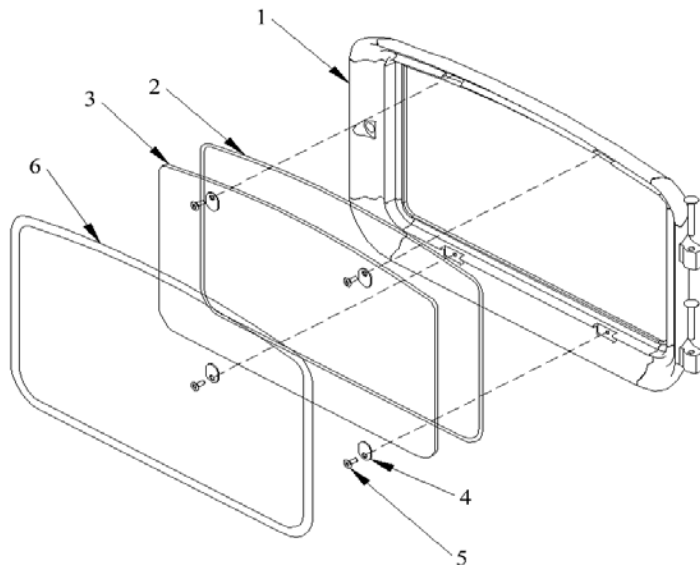
Never replace the glass by another material. If needed, you must replace it by another glass of the same size that you can get from your retailer.

GLASS REPLACEMENT

Directions:

Handle the glass with caution to avoid cutting yourself.

- 1) Cast iron door.
 - 2) 3/16 gasket.
 - 3) 10 x 16 ½ arched ceramic glass.
 - 4) Support bracket.
 - 5) Nuts.
 - 6) 1/2" gasket.
- 7) You can get the glass at your retailer or at Nordic Steel Products Int.



REFRACTORY BRICK REPLACEMENT

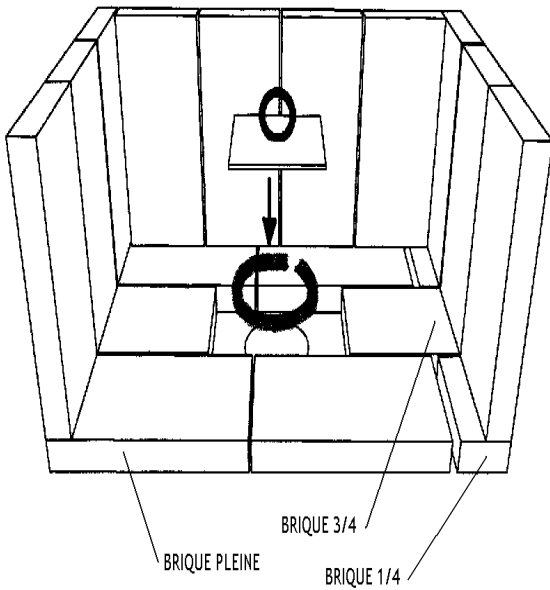
Do not use the stove when there is a missing or broken brick.

If a refractory brick is broken, replace it by a similar one.

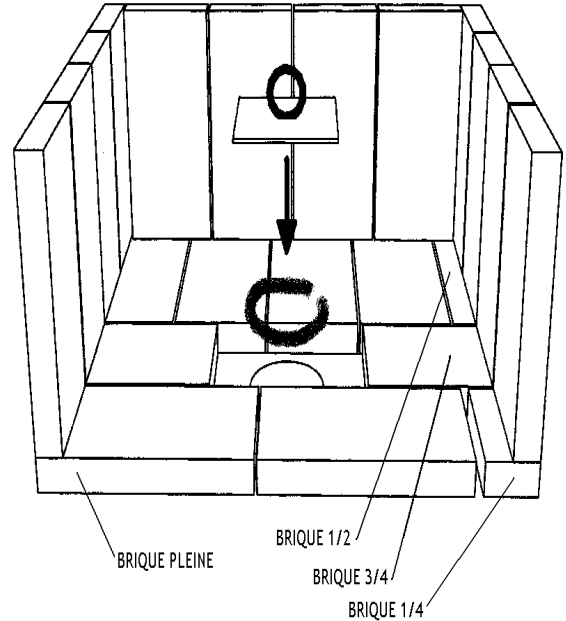
1- You can purchase refractory brick replacement at your retailer or at Nordic Steel Products Int.

TRADITION 1600 REFRACTORY BRICK

TRADITION 2100 REFRACTORY BRICK



14 BRIQUES PLEINE
2 BRIQUES 1/4
2 BRIQUES 3/4



18 BRIQUES PLEINE
1 BRIQUE 1/2
1 BRIQUE 1/4
2 BRIQUES 3/4

16 bricks $4 \frac{1}{2} \times 9 \times 1 \frac{1}{4}$
1 brick $2 \frac{1}{4} \times 9 \times 1 \frac{1}{4}$
1 Bricks $2 \frac{1}{4} \times 4 \frac{1}{2} \times 1 \frac{1}{4}$

20 bricks $4 \frac{1}{2} \times 9 \times 1 \frac{1}{4}$
2 bricks $2 \frac{1}{4} \times 9 \times 1 \frac{1}{4}$

MAINTENANCE

DOOR

Before heating the stove for the first time, it is necessary to remove all labels and wash the door with soapy water (soft soap). Because the least traces on the door will remain forever when heating your stove.

Clean your stove regularly by removing the ashes. Then deposit the ashes in a steel container with a tight lid. This container should not have any other type of waste in it.

The door and the gasket must always be clean and in good condition. Perhaps for an intensive use, it will be necessary to replace the joint of the door if it loses its elasticity. Check the sealing of the door periodically, a damaged or used gasket must be replaced immediately. Contact the nearest store for spare parts.

Note that solid fuel stoves must be frequently cleaned, because an accumulation of soot, creosote and ashes can be formed. Directions must be given concerning the measures to be taken if there is a chimney fire due to an accumulation of soot or creosote.

CHIMNEY MAINTENANCE

It is important to inspect the chimney or clean it periodically.

It is necessary to clean the chimney after an accumulation of 3mm.

After two months of continuous service, it would be preferable to clean the chimney and dismount the pipe of the stove to remove soot and creosote.

Before beginning each heating season, check the interior and exterior of the stove and the chimney in order to detect any defect or deterioration.

To reduce the risks of chimney fires, check your chimney by regularly inspecting it in order to check the accumulation of creosote. To reach it, unscrew the hat. A wood or plastic brush is recommended to avoid scratches on the internal wall.

ASHES

Remove ashes only when the stove and ashes are cold. Deposit ashes in a metal container with a tightly fitting lid.

Do not keep ashes in the house because they release carbon monoxide and other harmful products. Do not place other waste materials in the metal ash container.

Place the ashes well away from all combustible materials, pending final disposal. Ashes remain hot during days and could cause a fire, they should be retained in the container until all cinders have thoroughly cooled.

Do not deposit ashes in cardboard box.

EXPANSION NOISES

Noises of expansion and contraction during the heating cycle and cooling are normal phenomena. It is not necessary thus to worry.

SECURITY REQUIREMENTS

- A. Keep children away from the stove when it is in use.
- B. This stove was designed to burn wood in reasonable quantity. Avoid large fires, which could damage the stove. Do not burn wet or green wood, or salt, laminated and melamine containers.
- C. It is prohibited to use flammable liquid to start or activate a fire. Keep these products far from the heat source.
- D. When the stove is used for the first time, make small fires to allow the refractory bricks to solidify themselves.
- E. During these first fires, the stove's paint can release odour and smoke. Open a window to decrease these nuisances. It can also prove to be necessary to open a window in the case of an airtight house or when a ventilation appliance is in function.
- F. When the fire is extinguished and the stove has cooled off, close the damper key and the air register key until the next use of your stove.
- G. If you must leave the stove lit without monitoring, ensure yourself that the door is closed by doing it delicately. Leave the air register open.

COMBUSTIBLE MATERIALS

Note: Additional logs, curtains and furnishing must be at a minimum distance of 48" (1220 mm) from the stove. It is recommended to heat the chimney in order to avoid the risks of smoke. To do so, use ignited newspapers and maintain it in direction of the chimney.

INSTALLATION IN MOBILE HOME

The Tradition stove models 1600 or 2100 are approved for mobile home. They are easy to install and must be equipped with a fresh air supply system.

- 1- The apparatus must be fixed on the ground by using the two holes at the base of the stove.
- 2- One should never install this appliance in a bedroom.
- 3- This apparatus must be installed only with an approved chimney 2100 according to Standard **ULC S629 in Canada** and Standard **UL 103HT in United States**.
- 4- Before placing the appliance at the selected place make sure that the mobile house's structure is sufficiently solid for the weight of the chimney and stove.

TYPE OF CHIMNEY

The chosen type of chimney must have a minimal 6" diameter (152 mm) and must be approved for residential use (**Canada: ULC S629; United States: UL 103HT**). The evacuation duct must never cross an attic space, closet or any closed space as a floor, ceiling or a combustible material wall.

To continue the chimney's installation please refer to the manufacturer's manual.

CHIMNEY

The stove must not be connected to any other distribution system: such as an incinerator, heating system or ventilation system.

This unit requires a masonry chimney or a certified (2100) prefabricated chimney, and its components must conform to the Canadian standards and having appropriate dimensions.

If the chimney is a masonry one, we recommend you have it inspected and repaired as needed. A chimney with a stainless interior (liner) may be necessary to reduce the diameter to a more effective dimension.

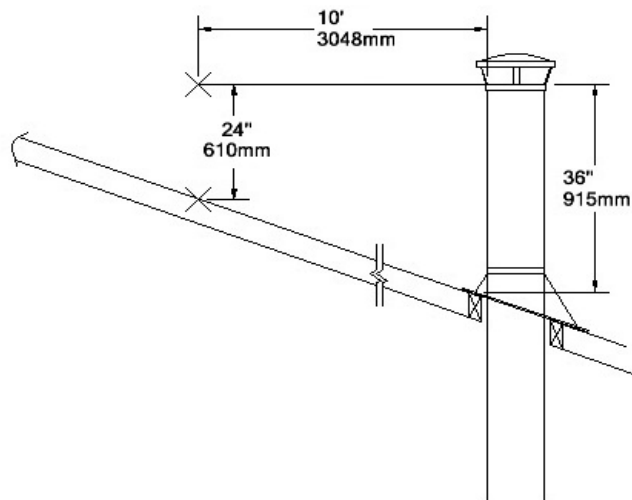
To obtain a more suitable draft, the top of the chimney must be 3' higher than its exit point from the roof and must be at least 2' higher than the highest roof top point within a 10' radius.

The chimney pipes must never pass through an attic, cupboard, closet or other enclosed area, or a floor, ceiling, wall or partition made of combustible materials.

For the stove's connection to the chimney, choose a 24 gauges sheet pipe. Make sure that the bore is equal to the diameter of the connection (Never use a coated sheet).

MINIMUM HEIGHT OF THE CHIMNEY

The chimney must extend at least 3' (915 mm) past its point of contact with the roof and must overhang at least 2" (610 mm) any walls, roof or building in a radius of 10' (3050 mm). A chimney of 5' (1525 mm) or more above a roof, must be solidified with a support of safety or cables.



FRESH AIR INTAKE & BACK DRAFTING

A Tradition 1600 or 2100 wood stove installed properly should not produce smoke in the house. If the stove continues to produce smoke, it will probably be for one of the following reasons :

- 1) The external installation of the chimney is defective or incorrect, engaging in problems of air return and, consequently, of difficult lightings.
- 2) The heating of the chimney is insufficient. Not to forget that the hotter the stove is, the more the chimney will intake smoke.
- 3) The door or the air input register were closed again too quickly. The contribution of air is essential with the maintenance of combustion.
- 4) If the area is too airtight or the house presents a negative pressure and it does not have an external air intake, the contribution of air to the stove will be more difficult than normal. Temporarily open a window near to the stove to increase it.
- 5) Any ventilator (cook top exhaust fan, bathroom ventilator, central vacuum cleaner or steam drier with linen) that draws air towards outside can create a negative pressure in the house. Close them, open a window near the stove to regulate this problem.
- 6) Wet wood releases more smoke while burning than the seasoned wood. The wetter the wood is, the less it releases heat and the more it produces creosote. If wood burnt is very wet, inspect the chimney every month that the stove is in use.
- 7) Ensure yourself that the chimney is reasonably clean and free of any obstruction.
- 8) Check if the chimney is sufficiently high: minimum of 3' (914 mm) above its junction with the roof (see figure page 7). If not, add additional lengths of duct which will increase the chimney's draft and will reduce the tendency of smoke return.
- 9) A chimney near an external wall (see drawing page 11, right-hand side) without coating often presents problems. Open a window near the stove, heat the chimney while presenting paper in a form of a torch in the direction of the chimney or by crumpling newspaper in the stove and light at 3 or 4 different places. Keep the door half-open to obtain a more active fire in the stove and during this time, the chimney will preheat faster.
- 10) Always remove the surplus of ashes before lighting a fire. Maintain a thickness of ashes of 254 mm (1") for optimized combustion and to maximize the duration of fire.

CHIMNEY FIRE

Communicate with municipal or provincial fire prevention services to obtain information on the way of controlling chimney fire. If a chimney fire is declared they will know exactly what measures to take.

If you presume the existence of a chimney fire it is recommended to:

Close the door and the air entry key of the stove.

Advise all family members.

Call the fire department if help is needed.

Try to extinguish or control the fire with a dry extinguisher, baking soda, sand or ashes. Never use salt because it is corrosive or water because it could cause a vapour explosion.

Make sure that the sparks leaving the chimney do not ignite the roof.

Have your stove and chimney inspected by the fire protection organization before using them again.

SMOKE DETECTOR

You should not install your smoke detector too close to your stove because it will go off when opening the door for loading.

AIR ENTRANCE

It is prohibited to modify the air entrance in any way.

OUTSIDE AIR INTAKE INSTALLATION

The external air intake kit must be installed **according to the following instructions**.

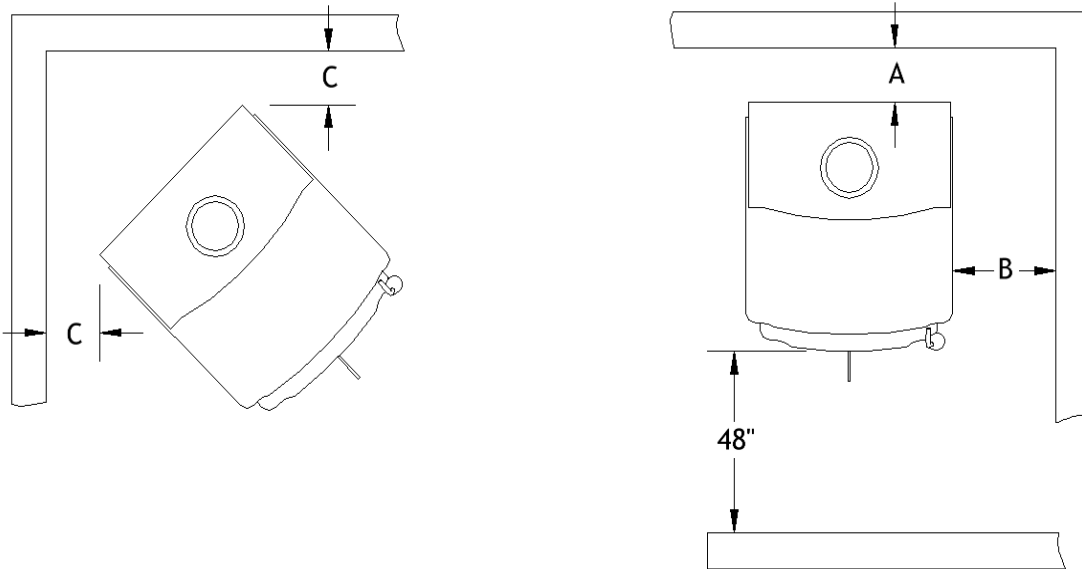
- 1. The maximum length of the duct must be 20' feet. The length of the duct should be as short as possible.
- 2. The air register should not be installed with more than 7' feet above the bottom of the stove.
- 3. Cold air must come from the exterior of the house.
- 4. The air intake should not be supplied by the basement, attic or garage air.
- 5. The external register should not be able to intake the release of car, gas or other air outlets.
- 6. The register, if possible, must be placed so that it is not blocked by snow or exposed to extreme winds.
- 7. The register and the duct can be installed above or below the floor.

Make an opening of **4 ¼ po (110 mm)** in the exterior wall of the house, at the chosen location. From the outside place the exterior air intake in the opening (shutters opened downwards).

STANDARD INSTALLATION

The Tradition 1600 or 2100 stove will be placed in such a manner that the clearance with all combustable surfaces such as ceiling and walls will be:

- 48" in the front
- 50" from the ceiling (to the top stove)
- 14" at the back
- 16" on the sides



STANDARD INSTALLATION

The releases can only be reduced by approval of the authorities.

COMBUSTIBLE RELEASES

Single sided pipe

Figure # 1	Units	Pipe*
A- Back wall	14"	21.5
B- Sidewall	16"	28"
C- Corner	10'.5"	19'.5"
Ceiling	7	N/A

Double sided pipe

Figure # 2	Units	Pipe*
A- Back wall	5"	14"
B- Sidewall	16"	28"
C- Corner	5"	14"
Ceiling	7'	N/A

Operation Conditions

Door	Closed
Fan	Optionnal **

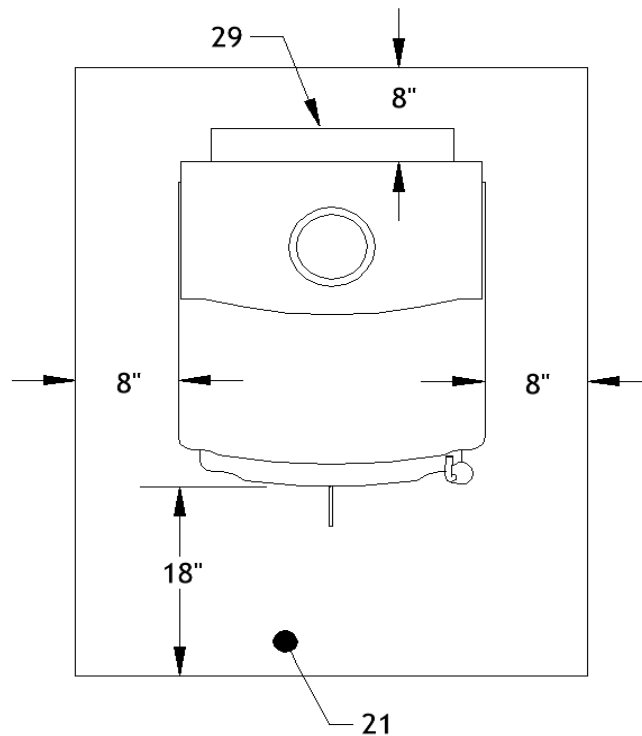
PARTS DESCRIPTION

DESCRIPTION	PARTS
Floor Protector (Non combustible)	21
6" single or double pipe	22
Certified Chimney 2100	23
Hat	24
Attic Firestop	25
Decorative Ceiling Support	26
Adaptor	27
Roof Plaster Filling	28
Fan	29

REFER TO PAGES 12-13

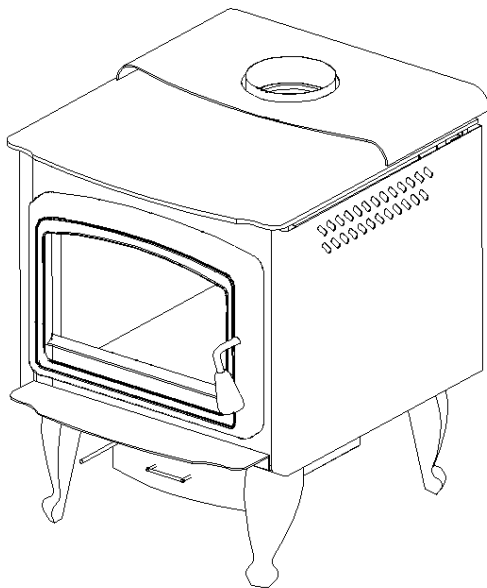
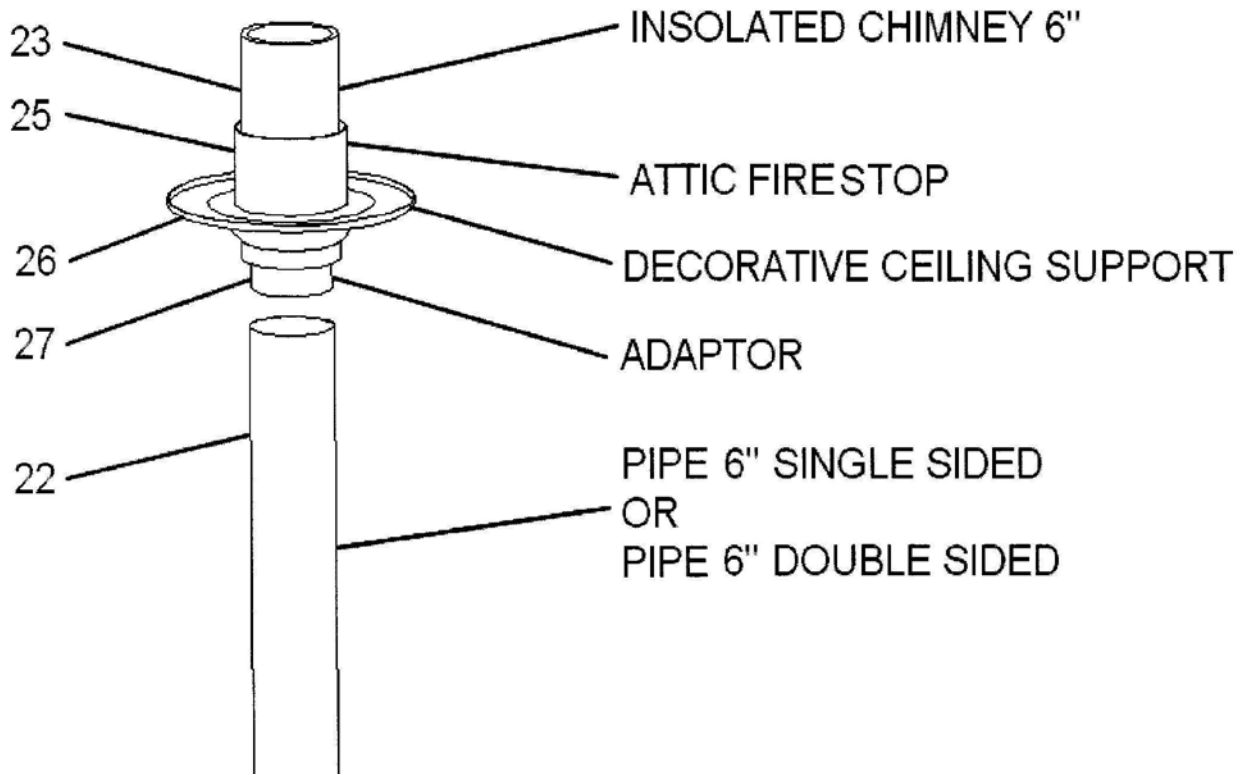
FLOOR PROTECTION

If your floor is made out of concrete, you can install your stove directly on it. For the installation and use in conformity with the manufacturer's instruction and the local building codes, the appliance must be installed on a 3/8" (9.5mm) thick concrete plate (Duroc) or an equivalent, extending 18" (457 mm) in front and 8" (203 mm) in the back and on the sides. See figure below.



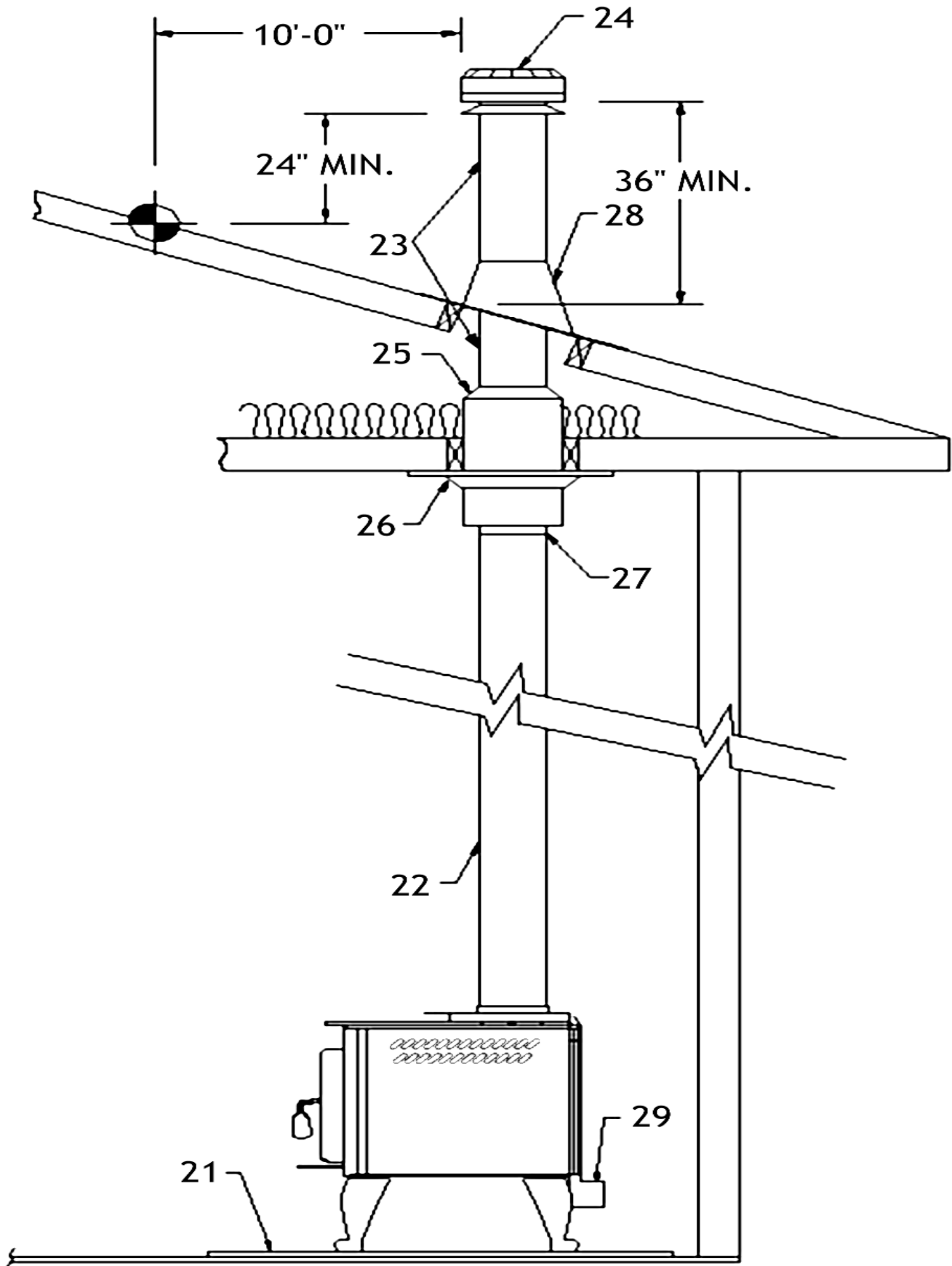
STOVE AND CHIMNEY INSTALLATION DIAGRAM

SEE DESCRIPTION ON PAGE 11



CHIMNEY'S INSTALLATION DIAGRAM

SEE DESCRIPTION ON PAGE 11



RATING PLATE



NORMES D'ESSAIS
TEST STANDARDS
Avril / April 2000

ULC S627
UL 1482

POÊLE À COMBUSTIBLE SOLIDE HOMOLOGUÉ
LISTED SOLID FUEL SPACE HEATER

MODÈLE / MODEL: **TRADITION**

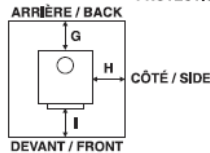
WH-

DÉGAGEMENTS AUX COMBUSTIBLES / CLEARANCES TO COMBUSTIBLES



	INSTALLATION RÉSIDENIELLE ET MAISON MOBILE / RESIDENTIAL INSTALLATION AND MOBILE HOME					
	TUYAU À PAROI SIMPLE / SINGLE WALL CONNECTOR			TUYAU À PAROI DOUBLE / DOUBLE WALL CONNECTOR		
	(cm)	(po./in.)	(cm)	(po./in.)	(cm)	(po./in.)
MUR ARRIÈRE	A: 36	14	D: 46	18	A: 13	5
MUR LATÉRAL	B: 41	16	E: 64	25	B: 41	16
CORN	C: 25	10	F: 53	21	C: 13	5
					D: 23	9
					E: 64	25
					F: 41	16

PROTECTION DE PLANCHER / FLOOR PROTECTION



	(cm)	(po./in.)	
ARRIÈRE	G: 20	8	BACK
CÔTÉS	H: 20	8	SIDES
DEVANT	I: 46	18	FRONT

DISTANCE MINIMALE PLAFOND-PLANCHER: 84 po. (213 cm)
MINIMUM FLOOR-CEILING DISTANCE: 84 po. (213 cm)

- INSTALLER ET UTILISER CONFORMÉMENT AU MANUEL D'UTILISATION DU FABRICANT.
- CONTACTER LES AUTORITÉS DE VOTRE LOCALITÉ AYANT JURIDICTION CONCERNANT LES RESTRICTIONS ET INSPECTIONS D'INSTALLATION.
- UTILISER DES TUYAUX D'ÉVACUATION À PAROIS SIMPLE OU DOUBLE HOMOLOGUÉS D'UN DIAMÈTRE MINIMUM DE 6 po. (150mm) AVEC UNE CHEMINÉE PRÉFABRIQUÉE APPROUVÉE POUR UTILISATION AU BOIS OU UNE CHEMINÉE DE MAÇONNERIE.
- VOIR LES CODES LOCAUX ET LE MANUEL D'INSTALLATION DU MANUFACTURIER POUR LE PASSAGE DE LA CHEMINÉE À TRAVERS UN MUR OU UN PLAFOND COMBUSTIBLE.
- NE PAS TRAVERSER UN PLAFOND OU UN MUR COMBUSTIBLE AVEC UN TUYAU D'ÉVACUATION.
- NE PAS RACCORDER CET APPAREIL À UNE CHEMINÉE DESSERVANT UN AUTRE APPAREIL.
- UTILISER AVEC LE BOIS SEULEMENT, NE PAS UTILISER D'AUTRES COMBUSTIBLES.
- N'OUVRIR LA PORTE QUE LORS DU CHARGEMENT.
- NE RIEN ENTREPOSER SOUS L'APPAREIL.
- NE PAS UTILISER DE GRILLES OU DE CHENÊTS POUR ÉLEVER LE FEU.
- PRÉPARER LE FEU DIRECTEMENT SUR L'ÂTRE.
- NE PAS SURCHAUFFER, SI L'APPAREIL OU LE TUYAU ROUGIT, IL Y A SURCHAUFFE.
- INSPECTER ET NETTOYER LA CHEMINÉE FRÉQUEMMENT, DANS CERTAINES CONDITIONS, L'ACCUMULATION DE CRÉOSOTE PEUT ÊTRE RAPIDE.
- REMPLACER LA VITRE AVEC UN VERRE DE CÉRAMIQUE SEULEMENT.
- INSTALLER L'APPAREIL SUR UNE PLAQUE NON COMBUSTIBLE TEL QU'INDIQUÉ SUR L'ÉTIQUETTE.
- NECESSAIRE D'APPORT D'AIR EXTÉRIEUR AVEC TUYAU D'ÉVACUATION HOMOLOGUÉ (CAN: ULC S641; É-U: UL103) ET UNE CHEMINÉE PRÉFABRIQUÉE COMPATIBLE HOMOLOGUÉE (CAN: ULC S629; É-U: UL103HT).
- INSTALL AND USE ONLY IN ACCORDANCE WITH THE MANUFACTURER'S INSTALLATION AND OPERATING INSTRUCTIONS.
- CONTACT LOCAL BUILDING OR FIRE OFFICIALS ABOUT RESTRICTIONS AND INSTALLATION INSPECTION IN YOUR AREA.
- USE LISTED 6 in. (150 mm) DIAMETER MINIMUM SINGLE OR DOUBLE WALL CONNECTORS WITH PREFABRICATED CHIMNEYS SUITABLE FOR SOLID FUELS OR MASONRY CHIMNEY.
- SEE LOCAL BUILDING CODE AND MANUFACTURER'S INSTRUCTIONS FOR PRECAUTIONS REQUIRED FOR PASSING A CHIMNEY THROUGH A COMBUSTIBLE WALL OR CEILING.
- DO NOT PASS CHIMNEY CONNECTOR THROUGH COMBUSTIBLE WALL OR CEILING.
- DO NOT CONNECT THIS UNIT TO A CHIMNEY SERVING ANOTHER APPLIANCE.
- USE WITH WOOD ONLY. DO NOT USE OTHER FUELS.
- OPERATE ONLY WITH DOOR CLOSED, OPEN FEED DOOR TO FEED FIRE ONLY.
- DO NOT OBSTRUCT THE SPACE UNDER THE STOVE.
- DO NOT USE GRATE OR ELEVATE FIRE.
- BUILD FIRE DIRECTLY ON HEARTH.
- DO NOT OVERFIRE; IF HEATER OR CHIMNEY CONNECTOR GLOWS, YOU ARE OVERFIRING.
- INSPECT AND CLEAN CHIMNEY FREQUENTLY, UNDER CERTAIN CONDITIONS OF USE, CREOSOTE BUILD-UP MAY OCCUR RAPIDLY.
- REPLACE GLASS WITH CERAMIC TYPE ONLY.
- INSTALL UNIT ON A NON COMBUSTIBLE MATERIAL EXTENDING AS SHOWN ABOVE ON THIS LABEL.
- COMPONENTS FOR MOBILE HOME INSTALLATION.
- OUTSIDE AIR KIT WITH A LISTED CONNECTOR (CAN: ULC S641; US: UL103) AND A LISTED COMPATIBLE CHIMNEY SYSTEM (CAN: ULC S629; US: UL103HT).

U.S. ENVIRONMENTAL PROTECTION AGENCY
CERTIFIED TO COMPLY WITH JULY, 1990 PARTICULATE EMISSION STANDARDS.
PHASE II



FABRIQUÉ AU CANADA



Produits d'Acier
NORDIC
Steel Products

MADE IN CANADA



ATTENTION

- CHAUD EN FONCTIONNEMENT.
- NE PAS TOUCHER, GARDER LES ENFANTS, LES VÊTEMENTS ET LES MEUBLES ÉLOIGNÉS.
- UN CONTACT AVEC LA PEAU PEUT OCCASIONNER DES BRÛLURES. VOIR LES INSTRUCTIONS.

CAUTION

- HOT WHILE IN OPERATION.
- DO NOT TOUCH KEEP CHILDREN, CLOTHING AND FURNITURE AWAY.
- CONTACT MAY CAUSE SKIN BURNS. SEE NAME-PLATE AND INSTRUCTIONS.

25 YEAR LIMITED WARRANTY

IMPORTANT: THIS WARRANTY IS VALID ONLY IF THE WARRANTY CARD HAS BEEN DULY FILLED AND RETURNED TO NORDIC STEEL PRODUCTS INT. WITHIN 30 DAYS, OF THE DATE OF PURCHASE

Note: Each complaint must be accompanied by proof of purchase

Nordic Steel Products Int. offers to the original purchaser of a Nordica wood stove, a limited warranty of twenty-five years from the date of purchase of the wood stove, against any defects in materials or workmanship. This warranty is conditional with a normal use and maintenance of the unit.

However, this warranty is cancelled if the wood stove was not installed properly according to the instructions in the installation manual provided with the unit. Thus it does not cover the damage following improper use of the product.

LIMITS OF THE WARRANTY

1. During the first year of the limited warranty, Nordic Steel Products Int. **will provide, without cost,** replacement parts proving to be defective and will **assume the reasonable costs of labour** necessary to carry out these replacements. However, an authorized agent of Nordic Steel Products Int must approve any replacement of parts beforehand. The labour expense should not exceed the retail price of the replaced parts.
2. During the second through the fifth year of limited warranty, Nordic Steel Products Int. **will provide, without cost,** the replacement parts proving to be defective, **except for the parts described below.** Moreover Nordic Steel Products Int. **will not assume any labour costs for the replacement of the guaranteed parts incurred**

The following parts are covered by the warranty for one **(1)** year.

1-Fan 2-Glass

The following parts are covered by the warranty for three **(3)** months;

1-Refractory stone

3. The following parts are not covered by the warranty:
 - 1- **The rusting of paint or gold caused by humidity or condensation**
4. During the sixth through the twenty-fifth year of the limited warranty, Nordic Steel Products Int. **will provide the spare parts (if possible) up to 50% of the retail price,** except for the parts mentioned above Nordic Steel Products Int will not be responsible for the labour expense associated with replacement work.

Our representatives can in no way alter the present warranty.

The warrantor does not make any guarantee, express or implicit, written or verbal, besides those specified in this **25** years limited warranty. The duration of any warranties, including those of merchantability and manufacturing for a particular purpose, is limited to 25 years from the date of purchase.

The remedy for damage due to a defective product covered by this warranty is limited to replacement of the defective parts. It does not include any incidental, consequential damage or expenses relating to the product, including damage to property. **Nordic Steel Products Int. assumes no liability in the event of a back drafting problem resulting from a negative pressure of the property caused by a heating, ventilation, air exchanger system or any structural component that can cause this problem.**

NORDICA WARRANTY CARD

Complete this form
And return by mail

TRADITION 1600 & 2100

First name: _____ Last name: _____

Address : _____

City : _____ Province _____ Postal Code : _____ Tel. - -

Name of store _____ City of store _____ Province _____

Date of Purchase	Model	Color		
- -	Tradition 1600	Black	Blue	
	Tradition 2100	Green	Brown	Grey

Serial # WH-

1-Application	2-Area of installation	3-Principal use of heating
Renovation	Living room	Electricity
Stove improvement	Basement	Gaz
Other _____	Other _____	Wood

4-Do you own another wood stove? **Yes** **No**

5-What uses will your wood stove be for?

Principal source of heat

Auxiliary source of heat (in case of emergency)

Autres : _____

6-What reason motivated your choice?

Price

Quality

Efficiency

Other _____

7-What other brand of wood stove have you thought of before purchasing? _____

Nordica is so confident in the material and workmanship's quality of each unit, that we offer a reliable and complete warranty to you. Please see your instruction manual or your retailer for more information..