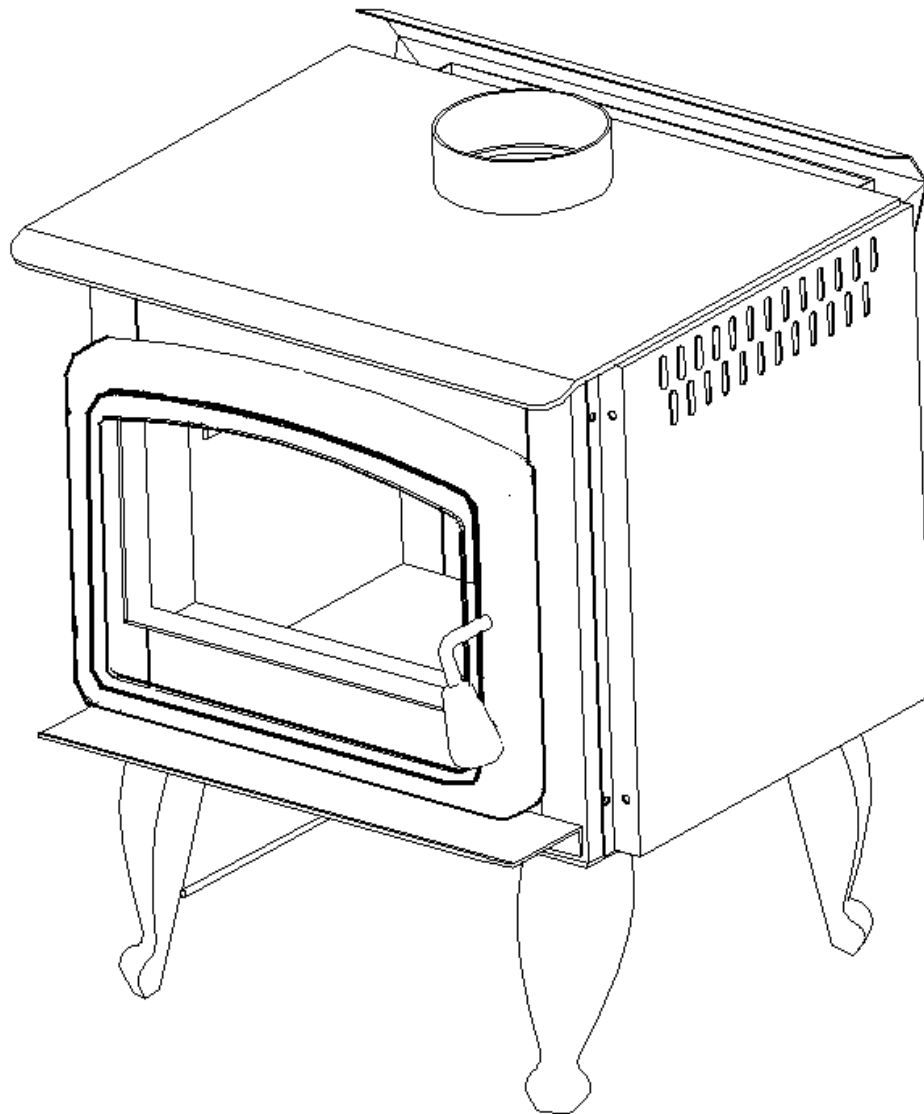


# RUSTIC 1600 & 2100 MANUAL



## **Nordic Steel Products Int.**

11750, Philippe-Panneton

Montréal, Québec, H1E 4G4

Toll Free 1-888-494-4522

Fax : (514) 494-4521

🌐 [www.nordicfireplaces.com](http://www.nordicfireplaces.com)

✉ [info@nordicfireplaces.com](mailto:info@nordicfireplaces.com)

# TABLE OF CONTENTS

	Page
Introduction	1
Wood Stove Dimensions	1
Warning	2
Creosote	2
Wood	2
Lighting	2
Glass	3
Glass replacement	3
Refractory Brick Replacement	4
Maintenance	5
Chimney Maintenance	5
Ashes	5
Expansion noises	5
Security Requirements	6
Combustible Materials	6
Installation in Mobile Home	6
Type of chimney	7
Chimney	7
Chimney minimum height	7
Fresh Air Intake and back drafting	8
Chimney fire	9
Smoke Detector	9
Outside Air Intake installation	9
Standard installation	10
Parts description	11
Floor protection	11
Installation drawings	12-13
Rating plate	14
Warranty	15
Warranty Card	16

## **INTRODUCTION**

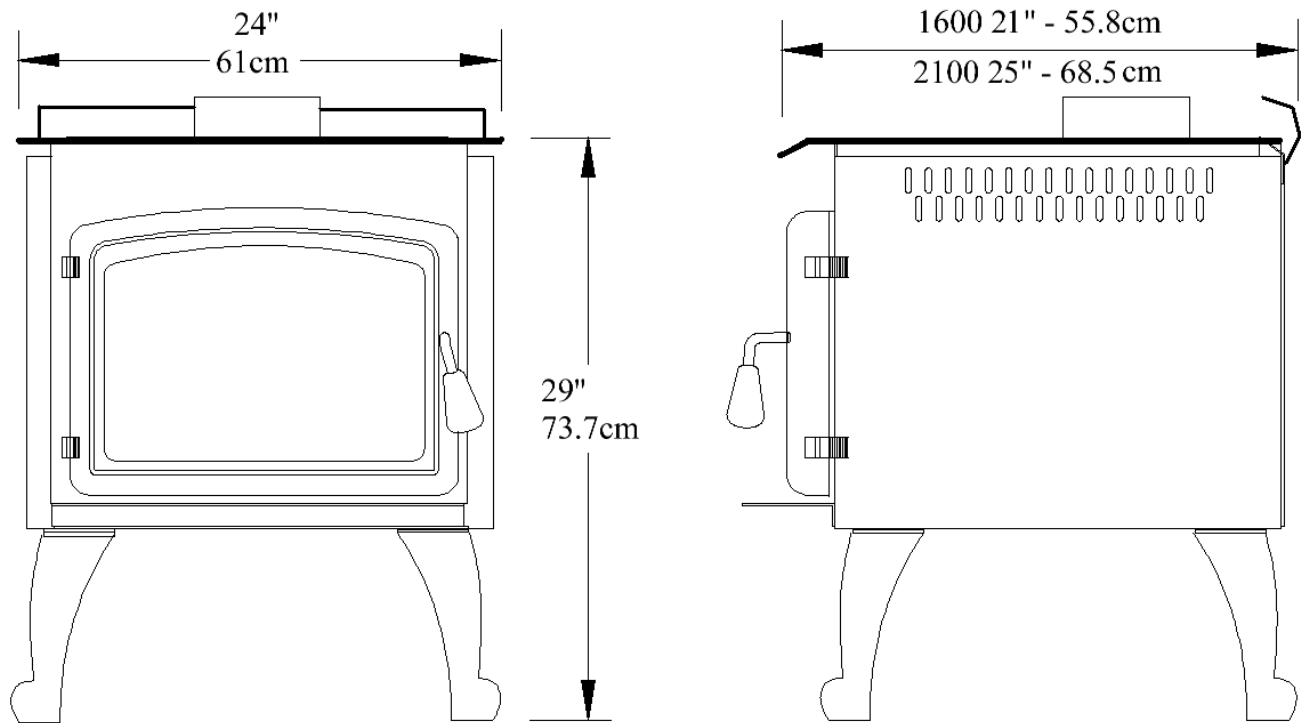
Please read carefully all the information given in this instruction manual and keep it for reference. It contains all the necessary information for installation and a sure and efficient use of the Rustic 1600 & 2100 stove.

Before installing the stove, consult the local authorities to obtain a construction permit as well as taking note of all lawful requirements in force. In many cases, a construction permit is necessary.

The equipment's installation will be made according to rules of authority having jurisdiction on Warnock Hersey 'Code of installation for wood heating equipment. (CAN/CSA B365)

The choice of location of the stove is very important. Preferably, choose the most central part of the house, so that heat is distributed equally. Never install your stove near a door, window or staircase in order not to block them in the event of fire.

## **STOVE DIMENSIONS**



**DIMENSIONS**

## **WARNING**

It is prohibited to use gas, oil or other inflammable liquids to ignite the fire.

Never use your stove with light fuels, such as draining oil, naphtha, gasoline or engine oil. The fire might get out of control and may cause a chimney fire.

During combustion, the stove walls become very hot, do not touch them.

Keep the door closed when the stove is in use, with the door open smoke can be released (carbon monoxide) from your stove and you can lose control of the flames.

If the stove is installed in the basement on a cement floor, with unfinished walls and ceiling joists, the efficiency will be affected (up to 75%) due to an ambient coolness too high.

## **CREOSOTE**

When wood burns slowly, it produces tar and other organic vapours, when associated with moisture, creosote forms. The creosote vapour condenses in a chimney pipe relatively cooled by a slow fire. It results in an accumulation of creosote inside the pipe.

When burning creosote forms a blazing fire.

It is preferable to make small brisk fires rather than large smouldering ones. This will enable you to keep the chimney and glass clean.

It is important to inspect the chimney or clean it periodically.

## **Wood**

Avoid using green wood to slow down combustion. This causes the formation of excessive soot and creosote deposit in the chimney. It may cause a chimney fire. An accumulation of more than 3mm of creosote is sufficient to proceed to the cleaning of the chimney in order to reduce the risks of a chimney fire.

It is important to burn seasoned wood to obtain a better quantity of heat per cordwood.

Burn reasonable loads, do not overload the stove and ensure that the logs are placed in order not to fall against the glass, or to burn too close to the glass.

Use seasoned wood only. Note that **6-12** months are needed for drying to have seasoned wood of **15 to 20 %** of moisture.

→ **Important:** Do not store wood near stove.

## **LIGHTING**

Lighting a good sharp fire is necessary. Introduce into the outer firebox a small quantity of old ruffled papers and cover them with seasoned kindling. Open the damper keys (located at the center, behind the upper shutter) and light the fire. As soon as the fire is activated, add larger pieces of wood and close the door. When the stove is hot do not touch the handle with bare hands.

At the beginning of lighting open the air register input (lever located at the bottom of the ash shelf) so that the air is not driven back in the stove, it is very important to consider a good air flow in the area.

The combustion controls were specially designed to allow an air intake of 10% when they are completely closed.

## **GLASS**

Never slam the door or strike the glass. When you close the door, ensure yourself that the logs are placed in order not to fall against the glass or to burn too close to the glass.

Never clean the glass with abrasive cleaners. The scratches could be transformed into cracks and glass could break. Never try to clean the hot glass when the stove is on. You can find the cleaning products at your retailer.

Never use inflammable products which can cause an explosion.

Inspect the glass regularly in order to detect any cracks. If you see a crack, extinguish fire immediately and return the door to your retailer to replace the glass before re-using your stove. Never use your stove if the glass is broken.

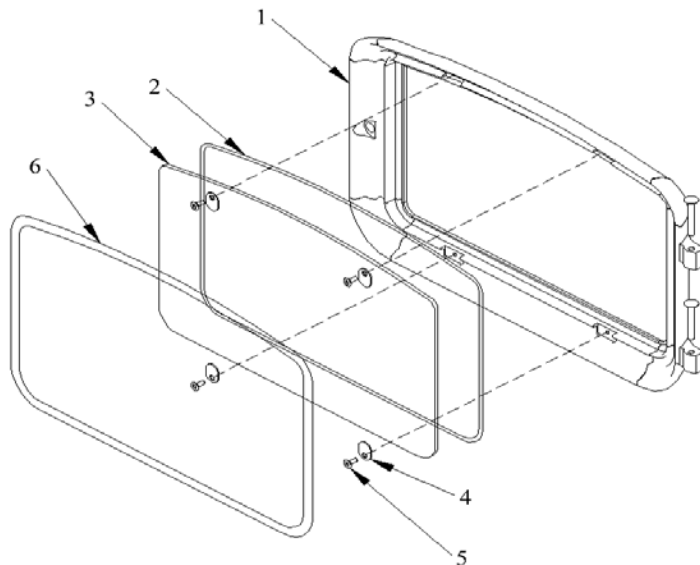
One should never replace the glass by another material. If needed, you must replace it with another glass of the same size that you can get from your retailer.

## **GLASS REPLACEMENT**

Directions:

**Handle the glass with precaution in order not to cut yourself.**

- 1) Cast iron door.
- 2) 3/16 gasket.
- 3) 10 x 16 ½ arched ceramic glass.
- 4) Support bracket.
- 5) Nuts.
- 6) ½ gasket.
- 7) You can purchase the glass from your retailer or from: **Nordic Steel Products Int.**



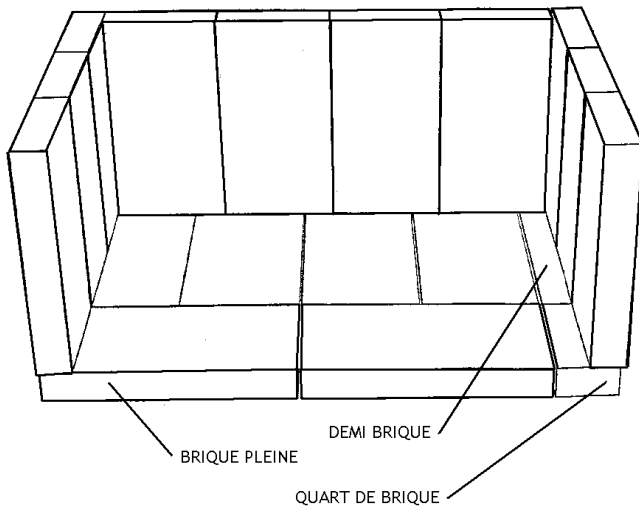
## REFRACTORY BRICK REPLACEMENT

Do not use the stove if a brick is missing or broken.

If a refractory brick is broken replace it by a similar one.

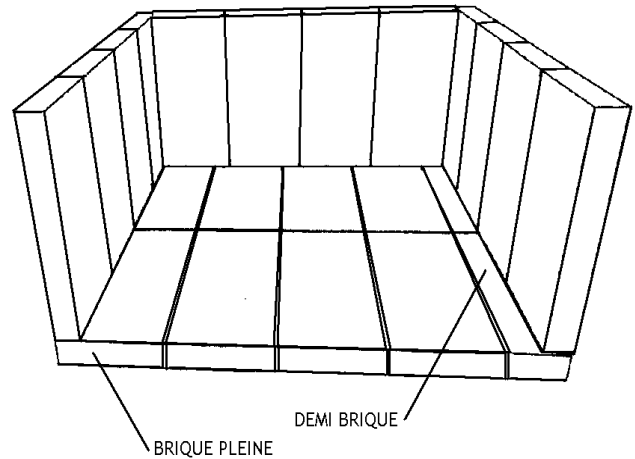
1- You can purchase the refractory brick at your retailer or from **Nordic Steel Products Int.**

### RUSTIC 1600 BRICKS



16 bricks  $4 \frac{1}{2} \times 9 \times 1 \frac{1}{4}$   
1 brick  $2 \frac{1}{4} \times 9 \times 1 \frac{1}{4}$   
1 Brick  $2 \frac{1}{4} \times 4 \frac{1}{2} \times 1 \frac{1}{4}$

### RUSTIC 2100 BRICKS



20 bricks  $4 \frac{1}{2} \times 9 \times 1 \frac{1}{4}$   
2 bricks  $2 \frac{1}{4} \times 9 \times 1 \frac{1}{4}$

## **MAINTENANCE**

### **Door**

Before heating the stove for the first time it is necessary to remove all the labels and wash the door with soapy water (soft soap). Because, the slightest mark on the door will remain forever when heating your stove.

Clean your stove regularly by removing the ashes. Then, deposit the ashes in a steel container with a tight lid. This container should not have any other type of waste in it.

The door and gasket must always be clean and in good condition. Perhaps for an intensive use, it will be necessary to replace the door's joint if it loses its elasticity. Check the door's sealing periodically; a damaged or used joint must be replaced immediately. Contact the nearest store for spare parts.

Note that solid fuel stoves must be cleaned frequently because an accumulation of soot, creosote and ashes can be form. Directions must be given concerning the measures to be taken if there is chimney fire due to an accumulation of soot or creosote.

## **CHIMNEY MAINTENANCE**

It is important to inspect the chimney or clean it periodically.

It is necessary to have the chimney cleaned after an accumulation of 3 mm of creosote.

After two months of usage, it would be preferable to have the chimney cleaned as well as to dismantle the pipe of the stove and remove the soot and creosote.

Before beginning each heating season, check the interior and exterior of the stove and the chimney in order to detect any defect or deterioration.

To reduce the risks of chimney fires, check your chimney by regularly inspecting it in order to check the accumulation of creosote. To reach it, unscrew the hat. A wood or plastic brush is recommended to avoid scratches on the internal wall

## **ASHES**

Remove ashes only when the stove and ashes are cold. Deposit ashes in a metal container with a tightly fitting lid.

Do not keep ashes in the house because they release carbon monoxide and other harmful products. Do not place other waste materials in the metal ash container.

Place the ashes well away from all combustible materials, pending final disposal. Ashes remain hot during days and could cause a fire, they should be retained in the container until all cinders have thoroughly cooled.

Do not deposit ashes in cardboard box.

## **EXPANSION NOISES**

Noises of expansion and contraction during the heating cycle and cooling are normal phenomena. Thus it is not necessary to worry.

## **SAFETY REQUIREMENTS**

- A. Keep the children away from the stove when it is on.
- B. This stove was designed to burn wood in reasonable quantity. Avoid large fires which could damage the stove. Do not burn wet or green wood, wood containing salt, plywood or melamine.
- C. It is prohibited to use inflammable liquid to start or activate a fire. Keep those products away from the heat source.
- D. When the stove is used for the first time, make small fires in order to allow the refractory bricks to solidify themselves.
- E. During these first fires, the stove's paint can release odour and smoke. Open a window to decrease these disturbances. It has also been proven necessary to open a window in the case of an airtight house or when a ventilation appliance is in function.
- F. When fire is extinguished and the stove has cooled off, close the damper key and the combustion control key until the next use of your stove.
- G. If you must leave the stove lit without monitoring, be sure that the door is well closed. Leave the register open.

## **COMBUSTIBLE MATERIALS**

Note: The additional logs, curtain and furnishing must be kept at a minimum distance of 48" (1220 mm) from the stove. It is recommended to heat the chimney in order to avoid the risk of smoke. With this in mind, use an ignited newspaper and keep it in the direction of the chimney.

## **MOBILE HOME INSTALLATION**

Rustic stoves models 1600 or 2100 are approved for mobile homes. They are easy to install and must be equipped with an exterior air input system.

- 1- The apparatus must be fixed on the ground by making two holes in bottom of the stove.
- 2- One should never install this unit in a bedroom.
- 3- This unit must be installed only with an approved Chimney 2100 according to standard ULC S629 in Canada and UL 103HT in the United States.
- 4- Before placing the unit in the chosen area you must be sure that the structure of the house is sufficiently solid the stove and chimney's weight.



## **TYPE OF CHIMNEY**

The type of chimney will have a 6" (152 mm) minimal distance and be approved for residential use. (Canada ULC S629; UL 103HT in USA). The pipe should never cross an attic, between the roof, a wall cupboard or any other contained space, just as a floor or a partition of combustible materials.

**To continue installation please refer to: the manufacturer's manual of the selected chimney.**

## **CHIMNEY**

The stove should not be connected to any other distribution system: such as incinerator, heating system or ventilation system.

This unit requires a masonry chimney or a certified prefabricated chimney 2100, and its components must conform to the Canadian standards and having appropriate dimensions.

If the chimney is a masonry one, we recommend you have it inspected and repaired as needed. A chimney with a stainless interior (liner) may be necessary to reduce the diameter to a more effective dimension.

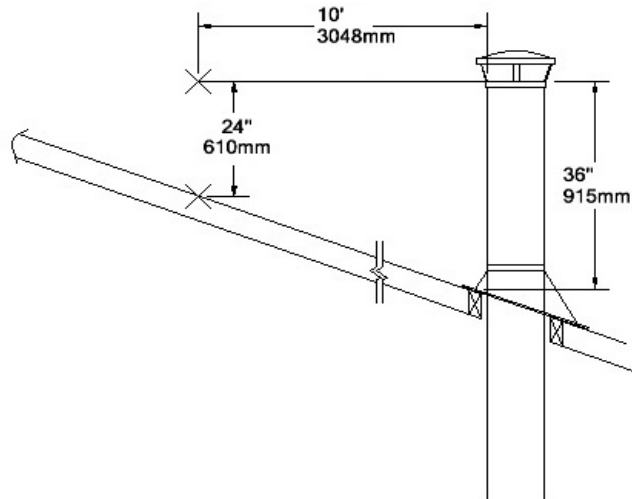
To obtain a more suitable draft, the top of the chimney must be 3' higher than its exit point from the roof and must be at least 2' higher than the highest roof top point within a radius of 10'. See image.

The chimney pipes must never pass through an attic, cupboard, closet or other area, or a floor, ceiling, wall or partition made of combustible materials.

For the stove's connection to the chimney, choose a 24 gauges sheet pipe. Make sure that the diameter of the pipe is equal to the diameter of the connection. (Never use a coated sheet).

## **CHIMNEY MINIMUM HEIGHT**

The chimney must extend at least 3' (915 mm) past its point of contact with the roof and must be at least 2' (610 mm) higher than any walls, roofs or buildings in a 10' (3050 mm) radius. If the chimney exceeds the roof by 5' (1525 mm) or more, it must have a chimney brace.



## **FRESH AIR INTAKE & BACK DRAFTING**

A Rustic 1600 or Rustic 2100 stove well installed should not produce any smoke in the house. If the stove produces smoke, it will probably be for one of the following reasons :

- 1) The external installation of the chimney is defective or incorrect, engaging in an air return problem and, consequently difficult lightings.
- 2) The heating of the chimney is insufficient. Not to forget that the hotter the stove is, the more the chimney will intake smoke.
- 3) The door or the air register input were closed again too quickly. The contribution of air is essential with the maintenance of combustion.
- 4) If the area is too airtight or the house presents a negative pressure and it does not have an external air intake, the contribution of air to the stove will be more difficult than normal. Temporarily open a window near the stove to increase it.
- 5) Any ventilator (cook top exhaust fan, bathroom ventilator, central vacuum cleaner or drier) intakes the air towards outside may create a negative pressure in the house. Close them or open a window near the stove to regulate this problem.
- 6) Wet wood releases more smoke while burning than seasoned wood. The wetter the wood is the less heat it releases, the more it produces creosote. If the wood burnt is very wet, have the chimney inspected every month that the stove is in use.
- 7) Make sure that the chimney is reasonably clean and free of any obstruction.
- 8) Check if the chimney is sufficiently high: a minimum of 3' (914mm) above its junction with the roof (see page 7). If not, add additional lengths of duct, which will increase the chimney's draft and reduce the smoke return tendency.
- 9) A chimney joined to an external wall (see page 11 drawing on the right-hand side) without coating may often cause problems. Open a window near the stove, heat the chimney while presenting paper in the shape of a torch in the opening or by crumpling several newspapers in the stove, put the fire at 3 or 4 different places, hold the door half open to have a more active fire in the stove, then, during this time, the chimney will be heated more quickly.
- 10) Always remove the surplus of ashes before lighting a fire. Maintain a thickness of ashes to 254mm (1 inch) to optimize combustion and maximize the duration of fire.

## **CHIMNEY FIRE**

Communicate with the municipal or provincial fire prevention services to obtain information on how to control chimney fires. If a chimney fire is declared, they know exactly the measures to take.

If you suspect the existence of a chimney fire, it is recommended to:

Close the door and the air intake key on the stove.

Alert all the family members.

Call the fire department if you need assistance.

Try to extinguish or control the fire with a dry extinguisher, baking soda, sand or ashes. Never use salt because it is corrosive or water because this may cause a vapour explosion.

Make sure that the sparks leaving the chimney do not ignite the roof.

Have your stove and chimney inspected by the fire protection organization before using it again.

## **SMOKE DETECTOR**

You should not install your smoke detector too close to your stove because it will go off when opening the door for loading.

## **AIR ENTRANCE**

It is prohibited to modify the air intake in any way.

## **OUTSIDE AIR INTAKE INSTALLATION**

The external air intake kit must be installed according to the following instructions:

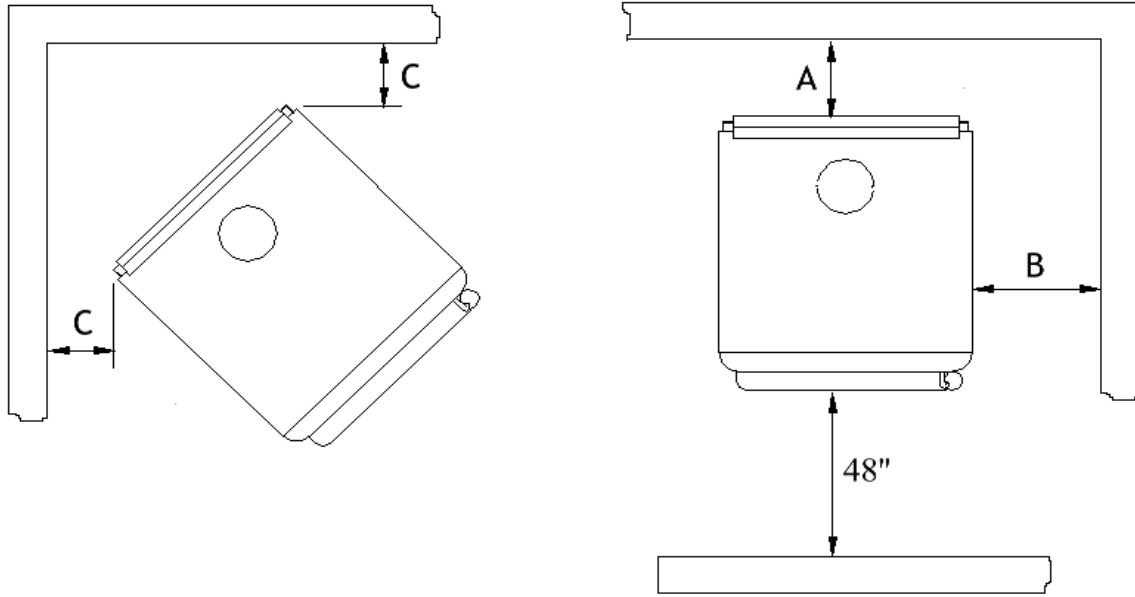
- 1. The maximum length of the duct must be of 20' feet. The length of the duct should be as short as possible.
- 2. The air register should not be installed more than 7' feet above the base of the stove.
- 3. Fresh air must come from the exterior of the house.
- 4. The air intake should not be fed by the air in the basement, attic or the garage.
- 5. The external register should not be able to intake the emissions of car, gas or other air outlets.
- 6. The register, if possible, must be located in such a way not to be blocked by snow or to be exposed to extreme winds.
- 7. The register and the duct can be installed either below or above the floor.

Make a 4 ¼" (110 mm) opening in the external wall of the house at the selected site. From the outside, place the external air intake in the opening (shutters opened downwards).

**STANDARD INSTALLATION**

The stove model Rustic 1600 or Rustic 2100 will be placed so that open space with any combustibile surface like ceiling and walls will be:

- 48" in the front
- B-16" on the sides
- A-50" from the ceiling



**Standard Installation**

**The releases can be reduced only by approval of the authorities.**

CLEARING OF COMBUSTIBLES

Single sided pipe

Figure # 1	UNIT	PIPE*
A- Back wall	14"	21.5
B- Sidewall	16"	28"
C- Corner	10"	19"
Ceiling	7	N/A

Double sided pipe

Figure # 2	UNIT	PIPES*
A- Back wall	6"	15"
B- Sidewall	16"	28"
C- Corner	6"	15'
Ceiling	7'	N/A

Operation conditions

Door	Closed
Fan	Optional **

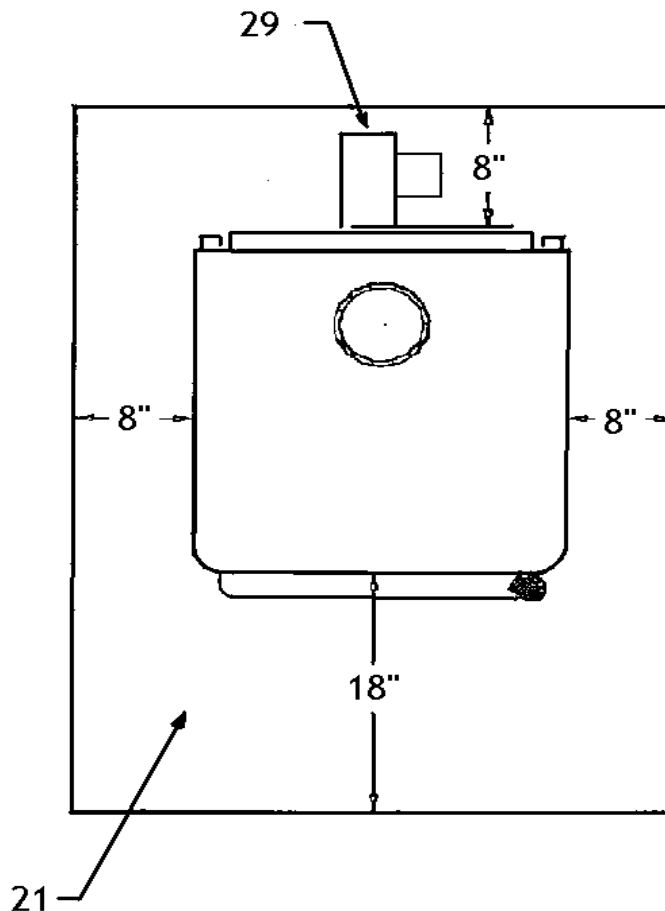
## PARTS DESCRIPTION

DESCRIPTION	PARTS
Floor protector (Non combustible)	21
6" single or double pipe	22
Certified Chimney 2100	23
Hat	24
Attic Radiation shield	25
Decorative Ceiling Support	26
Adaptor	27
Roof Plaster Filling	28
Fan	29

REFER TO PAGES 12-13

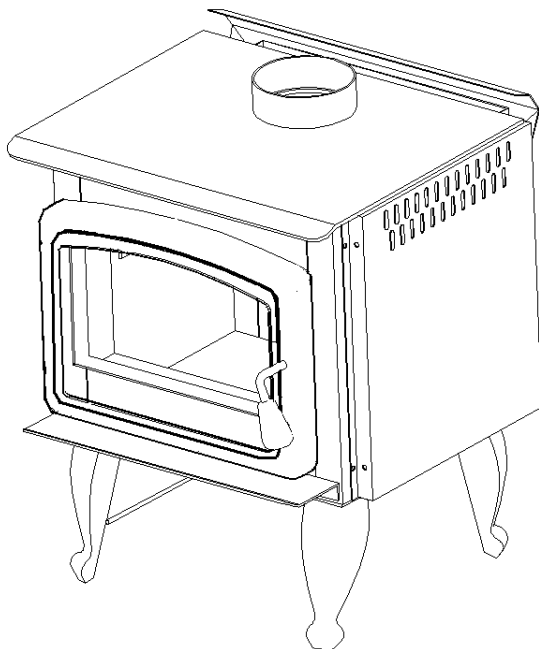
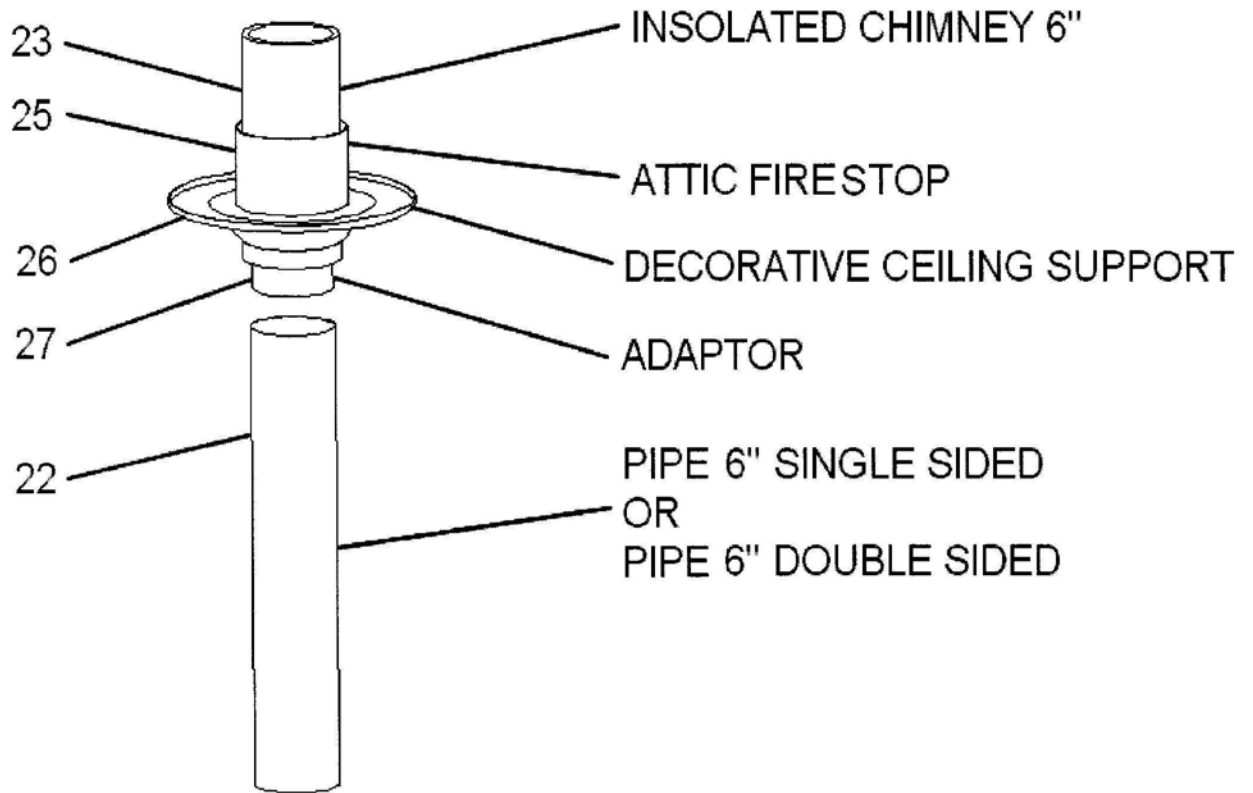
## FLOOR PROTECTION

If you have a concrete floor, you can install your stove directly on it. For the installation and conform use according to the manufacturer's instruction and the local building codes, the unit must be installed on a 3/8" (9.5 mm) thick concrete plate (Duroc) or an equivalent, extending 18" (457 mm) in front and 8" (203 mm) in the back and on the sides. See figure below.



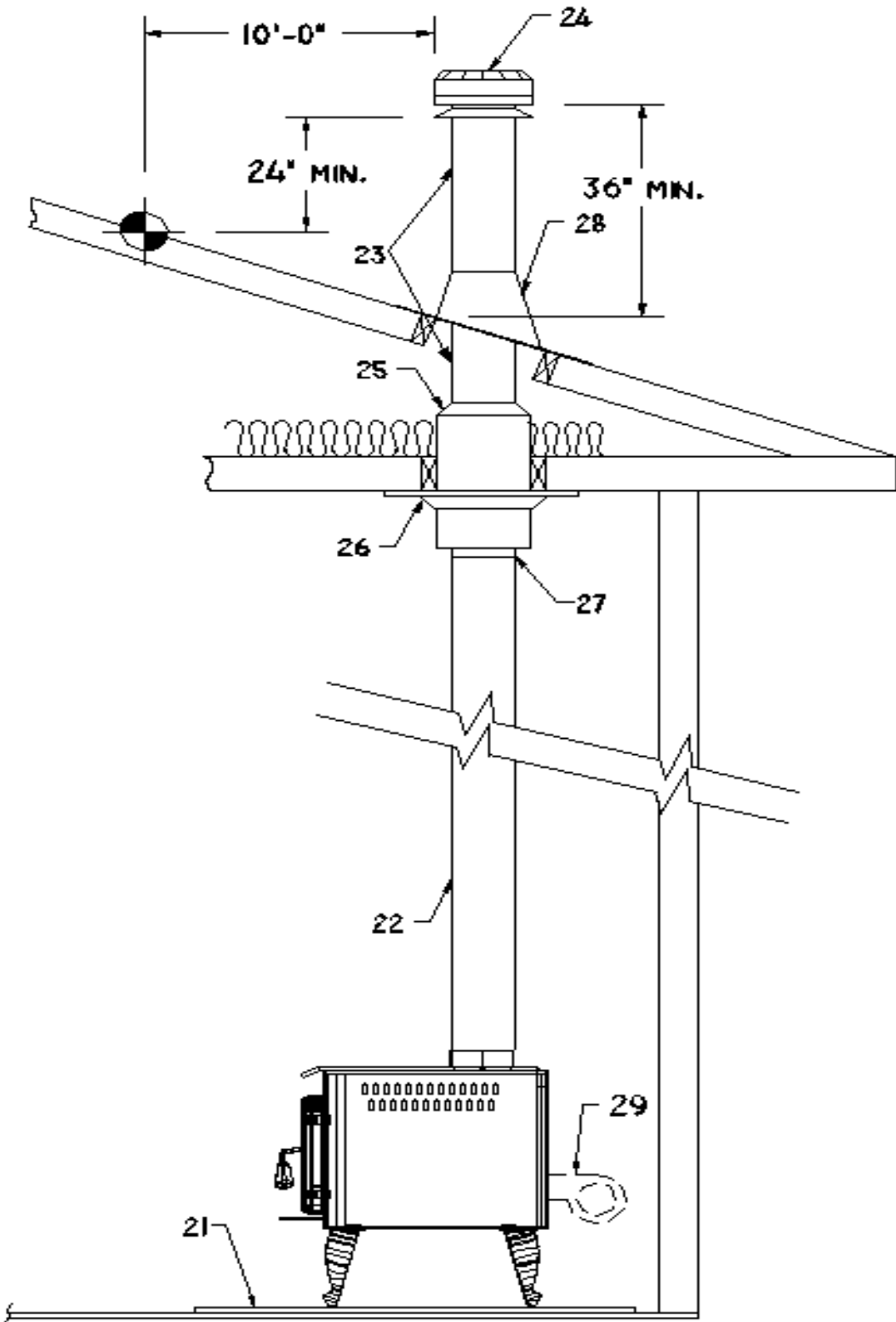
# STOVE AND CHIMNEY INSTALLATION DIAGRAM

REFER TO DESCRIPTION ON PAGE 11



**CHIMNEY INSTALLATION DIAGRAM**

REFER TO DESCRIPTION ON PAGE 11



# RATING PLATE



POÊLE À COMBUSTIBLE SOLIDE HOMOLOGUÉ  
LISTED SOLID FUEL SPACE HEATER

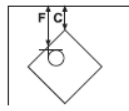
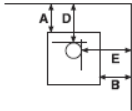
MODÈLE / MODEL: RUSTIC 1600  
RUSTIC 2100

NORMES D'ESSAIS  
TEST STANDARDS  
Juillet / July 2004

U.L.C. S627  
UL 1482

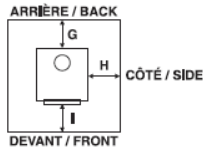
WH-

## DÉGAGEMENTS AUX COMBUSTIBLES / CLEARANCES TO COMBUSTIBLES



	INSTALLATION RÉSIDENNELLE ET MAISON MOBILE / RESIDENTIAL INSTALLATION AND MOBILE HOME								
	TUYAU À PAROI SIMPLE / SINGLE WALL CONNECTOR		TUYAU À PAROI DOUBLE / DOUBLE WALL CONNECTOR						
	(cm)	(po./in.)	(cm)	(po./in.)					
MUR ARRIÈRE	A: 36	14	D: 46	18	A: 15	6	D: 23	9	BACK WALL
MUR LATÉRAL	B: 41	16	E: 64	25	B: 41	16	E: 64	25	SIDE WALL
CORN	C: 25	10	F: 53	21	C: 15	6	F: 43	17	CORNER

## PROTECTION DE PLANCHER / FLOOR PROTECTION



	(cm)	(po. / in.)	
ARRIÈRE	G: 20	8	BACK
CÔTÉS	H: 20	8	SIDES
DEVANT	I: 46	18	FRONT

DISTANCE MINIMALE PLAFOND-PLANCHER: 84 po. (213 cm)  
MINIMUM FLOOR-CEILING DISTANCE: 84 po. (213 cm)

- INSTALLER ET UTILISER CONFORMÉMENT AU MANUEL D'UTILISATION DU FABRICANT.
- CONTACTER LES AUTORITÉS DE VOTRE LOCALITÉ AYANT JURIDICTION CONCERNANT LES RESTRICTIONS ET INSPECTIONS D'INSTALLATION.
- UTILISER DES TUYAUX D'ÉVACUATION À PAROIS SIMPLE OU DOUBLE HOMOLOGUÉS D'UN DIAMÈTRE MINIMUM DE 6 po. (150mm) AVEC UNE CHEMINÉE PRÉFABRIQUÉE APPROUVÉE POUR UTILISATION AU BOIS OU UNE CHEMINÉE DE MAÇONNERIE.
- VOIR LES CODES LOCAUX ET LE MANUEL D'INSTALLATION DU MANUFACTURIER POUR LE PASSAGE DE LA CHEMINÉE À TRAVERS UN MUR OU UN PLAFOND COMBUSTIBLE.
- NE PAS TRAVERSER UN PLAFOND OU UN MUR COMBUSTIBLE AVEC UN TUYAU D'ÉVACUATION.
- NE PAS RACCORDER CET APPAREIL À UNE CHEMINÉE DESSERVANT UN AUTRE APPAREIL.

- UTILISER AVEC LE BOIS SEULEMENT, NE PAS UTILISER D'AUTRES COMBUSTIBLES.
- N'OUVRIR LA PORTE QUE LORS DU CHARGEMENT.
- NE RIEN ENTREPOSER SOUS L'APPAREIL.
- NE PAS UTILISER DE GRILLES OU DE CHENÊTS POUR ÉLEVER LE FEU.
- PRÉPARER LE FEU DIRECTEMENT SUR L'ÂTRE.
- NE PAS SURCHAUFFER, SI L'APPAREIL OU LE TUYAU ROUGIT, IL Y A SURCHAUFFE.
- INSPECTER ET NETTOYER LA CHEMINÉE FRÉQUEMMENT, DANS CERTAINES CONDITIONS, L'ACCUMULATION DE CRÉOSOTE PEUT ÊTRE RAPIDE.
- REMPLACER LA VITRE AVEC UN VERRE DE CÉRAMIQUE SEULEMENT.
- INSTALLER L'APPAREIL SUR UNE PLAQUE NON COMBUSTIBLE TEL QU'INDIQUÉ SUR L'ÉTIQUETTE.

COMPOSANTES POUR INSTALLATION EN MAISON MOBILE  
• NÉCESSAIRE D'APPORT D'AIR EXTÉRIEUR AVEC TUYAU D'ÉVACUATION HOMOLOGUÉ (CAN: ULC S641; É-U.: UL103) ET UNE CHEMINÉE PRÉFABRIQUÉE COMPATIBLE HOMOLOGUÉE (CAN: ULC S629; É-U.: UL103HT).

- INSTALL AND USE ONLY IN ACCORDANCE WITH THE MANUFACTURER'S INSTALLATION AND OPERATING INSTRUCTIONS.
- CONTACT LOCAL BUILDING OR FIRE OFFICIALS ABOUT RESTRICTIONS AND INSTALLATION INSPECTION IN YOUR AREA.
- USE LISTED 6 in. (150 mm) DIAMETER MINIMUM SINGLE OR DOUBLE WALL CONNECTORS WITH PREFABRICATED CHIMNEYS SUITABLE FOR SOLID FUELS OR MASONRY CHIMNEY.
- SEE LOCAL BUILDING CODE AND MANUFACTURER'S INSTRUCTIONS FOR PRECAUTIONS REQUIRED FOR PASSING A CHIMNEY THROUGH A COMBUSTIBLE WALL OR CEILING.
- DO NOT PASS CHIMNEY CONNECTOR THROUGH COMBUSTIBLE WALL OR CEILING.
- DO NOT CONNECT THIS UNIT TO A CHIMNEY SERVING ANOTHER APPLIANCE.

- USE WITH WOOD ONLY. DO NOT USE OTHER FUELS.
- OPERATE ONLY WITH DOOR CLOSED, OPEN FEED DOOR TO FEED FIRE ONLY.
- DO NOT OBSTRUCT THE SPACE UNDER THE STOVE.
- DO NOT USE GRATE OR ELEVATE FIRE.
- BUILD FIRE DIRECTLY ON HEARTH.
- DO NOT OVERFIRE; IF HEATER OR CHIMNEY CONNECTOR GLOWS, YOU ARE OVERFIRING.
- INSPECT AND CLEAN CHIMNEY FREQUENTLY, UNDER CERTAIN CONDITIONS OF USE, CREOSOTE BUILD-UP MAY OCCUR RAPIDLY.
- REPLACE GLASS WITH CERAMIC TYPE ONLY.
- INSTALL UNIT ON A NON COMBUSTIBLE MATERIAL EXTENDING AS SHOWN ABOVE ON THIS LABEL.

COMPOSANTS FOR MOBILE HOME INSTALLATION  
• OUTSIDE AIR KIT WITH A LISTED CONNECTOR (CAN: ULC S641; US: UL103) AND A LISTED COMPATIBLE CHIMNEY SYSTEM (CAN: ULC S629; US: UL103HT).

**U.S. ENVIRONMENTAL PROTECTION AGENCY**  
CERTIFIED TO COMPLY WITH JULY, 1990 PARTICULATE EMISSION STANDARDS.  
PHASE II



FABRIQUÉ AU CANADA



Produits d'Acier  
**NORDIC**  
Steel Products

MADE IN CANADA



## ATTENTION

- CHAUD EN FONCTIONNEMENT.
- NE PAS TOUCHER, GARDER LES ENFANTS, LES VÊTEMENTS ET LES MEUBLES ÉLOIGNÉS.
- UN CONTACT AVEC LA PEAU PEUT OCCASIONNER DES BRÛLURES. VOIR LES INSTRUCTIONS.

## CAUTION

- HOT WHILE IN OPERATION.
- DO NOT TOUCH KEEP, CHILDREN, CLOTHING AND FURNITURE AWAY.
- CONTACT MAY CAUSE SKIN BURNS, SEE NAME-PLATE AND INSTRUCTIONS.



# **25 YEAR LIMITED WARRANTY**

**IMPORTANT: THIS WARRANTY IS VALID ONLY IF THE WARRANTY CARD HAS BEEN DULY FILLED AND RETURNED TO NORDIC STEEL PRODUCTS INT. WITHIN 30 DAYS, OF THE DATE OF PURCHASE**

**Note:** Each complaint must be accompanied by proof of purchase

**Nordic Steel Products Int.** offers to the original purchaser of a Nordica wood stove, a limited warranty of twenty-five years from the date of purchase of the wood stove, against any defects in materials or workmanship. This warranty is conditional with a normal use and maintenance of the unit.

However, this warranty is cancelled if the wood stove was not installed properly according to the instructions in the installation manual provided with the unit. Thus it does not cover the damage following improper use of the product.

## **LIMITS OF THE WARRANTY**

1. During the first year of the limited warranty, Nordic Steel Products Int. **will provide, without cost,** replacement parts proving to be defective and will **assume the reasonable costs of labour** necessary to carry out these replacements. However, an authorized agent of Nordic Steel Products Int must approve any replacement of parts beforehand. The labour expense should not exceed the retail price of the replaced parts.
2. During the second through the fifth year of limited warranty, Nordic Steel Products Int. **will provide, without cost,** the replacement parts proving to be defective, **except for the parts described below.** Moreover Nordic Steel Products Int. **will not assume any labour costs for the replacement of the guaranteed parts incurred**

The following parts are covered by the warranty for one **(1)** year.

### **1-Fan 2-Glass**

The following parts are covered by the warranty for three **(3)** months;

### **1-Refractory stone**

3. The following parts are not covered by the warranty:
  - 1- **The rusting of paint or gold caused by humidity or condensation**
4. During the sixth through the twenty-fifth year of the limited warranty, Nordic Steel Products Int. **will provide the spare parts (if possible) up to 50% of the retail price,** except for the parts mentioned above Nordic Steel Products Int will not be responsible for the labour expense associated with replacement work.

Our representatives can in no way alter the present warranty.

The warrantor does not make any guarantee, express or implicit, written or verbal, besides those specified in this **25** years limited warranty. The duration of any warranties, including those of merchantability and manufacturing for a particular purpose, is limited to 25 years from the date of purchase.

The remedy for damage due to a defective product covered by this warranty is limited to replacement of the defective parts. It does not include any incidental, consequential damage or expenses relating to the product, including damage to property. **Nordic Steel Products Int. assumes no liability in the event of a back drafting problem resulting from a negative pressure of the property caused by a heating, ventilation, air exchanger system or any structural component that can cause this problem.**

# NORDICA WARRANTY CARD

COMPLETE THIS FORM  
AND RETURN BY MAIL

## RUSTIC 1600 & 2100

First name: \_\_\_\_\_ Family name: \_\_\_\_\_

Address \_\_\_\_\_

City : \_\_\_\_\_ Province \_\_\_\_\_ Postal Code \_\_\_\_\_ Tel. - -

Name of store \_\_\_\_\_ City of store \_\_\_\_\_ Province \_\_\_\_\_

Date of purchase	Model	Color		
- -	Rustic 1600	Black	Blue	
	Rustic 2100	Green	Brown	Grey

Serial No : WH-

---

### 1-Application

Renovation  
Improvement of stove  
Other \_\_\_\_\_

### 2-Area of installation

Living room  
Basement  
Other \_\_\_\_\_

### 3-Principal use of heating

Electricity  
Gas  
Wood  
Other \_\_\_\_\_

4-Do you own another stove? **Yes** **No**

5-What use will your stove be for?

Principal source of heat  
Auxiliary source of heat (in case of emergency)  
Other: \_\_\_\_\_

6-What reason motivated your choice?

Price  
Quality  
Efficiency  
Other \_\_\_\_\_

7-What other brand of stove have you considered before purchasing? \_\_\_\_\_

Nordica is do confidant in the quality of materials and workmanship of each unit, that we offer a reliable and complete warranty to you. Please see your instruction manual or your retailer for more information.