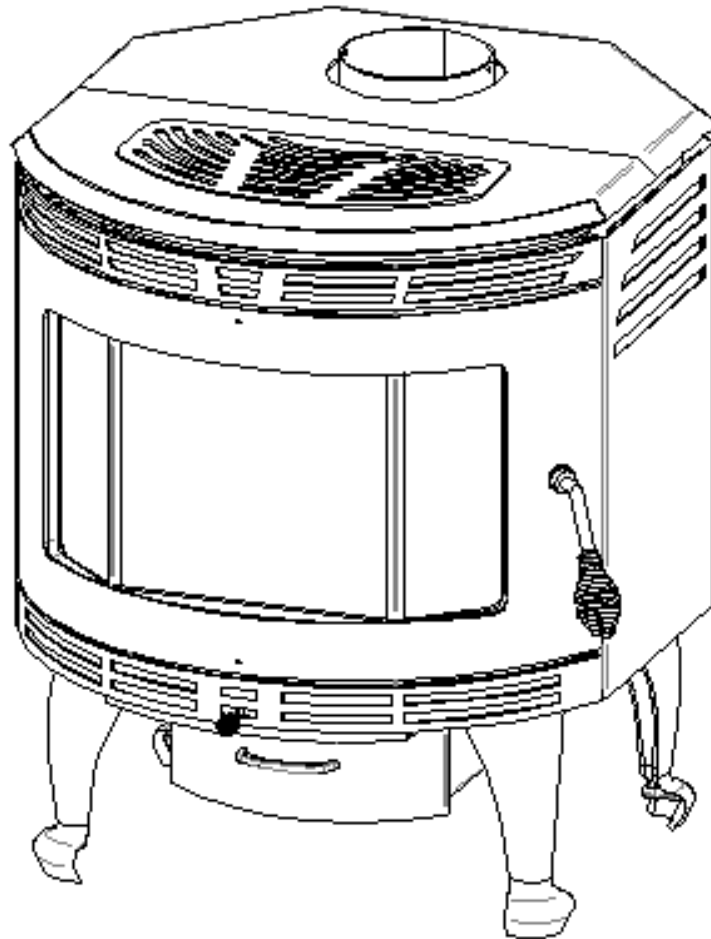


EVOLUTION

MANUAL



Nordic Steel Products Int.

11750, Philippe-Panneton
Montreal, Québec, H1E 4G4

☎ (514) 494-4522 • Toll free 1-888-494-4522

📠 (514) 494-4521

🌐 www.nordicfireplaces.com

✉ info@nordicfireplaces.com

TABLE OF CONTENTS

	Page
Introduction	1
Stove Dimension	1
Warning	2
Creosote	2
Wood	2
Lighting	2
Glass	3
Glass Replacement	3
Refractory Bricks Replacement	4
Maintenance	5
Chimney Maintenance	5
Ashes	5
Expansion Noises	5
Security Requirements	6
Combustible Materials	6
Installation in mobile home	6
Type of Chimney	7
Chimney	7
Minimum height of chimney	7
The contribution of fresh air & return of smoke	8
Chimney fire	9
Smoke Detector	9
External air intake installation	9
Standard Installation	10
Parts description	11
Floor protection	11
Stove and chimney installation diagram	12-13
Homologation Plate	14
Warranty	15
Warranty Card	16

INTRODUCTION

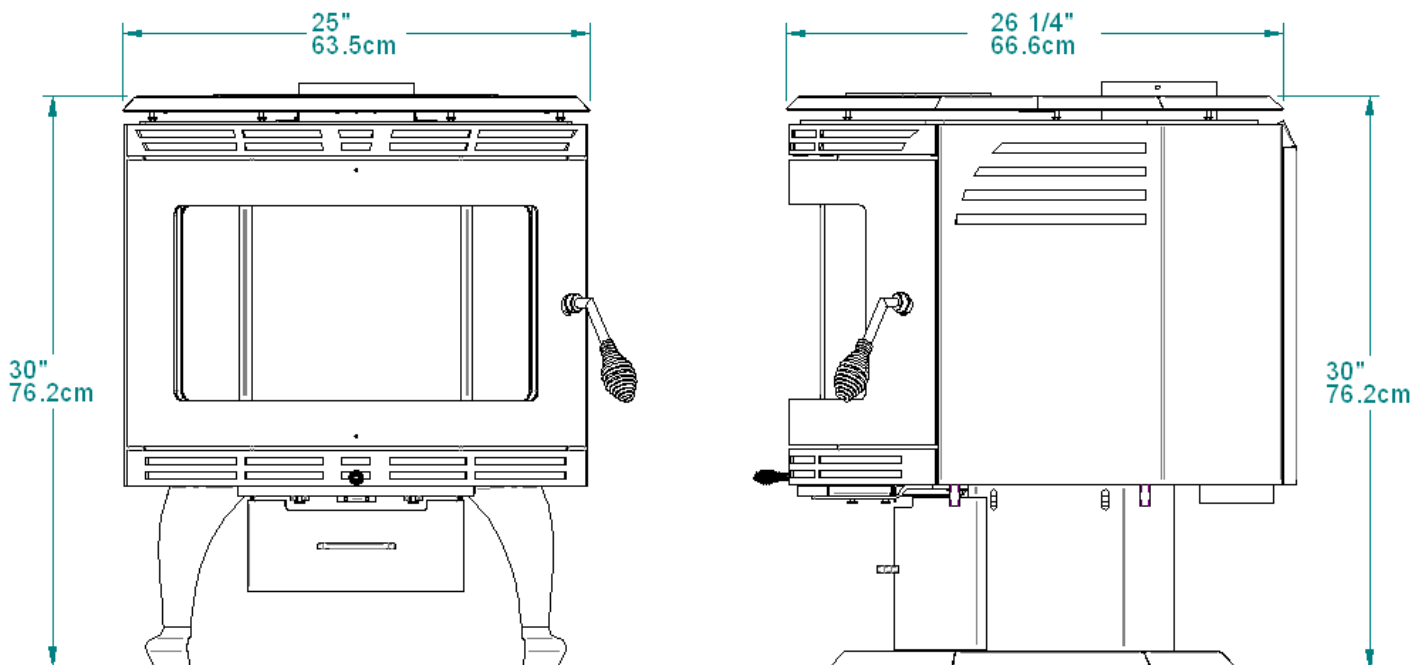
Please read carefully all continuous information in this instruction manual and preserve it for consultation. It contains all the necessary information to an installation and an efficient use of the Evolution.

Before installing the stove consult the local authorities to obtain a construction permit. Take note of all the lawful requirements into force. In most cases a construction permit is required.

The equipment installation will be made in accordance with the regulation authorities having jurisdiction on Warnock Hersey "Code of installation wood heating equipment". **(CAN/CSA B365)**

The choice of a site for the stove is very important. Preferably, choose the most central part of the house, so that heat is distributed evenly. Never install your stove near a door, window or staircase in order not to block them in the event of fire.

STOVE DIMENSIONS



WARNING

It is prohibited to use gasoline, oil or other flammable liquids to light a fire

Never use your stove as an incinerator to burn great quantities of light fuels such as oil waste, naphtha, and gasoline or engine oil. The fire might get out of control and may cause a chimney fire.

During combustion, the walls of the stove become very hot; do not touch them

Keep the door closed when the stove is in use because if you heat with the door open smoke can be released (carbon monoxide) from your apparatus and can involve the loss of control of the flame

CREOSOTE

When wood burns slowly, it produces tar and other organic vapours when, associated with moisture, forms creosote. The creosote vapour condenses in a chimney flue relatively cooled by a slow fire. It results an accumulation of creosote inside the pipe.

When burning, the creosote forms an extremely blazing hot fire.

It is preferable to make small brisk fires rather than large smouldering fires. This will enable you to keep the chimney and glass clean.

It is important to inspect the chimney or clean it periodically.

WOOD

Avoid using green wood to slow down combustion. This causes the formation of excessive soot and creosote deposit in the chimney. It may cause a chimney fire. An accumulation of more than 3mm of creosote is sufficient to proceed to the cleaning of the chimney in order to reduce the risks of a chimney fire.

It is important to buy seasoned wood to obtain a better quantity of heat per wood cord.

Place reasonable loads do not overload the apparatus and ensure that the logs are placed in order not to slam against the glass, or to burn too close to the glass.

Use seasoned wood only. Note that **6-12** months are needed for drying to have seasoned wood and quality equivalent to **15 to 20** % of moisture.

→ **Important:** Do not store the wood near the stove.

LIGHTING A FIRE

Lighting, a good sharp fire is necessary. Introduce into the outer firebox a small quantity of old ruffled papers and cover them with seasoned kindling. Open the damper key (Located at the center, behind the higher shutter) and light fire. As soon as fire is well taken, add pieces of wood a little larger and close the door. When the stove is hot, do not touch the handle with bare hands.

At the beginning of lighting open the air register input (Lever located at the bottom of the ash drawer) so that the air is not driven back in the stove, it is very important to foresee a good airflow in the area.

The combustion controls were especially designed to allow an air intake of 10% when they are completely closed.

GLASS

Never slam the door and never strike the glass. When you close the door, make sure that the logs are placed in order not to slam against the glass, or to burn to close to the glass.

Never clean the glass with abrasive products. The scratches could be transformed into cracks and the glass could break. Never try to clean the hot glass when the stove is in use. You will find cleaning products at your retailer.

Never use flammable products, which could cause an explosion.

Inspect the glass regularly in order to detect cracks. If you see a crack, extinguish the fire immediately return the door to your retailer to replace the glass before re-using your stove. Never use your stove if a glass is broken.

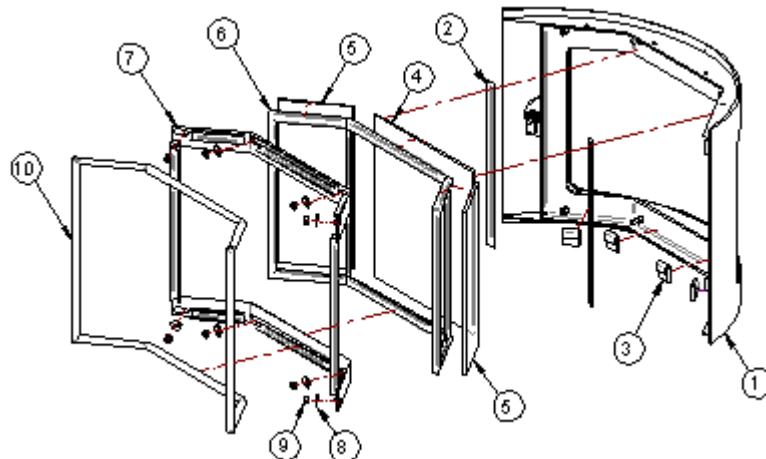
Never replace the glass by another material. If needed, you must replace it by another glass of the same size that you can get from your retailer or at **Nordic Steel Products Int.**

GLASS REPLACEMENT

Directions to be followed:

MANIPULATE THE GLASS WITH CAUTION TO AVOID CUTTING YOURSELF

- 1) Assembled welded door.
- 2) Glass corner's junction.
- 3) Glass support (to prevent them from coming down).
- 4) Center glass.
- 5) Side glasses.
- 6) Glass Outline.
- 7) Door's inside frame.
- 8) Washers.
- 9) Nuts.
- 10) 3/4" gasket.



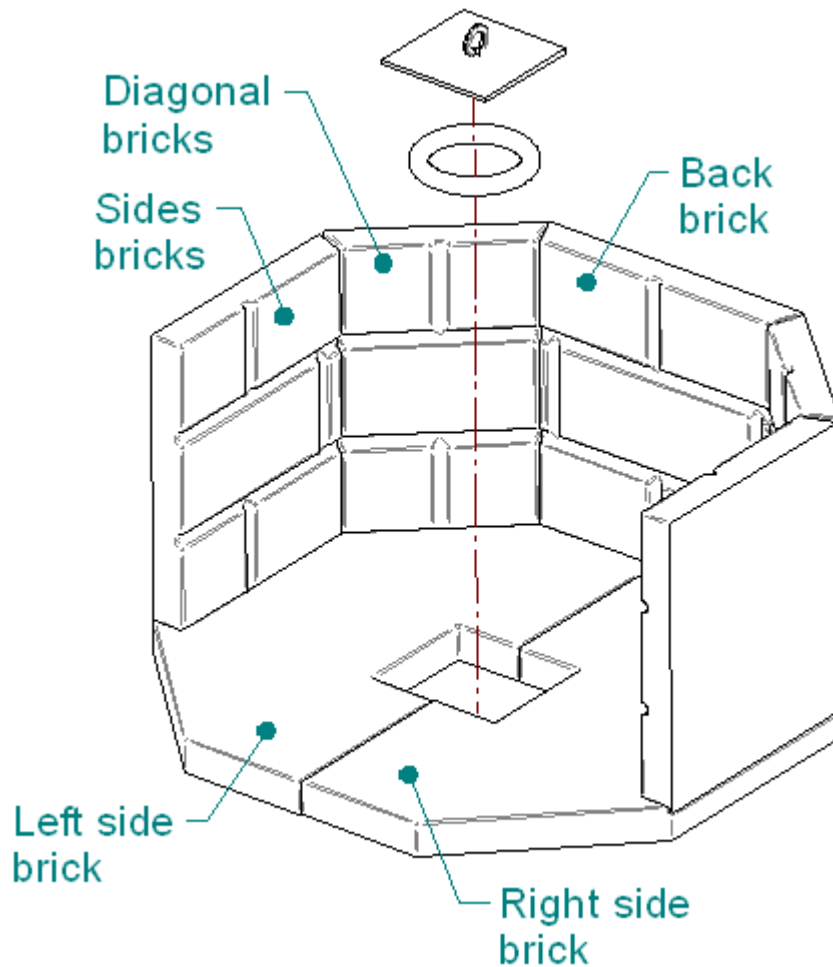
REFRACTORY BRICKS REPLACEMENT

Do not use the stove when there is a missing or broken refractory brick.

If a refractory brick is broken replace it by buying a similar one.

1-You can purchase replacement refractory bricks at your retailer or at **Nordic Steel Products Int.**

REFRACTORY BRICKS



MAINTENANCE

DOOR

Before heating the stove for the first time, it is necessary to remove all the labels and wash the door with soapy water (**soft soap**). Because, the least traces on the door will remain forever when heating your stove.

Clean your stove regularly by removing the ashes. Then, deposit ashes in a steel container provided with a tight lid. This container should not have any other type of waste in it.

The door and the gasket must always be clean and in good condition. Perhaps for an intensive use, it will be necessary to replace the door's joint if it loses its elasticity. Check the door's sealing periodically; a damaged or used gasket must be replaced immediately. Contact the nearest store for spare parts.

Note that solid fuel stoves must be frequently cleaned because an accumulation of soot, creosote and ashes can be formed. Directions must be given concerning the measures to be taken if there is a chimney fire due to an accumulation of soot or creosote.

CHIMNEY MAINTENANCE

It is important to inspect the chimney or clean it periodically.

It is necessary to clean the chimney after an accumulation of **3 mm** creosote.

After two months of continuous service, it would be preferable to clean the chimney and dismount the pipe of the stove to remove soot and creosote.

ASHES

- Remove ashes only when fire is extinguished and has cooled off.
- Deposit ashes in a metal container with a tight lid.
- Do not keep ashes in the house because they release carbon monoxide and other harmful products.
- Do not place them close to combustible materials. Ashes remain hot during days and could cause a fire.
- Do not deposit ashes in cardboard box.
- Before beginning each heating season, check the interior and exterior of the stove and the chimney in order to detect any defect or deterioration.
- To reduce the risks of chimney fires, check your chimney by regularly inspecting it in order to check the accumulation of creosote. To reach it, unscrew the hat. A wood or plastic brush is recommended to avoid scratches on the internal wall.

EXPANSION NOISES

Contraction and expansion noises during the heating/cooling cycle are normal phenomenon. It is not necessary thus to worry.

SECURITY REQUIREMENTS

- A.** Keep the children away from the stove when it is in use.
- B.** This stove was designed to burn wood in reasonable quantity. Avoid large fires, which could damage the stove. Do not burn wet or green wood, or wood that contains salt, plywood or melamine.
- C.** It is prohibited to use flammable liquid to begin or activate a fire. Preserve these products far from the heat sources.
- D** When the stove is used for the first time make small fires in order to allow the refractory bricks to solidify themselves.
- E.** During these first fires, the stove paint can release odour and smoke. Open a window to decrease these nuisances. It can also prove to be necessary to open a window in the case of a house built too hermetically or when an apparatus of ventilation is in function.
- F.** When fire is extinguished and the stove has cooled off, close the damper key and the fresh air control until the next use of your stove.
- G.** If you must leave the stove lit without monitoring, make sure that the door is well closed by doing it delicately. Leave the register open.

COMBUSTIBLE MATERIALS

Note: The additional logs, curtains and furnishing must be at a minimum distance of **48" (1220 mm)** of the stove. It is recommended to heat the chimney in order to avoid the risks of smoke. With this intention, uses ignited newsprint and maintain it in direction of the chimney.

INSTALLATION IN MOBILE HOMES

The Evolution stove models are approved for mobile home. They are easy to install and must be equipped with a surrounding air contribution kit.

- 1-** The apparatus must be fixed on the ground by using the two holes in the base of the stove.
- 2-** One should never install this apparatus in a bedroom.
- 3-** This apparatus must be installed only with an approved Chimney **2100** according to standard **ULC S629 Canada and UL 103HT** in the United States.
- 4-** Before placing the apparatus at the selected place make sure that the structure of the house is sufficiently solid for the weight of the stove and the chimney.

TYPE OF CHIMNEY

The type of chimney must have a minimal diameter of **6" (152 mm)** and must be approved for residential use (**Can.: ULC S629; EU. UL 103HT**) the evacuation duct must never pass through an attic, cupboard, closet or any other enclosed area, as well as floor, ceiling or a partition made of combustible.

To continue the installation of the chimney please refer to the chosen chimney manufacturer's manual.

CHIMNEY

The stove should not be connected to a distribution sheath: incinerator, heating or ventilation system.

This apparatus requires a masonry chimney or a certified (**2100**) prefabricated chimney and its components must be in conformity with the Canadian standard and having appropriate dimensions.

If the chimney is in masonry, we recommend having it inspected and repaired when needed. A chimney with a stainless liner may be necessary to reduce the diameter to a more effective dimension.

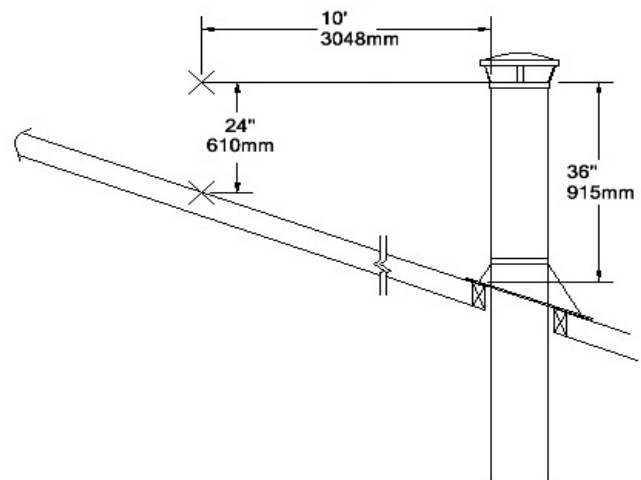
To help obtain a suitable draft, the top of the chimney must extend **3'** above the exit point of the roof and exceed at least **2'**, the highest point of the roof in a radius of **10'**. See figure at the bottom of the page.

The flue should never pass through an attic, cupboard, closet or any other enclosed area, or a floor, ceiling or a partition made of combustible materials.

For the connection of the stove to the chimney, choose a 24 gauge sheet pipe. Make sure that the bore is equal to the diameter of the connection. (Never use a coated sheet).

MINIMUM HEIGHT OF THE CHIMNEY

The chimney must extend at least **3' (915 mm)** past its point of contact with the roof and must be at least **2' (610 mm)** higher than any walls, roof or building in a radius of **10' (3050 mm)**. If the chimney exceeds the roof by **5' (1525 mm)** or more, it must have a chimney brace.



FRESH AIR INPUT & RETURN OF SMOKE

Evolution stove installed properly should not produce smoke in the house. If the stove continues to produce smoke, it will probably be for one of the following reasons:

- 1) The chimney's external installation is defective or incorrect, engaging in problems of return of air and, consequently, of difficult lightings.
- 2) The heating of the chimney is insufficient. Not to forget that the hotter the stove is, the more the chimneys will intake smoke.
- 3) The doors or the air register input were closed again too quickly. The contribution of air is essential with the maintenance of combustion.
- 4) If the area is too airtight or the house presents a negative pressure and it does not have an external air intake, the contribution of air to the stove will be more difficult than normal. Temporarily open a window near to the stove to increase it.
- 5) Any ventilator (cook top exhaust fan, bathroom ventilator, central vacuum cleaner or drier) that aspires the air towards outside can create a negative pressure in the house. Close them; open a window near the stove to regulate this problem.
- 6) Wet wood releases more smoke while burning than seasoned wood. The wetter the wood is, the less it releases heat and the more it produces creosote. If the wood burnt is very wet, inspect the chimney every month that the stove is in use.
- 7) Make sure that the chimney is reasonably clean and free of any obstruction.
- 8) Check if the chimney is sufficiently high: minimum of **914 mm (3pi.)** above its junction with the roof (**see figure page 7**). If not, add additional lengths of duct which will increase the chimney's draft and will reduce the tendency of smoke return.
- 9) The chimneys joined with an external wall (see page 10 drawings of right-hand side) without coating often present problems. Open a window near the stove, heat the chimney while presenting paper in the shape of torch in the opening or by crumpling several newspaper's pages in the stove, to light at **3** or **4** different places, hold the door half open for a more active fire in the stove, during this time, the chimney will be heated more quickly.
- 10) Always remove the surplus of ashes before lighting a fire. Maintain a thickness of ashes of **25, 4 mm (1in.)** for optimized combustion and to maximize the duration of fire.

CHIMNEY FIRE

Communicate with the municipal or provincial fires prevention services to obtain information on the way of controlling chimney fires. If a chimney fire is declared they will know exactly what measures to take.

If you presume the existence of a chimney fire it is recommended to:

Close the doors and the combustion control key of the stove

Advise all family members

Call the fire department if help is needed

Try to extinguish or control fire with a dry extinguisher, baking soda, sand or ashes. Never use salt because it is corrosive, nor water, because it could cause a vapour explosion.

Make sure that the sparks leaving the chimney do not ignite the roof.

Have your stove and chimney inspected by the fire protection organisation before using again.

SMOKE DETECTOR

You should not install your smoke detector too close to your stove because it will go off when opening the door for loading.

AIR ENTRANCE

It is prohibited to modify the air entrance in any way.

EXTERNAL AIR INTAKE INSTALLATION

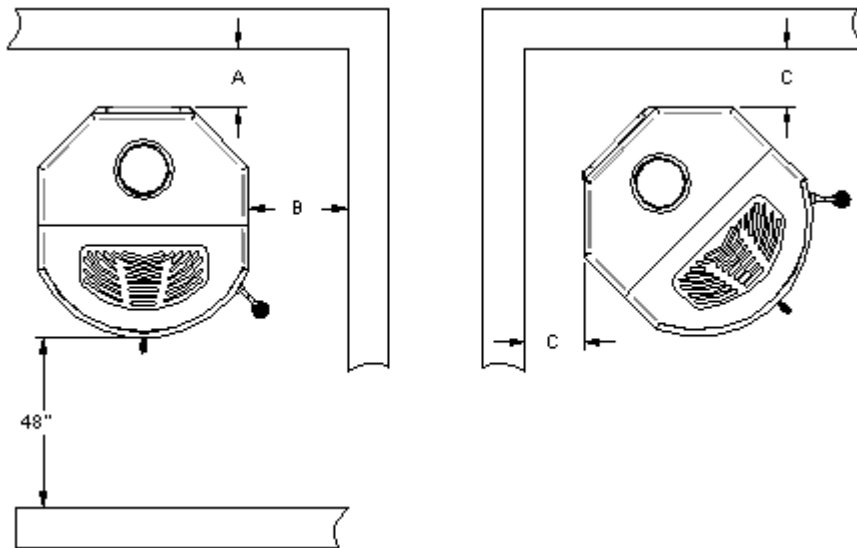
The external air intake system must be installed **according to the following instructions**

- 1. The maximum length of the duct must be **20'**. The length of the duct should be as short as possible.
- 2. The air register should not be installed with more than **7'** above the stove bottom.
- 3. Cold air must come from the exterior of the house.
- 4. The basement, attic or garage air must not feed the air intake.
- 5. The external register should not be able to intake the release of car, gas, or other air outlets.
- 6. The register, if possible, must be placed so it is not blocked by snow or exposed to extreme winds.
- 7. The register and the duct can be installed either above or underneath the floor.

Make a **4-¼ in (110 mm)** opening in the exterior wall of the house at the chosen location. From the outside place the exterior air intake in the opening (**shutters opened downwards**)

STANDARD INSTALLATIONS

The Evolution stove should be placed so that there is an open space with any combustible surface as ceiling or walls, **see table of releases**.



STANDARD INSTALLATION

The releases can only be reduced by approval of the authorities.

COMBUSTIBLE RELEASES

Single sided pipe

See illustrated figure	Units	Pipe*
A-Back wall	14"	21.5
B-Lateral wall	16"	28"
C-Corner on the wall	10"	19"
Ceiling	7'	N/A
Front wall	48"	N/A

Double sided pipe

See illustrated figure	Units	Pipe*
A-Back wall	5"	14"
B-Lateral wall	16"	28"
C-Corner on the wall	5"	14"
Ceiling	7'	N/A
Front wall	48"	N/A

Operation Conditions

Door	Closed
Fan	Optional **

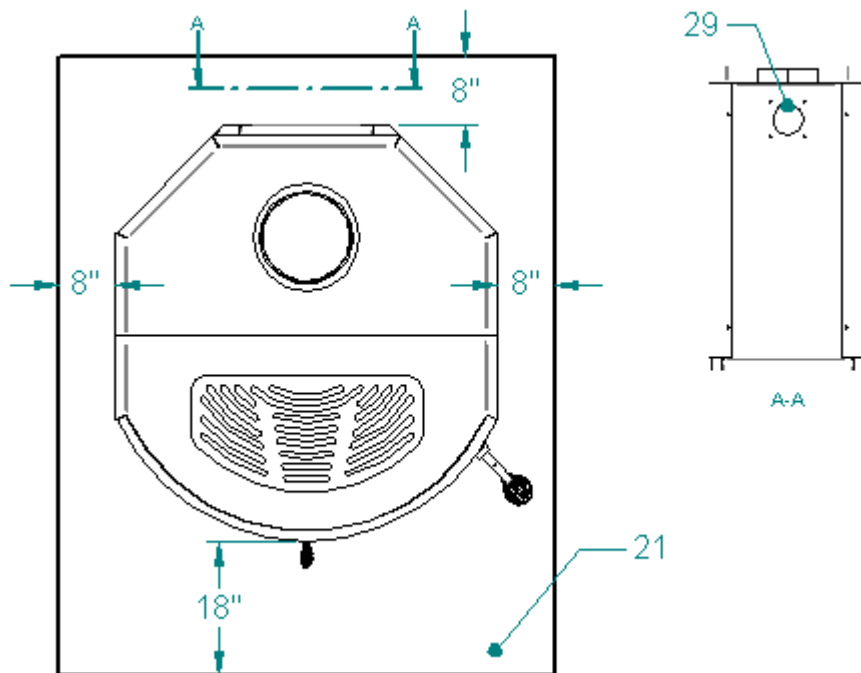
PARTS DESCRIPTION

DESCRIPTION	PARTS
Floor Protector (Non combustible)	21
6" Single or Double pipe	22
Certified Chimney 2100	23
Hat	24
Attic Radiation shield	25
Decorative Ceiling Support	26
Adaptor	27
Plaster Filling of roof	28
Fan	29

REFER TO PAGES 12-13

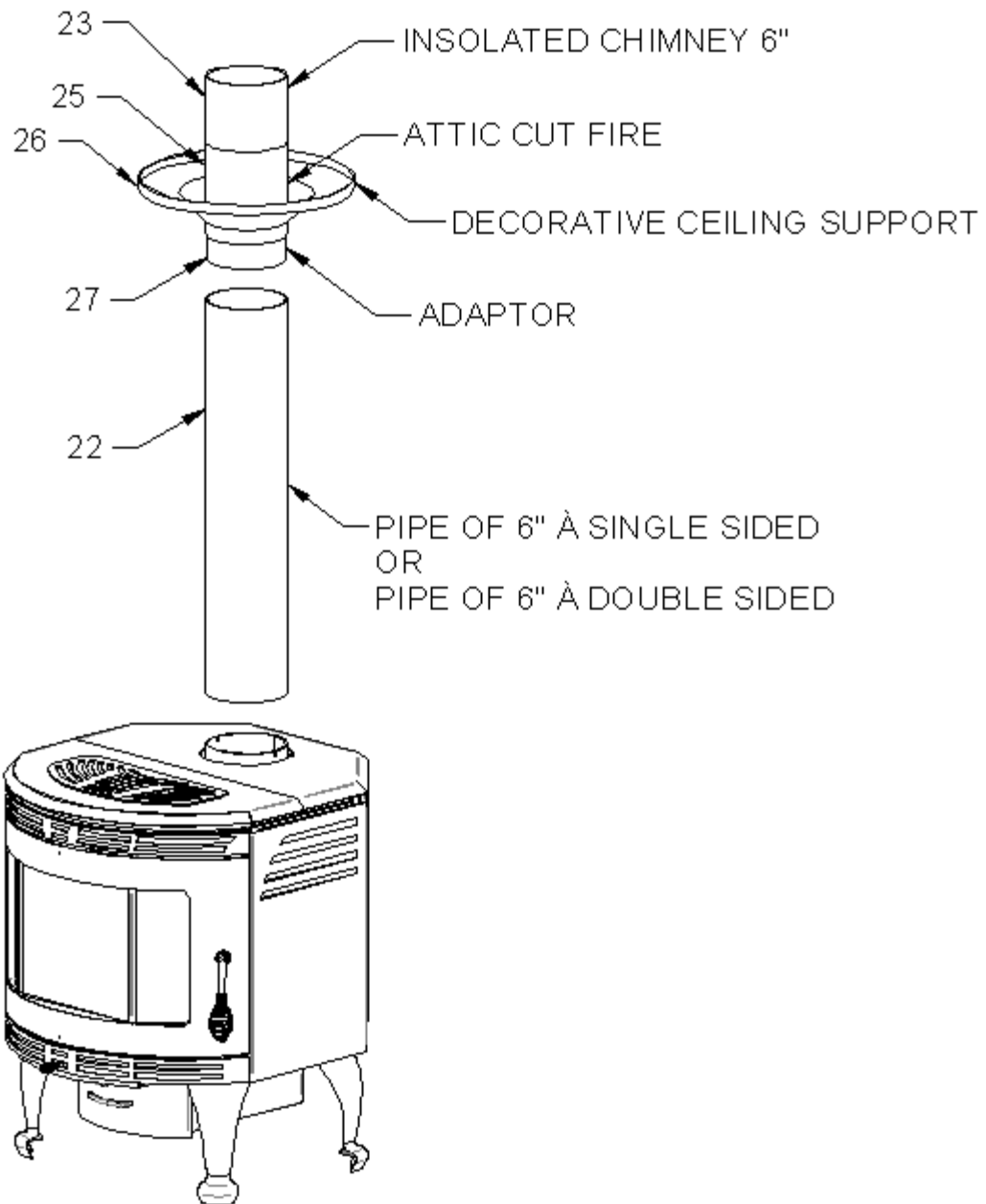
FLOOR PROTECTION

If your floor is made of concrete, you can install your stove directly on it. For the installation and use in conformity with the manufacturer's instruction and the local building codes, the apparatus, must be installed on an **3/8 " (9.5 mm)** thick concrete plate or an equivalent, extending **18 " (457 mm)** in front and **8 " (203 mm)** in the back and on the sides. See figure below.



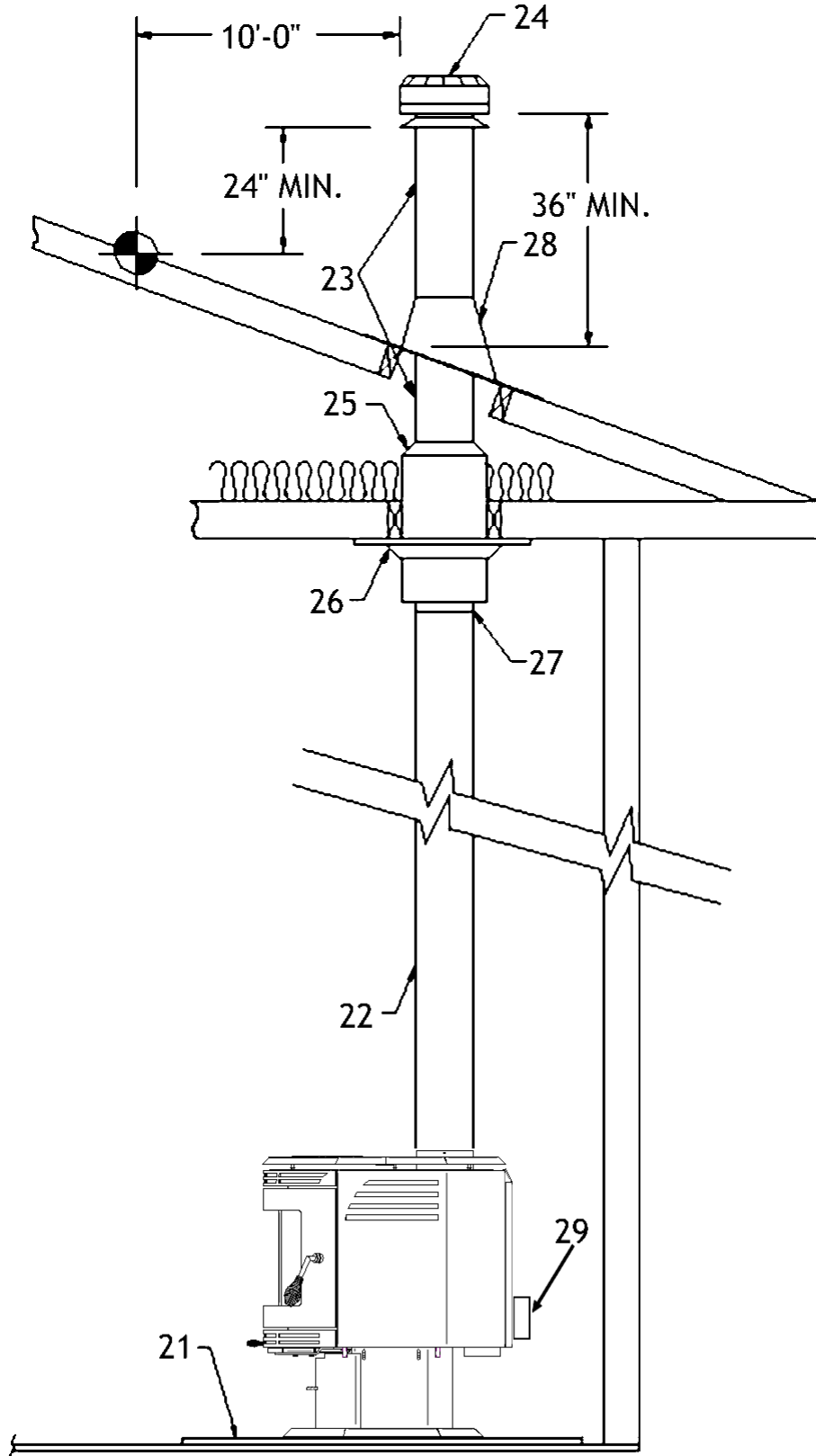
STOVE AND CHIMNEY INSTALLATION DIAGRAM

SEE DESCRIPTION ON PAGE 11



CHIMNEY INSTALLATION DIAGRAM

SEE DESCRIPTION ON PAGE 11





MIS À L'ESSAI SELON:
TESTED TO:
(FÉVRIER/FEBRUARY 1998)

U.L.C. S627
UL 1482

POÈLE À COMBUSTIBLE SOLIDE HOMOLOGUÉ
LISTED SOLID FUEL SPACE HEATER
CONÇU POUR UTILISATION EN MAISON MOBILE
SUITABLE FOR MOBILE HOME INSTALLATION

MODÈLE / MODEL: EVOLUTION

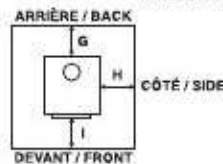
WH-

DÉGAGEMENTS AUX COMBUSTIBLES / CLEARANCES TO COMBUSTIBLES



	INSTALLATION RÉSIDENNELLE ET MAISON MOBILE / RESIDENTIAL INSTALLATION AND MOBILE HOME								
	TUYAU À PARI SIMPLE / SINGLE WALL CONNECTOR			TUYAU À PARI DOUBLE / DOUBLE WALL CONNECTOR					
	(cm)	(po./in.)	(cm)	(po./in.)	(cm)	(po./in.)			
MUR ARRIÈRE	A: 36	14	D: 53	21	A: 20	8	D: 38	15	BACK WALL
MUR LATÉRAL	B: 41	16	E: 76	30	B: 41	16	E: 76	30	SIDE WALL
CORNER	C: 27	10.5	F: 53	21	C: 13	5	F: 39	15.5	CORNER

PROTECTION DE PLANCHER / FLOOR PROTECTION



	(cm)	(po. / in.)	
ARRIÈRE	G: 20	8	BACK
CÔTÉS	H: 20	8	SIDES
DEVANT	I: 46	18	FRONT

DISTANCE MINIMALE PLAFOND-PLANCHER: 84 po. (213 cm)
MINIMUM FLOOR-CEILING DISTANCE: 84 po. (213 cm)

- INSTALLER ET UTILISER CONFORMÉMENT AU MANUEL D'UTILISATION DU FABRICANT.
- CONTACTER LES AUTORITÉS DE VOTRE LOCALITÉ AYANT JURIDICTION CONCERNANT LES RESTRICTIONS ET INSPECTIONS D'INSTALLATION.
- UTILISER DES TUYAUX D'ÉVACUATION À PARIOS SIMPLE OU DOUBLE HOMOLOGUÉS D'UN DIAMÈTRE MINIMUM DE 6 po. (150mm) AVEC UNE CHEMINÉE PRÉFABRIQUÉE APPROUVÉE POUR UTILISATION AU BOIS OU UNE CHEMINÉE DE MAÇONNERIE.
- VOIR LES CODES LOCAUX ET LE MANUEL D'INSTALLATION DU MANUFACTURIER POUR LE PASSAGE DE LA CHEMINÉE À TRAVERS UN MUR OU UN PLAFOND COMBUSTIBLE.
- NE PAS TRAVERSER UN PLAFOND OU UN MUR COMBUSTIBLE AVEC UN TUYAU D'ÉVACUATION.
- NE PAS RACCORDER CET APPAREIL À UNE CHEMINÉE DESSERVANT UN AUTRE APPAREIL.
- UTILISER AVEC LE BOIS SEULEMENT. NE PAS UTILISER D'AUTRES COMBUSTIBLES.
- N'OUVRIR LA PORTE QUE LORS DU CHARGEMENT.
- NE RIEN ENTREPOSER SOUS L'APPAREIL.
- NE PAS UTILISER DE GRILLES OU DE CHENÊTS POUR ÉLEVER LE FEU.
- PRÉPARER LE FEU DIRECTEMENT SUR L'ÂTRE.
- NE PAS SURCHAUFFER, SI L'APPAREIL OU LE TUYAU ROUGIT, IL Y A SURCHAUFFE.
- INSPECTER ET NETTOYER LA CHEMINÉE FRÉQUEMMENT. DANS CERTAINES CONDITIONS, L'ACCUMULATION DE CRÉOSOTE PEUT ÊTRE RAPIDE.
- REMPLACER LA VITRE AVEC UN VERRE DE CÉRAMIQUE SEULEMENT.
- INSTALLER L'APPAREIL SUR UNE PLAQUE NON COMBUSTIBLE TEL QU'INDIQUÉ SUR L'ÉTIQUETTE.

COMPOSANTES POUR INSTALLATION EN MAISON MOBILE

- NÉCESSAIRE D'APPORT D'AIR EXTÉRIEUR AVEC TUYAU D'ÉVACUATION HOMOLOGUÉ (CAN: ULC S641; É.-U.: UL103) ET UNE CHEMINÉE PRÉFABRIQUÉE COMPATIBLE HOMOLOGUÉE (CAN: ULC S629; É.-U.: UL103HT).

- INSTALL AND USE ONLY IN ACCORDANCE WITH THE MANUFACTURER'S INSTALLATION AND OPERATING INSTRUCTIONS.
- CONTACT LOCAL BUILDING OR FIRE OFFICIALS ABOUT RESTRICTIONS AND INSTALLATION INSPECTION IN YOUR AREA.
- USE LISTED 6 in. (150 mm) DIAMETER MINIMUM SINGLE OR DOUBLE WALL CONNECTORS WITH PREFABRICATED CHIMNEYS SUITABLE FOR SOLID FUELS OR MASONRY CHIMNEY.
- SEE LOCAL BUILDING CODE AND MANUFACTURER'S INSTRUCTIONS FOR PRECAUTIONS REQUIRED FOR PASSING A CHIMNEY THROUGH A COMBUSTIBLE WALL OR CEILING.
- DO NOT PASS CHIMNEY CONNECTOR THROUGH COMBUSTIBLE WALL OR CEILING.
- DO NOT CONNECT THIS UNIT TO A CHIMNEY SERVING ANOTHER APPLIANCE.
- USE WITH WOOD ONLY. DO NOT USE OTHER FUELS.
- OPERATE ONLY WITH DOOR CLOSED. OPEN FEED DOOR TO FEED FIRE ONLY.
- DO NOT OBSTRUCT THE SPACE UNDER THE STOVE.
- DO NOT USE GRATE OR ELEVATE FIRE.
- BUILD FIRE DIRECTLY ON HEARTH.
- DO NOT OVERFIRE; IF HEATER OR CHIMNEY CONNECTOR GLOWS, YOU ARE OVERFIRING.
- INSPECT AND CLEAN CHIMNEY FREQUENTLY. UNDER CERTAIN CONDITIONS OF USE, CREOSOTE BUILD-UP MAY OCCUR RAPIDLY.
- REPLACE GLASS WITH CERAMIC TYPE ONLY.
- INSTALL UNIT ON A NON COMBUSTIBLE MATERIAL EXTENDING AS SHOWN ABOVE ON THIS LABEL.

COMPONENTS FOR MOBILE HOME INSTALLATION

- OUTSIDE AIR KIT WITH A LISTED CONNECTOR (CAN: ULC S641; US: UL103) AND A LISTED COMPATIBLE CHIMNEY SYSTEM (CAN: ULC S629; US: UL103HT).

U.S. ENVIRONMENTAL PROTECTION AGENCY

CERTIFIED TO COMPLY WITH JULY, 1990 PARTICULATE EMISSION STANDARDS.
PHASE II



FABRIQUÉ AU CANADA



Produits d'Acier
NORDIC
Steel Products

MADE IN CANADA



ATTENTION

- CHAUD EN FONCTIONNEMENT.
- NE PAS TOUCHER, GARDER LES ENFANTS, LES VÊTEMENTS ET LES MEUBLES ÉLOIGNÉS.
- UN CONTACT AVEC LA PEAU PEUT OCCASIONNER DES BRÛLURES. VOIR LES INSTRUCTIONS.

CAUTION

- HOT WHILE IN OPERATION.
- DO NOT TOUCH KEEP, CHILDREN, CLOTHING AND FURNITURE AWAY.
- CONTACT MAY CAUSE SKIN BURNS. SEE NAME-PLATE AND INSTRUCTIONS.

25 YEAR LIMITED WARRANTY

⇒ IMPORTANT: THIS WARRANTY IS VALID ONLY IF THE WARRANTY CARD HAS BEEN DULY FILLED AND RETURNED TO NORDIC STEEL PRODUCTS INT. WITHIN 30 DAYS, OF THE DATE OF PURCHASE

* **Note:** Each complaint must be accompanied by proof of purchase

Nordic Steel Products Int. offers to the original purchaser of a Nordica wood stove, a limited warranty of twenty-five years from the date of purchase of the wood stove, against any defects in materials or workmanship. This warranty is conditional with a normal use and maintenance of the unit.

However, this warranty is cancelled if the wood stove was not installed properly according to the instructions in the installation manual provided with the unit. Thus it does not cover the damage following improper use of the product.

LIMITS OF THE WARRANTY

1. During the first year of the limited warranty, Nordic Steel Products Int. **will provide, without cost,** replacement parts proving to be defective and will **assume the reasonable costs of labour** necessary to carry out these replacements. However, an authorized agent of Nordic Steel Products Int must approve any replacement of parts beforehand. The labour expense should not exceed the retail price of the replaced parts.
2. During the second through the fifth year of limited warranty, Nordic Steel Products Int. **will provide, without cost,** the replacement parts proving to be defective, **except for the parts described below.** Moreover Nordic Steel Products Int. **will not assume any labour costs for the replacement of the guaranteed parts incurred**

The following parts are covered by the warranty for one (1) year.

1-Fan 2-Glass

The following parts are covered by the warranty for three (3) months;

1-Refractory stone

3. The following parts are not covered by the warranty:
1- The rusting of paint or gold caused by humidity or condensation
4. During the sixth through the twenty-fifth year of the limited warranty, Nordic Steel Products Int. **will provide the spare parts (if possible) up to 50% of the retail price,** except for the parts mentioned above Nordic Steel Products Int will not be responsible for the labour expense associated with replacement work.

Our representatives can in no way alter the present warranty.

The warrantor does not make any guarantee, express or implicit, written or verbal, besides those specified in this 25 years limited warranty. The duration of any warranties, including those of merchantability and manufacturing for a particular purpose, is limited to 25 years from the date of purchase.

The remedy for damage due to a defective product covered by this warranty is limited to replacement of the defective parts. It does not include any incidental, consequential damage or expenses relating to the product, including damage to property. **Nordic Steel Products Int. assumes no liability in the event of a back drafting problem resulting from a negative pressure of the property caused by a heating, ventilation, air exchanger system or any structural component that can cause this problem.**

NORDICA WARRANTY CARD

Complete this form
And return by mail

EVOLUTION

First name: _____ Last name: _____

Address: _____

City: _____ Province _____ Postal Code _____ Tél. - -

Name of Store _____ City of Store _____ Province _____

Date of Purchase	Model	Color
- -	Evolution	Black Blue Green Brown Grey

Serial No WH-

1-Application

Renovation
Stove improvement
Other _____

2-Area of installation

Living room
Basement
Other _____

3-Principal use of heating

Electricity
Gas
Wood
Other

4-Do you own another wood stove? Yes No

5-What uses will your wood stove be for?

Principal source of heat
Auxiliary source of heat (In case of emergency)
Other: _____

6-What reasons motivated your choice?

Price
Quality
Efficiency
Other _____

7-What other brand of wood stove have you thought of before purchasing? _____

Nordica is so confident in the quality of materials and workmanship of each unit, that we offer a reliable and complete warranty to you. Please see your instruction manual or your retailer for more information.

11750, Pilippe-Panneton, Montréal, Québec, H1E 4G4,