

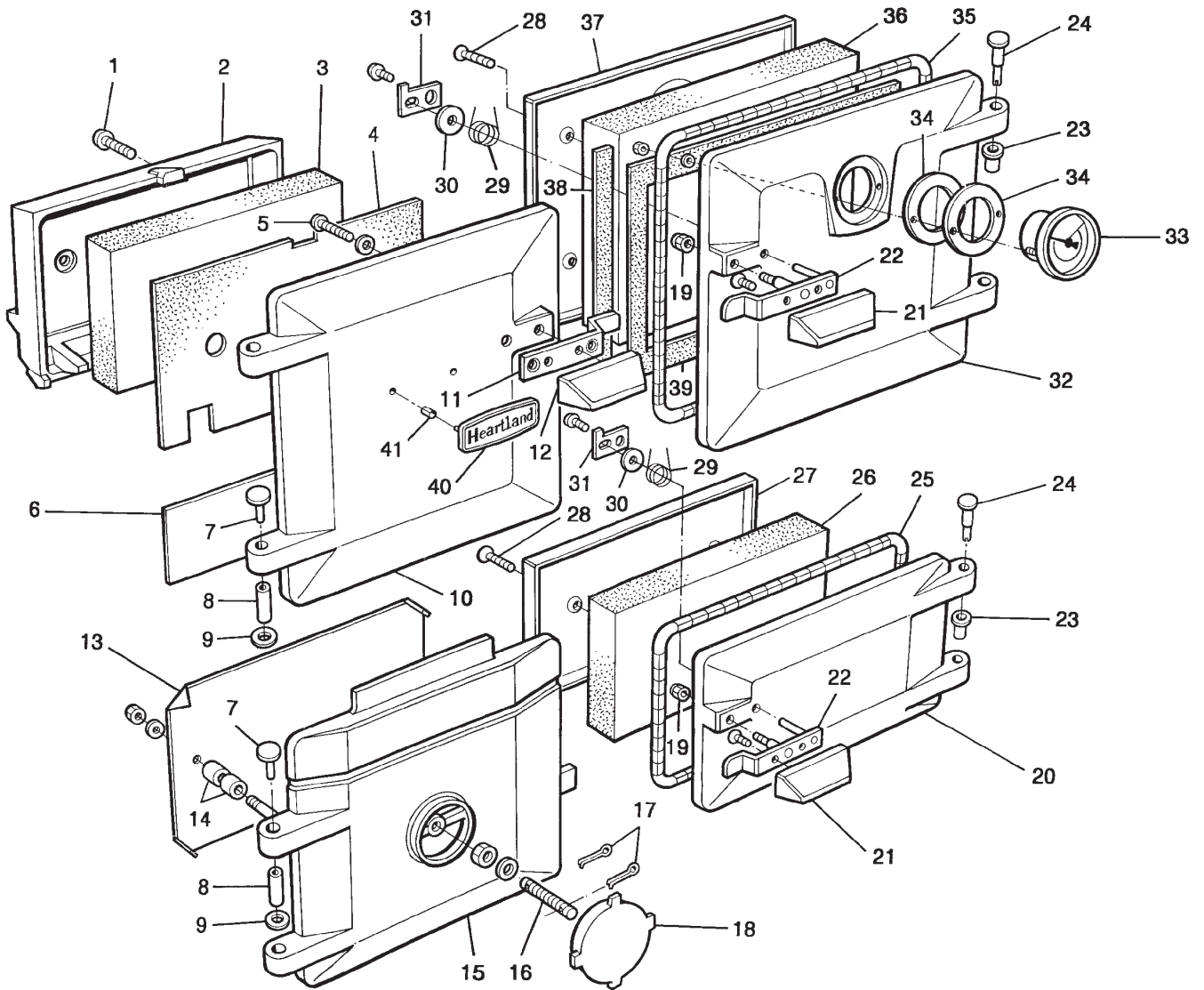
HEARTLAND ARTISAN COOKER

SPARE PARTS MANUAL

**HEARTLAND ARTISAN COOKER
TOP/BOTTOM OVEN DOOR, FIREDOOR & ASHPIT DOOR ASSYS**

MARCH 2007

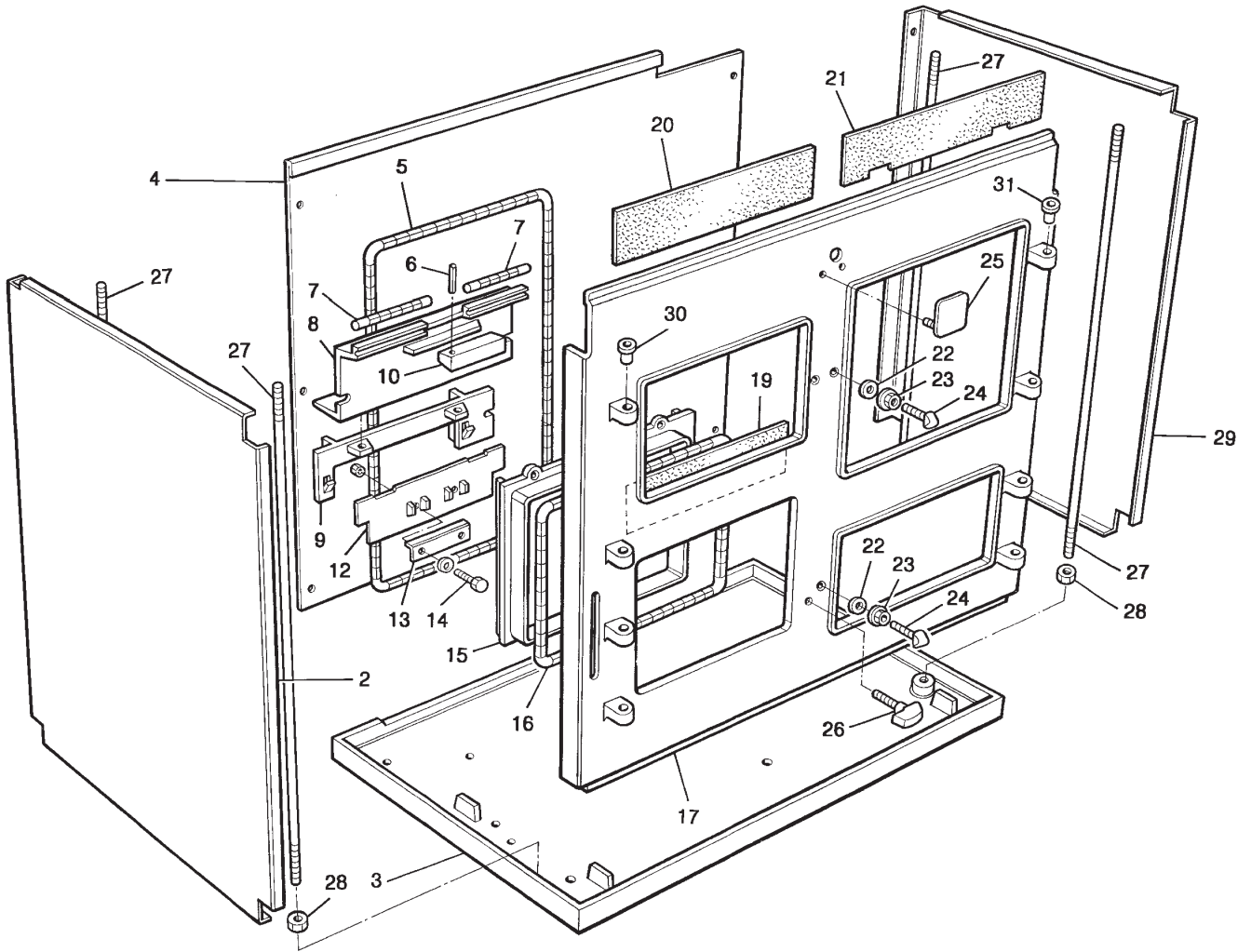
| ITEM No. | CAT No. | DESCRIPTION | PRODUCT CODE |
|-----------------|----------------|---|---------------------|
| 1 | | SCREW 5/16" BSW x 1 1/2" RND HEAD | KRDH51780 |
| 2 | R2072 | FIRE DOOR PROT PLATE COMPLETE | RS9M4-16202COMP |
| 3 | | ROCKWALL | MRWF35404 |
| 4 | | FIREDOOR HEAT SHIELD (INCL IN ITEM 2) | JPAD41776 |
| 5 | | SCREW M5 x 25 LG HEX HD | KHEX50934 |
| 6 | R2248 | HEAT SHIELD MIDDLE | JPAD301228 |
| 7 | R4720 | DOOR HINGE BUTTON - UP TO M05-051 | RS4M301095 |
| 8 | | DOOR HINGE PIN - UP TO M06-051 | RS4M301104 |
| 8A | R2633 | DOOR HINGE PIN - FROM M06-051 | RO4M340227 |
| 9 | | WASHER NYLON 8 x 16 x 1 | KWSR53500 |
| 10 | R3587 | FIRE DOOR COMPLETE - UP TO M05-144 | RS9M301094COMP |
| 10A | | FIRE DOOR COMPLETE - FROM M05-144 | RS9M997447 |
| 11 | R2061 | DOOR HANDLE C/W SCREWS | RS9M31530COMP |
| 12 | | INCLUDED IN ITEM 11 | |
| 13 | R1616 | ASHPIT DOOR BAFFLE PLATE | RS2M91280 |
| 14 | A2331 | BAFFLE DISTANCE PIECE | AS4M28060 |
| 15 | R1931 | ASHPIT DOOR COMPLETE | RS9E1-16174 |
| 16 | | SEE ITEM 18 | |
| 17 | | SEE ITEM 18 | |
| 18 | R2084 | SPIN VALVE C/W FIXINGS | RS9M43460COMP |
| 19 | R3417 | M8 SELF LOCKING NUT | KNUT500327 |
| 20 | R2591 | SIMMERING OVEN DOOR COMPLETE | RO9M340325COMP |
| 21 | R2636 | DOOR HANDLE/CATCH ASSY | RO9M340181COMP |
| 23 | R2759 | BUSH - DOOR HINGE | RO4M340226 |
| 24 | R2633 | HINGE PIN | RO4M340227 |
| 25 | R2641 | SEAL BOTTOM OVEN DOOR | JMAR340256 |
| 26 | R2975 | PAD INSULATION - BOTTOM OVEN DOOR | JPAD340466 |
| 27 | R2974 | BOTTOM OVEN DOOR LINING PANEL | RG2M313313 |
| 28 | | M6 x 25 LG C/SK HEAD SCREW | KCSK500302 |
| 29 | | SPRING DOOR CATCH (INCL IN ITEM 21) | RO4M340297 |
| 30 | | WASHER M8 x 12mm (INCL IN ITEM 21) | KWSR53400 |
| 31 | | BRACKET DOOR STOP CATCH (INCL IN ITEM 21) | RO4M340349 |
| 32 | R3593 | TOP OVEN DOOR - COMPLETE | RO9M340138-355S |
| 33 | R2676 | THERMODIAL | RO4T340295 |
| 34 | R1147 | THERMODIAL GASKET | RG4M30412 |
| 35 | R2642 | SEAL TOP OVEN | JMAR340255 |
| 36 | R2986 | INSULATION PAD | JPAD340465 |
| 37 | R2985 | TOP OVEN DOOR LINING PANEL | RO2M313325 |
| 38 | R2642 | TAPE - DOOR | JMAR340255 |
| 39 | | GASKET - TOP OVEN DOOR | JGSG341290 |
| 40 | R5290 | HEARTLAND BADGE | RS4M301207 |
| 41 | | CLIP - PUSH ON | KCLP53173 |



HEARTLAND ARTISAN COOKER - TOP/BOTTOM OVEN DOORS, FIREDOOR & ASHPIT DOOR ASSYS

HEARTLAND ARTISAN COOKER **MAY 2007**
FRONT PLATE, SIDE PLATES, BACK PLATE, BASE PLATE

| ITEM No. | CAT No. | DESCRIPTION | PRODUCT CODE |
|----------|---------|--|----------------|
| 3 | R2479 | BASE PLATE | RG5M313072 |
| 4 | | BACK PLATE | RS2M301204 |
| 5 | | ROPE 7 DIA | |
| 6 | | ROLL PIN 3/16" | KSTD500452 |
| 7 | | ROPE 7 DIA x 120mm LG | |
| 8 | R1810 | SECONDARY AIR SEALING PLATE | RS5M1-16190 |
| 9 | R1708 | SECONDARY AIR SEALING PLATE FOOT | RS4M22095 |
| 10 | R1893 | SECONDARY AIR SHUT OFF SLIDE | RS5M4-13705 |
| 12 | | CLINKER DOOR | RS4M22096 |
| 12A | R2049 | CLINKER DOOR C/W HANDLE (INCLS ITEMS 12, 13 & 14) | RS9M22096COMP |
| 13 | | CATCH - CLINKER DOOR | RS2M91275 |
| 14 | | SCREWS | KHEX51065 |
| 15 | R1811 | ASHPIT DOOR FRAME | RS5M1-16191 |
| 16 | | ROPE 7 DIA | |
| 17 | | FRONT PLATE - FROM M05-144 | RS5E301158 |
| 17A | R1923 | FRONT PLATE 355M - UP TO M05-144 | RS5E301090 |
| 17B | R2248 | FRONT PLATE - COMPLETE | RS1M-SMF-FP |
| 19 | R2867 | HEAT SHIELD MIDDLE | JPAD301228 |
| 20 | R1021 | TOP SHIELD BLR SIDE | JPAD41777 |
| 21 | | TOP HEAT SHIELD OVEN SIDE | JPAD30770 |
| 22 | | SEE ITEM 24 | |
| 23 | R2754 | M8 FLANGE NUT | KNUT500260 |
| 24 | R2679 | DOOR KEEP C/W WASHER | RO9M340185COMP |
| 25 | | DAMPER BLANKING PLATE | RS4M301218 |
| 26 | R5029 | ASHPIT DOOR CATCH - M8 | RS4M300116 |
| 27 | R1760 | CORNER STAY RODS | RS4M44080 |
| 27A | R2088 | SET OF 4 CORNER STAY RODS & NUTS | RS9M44080SET4 |
| 28 | R2309 | LOCKNUT 3/8" BSW | KNUT52911 |
| 29 | R3573 | SIDE PANEL | RG2V313255 |

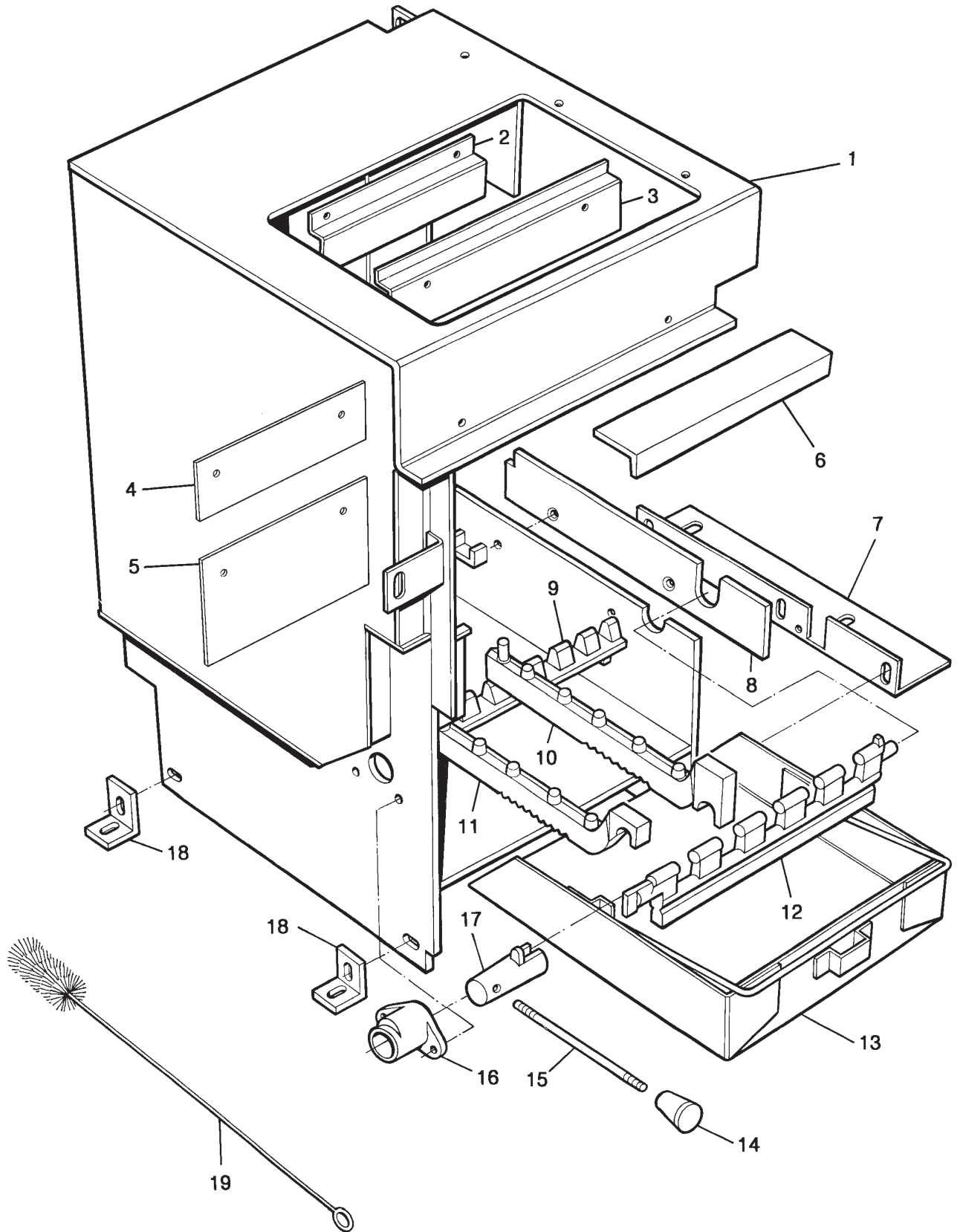


**HEARTLAND ARTISAN COOKER
FRONT PLATE, SIDE PLATES, BACK PLATE, BASE PLATE**

**HEARTLAND ARTISAN COOKER
FIREBOX ASSEMBLY**

MARCH 2007

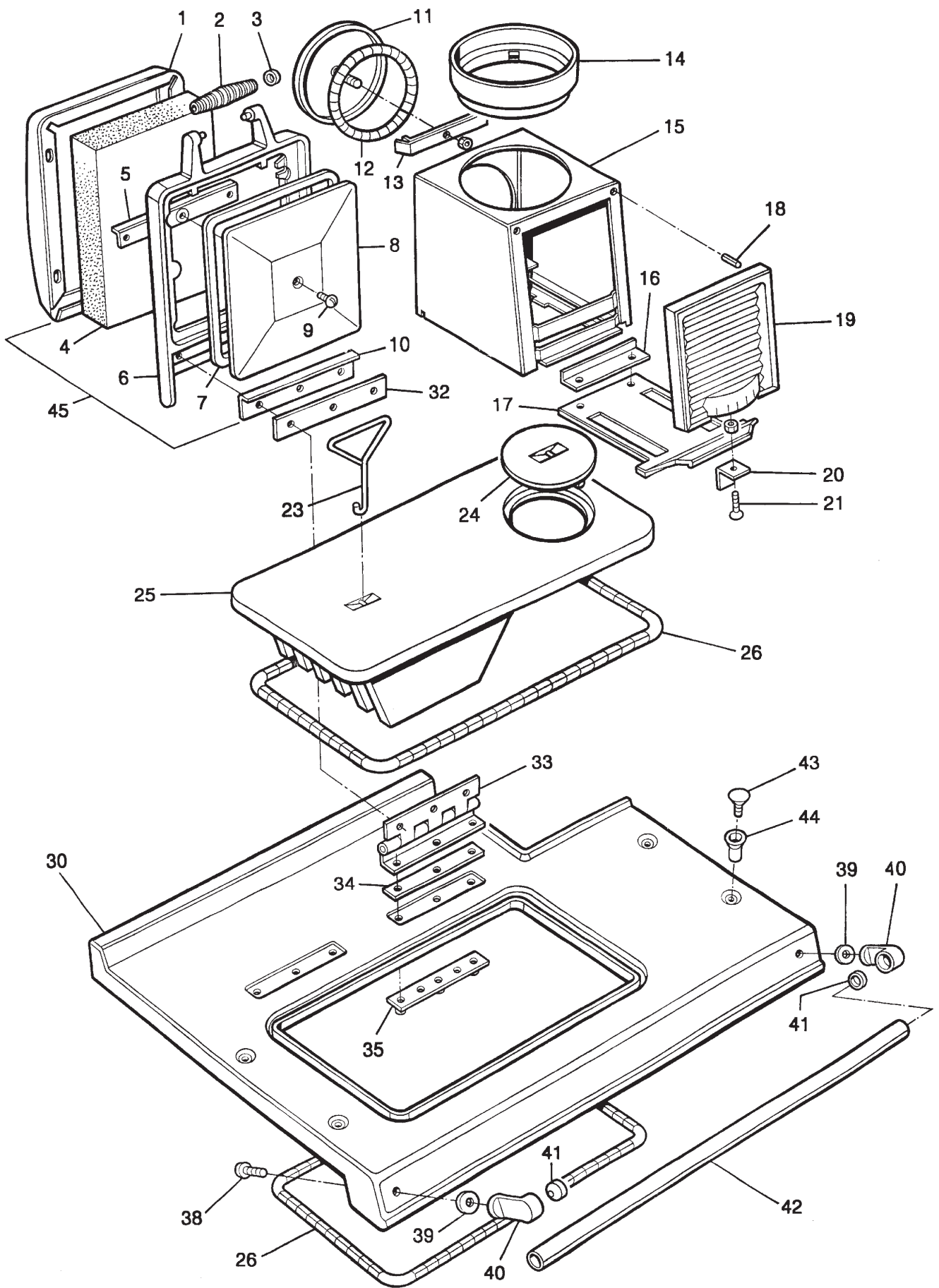
| ITEM No. | CAT No. | DESCRIPTION | PRODUCT CODE |
|-----------------|----------------|--|---------------------|
| 1 | | FIREBOX ASSY | RS1M301164 |
| 2 | | TOP RETAINING BRACKET | RS2M301178 |
| 3 | | SMOKE GUARD BRACKET | RS2M301195 |
| 4 | | BOTTOM RETAINING BRACKET | RS2M301177 |
| 5 | | BOTTOM BRACKET - FIREBRICK | RS2M301205 |
| 6 | R1860 | BOTTOM GRATE BAFFLE | RS5M3-18172 |
| 7 | R2688 | CENTRE ANGLE | RG2M90371 |
| 8 | R1859 | FIREBRICK RETAINING BRACKET | RS5M3-16288 |
| 9 | R1709 | BOTTOMGRATE REAR SPACER | RS4M22098 |
| 10 | R1707 | BOTTOMGRATE BAR BOTTOM | RS4M22094 |
| 11 | R1706 | FIREBAR TOP | RS4M22093 |
| 11A | R2046 | SET OF 11 BOTTOMGRATE BARS (COMPRISES 6-OFF ITEM 11 & 5-OFF ITEM 10) | RS2M22093-4ST11 |
| 12 | R1857 | ROCKER BAR | RS5M3-16177 |
| 13 | R2489 | ASHPAN | RS1M301088 |
| 14 | H1192 | RIDDLING ROD KNOB (PART OF ITEM 15) | HS4M34012 |
| 15 | R2081 | RIDDLING ROD AND KNOB COMP. | RS4M41156COMP |
| 16 | R1895 | RIDDLING BUSH | RS5M4-16201 |
| 17 | R1896 | RIDDLING CONNECTOR | RS5M4-16203 |
| 18 | R2690 | BASE PLATE BRACKET | RG2M311231 |
| 19 | H1159 | FLUE BUSH | HS4M23323 |



**HEARTLAND ARTISAN COOKER
FIREBOX ASSEMBLY**

HEARTLAND ARTISAN **JULY 2009**
HOB PLATE, INSULATING COVERS & FLUE CHAMBER

| ITEM No. | CAT No. | DESCRIPTION | PRODUCT CODE |
|----------|---------|-----------------------------------|----------------|
| 1 | R4566 | INSULATING COVER | RO2M342347 |
| 2 | R3028 | COIL HANDLE | RO4M340522 |
| 3 | R4863 | COIL HANDLE - CUP (SET 4) | RO9M340521SET4 |
| 4 | R2767 | PAD COVER - INSULATION | JPAD340307 |
| 5 | | LINER FIXING BRACKET | RO2M342362 |
| 6 | R4565 | INSULATING COVER - BASE | RO5E342348 |
| 7 | R3457 | SEAL - INSULATING LID | JMAR340790 |
| 8 | R1614 | LINING PANEL | RO2E340773 |
| 9 | | SCREW 1/4" x 1 13/16" RSD CSK C/P | KRCK50372 |
| 10 | R4564 | HINGE COVER | RO2M342387 |
| 11 | R1641 | BLANKING PLATE | RS4E38977 |
| 12 | | ROPE 7 DIA x 500mm LG | |
| 13 | R2123 | BLANKING PLATE STRAP | RS4M38773 |
| 14 | R1642 | FLUE CHAMBER SOCKET | RS4E42644 |
| 15 | R5130 | FLUE CHAMBER ASSEMBLY | RS2E301136 |
| 16 | | STOP BRACKET | RS2M300115 |
| 17 | R5166 | DAMPER BLADE (VE) | RS5E301133 |
| 18 | H1723 | PIN BISSEL 3/16"x 1" LG | KCTR37850 |
| 19 | R1785 | FLUE CHAMBER DOOR | RS5E3-13344 |
| 20 | R2793 | TOP OVEN FIXING BRACKET | RS2M93013 |
| 21 | | SCREW | KHEX50915 |
| 23 | R1764 | HOTPLATE LIFTING TOOL | RS4M47450 |
| 24 | R1843 | HOTPLATE CUP PLUG | RS5M27-SP |
| 25 | R1593 | HOTPLATE C/W CUP | RS1M0-16187-27 |
| 26 | R1038 | No.4 T/SEAL ROPE FOR HOTPLATE | JTHR20389X1.6M |
| 30 | R4641 | HOB PLATE | RO5E341320 |
| 31 | | NAME PLATE - UP TO NP05-029 | RS4M301100 |
| 32 | | HINGE GASKET TOP | JGSG342404 |
| 33 | | HINGE LID | RO4M342364 |
| 34 | | HINGE GASKET | JGSG342369 |
| 35 | | TAPPING PLATE | RO2M342370 |
| 36 | | SPRING WASHER | |
| 37 | R1619 | STAT DRIVE LOCATING BRACKET | RS4M22865 |
| 38 | R3689 | SCREW M8 x 16 HX HD | KHEX500026 |
| 39 | A1472 | HANDRAIL BRACKET WASHER | JWSR313206 |
| 40 | A2314 | HANDRAIL BRACKET | AG4M210853 |
| 41 | A2975 | HANDRAIL END CAP | AG4M210660 |
| 42 | R1723 | HANDRAIL | RO4M340837 |
| 43 | R1713 | BUTTON CORNER STAY NUT | RS4M24420 |
| 44 | R1066 | CORNER STAY NUT | KNUT53090 |
| 45 | R4567 | INSULATING COVER ASSEMBLY | RG1M313257 |



**HEARTLAND ARTISAN COOKER -
HOB PLATE, INSULATING COVERS & FLUE CHAMBER**

**HEARTLAND ARTISAN
HOB PROTECTOR PLATE, TOP OVEN & WARMING OVEN**

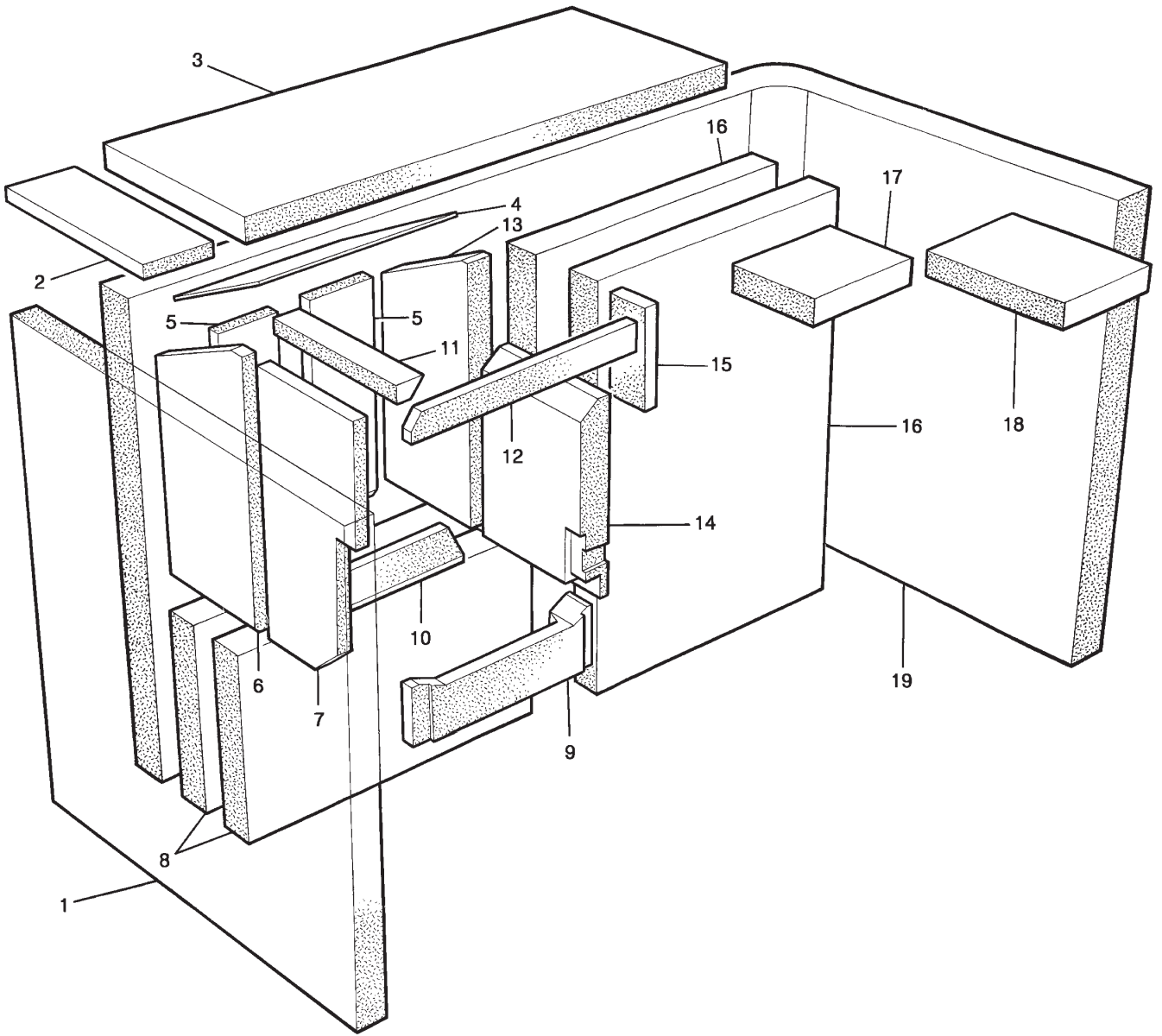
MARCH 2007

| ITEM No. | CAT No. | DESCRIPTION | PRODUCT CODE |
|-----------------|----------------|--------------------------------|---------------------|
| 1 | | ROPE 15 x 630 | JTHR20392 |
| 2 | R1805 | HOB PLATE PROTECTOR PLATE | RS5M0-17822 |
| 3 | | ROPE T/SEAL | |
| 4 | | ROPE T/SEAL | |
| 5 | R1812 | OVEN TOP BACK FLUE PLATE | RS5M1-16193 |
| 6 | | OVEN TOP RH SIDE PLATE | RS5M1-16199 |
| 7 | R2858 | FLUE ASSY - TOP OVEN | RS2V91285 |
| 8 | R1804 | OVEN TOP PLATE | RS5M0-16198 |
| 9 | R3853 | OVEN BACK PLATE | RO5M342081 |
| 10 | R4128 | OVEN SIDE LH - REMOVABLE PLATE | RG5M341249 |
| 11 | R1915 | OVEN SIDE FIXED - RHO | RS507-RH |
| 12 | R2793 | TOP OVEN SIDE FIXING BRACKET | RS2M93013 |
| 13 | R2597 | TOP OVEN BOTTOM PLATE | RS5O300015 |
| 14 | R2953 | BRACKET F/BOX SIDE FIXING | RS5M301092 |
| 15 | | WASHER | |
| 16 | R1761 | OVEN STAY ROD | RS4M44111 |
| 17 | R2701 | WARMING OVEN VENT PIPE | RS2M91495 |
| 18 | R2794 | OVEN RETAINING BRACKET | RS2M301068 |
| 19 | | OVEN REFLECTOR DUCT MAIN BODY | RG2M310100 |
| 20 | R2669 | FIREBOX SIDE PLATE | RS5M301079 |
| 21 | R4002 | WARMING OVEN ASSY | RS1M301117 |
| 22 | R2688 | CENTRE ANGLE | RG2M90371 |
| 23 | R4061 | MEAT TRAY | EMTY530219 |
| 24 | R2573 | OVEN GRID SHELF | RS4M300070 |
| 25 | R1618 | PLAIN OVEN SHELF | RO2M340757 |

**HEARTLAND ARTISAN COOKER
FIREBRICKS AND INSULATION**

MARCH 2007

| ITEM No. | CAT No. | DESCRIPTION | PRODUCT CODE |
|----------|---------|------------------------------|--------------|
| 1 | R1678 | LEFT SIDE INSULATION BLANKET | JPAD301224 |
| 2 | | TOP LEFT INSULATION BLANKET | JPAD301226 |
| 3 | | TOP REAR INSULATION BLANKET | JPAD301225 |
| 4 | | FIREBOX BAFFLE PLATE | RS5M301182 |
| 5 | | REAR FIREBRICK | RS4F301171 |
| 6 | | LH REAR FIREBRICK | RS4F301172 |
| 7 | | LH FRONT FIREBRICK | RS4F301173 |
| 8 | | PART OF PACK | MRWF300087 |
| 9 | | FRONT FIREBRICK | RS4F301175 |
| 10 | | REAR ANGLE FIREBRICK | RS4F301176 |
| 11 | | INSULATION BOARD F/BOX SIDE | JPAD301221 |
| 12 | | INSULATION BOARD F/BOX FRONT | JPAD301220 |
| 13 | | RH REAR FIREBRICK | RS4F301170 |
| 14 | | RH FRONT FIREBRICK | RS4F301200 |
| 15 | | FIREBRICK F/BOX TOP SIDE | RS4F4-16273 |
| 16 | | PART OF PACK | MRWF300087 |
| 17 | | PART OF PACK | MRWF300087 |
| 18 | | PART OF PACK | MRWF300087 |
| 19 | | PART OF PACK | MRWF300087 |



**HEARTLAND ARTISAN COOKER
FIREBRICKS AND INSULATION**