



# Installation Requirements Model Heartland Artisan



**Help Desk**  
**877-650-5775**

Due to continuing product improvements, Heartland Appliances reserves the right to amend specifications without notice. Please contact Heartland for the most up to date information, as it applies to product being purchased, or download latest Site Preparation Specifications from [www.heartlandapp.com](http://www.heartlandapp.com).



## ARTISAN REQUIREMENTS

### How-to Steps

Note: Ensure this manual is for the stove you have purchased. All clearances are subject to local, Provincial or State building and fire codes. Product specifications may change from time to time. Always consult with local building inspector. Improperly installed and/or maintained stoves may result in a house fire.

### Clearances

#### Single Wall Stove Pipe

- Left side of stove adjacent to combustible material: 18 inches/ 457 mm
- Right side of stove adjacent to combustible material: 18 inches/ 457 mm
- Rear clearance to combustible material: 18 inches/ 457 mm
- Corner clearance to combustible material: 18 inches/ 457 mm
- Front clearance to combustible material: 36 inches/ 915 mm
- Minimum clearance to combustible ceiling: 51 3/4 inches/ 1321 mm

#### Listed Double Wall Stove Pipe

- Left side of stove adjacent to combustible material: 6 inches/ 153 mm
- Right side of stove adjacent to combustible material: 6 inches/ 153 mm
- Rear clearance to combustible material: 6 inches/ 153 mm
- Corner clearance to combustible material: 6 inches/ 153 mm
- Front clearance to combustible material: 36 inches/ 915 mm
- Minimum clearance to combustible ceiling: 51 3/4 inches/ 1321 mm



### Combustible Walls

**Warning** Please contact your local building inspector for confirmation of what construction materials are considered combustible or non-combustible in your particular application. Combustible materials include, but are not limited to, doors, trim, furniture, drapes, newspapers, woodpiles and clothes.

### Floor Protection

Unit must be placed on a continuous non combustible pad (floor tile with grouting or sheet metal pad) extending 21" (534 mm) in front and 8" (203 mm) to the sides and back of the unit.

**Hearth MUST extend to the walls if using clearances less than these dimensions.**



## CHIMNEY CONNECTOR REQUIREMENTS

### How-to Steps

Note: Ensure this manual is for the stove you have purchased. All clearances are subject to local, Provincial or State building and fire codes. Product specification may change from time to time. Always consult with local building inspector. Improperly installed and/or maintained stoves may result in a house fire.

### Chimney Connector Approvals

For Single and listed Double Wall

Use only 6" diameter approved and listed chimney to the following standards.

- Canada: ULC Standard S629
- U.S.: UL 103 HT

### Clearance Guidelines

Part of planning a safe installation is to be sure that combustible materials located near your stove do not overheat.



### Safety

- Clearances specified herein must be adhered to as a minimum. Local building codes may require additional spacing. Please confirm with your local regulations before commencing any work.
- Floor or ceiling supports must not be cut due to chimney installation (adjust stove location accordingly to avoid chimney interference with these critical areas).
- Certain States require fresh air supply kits to be installed. Contact state or local authorities for specific details prior to installing unit.
- Do not pass stovepipe chimney connector through combustible walls.
- Always use an approved, insulated wall/ ceiling pass through (refer to CSA B365 in Canada and NFPA 211 in U.S.)
- Do not use stovepipe as an outside chimney.
- Chimney connector should be exposed and accessible for inspection and cleaning (never pass through combustible ceiling).
- Chimney connector must be securely attached to the pipe and chimney. Individual sections must be attached together.
- Stove pipe must not be connected to an air distribution duct.



# Installation Requirements Model Heartland Artisan

Ensure these specifications apply to the model you have purchased. Changes may occur in product specification from time to time. Please contact Heartland for the most up to date information, as it applies to product being purchased, or download latest Site Preparation Specifications from [www.heartlandapp.com](http://www.heartlandapp.com).

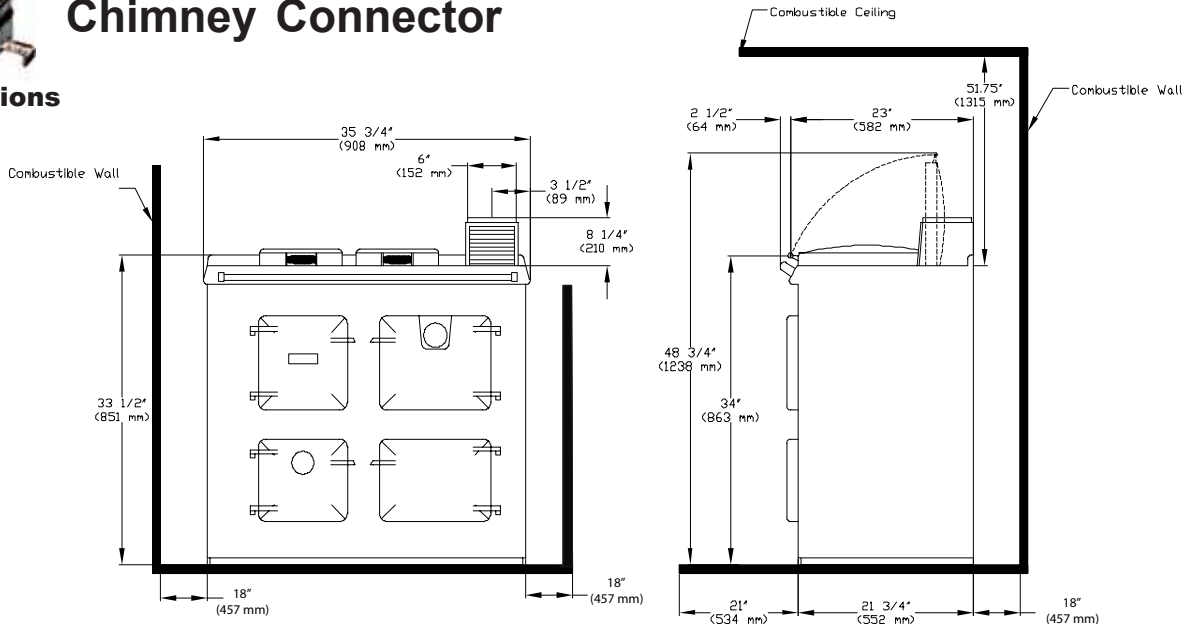


**Help Desk**  
**877-650-5775**



## Clearance to Combustibles with Single Wall Chimney Connector

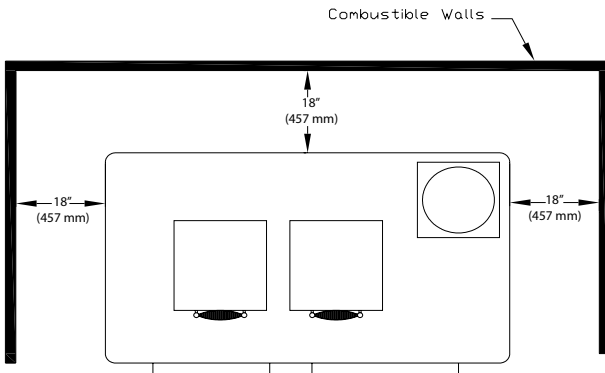
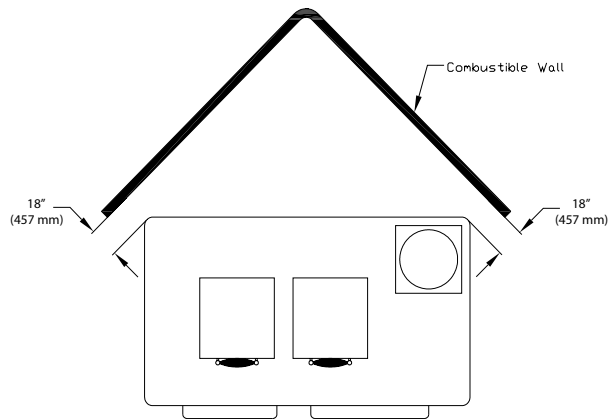
### Dimensions



### Rough In Measurements

All drawings are for reference only, showing approximate dimensions for rough-in purposes. **Do not cut floor or ceiling supports due to chimney installations.**

In some installations, due to room orientation etc., two or more clearances to combustible walls may contradict each other, the clearance with the greater numerical value must be maintained.



Unit must be placed on a continuous non combustible pad (floor tile with grouting or sheet metal pad) extending 21" (534mm) in front and 8" (203mm) to the sides and back of the unit. Hearth must extend to wall if using clearances less than these dimensions.

Hearth extension must be fabricated from non-combustible materials: 1/2" (13 mm) thick minimum with thermal conductivity factor "K" of 0.43 or lower (units of K = btu/ft/h/F/in).

To determine thickness of equivalent material required use formula: ("K" x 0.5) / 0.43 = thickness required ("K" value can be obtained from manufacturer of floor material).



Heartland Appliances Inc. 1050 Fountain St North, Cambridge, ON, N3H 4R7

## Installation Requirements Model Heartland Artisan

Ensure these specifications apply to the model you have purchased. Changes may occur in product specification from time to time. Please contact Heartland for the most up to date information, as it applies to product being purchased, or download latest Site Preparation Specifications from [www.heartlandapp.com](http://www.heartlandapp.com).

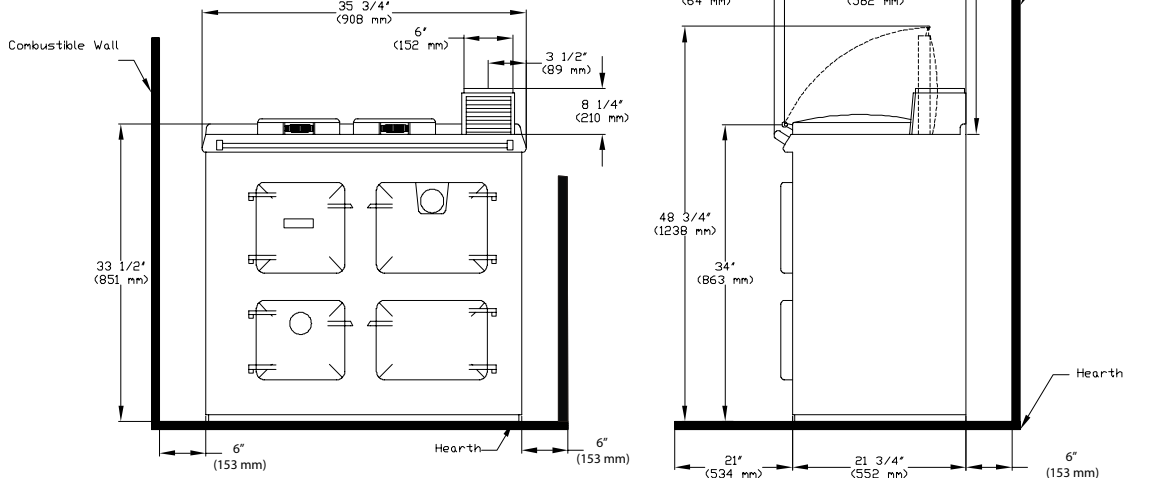


**Help Desk**  
877-650-5775



### Dimensions

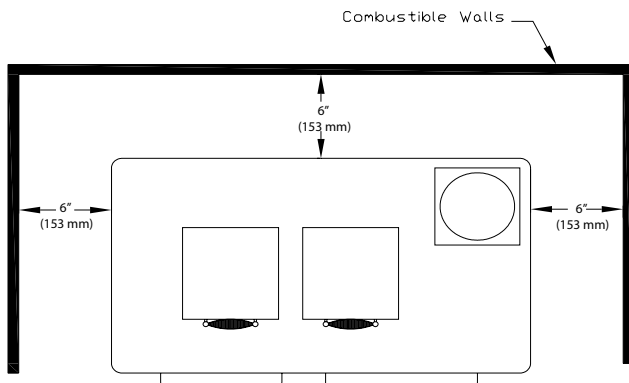
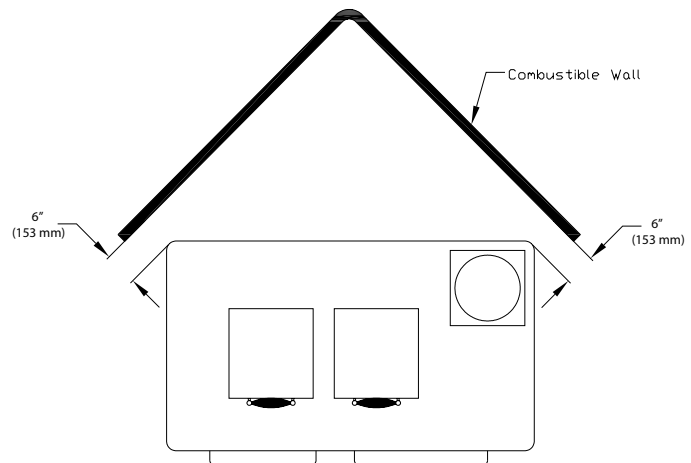
## Clearance to Combustibles with Listed Double Wall Chimney Connector



### Rough In Measurements

All drawings are for reference only, showing approximate dimensions for rough-in purposes. **Do not cut floor or ceiling supports due to chimney installations.**

In some installations, due to room orientation etc., two or more clearances to combustible walls may contradict each other, the clearance with the greater numerical value must be maintained.



Unit must be placed on a continuous non combustible pad (floor tile with grouting or sheet metal pad) extending 21" (534mm) in front and 8" (203mm) to the sides and back of the unit. Hearth must extend to wall if using clearances less than these dimensions.

Hearth extension must be fabricated from non-combustible materials: 1/2" (13 mm) thick minimum with thermal conductivity factor "K" of 0.43 or lower (units of K = btu/ft/h/F/in).

To determine thickness of equivalent material required use formula:  $(\text{"K"} \times 0.5) / 0.43 = \text{thickness required}$  ("K" value can be obtained from manufacturer of floor material).