

Installation & Operating Manual

The Harman FireLuxe Direct Vent Gas Stove With Top Cooking Burner System



WARNING: If the information in these instructions is not followed exactly, a fire or explosion may result causing property damage, personal injury or loss of life.

- Do not store or use gasoline or other flammable vapors and liquids in the vicinity of this or any other appliance.

- WHAT TO DO IF YOU SMELL GAS

- Do not try to light any appliance.
- Do not touch any electrical switch; do not use any phone in your building.
- Immediately call your gas supplier from a neighbor's phone. Follow the gas supplier's instructions.
- If you cannot reach your gas supplier, call the fire department.

- Installation and service must be performed by a qualified installer, service agency or the gas supplier.

This appliance may be installed in an after-market, permanently located manufactured home (USA only) or in a mobile home, where not prohibited by local codes.

This appliance is for use only with the type of gas indicated on the rating plate. This appliance is not convertible for use with other gases, unless a certified conversion kit is used.

Ce manuel est disponible en Français sur demande.



Tested &
Listed By



Beaverton
Oregon USA

OMNI-Test Laboratories, Inc.

Report # 135-S-15-5

INSTALLER: Leave this manual with the appliance.
CONSUMER: Retain this manual for future reference.

AVERTISSEMENT: Assurez-vous de bien suivre les instructions données dans cette notice pour réduire au minimum le risque d'incendie ou d'explosion ou pour éviter tout dommage matériel, toute blessure ou la mort.

- Ne pas entreposer ni utiliser d'essence ni d'autres vapeurs ou liquides inflammables dans le voisinage de cet appareil ou de tout autre appareil.

- QUE FAIRE SI VOUS SENTEZ UNE ODEUR DE GAZ:

- **Ne pas tenter d'allumer d'appareil.**
- **Ne touchez à aucun interrupteur. Ne pas vous servir des téléphones se trouvant dans le bâtiment où vous trouvez.**
- **Appelez immédiatement votre fournisseur de gaz depuis un voisin. Suivez les instructions du fournisseur.**
- **Si vous ne pouvez rejoindre le fournisseur de gaz, appelez le service des incendies.**

- L'installation et l'entretien doivent être assurés par un installateur ou un service d'entretien qualifié ou par le fournisseur de gaz.

Cet appareil peut être installé dans une maison préfabriquée (mobile) déjà installée à demeure si les règlements locaux le permettent.

Cet appareil doit être uniquement avec le type de gaz indiqué sur la plaque signalétique. Cet appareil ne peut être converti à d'autres gaz, sauf si une trousse de conversion est utilisée.

Ne pas utiliser cet appareil s'il a été plongé, même partiellement, dans l'eau. Appeler un technicien qualifié pour inspecter l'appareil et remplacer toute partie du système de commande et toute commande qui a été plongée dans l'eau.

Attention. Au moment de l'entretien des commandes, étiquetez tous les fils avant de les débrancher. Des erreurs de câblage peuvent entraîner un fonctionnement inadéquat et dangereux.

S'assurer que l'appareil fonctionne adéquatement une fois l'entretien terminé.

AVERTISSEMENT. Ne pas utiliser l'appareil si le panneau frontal en verre n'est pas en place, est craqué ou brisé. Confiez le remplacement du panneau à un technicien agréé.

**INSTALLATEUR: Laissez cette notice avec l'appareil.
COMSOMMATEUR: Conservez cette notice pour consultation ultérieure.**

TABLE OF CONTENTS

IMPORTANT SAFETY INFORMATION	4
SPECIFICATIONS	5
INSTALLATION	6
MASSACHUSETTS REQUIREMENTS	7
VENTING	8
ASSEMBLY	14
LIGHTING AND OPERATION	23
REMOTE CONTROL HANDSET OPERATION & PROGRAMMING	26
MAINTENANCE	28
PARTS LIST	30
WARRANTY	31

IMPORTANT SAFETY INFORMATION

The installation must conform with local codes or, in the absence of local codes, with the *National Fuel Gas Code, ANSI Z223.1* or the *Canadian Installation Code, CAN/CGA B149*.

A manufactured home (USA only) or mobile home OEM installation must conform with the *Manufactured Home Construction and Safety Standard, Title 24 CFR, Part 3280* or when such a standard is not applicable, the *Standard for Manufactured Home Installations, ANSI/BCSBCS A225.1*, or *Standard for Gas Equipped Recreational Vehicles and Mobile Housing, CSA Z240.4*.

The appliance and its appliance main gas valve must be disconnected from the gas supply piping system during any pressure testing of that system at test pressures in excess of 1/2 psi (3.5 kPa).

The appliance must be isolated from the gas supply piping system by closing its equipment shutoff valve during any pressure testing of the gas supply piping system at test pressures equal to or less than 1/2 psi (3.5 kPa).

The installation must provide for adequate ventilation air to the appliance.

This gas appliance must not be connected to a chimney flue serving a separate solid-fuel burning appliance.

The appliance, when installed, must be electrically grounded in accordance with local codes, or, in the absence of local codes, with the *National Electrical Code ANSI/NFPA 70*, or the *Canadian Electrical Code, CSA C22. 1*.

When the appliance is installed directly on carpeting or non-ceramic tile or other combustible material other than wood flooring, the appliance shall be installed on a metal or wood panel extending the full width and depth of the appliance. A commercially available hearth pad meets this requirement.

The appliance area must be kept clear and free from combustible materials, gasoline and other flammable vapors and liquids.

The flow of combustion and ventilation air must not be obstructed.

Do not use this appliance if any part has been under water. Immediately call a qualified service technician to inspect the appliance and to replace any part of the control system and any gas control which has been under water.

Due to high temperatures, the appliance should be located out of traffic and away from furniture and draperies.

Children and adults should be alerted to the hazards of high surface temperatures and should stay away to avoid burns or clothing ignition.

Young children should be carefully supervised when they are in the same room as the appliance.

Clothing or other flammable material should not be placed on or near the appliance.

Any screen or guard removed for servicing an appliance must be replaced prior to operating the appliance.

Installation and repair should be done by a qualified service person. The appliance should be inspected before use and at least annually by a professional service person. More frequent cleaning may be required due to excessive lint from carpeting, bedding material, etc. It is imperative that the control compartments, burners and circulating air passageways of the appliance be kept clean.

WARNING: Do not operate the appliance with the glass front removed, cracked or broken. Replacement of the glass should be done by a qualified service person.

WARNING: Use only replacement glass, part number 3-40-21001500 and glass gasket, part number 3-44-00539. Do not use substitute materials. Do not strike or slam the glass front. Do not use abrasive cleaners. Do not clean when hot.

SPECIFICATIONS

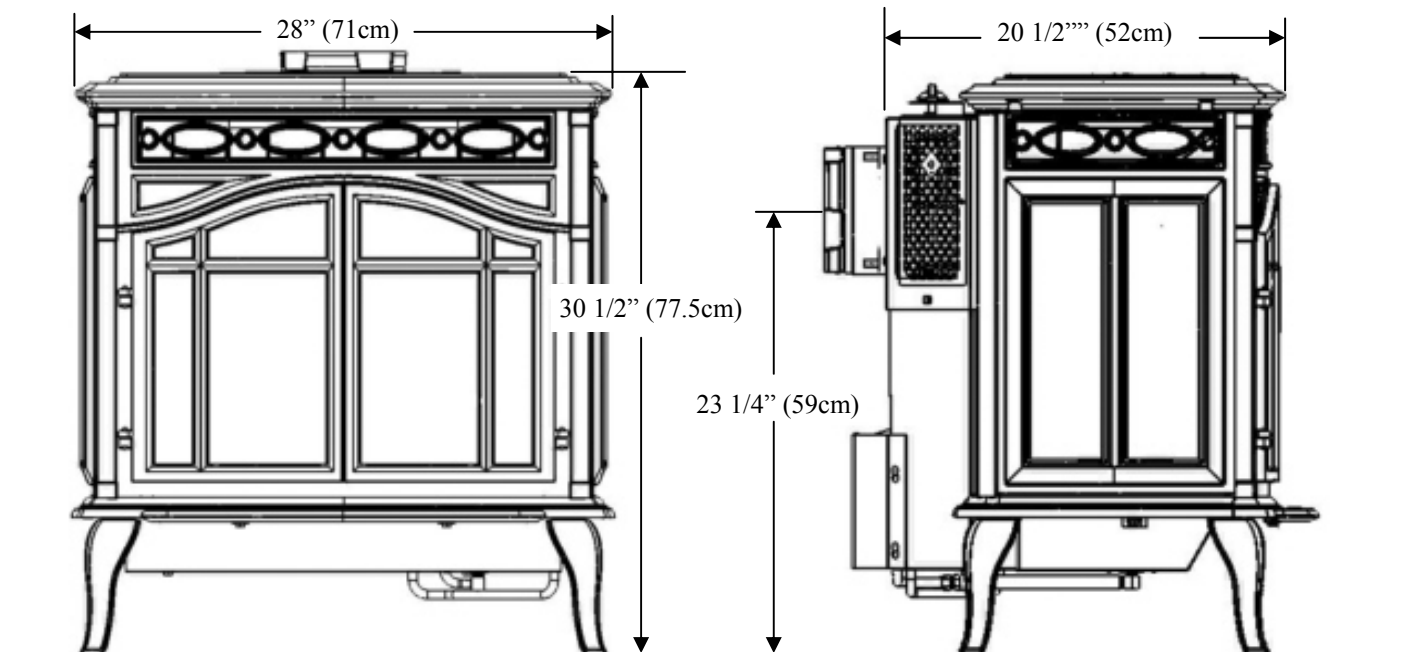
<u>MAIN BURNER</u>	<u>Natural Gas</u>	<u>Propane (LP)</u>
Input Rating-Btu/hr	36000	36000
Min. Input-Btu/hr	23000	23000
Orifice-DMS	#34	#50
 <u>COOKING BURNER</u>		
Input Rating-Btu/hr	12000	12000
Min. Input-Btu/hr	3500	3500
Orifice-DMS	#52	#58
 <u>GAS SUPPLY</u>		
Manifold Pressure	4.5" w.c./1.3kPa	10.0" w.c./2.5kPa
Min. Supply Pressure	5.0" w.c./1.3kPa	11.0" w.c./2.8kPa
Max. Supply Pressure	10.0" w.c./1.8kPa	13.0" w.c./3.3kPa
Annual Fuel Utilization Efficiency (AFUE)	72.7%	74.9%
Steady State Efficiency	73.4%	75.6%

It is recommended that the pilot flame be turned off if the appliance will not be in use for an extended period of time.

This appliance is equipped for use with the fuel type indicated on the rating plate. Fuel conversion kits that include the necessary parts and instructions are available from your installer, dealer or Harman Stove Co.

This appliance has been certified by OMNI-Test Laboratories, Inc. to ANSI Z21.88-2005 • CSA 2.33-2005 Vented Gas Fireplace Heaters and CAN1-2.17-M91, Gas-Fired Appliances for Use At High Altitudes.

The FireLuxe is approved for installation at elevations up to 2000 feet in the U.S. and 1370 meters (4500 feet) in Canada without change. If your installation is at an elevation greater than these, consult with the local authority having jurisdiction for gas product installations to determine their specific requirements for high altitude installations.



INSTALLATION

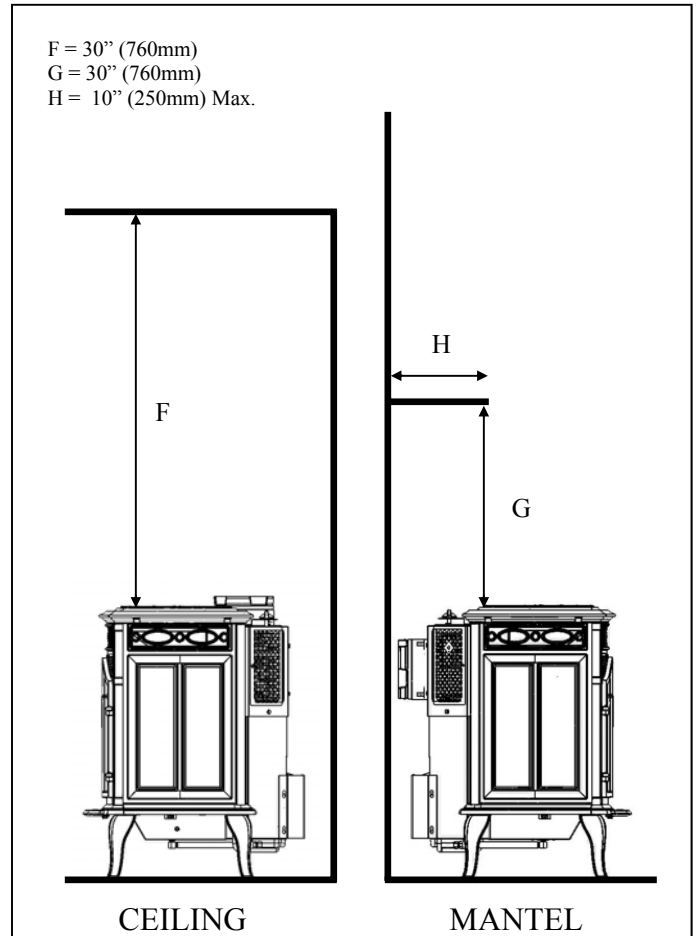
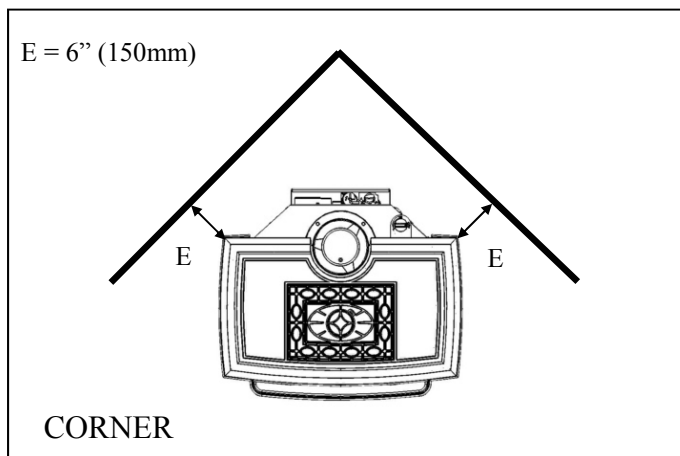
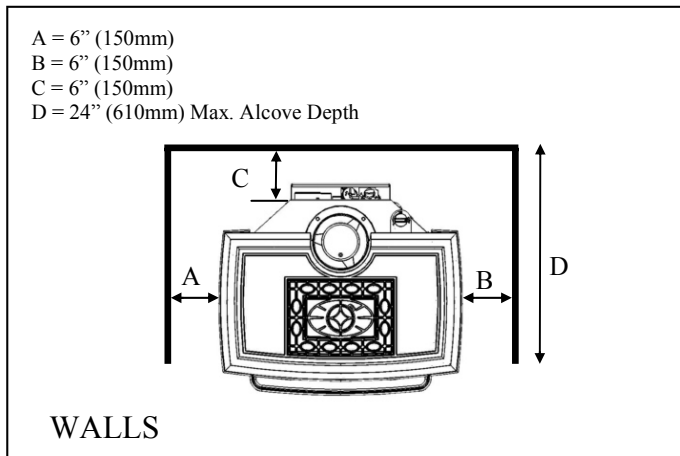
Several issues must be addressed when selecting a suitable location for your FireLuxe. The minimum clearances to combustible construction are listed below. In addition, access to the gas supply and electrical supply must be considered. The location of the stove will also affect the venting requirements and you must be certain the location will allow compliance with the venting requirements shown on pages 8 – 13. You must also insure that your installation provides adequate accessibility clearance for servicing and proper operation.

When the appliance is installed directly on carpeting or tile or other combustible material other than wood flooring, the appliance shall be installed on a metal or wood panel extending the full width and depth of the appliance.

Installation and repair should be done by a qualified service person. The appliance should be inspected before use and at least annually by a professional service person. More frequent cleaning may be required due to excessive lint from carpeting, bedding material, etc. It is imperative that the control compartments, burners and circulating air passageways of the appliance be kept clean.

MINIMUM CLEARANCES TO COMBUSTIBLE CONSTRUCTION

Stove to Left Side Wall	6" (150mm)	Stove to Corner Wall	6" (150mm)
Stove to Right Side Wall	6" (150mm)	Stove to Ceiling	30" (760mm)
Stove to Rear Wall	6" (150mm)	Stove to 10" Deep Mantel	30" (760mm)
Max. Alcove Depth	24" (610mm)		



INSTALLATION

NOTE: If you will be installing the optional warming shelves, make sure to plan for the additional width that they occupy. For the details, see the information included with the warming shelf kit.

The gas stove is shipped with a flexible connector that has a 1/2" NPT female connection. The gas supply piping should have a separate gas shutoff valve and a 1/8" NPT plugged tapping upstream of the valve. The stove and its main control valve must be disconnected from the gas supply piping system during any pressure testing of that system at test pressures in excess of 1/2 psi (3.5 kPa). The stove must be isolated from the gas supply piping system by closing the main control valve during any pressure testing of the gas supply system at test pressures equal to or less than 1/2 psi (3.5 kPa). After the gas supply has been connected, apply a soapy water solution to all the fittings to check for gas leaks. Never use a flame to test for leaks.

REQUIREMENTS FOR THE COMMONWEALTH OF MASSACHUSETTS

This product must be installed by a licensed plumber or gas fitter when installed within the Commonwealth of Massachusetts. If this appliance is installed in a dwelling, building or structure used in whole or in part for residential purposes and the installation includes a horizontal vent termination that is less than seven (7) feet above the finished grade in the area of the venting, including but not limited to decks and porches, a hard-wired carbon monoxide detector with an alarm and battery back-up must be installed on the floor level of the dwelling, building or structure where the appliance is to be installed.

Additionally, a hard-wired or battery operated carbon monoxide detector with an alarm must be installed on each additional level of the dwelling, building or structure served by the appliance. It shall be the responsibility of the property owner to secure the services of qualified licensed professionals for the installation of hard-wired carbon monoxide detectors.

In the event that the horizontally vented appliance is installed in a crawl space or attic, the hard-wired carbon monoxide detector with alarm and battery back-up may be installed on the next adjacent floor level.

In the event that this requirement cannot be met at the time of completion of the installation of the appliance, the owner shall have a period of thirty (30) days to comply with the requirement. However, during said thirty (30) day period, a battery operated carbon monoxide detector with alarm must be installed.

Each carbon monoxide detector as required in accordance with the above provisions must comply with NFPA 720 and be ANSI/UL 2034 and IAS certified.

In addition when the stove is horizontally vented and the vent termination is less than seven (7) feet above finished grade a metal or plastic identification plate must be permanently mounted to the exterior of the building at a minimum height of eight (8) feet above grade directly in line with the exhaust vent terminal. The sign shall read, in print size no less than one-half (1/2) inch in size, "GAS VENT DIRECTLY BELOW. KEEP CLEAR OF ALL OBSTRUCTIONS".

A COPY OF THESE INSTRUCTIONS PLUS ALL VENTING INSTRUCTIONS WHICH INCLUDE PARTS LISTS, AND/OR ALL VENTING DESIGN INSTRUCTIONS MUST REMAIN WITH THE STOVE AT THE COMPLETION OF THE INSTALLATION.

ATTENTION INSTALLERS: Mark below which venting system was used in the installation. These instructions must remain with the FireLux Installation & Operation Manual.

Simpson DuraVent GS AmeriVent Direct Security Secure Vent Selkirk DT

To avoid confusion discard the all vent manufacturers instructions that do not apply to this installation.

VENTING

The FireLuxe Gas Stove has been tested and listed for installation with 4" X 6 5/8" Simpson DuraVent GS, AmeriVent Direct, Security Secure Vent and Selkirk DT direct venting components. For specific installation requirements, follow the installation instructions included by the venting manufacturer with the venting system components you have chosen. The total vent length may not exceed 40 feet, including vertical rise and horizontal run. The vent lengths are measured from the stove, not the floor. The minimum vertical rise required is 2 feet. The maximum allowed horizontal vent run is 20 feet when the venting includes at least 5 feet of vertical rise. The maximum allowed horizontal vent run for vertical rises of less than 5 feet is shown in the venting charts. No more than three elbows may be used in any installation. The venting charts include the use of one elbow. For the second or third elbows that are included in the installation, add 4 feet to the actual horizontal run for each elbow to determine the equivalent horizontal run for the installation.

The venting charts allow a simple way to determine the recommended initial settings for both the air inlet and exhaust restrictors. These settings have been determined by extensive testing and will be a good starting point while setting up the stove. Small adjustments from these settings may be needed to account for specific installation variables. Please see the instructions on pages 21 - 22 for how to adjust the restrictors.

The letters (A-E) designate the position of the air inlet restrictor. When $\frac{1}{2}$ is added to the letter designation, this indicates that the position is halfway between adjacent letters. The numbers (0-8) indicate the position of the exhaust restrictor. When $\frac{1}{8}$, $\frac{1}{4}$, $\frac{3}{8}$, $\frac{1}{2}$, or $\frac{3}{4}$ is added to the number designation, this indicates that the position is fractionally between adjacent numbers. For example, $5\frac{1}{4}$ is one-fourth the way between 5 and 6.

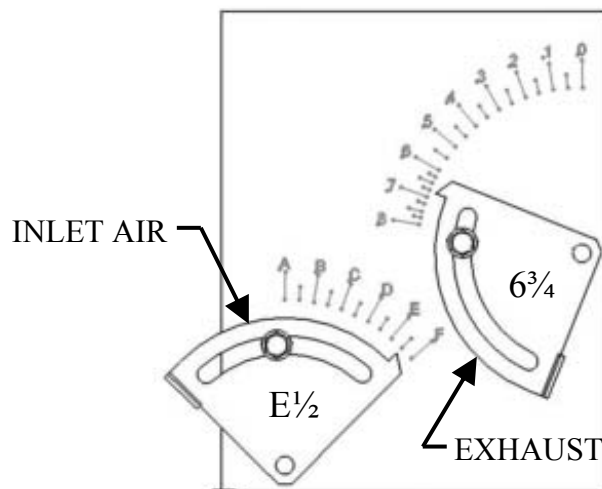
To use the charts, determine the horizontal run length and vertical rise length (in feet) for your installation. If more than one elbow is used, add 4 feet to the actual horizontal run length for each additional elbow to get the equivalent horizontal run for the chart. Note: Remember that a maximum of three elbows is allowed. Select the venting chart for the fuel type (Natural Gas or Propane (LP) Gas) and find the box on the chart that corresponds to the vertical rise and actual horizontal run (or equivalent horizontal run, if two or three elbows are used) and read the settings for the inlet air restrictor (A-E) and exhaust restrictor (0-8). Examples are shown below and on page 9.

The FireLuxe is shipped with a Simpson DuraVent GS starter section that is specifically designed for the FireLuxe. Regardless of the venting brand you chose, you must use the provided DuraVent starter section. All of the venting brands listed for use with the FireLuxe are compatible with the provided starter section. For venting system installation details, refer to the instructions provided with the venting system you have chosen. Each brand has specific installation requirements that must be followed to insure a safe and functional venting system for your FireLuxe.

Note: The Fireluxe is shipped from the factory with restrictor settings for 2 feet of vertical rise and 1 foot of horizontal run and for the fuel type listed on the rating plate attached to the rear of the stove.

Example 1

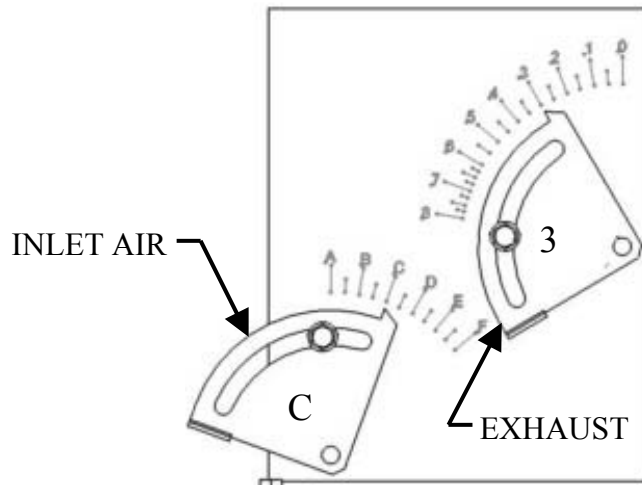
Fuel = Propane (LP)
Vertical Rise = 15 feet
Horizontal Run = 8 feet
Elbows = 1
Equivalent Horizontal Run = 8 feet
Air Restrictor Setting = $E\frac{1}{2}$
Exhaust Restrictor Setting = $6\frac{3}{4}$



VENTING

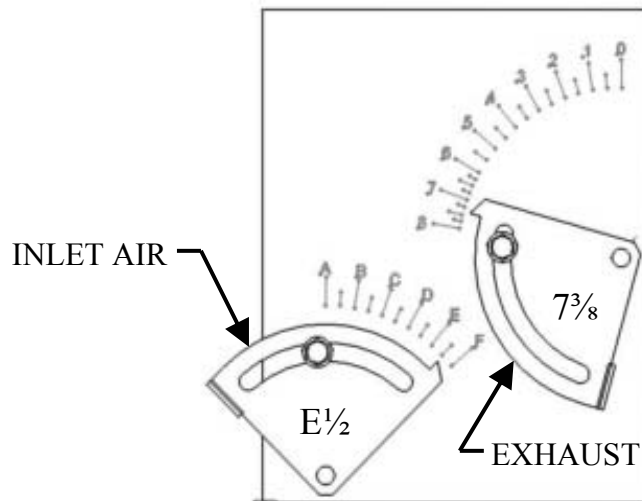
Example 2

Fuel = Propane (LP)
Vertical Rise = 6 feet
Horizontal Run = 8 feet
Elbows = 3
Equiv. Horizontal Run = 16 feet (8+4+4)
Air Restrictor Setting = C
Exhaust Restrictor Setting = 3



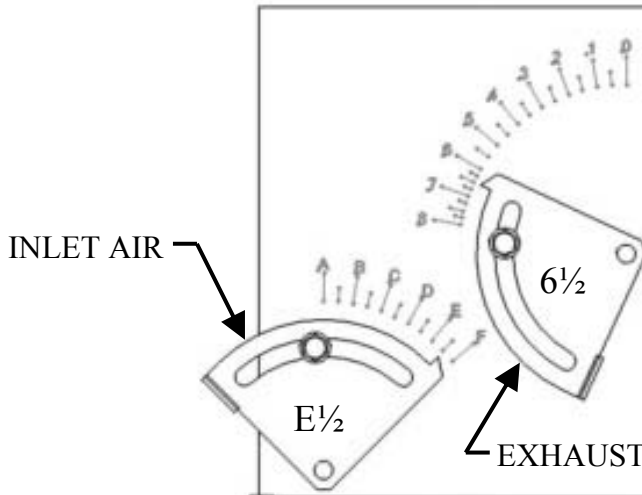
Example 3

Fuel = Natural Gas
Vertical Rise = 22 feet
Horizontal Run = 0 feet
Elbows = 0
Equiv. Horizontal Run = 0 feet
Air Restrictor Setting = E 1/2
Exhaust Restrictor Setting = 7 3/8



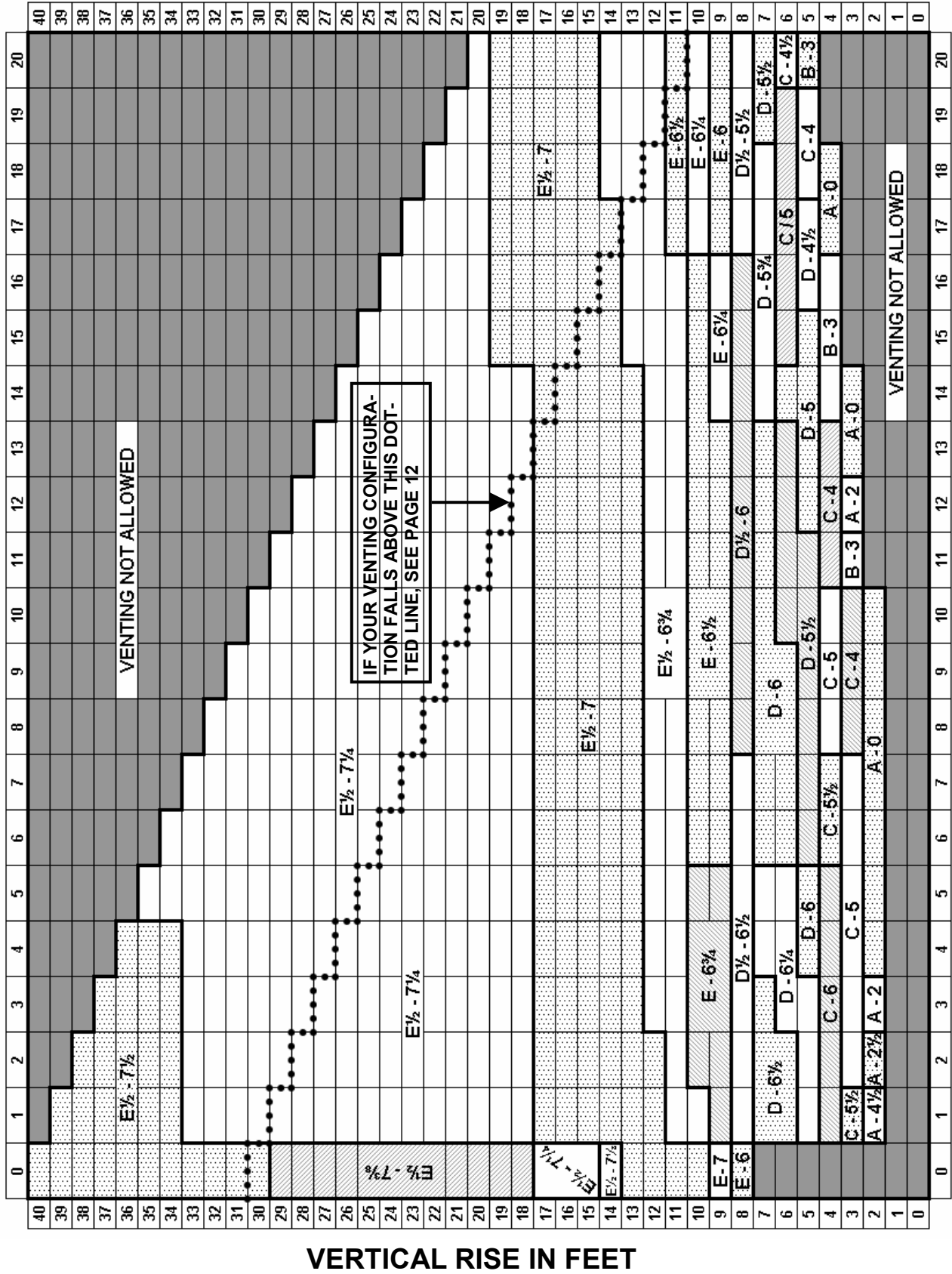
Example 4

Fuel = Propane (LP)
Vertical Rise = 12 feet
Horizontal Run = 4 feet
Elbows = 1
Equiv. Horizontal Run = 4
Air Restrictor Setting = E 1/2
Exhaust Restrictor Setting = 6 1/2



VENTING

NATURAL GAS VENTING



VENTING

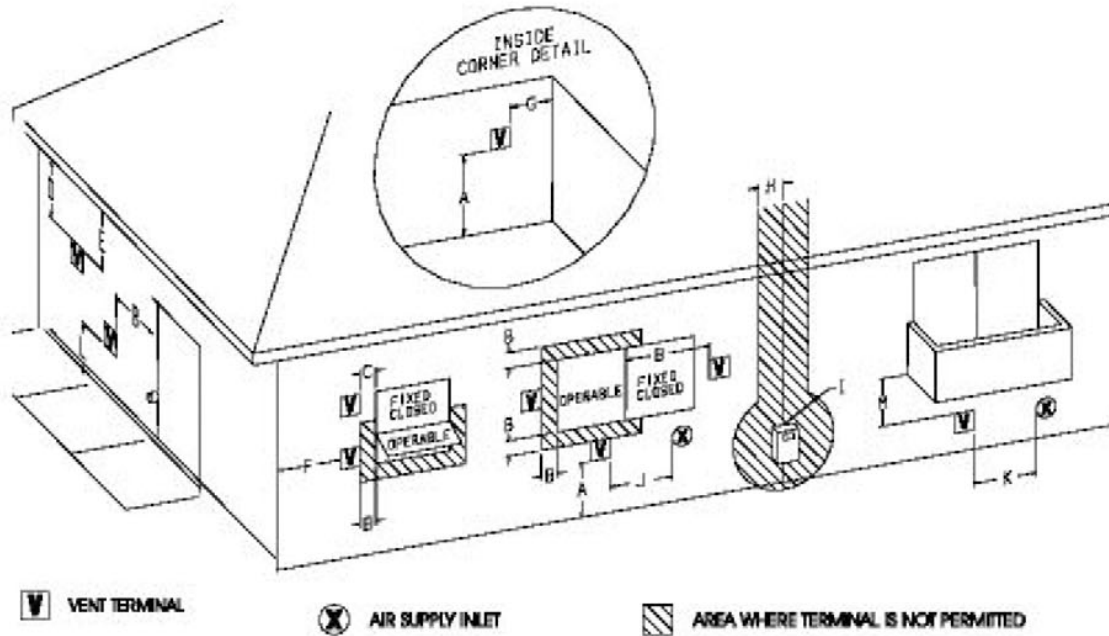
PLEASE NOTE: If your specific venting configuration falls in a box in the venting charts (on pages 10 & 11) that is above the dotted line (•••••), you must use one of the approved direct vent venting systems that utilizes a stainless steel inner liner. The dotted line corresponds to a total vent length of 30 feet including vertical rise and horizontal run. This requirement is part of the ANSI standards and is based on testing conducted to determine where the exhaust gas temperature drops to the point where condensation might occur in the vent pipe. The standards require the use of corrosion resistant liner materials if that specific total vent length is exceeded.

VENTING INTO AN EXISTING MASONRY OR CLASS A CHIMNEY

The FireLuxe has been tested and found to be in compliance when using an existing chimney as the air conduit for the direct venting system. This type of installation is used when replacing an existing wood-burning stove with a FireLuxe direct vent gas stove. Check with the venting manufacturer to see if they have the needed components or kits for this type of installation. Also, check the vent manufacturer's installation instructions for the specific details and requirements for this type of installation. The chimney must be in good condition with no cracks or leaks for this type of installation and the venting components must be sealed where they meet the existing chimney. Also, check with the local authority having jurisdiction to see if this type of installation is allowed in your area.

RESERVED FOR FUTURE VENTING CONFIGURATION INFORMATION

VENTING



VENT TERMINAL CLEARANCES

	Canadian Installations ¹	U.S. Installations ²
A = Clearance above grade, veranda, porch, deck or balcony	12 inches (30 cm)	12 inches (30 cm)
B = Clearance to window or door that may be opened	12 inches (30 cm)	9 inches (23 cm)
C = Clearance to a permanently closed window	See Footnotes 5 & 6	See Footnote 5
D = Vertical clearance to a ventilated soffit located above the terminal within a horizontal distance of 2 feet (61 cm) from the centerline of the terminal	See Footnotes 5 & 6	See Footnote 5
E = Clearance to unventilated soffit	See Footnotes 5 & 6	See Footnote 5
F = Clearance to inside corner	See Footnotes 5 & 6	See Footnote 5
G = Clearance to outside corner	See Footnotes 5 & 6	See Footnote 5
H = Clearance to each side of centerline extended above meter/regulator assembly	3 feet (91 cm) within a height of 15 feet (4.5 m) above the regulator/meter assembly	See Footnote 5
I = Clearance to service regulator vent outlet	3 feet (91 cm)	See Footnote 5
J = Clearance to non-mechanical air supply inlet to building or the combustion air inlet to any other appliance	12 inches (30 cm)	9 inches (23 cm)
K = Clearance to a mechanical air supply inlet	6 feet (1.83 m)	3 feet (91 cm) above if within 10 feet (3 m) horizontally
L = Clearance above paved sidewalk or paved driveway located on public property	7 feet (2.12 m)	See Footnote 5
M = Clearance under veranda, porch, deck or balcony	12 inches (30 cm) See Footnote 4	See Footnote 5

Footnotes

- 1 In accordance with the current CSA B419.1, Natural Gas and Propane Installation Code
- 2 In accordance with the current ANSI Z223.1 / NFPA 54, National Fuel Gas Code
- 3 A vent shall not terminate directly above a sidewalk or paved driveway that is located between two single family dwellings and serves both dwellings.
- 4 Permitted only if veranda, porch, deck or balcony is fully open on a minimum of two sides below the floor.
- 5 Clearance in accordance with local installation codes and the requirements of the gas supplier.
- 6 Dégagement conforme aux codes d'installation locaux et aux exigences du fournisseur de gaz.

Venting terminals shall not be recessed into a wall or siding.

ASSEMBLY

UNPACKING AND PLACING THE FIRELUXE

By now, you will have removed the shipping carton from the base pallet. The FireLux is shipped on specially designed shipping supports that keep the weight of the stove off the legs to avoid damaging them during transit. Cut the strapping that secures the stove to the pallet. The stove must be lifted straight up to disengage it from the shipping brackets. The best place to lift is at the base of the stove sides. The stove top and front have to be removed in order to unpack and install the logs and top cooking burner parts. Removing them now will reduce the weight and make it easier to lift the stove. Also, locate the ashlip and ashlip mounting hardware and set aside in a safe location. It will be installed later.

First, remove the cast iron stove top. This is accomplished by simply lifting up on the top as it is a gravity fit. The top is heavy and extra care should be taken when handling it, especially if the stove is enameled. Set the top aside on a padded surface. A carpeted floor is a good choice.

Remove the top cooking grill and the cooking burner cover plate and set aside for now. They are packed in bubble wrap or foam packing and are located on the now exposed top of the stove's firebox.

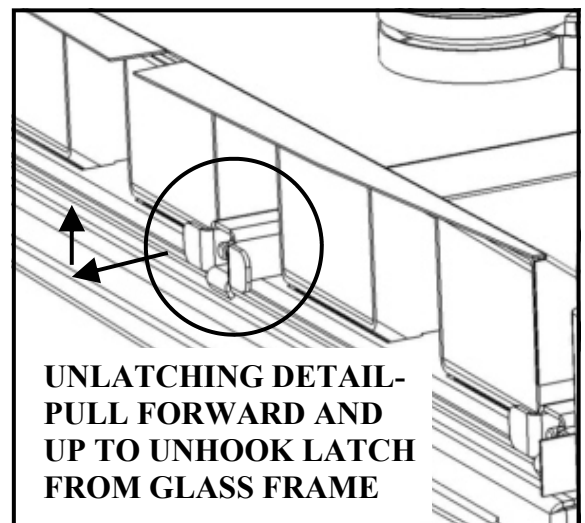
Remove the stove front by lifting it straight up to disengage the tabs that secure it to the sides. Once it is disengaged, you can move the front away from the stove body. Note: The front doors may have a tendency to swing open while you are handling the front. Placing a small piece of masking tape around the two doors where they meet at the center will keep the doors from moving. Set the front aside with the back side down taking extra care if it is enameled.

With these parts removed and set aside, lift the stove up and off the pallet and set it near to its installation position. Like any cast iron stove, it is best to pick the stove up while adjusting its position rather than dragging it on its legs. This reduces the chances of damaging a leg or chipping enamel or of damaging the hearth surface. This is the best time to install the optional blower kit if being used. See the instructions included with the blower kit.

The legs have leveling screws that will allow you to compensate for irregularities on the surface under the stove. Using as little adjustment as possible for each leveling screw, adjust them as needed to get the stove as level as possible both side to side and front to back. This is important since the FireLux includes a top cooking burner and having the stove level will reduce the likelihood of spillage while cooking.

The FireLux is shipped set up for the fuel type indicated on the rating plate attached to the rear of the stove. Note: If you need to switch fuels, please see the instructions included with the appropriate fuel conversion kit. The logs are shipped in protective material inside the firebox and do need to be unpacked and installed on the burner.

With the stove top and front removed and safely set aside during the unpacking process, unlatch each of the three glass frame latches by pulling forward on the latch finger tabs while lifting up. See the adjacent illustration. This will allow the glass frame to tip slightly forward. The glass is loose in the frame, held in place only by friction from the gasket so it is very important to support both the glass and the frame when handling. Place your thumbs on the outside of the glass frame and wrap your fingers around the frame and onto the glass. Squeeze the frame and glass while moving. Carefully lift the glass frame and glass up and off the stove. Set the glass and frame aside on a padded surface. The outside of the frame should be facing down so the glass will stay in place.



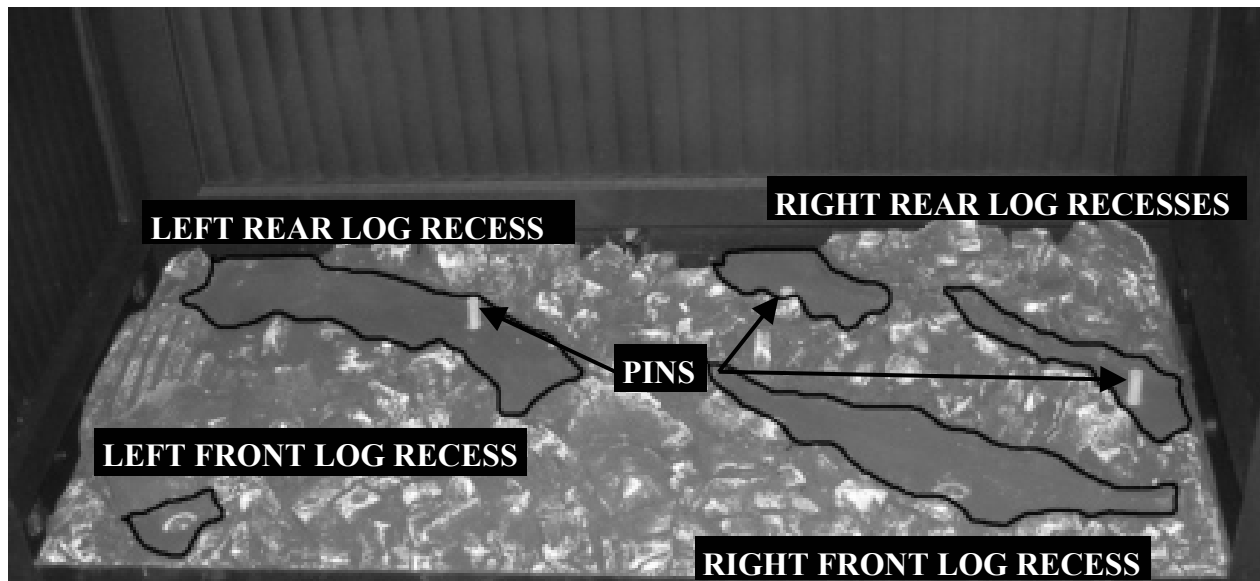
ASSEMBLY

LOGS AND EMBERS

Slide the logs and packing out of the firebox and set on the floor. Carefully unpack each of the four logs and three loose ember pieces. The logs and embers are somewhat fragile and will not survive being dropped from any significant height.

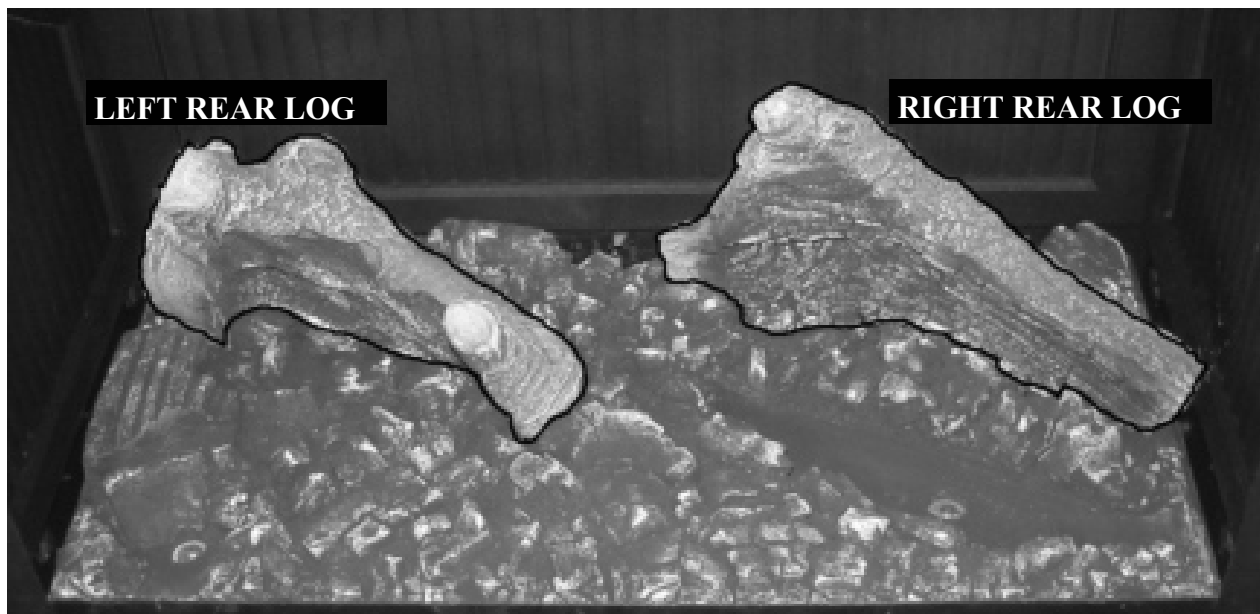
Remove the protective cover material from the top of the burner.

Each of the four logs is unique and must be placed in a precise location on top of the burner. The burner and log system is designed to facilitate correct placement of the logs. Flat recessed areas on the burner top are keyed to each of the four main logs. The rear logs also have locating pins with corresponding sockets in the logs. The following illustration highlights these features.



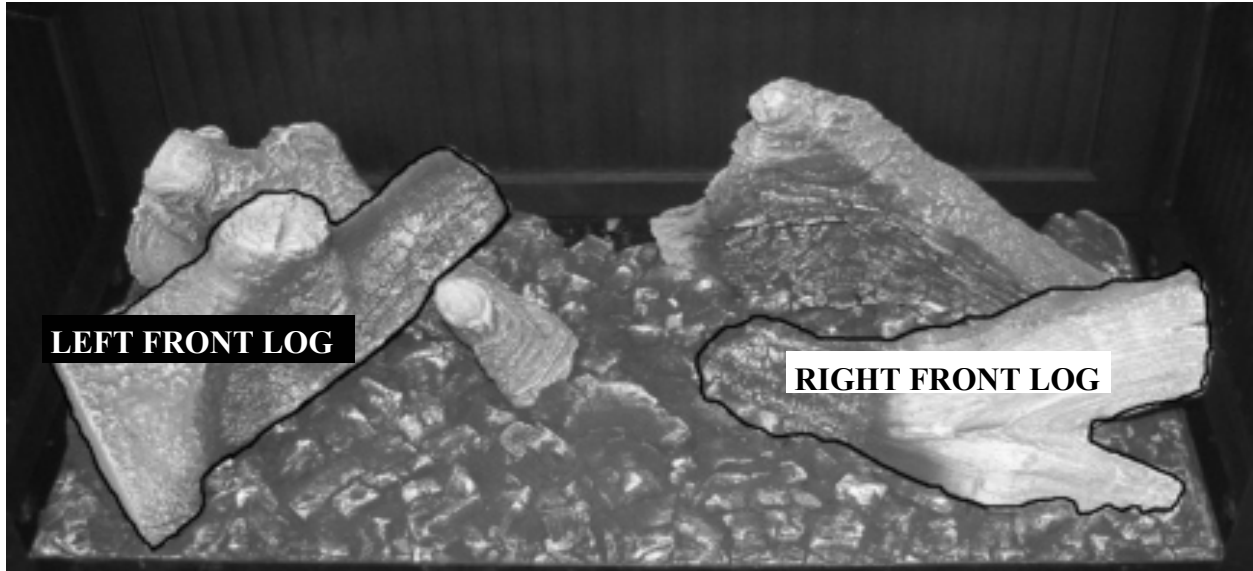
Place the left rear log first. There is a recessed area in the burner top as well as a locating pin in and a corresponding socket in the log. Line-up the socket over the pin and place the log in the recess.

Place the right rear log next. There is a recessed area on the top of the burner that corresponds to the shape of the base of the log. Simply place the log in the recess. The following illustration shows the proper positions for the two rear logs.

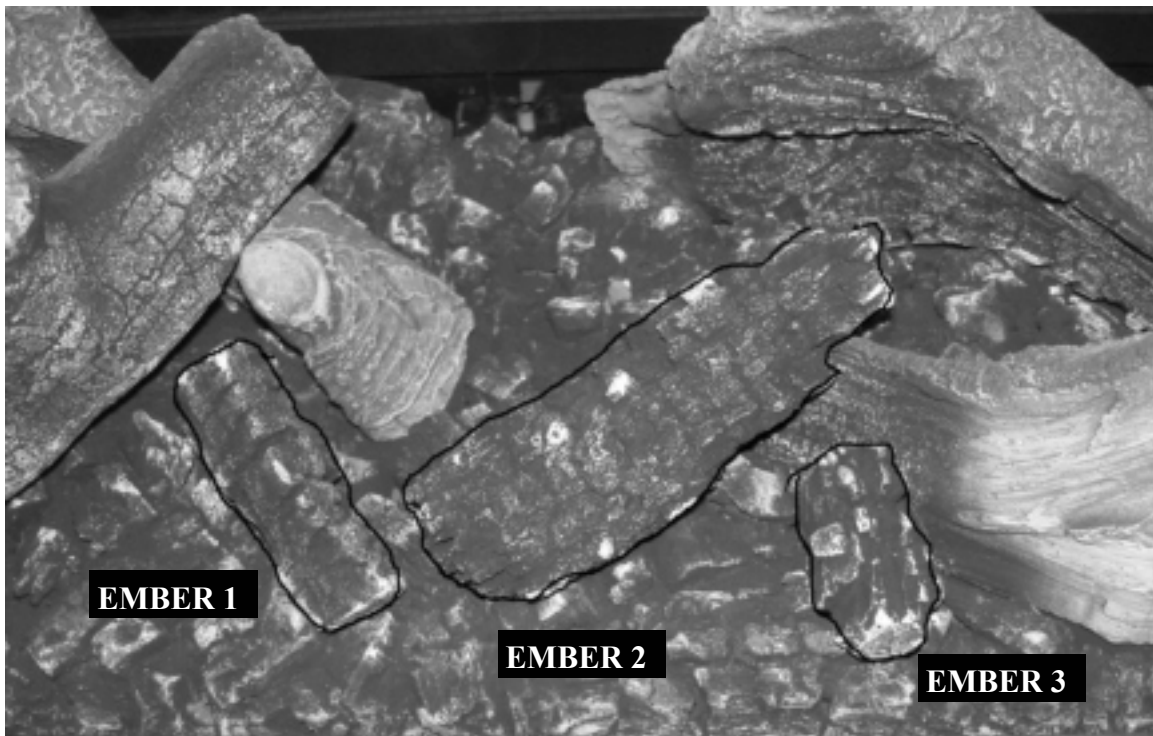


ASSEMBLY

Place the left front log next. Again, there is a recess on the burner top that corresponds to the shape of the flat base of the log. Place the left end of the log in the recess and rest the right end on the left rear log using the illustration below as a guide. Place the right front log last. Again, place the flat base of the log in the corresponding recess in the burner top per the illustration below.

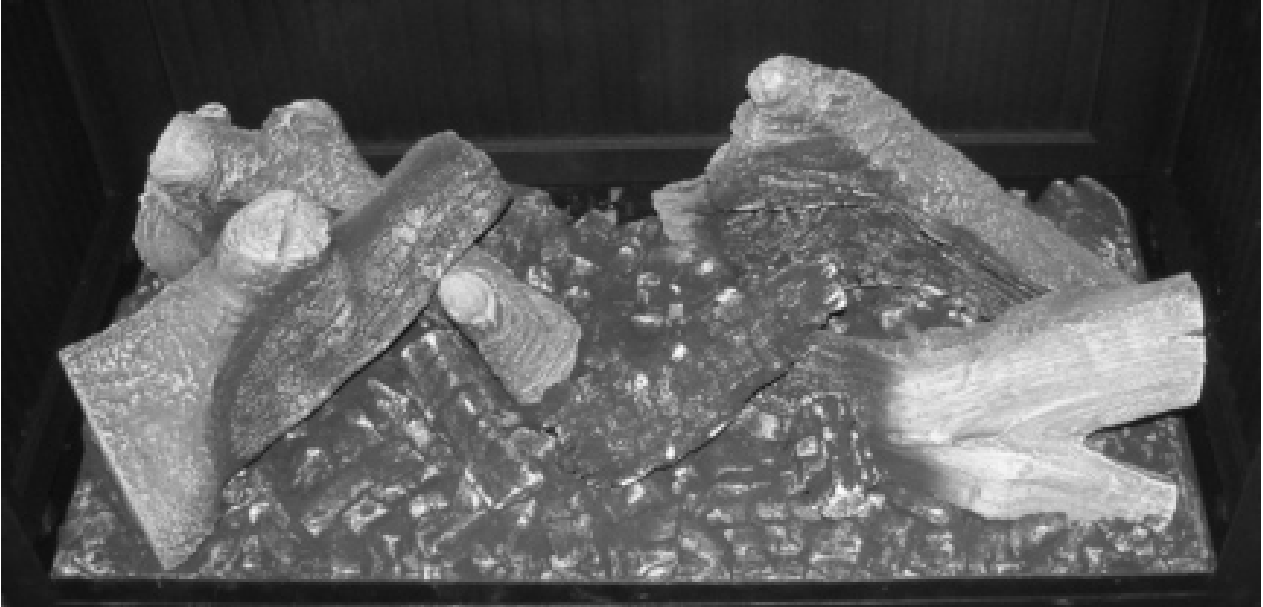


There are three loose ember pieces. Each ember piece has a specific location on the burner. Refer to the illustration below to get the proper placement and orientation for each ember piece. If you look carefully, you will see that each ember has features that will help you in placement relative to the burner surface and the logs.



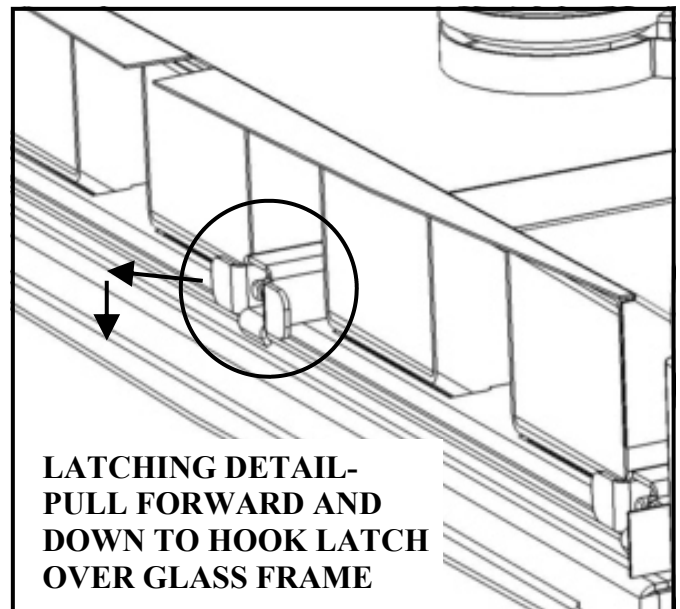
ASSEMBLY

When correctly placed, the logs and embers will look like the illustration below.



After the logs and embers have been placed, the next step is to replace the glass panel and frame. Carefully pick up the glass and glass frame assembly by grasping the sides of the frame and using your thumbs and fingers to hold the glass in place within the gasket and frame.

With the glass frame (and glass) at a slight angle (leaving room for your fingers between the frame and the firebox) insert the bottom edge of the frame into the frame retainer located on the bottom front of the firebox. Take care to center the frame from left to right. Once the bottom edge is in place, move your fingers out of the way and press the top of the frame against the firebox while pushing down to be sure the frame is fully engaged in the frame retainer. Hold the frame in place with one hand and engage the three glass frame latches by pulling out and down while hooking them over the frame.



Top or Rear Vent

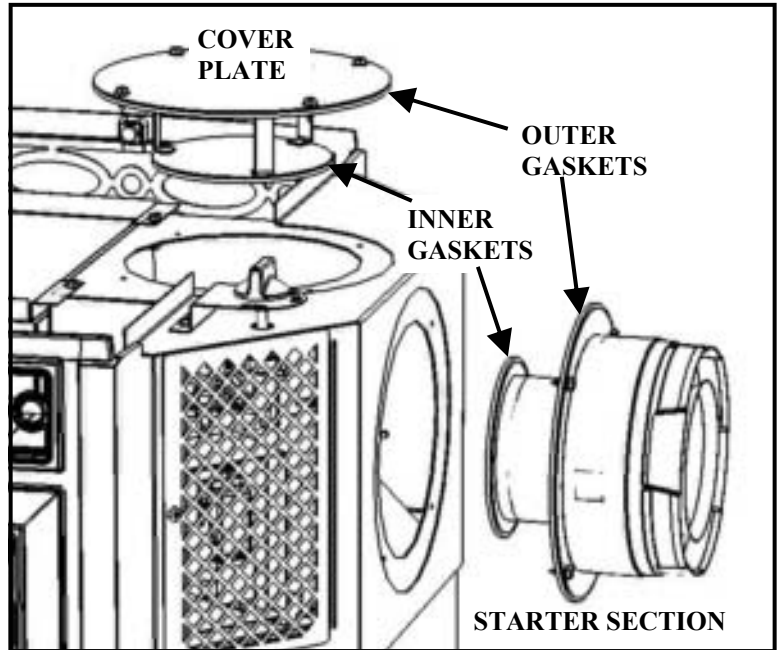
The FireLuxe has provisions for either top or rear venting but is shipped from the factory set-up for top venting. The rear position is sealed with a special cover plate. If your installation requires rear-venting, you will need to reverse the positions of the starter section and the cover plate.

Remove the four screws that secure the vent starter section flange to the stove and remove the starter. There are two ceramic fiber gaskets that seal the starter to the stove. These gaskets are very important! Take care in handling these gaskets as they are somewhat fragile and will tear. Remove the vent cover plate from the rear of the stove following the same procedure as the starter. Install the cover plate on the top vent opening.

ASSEMBLY

Be sure that the inner and outer gaskets are in their proper positions. Install and tighten the four screws. Finally, install the vent starter section in the rear vent position. Again, make sure that the inner and outer gaskets are in their proper positions and install and tighten the four screws.

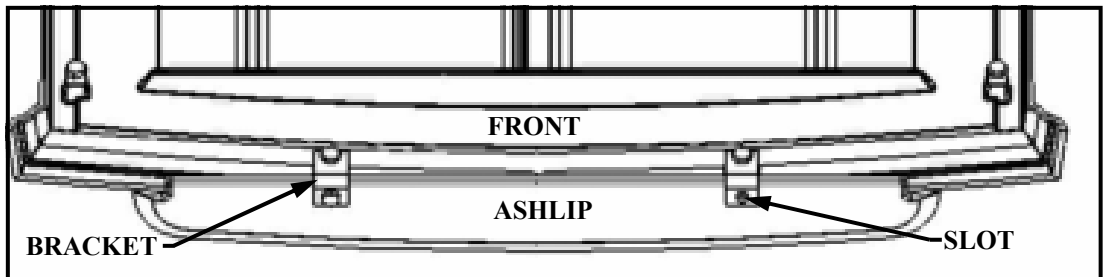
At this time, you will also want to install the optional cast iron plate that fills in the top vent cutout on the stove top. With the bottom of the top facing up, place the filler plate in the cutout with the filler plate edge molding aligned with the edge molding on the top. Using the bracket and three fasteners included with the filler plate kit, secure the filler plate to the top. See the illustration included with the optional filler plate kit for more information.



It is now time to install the ashlip on the stove front and to install the stove front and stove top.

The ashlip is secured to the front using two brackets and four 1/4 – 20 hex head bolts. With the front facing down on a padded surface, align the mounting bosses on the ashlip with the mounting bosses on the front. Install the two “L”-shaped brackets with the slotted end on the ashlip. Tighten the bolts to the front but leave the bolts to the ashlip finger tight. Carefully turn the front over. Adjust the ashlip so that it is tight

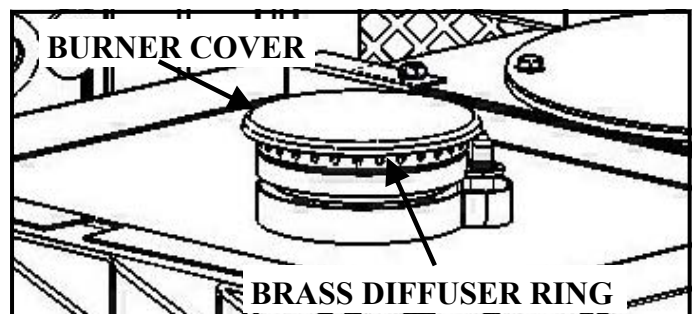
against the lower molding on the front. Tighten the ashlip bolts. Take care with an enamel stove to prevent chipping.



Replace the stove front by aligning the outer edges with the stove sides while the front is about 1/2 to 1” above its final position. This is to allow the sheet metal tabs that secure it to the sides to be above the mating cast iron tabs on the sides. Carefully push the front in while allowing it to slide down. All four tabs (two top and two bottom) should engage with the sides. Once the front has reached the proper position, check the vertical alignment by looking at the alignment of the edges of the front to the casting details on the side. They should be parallel. If they are not, simply push or pull on the front until a good visual alignment is obtained. Take extra care with this procedure if your stove is enameled. Just move in small increments as you line up the tabs and lower the front into place. If you take your time, you will avoid chipping. Remove any masking tape used to secure the doors.

Remove any masking tape used to secure the doors.

Next, install the brass diffuser ring and top burner cover on the cooking burner. This is a small round disk that sits on top of the brass diffuser ring on the top burner. If you look at the back side of the diffuser, you will see alignment tabs. They correspond to alignment locations on the burner. The cover is simply centered in the diffuser.



ASSEMBLY

Next, reinstall the top. This is a gravity fit. Carefully align the inner edge of the top with the outer edges of the sides and front. Lower the top down into place. Check to see if it is level and push down as needed to get the proper alignment relative to the aesthetic details on the front and sides.

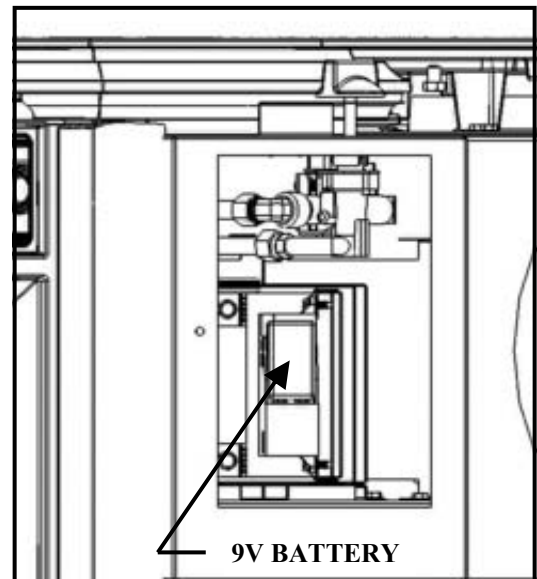
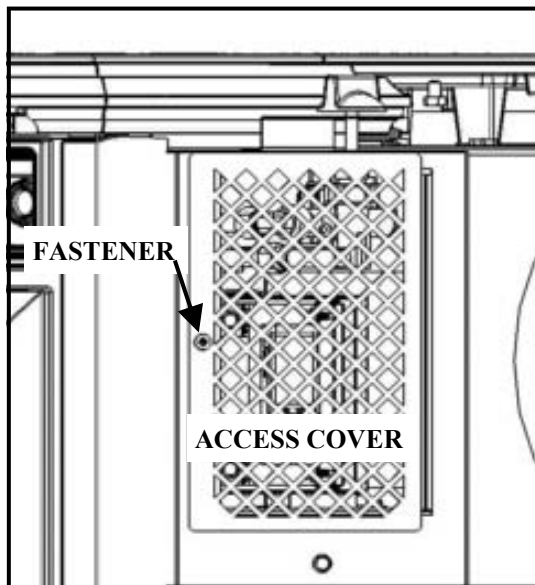
Finally, install the top cooking grate. This simply sits over the burner. A raised border on the stove top defines the cooking grate position.

BATTERY INSTALLATION OR REPLACEMENT

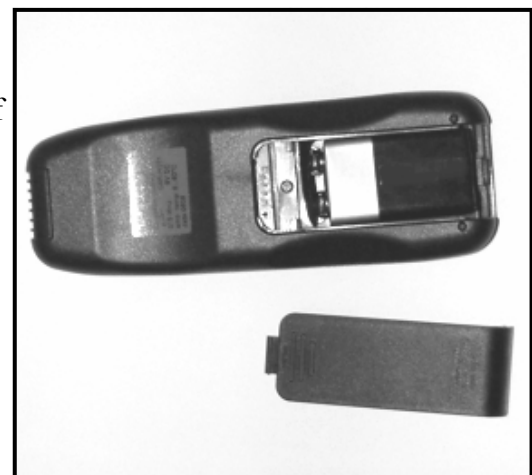
The batteries used to power the burner control systems on the FireLux® should last a full season or more with normal use. Battery life for the main burner control system will be reduced if you are manually modulating the flame up and down on a frequent basis.

There are three battery locations.

The electronic ignition module for the cooking burner is located behind an access panel located on the right rear of the stove (when looking from the stove front). A single fastener secures the panel. Simply remove fastener and the panel to access the single 9-volt battery. Unsnap the old battery from the module and replace with a fresh one. Use a high quality long-life alkaline battery. Replace the access panel and fastener. Refer to the illustrations below.



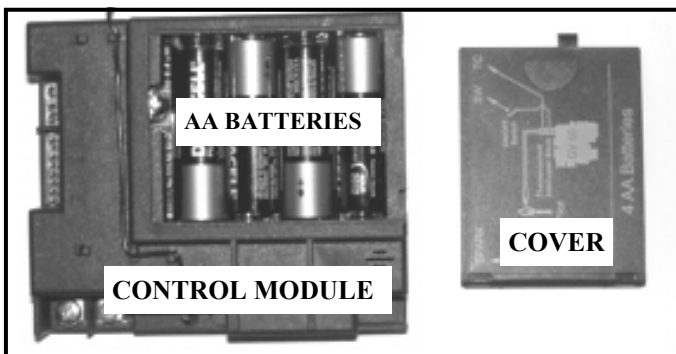
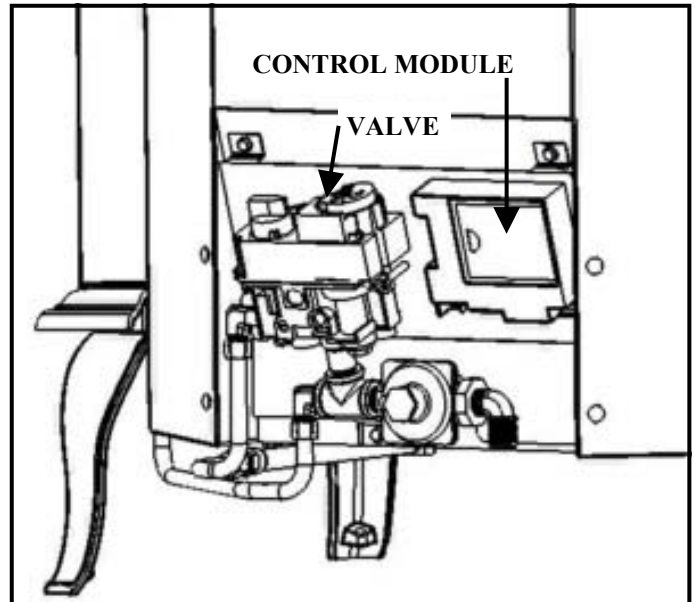
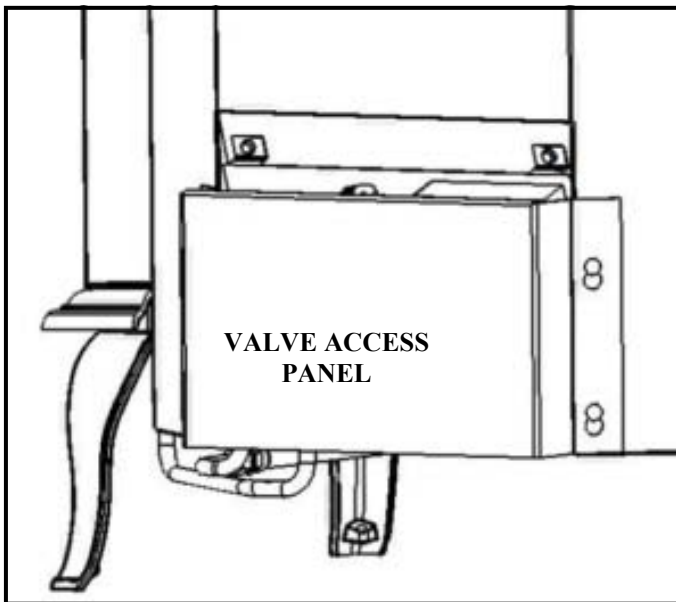
The remote control handset is powered by a 9-volt battery. There is a low battery indicator on the handset display panel. To replace the battery, remove the access cover from the rear of the handset and unsnap the old battery. Replace with a high quality long-life alkaline battery and reinstall the cover.



ASSEMBLY

The main heating valve battery pack is located at the center rear of the stove. A removable valve access panel covers the valve components and simply lifts up and off the stove back. The batteries are located in the control module next to the actual valve. The battery access cover lifts and slides off to expose the four AA batteries. Note the orientation of each battery as you replace the old with new as this is critical to the operation of the control. Use only high quality long-life alkaline batteries. Replace the battery cover and the valve access panel. Refer to illustrations below.

NOTE: The control module is secured to the valve bracket with hook-and-eye strips and can be pulled away from the bracket if necessary to gain better access to the battery cover and compartment. Be certain not to dislodge the wiring from the control module and be sure to place the module back in its original position after the batteries and cover are installed.



GAS CONNECTION

The FireLux is shipped from the factory with a flexible gas connector that has a 1/2" NPT female connection. The gas supply piping should have a separate gas shut-off valve and a 1/8" NPT plugged tapping upstream of the valve. The FireLux and its inlet regulator, main burner valve and cooking burner valve must be disconnected from the gas supply piping system during any pressure testing of that system at test pressures in excess of 1/2 psi (3.5kPa). The FireLux must be isolated from the gas supply piping system by closing the main control valve during any pressure testing of the gas supply system at test pressures equal to or less than 1/2 psi (3.5kPa). After the gas supply has been connected, apply a soapy water solution to all the fittings to check for gas leaks. Never use a flame to test for leaks.

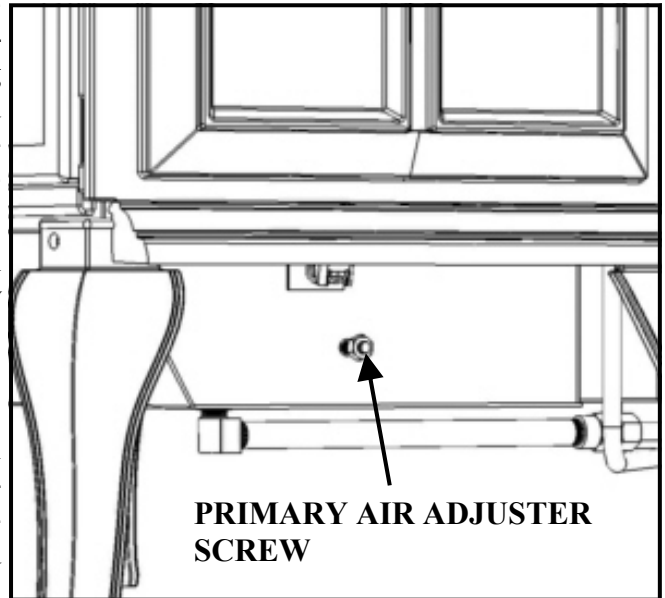
ASSEMBLY

PRIMARY AIR ADJUSTER

Your FireLuxe gas stove was shipped from the factory equipped for the fuel type indicated on the rating plate that is attached to the rear of the stove and the primary burner air adjuster was set at the factory at the recommended position for that fuel. If you will be using the alternate fuel please see the instructions included with the optional fuel conversion kit. This includes instructions for the proper setting for the primary air adjuster.

The recommended setting for propane is the fully-open position. This corresponds to the adjuster screw fully backed out. The recommended setting for natural gas is the fully-closed position. This corresponds to the adjuster screw fully screwed in.

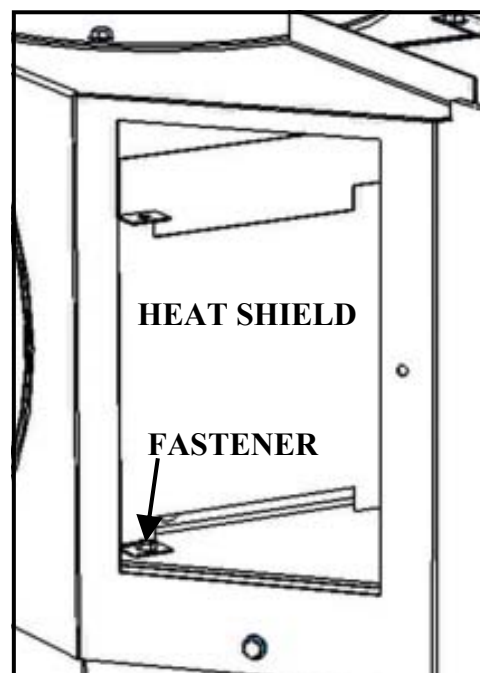
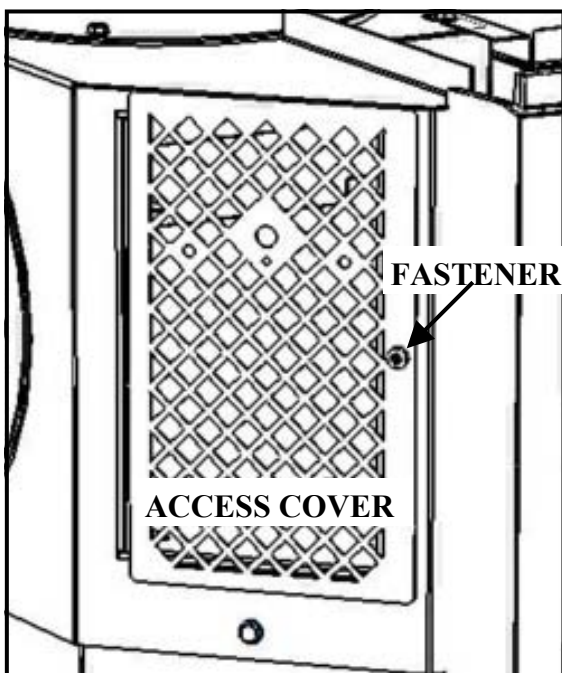
Making small adjustments to the primary air setting will let you adjust the way the flames look for your particular installation. See the reference to primary air adjustment in the section below that discusses the air inlet and exhaust outlet restrictors.



AIR INLET AND EXHAUST OUTLET RESTRICTORS

The FireLuxe is equipped with externally adjustable restrictors for both the inlet air and the exhaust outlet. This makes it possible to fine tune the direct vent system for the specific conditions of your installation. The recommended settings are keyed to the specific details of your venting configuration.

To access the restrictor adjustment guide plates, you must first remove the access plate. Looking at the stove from the front, this plate is located on the upper left rear of the stove. If you have the optional blower, the access plate also contains the blower speed control. Remove the single fastener that secures the access plate. Set the plate aside (or if the blower is installed, let the plate hang on the wiring). Next remove the heat shield. This is held in place with a single fastener located at the lower front corner of the shield. With the fastener removed, tilt the heat shield as needed and remove. Refer to the illustrations below.



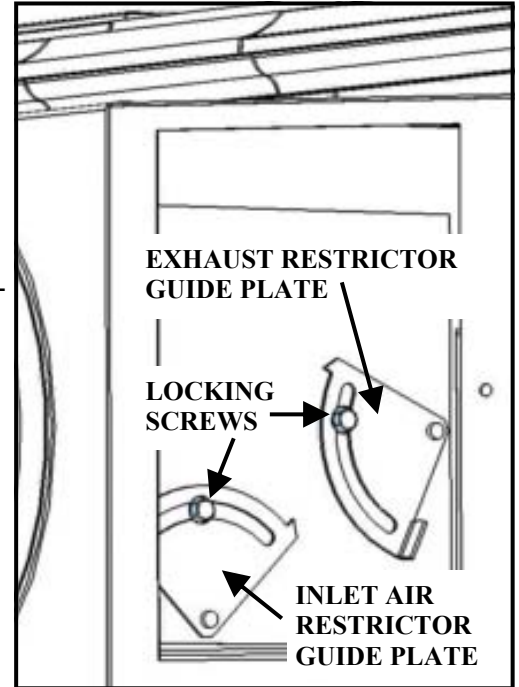
ASSEMBLY

You will now see the two guide plates. The guide plates have a pointer that corresponds to a letter scale for the air adjustment and number scale for the exhaust adjustment. These are the letters and numbers that are referenced in the venting charts on pages 10 and 11 and shown in detail in the examples shown on pages 8 and 9. To change the setting, loosen the guide plate locking screws. Next rotate each guide plate to the recommended setting for your installation shown in the appropriate venting chart for natural gas or for propane (LP) gas. Once the settings are correct, tighten the locking screws.

It is a good idea to test fire the stove before you replace the heat shield and access cover. Follow the lighting and operation instructions starting on page 23. Allow the stove to burn for at least 20-30 minutes at high fire while observing the flame. Although the flames will become more luminescent as the stove heats up, the tips of the flames should not be dark or sooty or extending so high as to touch the baffle. If they are, some additional adjustment is needed. First, check the position of the primary burner air adjuster. For propane, the primary air adjuster should be in the fully-open position. If it is not, loosen the adjuster screw locknut back out the adjuster screw. If no difference in the flame appearance is noted, a small adjustment of the exhaust restrictor should be tried next. This can be done with the stove operating but care must be taken not to touch hot surfaces while making the adjustment. Loosen the exhaust guide plate locking screw and move the setting down by $\frac{1}{4}$ increment. For example, move from a setting of $6\frac{1}{2}$ to a setting of $6\frac{1}{4}$. Tighten the locking screw and observe the flames. Repeat the process until flame tips shorten and become lighter in color. No more than one full increment of adjustment should be used. If no change in the flame appearance is noted after that, consult with a Harman Stove Company representative.

If, after 20-30 minutes at high fire, the flames are short or blue, the fire is probably getting too much air. You should first reduce the primary burner air by loosening the adjuster screw locknut and turning the adjuster screw in one turn. See the illustration on page 21 for the location of the primary air adjuster screw. Wait a few minutes and observe the flames again. Make another one turn adjustment. If the flame appearance has not changed after two turns of the adjuster screw, it is likely that there is another cause for the short or blue flames. Note: Do not turn the primary air adjustment screw in more than two turns. The flames should not have dark or sooty tips and should not be extending so high as to touch the baffle. If adjusting the primary burner air doesn't improve the flame appearance, a small adjustment of the inlet air restrictor can be made. This can be done with the stove operating but care must be taken not to touch hot surfaces while making the adjustment. Loosen the inlet air restrictor guide plate locking screw and move the setting up by $\frac{1}{4}$ increment. For example, move from a setting of E to a setting of $E\frac{1}{4}$. Tighten the locking screw and observe the flames. Repeat the process until flame tips begin to extend and become more yellow in color. Note: **DO NOT OVER-ADJUST THE INLET AIR RESTRICTOR.** The flames should not have dark or sooty tips and should not be extending so high as to touch the baffle.

Once all adjustments are made, make sure the inlet air and exhaust restrictor guide plate locking screws are tight and replace the heat shield, heat shield fastener and the access plate and fastener. If an adjustment was made to the primary burner air, tighten the locknut on the adjustment screw to lock in the new setting.



LIGHTING AND OPERATION

FOR YOUR SAFETY READ BEFORE LIGHTING




WARNING: If you do not follow these instructions exactly, a fire or explosion may result causing property damage, personal injury or loss of life.

THIS APPLIANCE HAS TWO SEPARATE BURNER AND GAS CONTROL SYSTEMS. ONE SYSTEM IS FOR THE MAIN HEATING BURNER AND THE SECOND IS FOR THE TOP COOKING BURNER.


- A. BEFORE OPERATING EITHER BURNER SYSTEM, smell around the appliance area for gas. Be sure to smell next to the floor because some gas is heavier than air and will settle on the floor.
- WHAT TO DO IF YOU SMELL GAS
- Do not try to light the appliance.
 - Do not touch any electric switch; do not use any telephone in your building.
 - Immediately call your gas supplier from a neighbor's telephone. Follow the gas supplier's instructions.
 - If you cannot reach your gas supplier, call the fire department.
- B. Use only your hand to operate the gas controls. Never use tools. If a knob will not push in or turn by hand, don't try to repair it, call a qualified service technician. Force or attempted repair may result in a fire or explosion.
- C. Do not use this appliance if any part has been under water. Immediately call a qualified service technician to inspect the appliance and to replace any part of the control system which has been under water.



LIGHTING INSTRUCTIONS - MAIN BURNER

AUTOMATIC IGNITION

1. STOP! Read the safety information above on this page.
2. This appliance is equipped with an ignition device that automatically lights the pilot. When using the remote handset, do not try to light the pilot by hand.
3. Push the OFF button on the remote handset to insure the appliance is off.
4. Wait five (5) minutes to clear out any gas. Then smell for gas including near the floor. If you smell gas, STOP! Follow A in the safety information above. If you don't smell gas, proceed to step 5.
5. Turn the MAN-knob to the ON, full counterclockwise  position. Refer to Fig.1 on page 24.
6. Simultaneously press and hold the  (star) and  (up arrow) on the remote control unit (See Fig. 2) until a short acoustic signal confirms the start sequence has begun; release buttons. Continuing signals confirms the ignition sequence is in process. Once pilot ignition is confirmed, there is main gas flow.



WARNING: When pilot ignition is confirmed, valve motor turns automatically to maximum flame height.

NOTE: If the pilot does not stay lit after several tries, turn the main valve knob to OFF, full clockwise  position. Proceed to step 8.

7. Set the thermostat to the desired setting or use the remote control to adjust flame. In standby mode: press  (up arrow) to increase the flame height, press  (down arrow) to decrease flame height or set appliance at pilot flame. See page 26 for remote handset programming instructions.
8. If appliance will not operate, follow instructions "TO TURN OFF GAS TO MAIN BURNER" on the next page and call your service technician or gas supplier.

LIGHTING AND OPERATION



MANUAL IGNITION

1. STOP! Read the safety information on the top of page 23.
2. Locate the valve on the back of the stove. Turn the main valve knob to the OFF, full clockwise  position.
3. Wait five (5) minutes to clear out any gas. Then smell for gas including near the floor. If you smell gas, STOP! Follow A in the safety information on page 23. If you don't smell gas, proceed to Step 4.
4. Visually locate the pilot at the center rear of the firebox. Refer to Fig. 3 below.
5. With the MAN-knob in MAN position, a manual pilot valve operator is accessible (Refer to Fig. 1).
 - Fully push down the manual pilot valve operator using a small screwdriver or pen tip and hold in to start pilot gas flow. Immediately light the pilot by rapidly depressing the piezo igniter button on the valve (See Fig. 1). Once the pilot flame is observed, continue to hold in the manual pilot valve operator for about one (1) minute. Release the manual pilot valve operator. If the pilot does not stay lit, repeat steps 2 through 5.
 - Note: If the pilot does not stay lit after several tries, turn the main valve knob to OFF and proceed to step 7.
6. Turn the MAN-knob to the ON, full counterclockwise  position.
7. If the appliance will not operate, follow the instructions “TO TURN OFF GAS TO MAIN BURNER” and call your service technician or gas supplier.

TO TURN OFF GAS TO MAIN BURNER

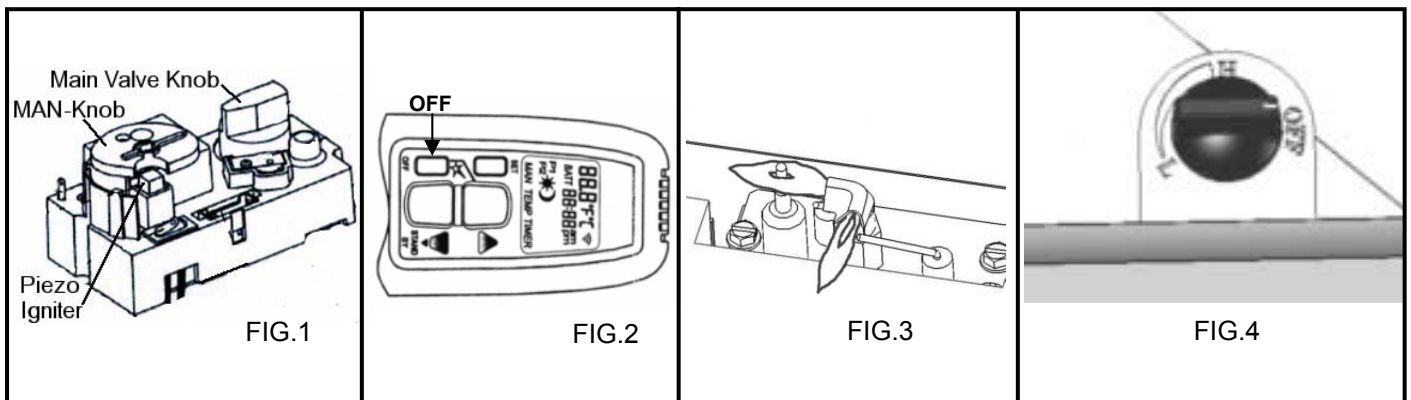
1. Press the OFF button on the remote (if available).
2. Turn the main valve knob to the OFF full clockwise  position.

LIGHTING INSTRUCTIONS - COOKING BURNER

1. Stop! Read the safety information shown on the top of page 23.
2. Locate the cooking burner gas control knob at the top right rear of the appliance. Refer to Fig. 4 below for more information.
3. With the valve in the OFF position, push down on the knob and turn counterclockwise  to the H (High) position. The cooking burner has a built-in electronic ignition system and the burner will ignite automatically. If the burner does not light within five (5) seconds, turn the knob to the OFF, full clockwise  position and call your service technician or gas supplier.
4. Adjust the burner for the desired cooking heat level.

TO TURN OFF GAS TO COOKING BURNER

1. To turn the cooking burner off, turn the knob to the OFF, full clockwise  position.



LIGHTING AND OPERATION

COOKING BURNER OPERATION

The cooking burner on your FireLuxe functions like a cooking burner on any conventional kitchen range. A battery-powered flame-sensing automatic ignition system lights the burner when you depress the control knob and rotate counterclockwise to the High (H) position. You will hear a clicking sound and can observe the spark arcing from the igniter electrode to the burner body. Once the burner is lit, the flame sensor will shut off the spark. If, for any reason, the sensor does not detect a flame, the igniter will automatically resume sparking until the flame is detected again.

The flames should be blue and evenly distributed around the perimeter of the burner. See the illustration below.

Adjust the flame for the desired heat level by rotating the knob. To turn the burner off, rotate the knob clockwise to the OFF position. (See fig. 4 on page 24.)

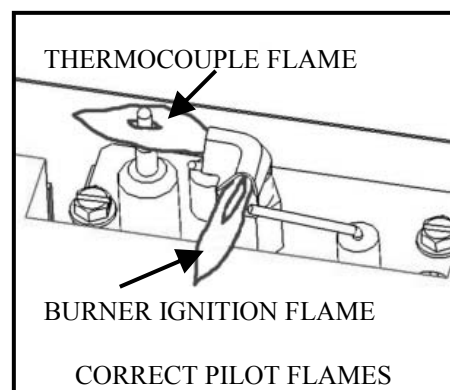
Refer to the lighting instructions on page 24 and the lighting and operating instructions on the permanent metal label attached by cable to the rear of the stove.

WARNING: THE COOKING BURNER IS FOR ATTENDED USE ONLY. DO NOT LEAVE UNATTENDED FOR ANY REASON.

WARNING: CHILDREN AND ADULTS SHOULD BE ALERTED TO THE HAZARDS OF HIGH SURFACE TEMPERATURES AND SHOULD STAY AWAY TO AVOID BURNS OR CLOTHING IGNITION. YOUNG CHILDREN SHOULD BE CAREFULLY SUPERVISED WHEN THEY ARE IN THE SAME ROOM AS THE APPLIANCE. CLOTHING OR OTHER FLAMMABLE MATERIAL SHOULD NOT BE PLACED ON OR NEAR THE APPLIANCE.

WARNING: BASED ON SAFETY CONSIDERATIONS, THE COOKING BURNER FLAME SHOULD BE ADJUSTED SO IT DOES NOT EXTEND BEYOND THE EDGE OF THE COOKING UTENSIL.

WARNING: BASED ON SAFETY CONSIDERATIONS, DO NOT USE THE COOKING BURNER FOR SPACE HEATING UNDER ANY CIRCUMSTANCES.

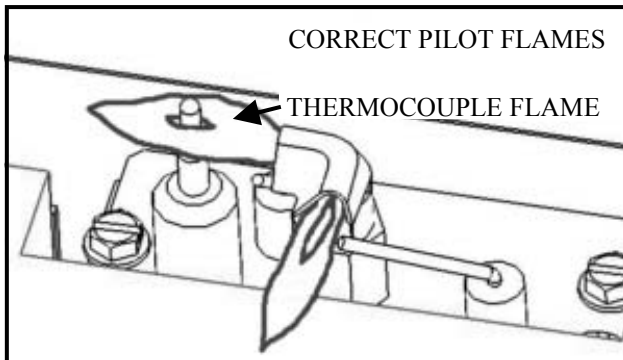
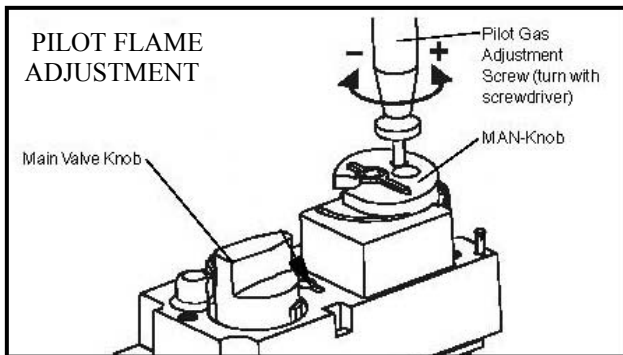
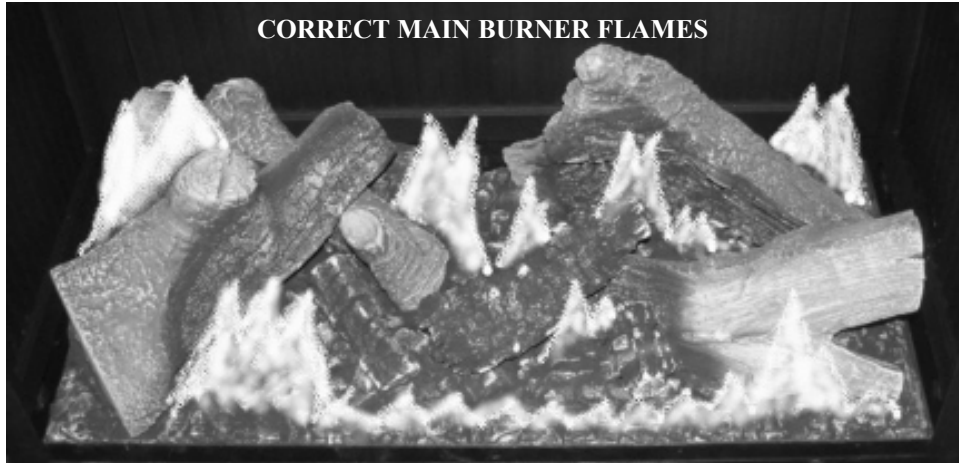


PILOT AND MAIN BURNER OPERATION

Follow the lighting instructions on pages 23 – 24. When the pilot is lit and operating properly, it should look like the illustration above. One flame will be directed at the pilot thermocouple and the other will be emanating toward the burner. If the pilot flames do not resemble the illustration above, see the instructions on page 26 for pilot flame adjustment.

After the main burner ignites and has been in operation for a few minutes, the flames should look like the illustration on the top of page 26. Flame height will vary depending on the firing rate but flames should be burning in all of the indicated areas.

LIGHTING AND OPERATION



PILOT FLAME ADJUSTMENT

The pilot flow is factory set to maximum. The pilot flame should envelope 3/8" to 1/2" of the thermocouple. See the illustration above.

The adjustment screw can be reached through the MAN-knob. See top illustration above.

1. Turn the Man-knob to the ON position.
2. It is now possible to pierce through a film on the cover with a screwdriver to reach the adjustment screw beneath.
3. Turn the adjustment screw clockwise to decrease or counterclockwise to increase pilot flame.

REMOTE CONTROL HANDSET OPERATION AND PROGRAMMING

Setting °C/24 hour or °F/12 hour Clock (Display and Timer/Thermostat Handsets)

1. Press **OFF** and ▼ (down arrow) until display changes from Fahrenheit/12 hour clock to Celcius/24 hour clock and vice versa.

Setting the Time (Display and Timer/Thermostat Handsets)

1. The display will flash after either:
 - a. Installing the battery or
 - b. Simultaneously pressing the ▲ (up arrow) and ▼ (down arrow).
2. Press ▲ (up arrow) to set the hour and the ▼ (down arrow) to set the minute.
3. Press **OFF** to return to manual mode or simply wait and it will automatically return to the manual mode.

Automatic Pilot Mode with Thermostat Remote

If there is no transmission from the handset to the receiver within a 6 hour period, the appliance will go to standby (pilot) mode.

Flame Height Adjustment

In "MAN" mode: Press ▲ (up arrow) to increase flame height. Press ▼ (down arrow) to decrease flame height or to set appliance at pilot flame. For fine adjustment tap the up/down arrows.

LIGHTING AND OPERATION

☀️ TEMP TEMP MODE – Daytime Temperature Mode (appliance must be in standby mode; pilot ignited): The room temperature is measured and compared to the set temperature. The flame height is then automatically adjusted to achieve the Daytime set temperature.

🌙 TEMP TEMP MODE – Nighttime Setback Temperature Mode (appliance must be in standby mode; pilot ignited): The room temperature is measured and compared to the Nighttime Setback temperature. The flame height is then automatically adjusted to achieve the Nighttime Setback temperature.

TIMER TIMER MODE – (appliance must be in standby mode; pilot ignited): The Timer setting allows you to set two (2) burner **ON** times and two (2) burner **OFF** times every 24 hours.

NOTE: The display shows the set temperature every 30 seconds.

Changing the Mode of Operation

Briefly pressing the **SET** button changes the mode of operation in the following order:



NOTE: **MAN** mode can also be reached by pressing either the ▲ (up arrow) or the ▼ (down arrow).

“MAN” Mode - Manual Flame Height Adjustment

1. Press ▲ (up arrow) to turn on the main burner.
2. Press ▲ (up arrow) to increase the flame height.
3. Press ▼ (down arrow) to decrease the flame height or to go to pilot standby position.

NOTE: While pressing either button a symbol indicating transmission appears on the display. The receiver confirms transmission with an acoustic signal.

Setting the Temperature

1. Select either the **☀️ TEMP** MODE or the **🌙 TEMP** MODE by briefly pressing the **SET** button.
2. Hold the **SET** button until the TEMP display flashes.
3. Set the desired temperature with ▲ (up arrow) or ▼ (down arrow).

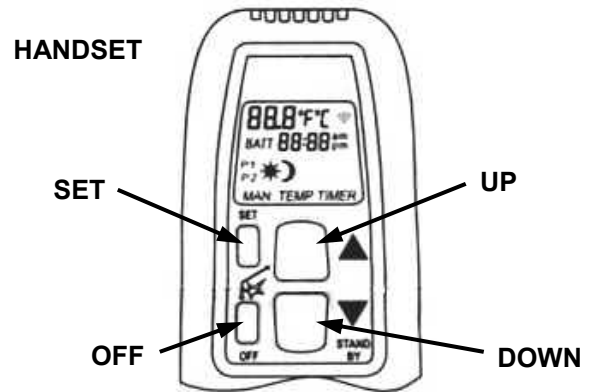
NOTE: 4.5°C/40°F is the min. temperature setting.

4. Press **OFF** button or simply wait and the display will go to the temperature control mode.

NOTE: If you would like the Nighttime Setback temperature control to turn off, decrease the nighttime temperature until [—] appears on the display.

Setting the Timer

1. Select Timer mode by briefly pressing the **SET** button.
2. Press and hold the **SET** button until “TIMER” is displayed on the lower right hand side.
3. Press and hold the **SET** button until the P1 ☀️ (sun symbol) and the time display flashes. Set the hour by pressing the ▲ (up arrow) and set the minutes by pressing the ▼ (down arrow).
4. Briefly press **SET** button for the next burner cycle time.
Example: P1 🌙 (moon symbol) continue through P2 ☀️ (sun symbol) and P2 🌙 (moon symbol).
5. Once all four (4) times are set, press **OFF** or simply wait to complete programming.



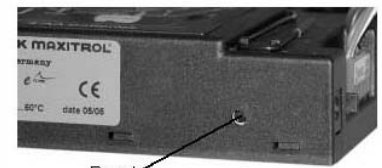
Radio Frequency Interference

A frequency code is preset for the valve receiver and remote handset, but can be changed if you are experiencing interference with other devices. To change the code:

1. Change DIP switch position



DIP Switch in Remote Handset Battery Compartment



Receiver with Reset button

2. Press and hold the receiver’s reset button until you hear two (2) acoustic signals. After the second longer acoustic signal, release the reset button and within the subsequent 20 seconds, press the ▼ (down arrow) on the remote handset until you hear an additional long acoustic signal confirming the new code is set (See figure above).

MAINTENANCE

A qualified service agency should conduct an annual inspection and maintenance of your FireLuxe including the overall installation and venting to keep it running safely. The following procedures should be performed only by a qualified service person. The gas supply should be turned off and the stove should be completely cool whenever a maintenance procedure is performed. All parts of the appliance that are removed for servicing must be replaced prior to operation.

WARNING: Do not operate the appliance with the glass front removed, cracked or broken. Replacement of the glass should be done by a qualified service person.

WARNING: Use only replacement glass, part number 3-40-21001500 and glass gasket, part number 3-44-00539. Do not use substitute materials. Do not strike or slam the glass front.

REPLACING THE GLASS

The glass mounting system consists of the glass panel, special glass gasket and the metal glass frame. Should the glass need to be replaced, you must use the glass replacement parts that can be obtained from your authorized Harman dealer. When replacing the glass, you must use a new glass gasket. Use the following procedure and refer to the illustrations on pages 14 and 17 of this manual.

1. Turn the stove completely off and allow it to cool completely.
2. Remove the Stove Top and Stove Front. See instructions on page 14.
3. If the glass is broken, be sure to wear gloves and eye protection.
4. Unlatch the three glass frame latches by pulling forward on the latch finger tabs while lifting up. This will allow the glass frame to tip slightly forward. The glass is loose in the frame, held in place only by friction from the gasket so it is very important to support both the glass and the frame when handling. Place your thumbs on the outside of the glass frame and wrap your fingers around the frame and onto the glass. Squeeze the frame and glass while moving. Carefully lift the glass frame and glass up and off the stove. Set the glass and frame aside on a padded surface. If the glass is broken, do this over spread out newspaper to catch all loose material. The outside of the frame should be facing down to give access.
5. Carefully remove the old glass and gasket material. If the glass is broken, wear gloves and eye protection.
6. Be sure to remove any broken glass from the burner and logs.
7. Install the new glass gasket onto the glass panel following the instructions included with glass panel.
8. With the thin section of the glass gasket facing the inside of the glass frame, carefully press the new glass panel/gasket assembly into the glass frame by first inserting the top edge under the two gasket retainers and then pressing the sides and bottom edge into the frame.
9. Carefully pick up the glass and glass frame assembly by grasping the sides of the frame and using your thumbs and fingers to hold the glass in place within the gasket and frame.
10. With the glass frame (and glass) at a slight angle (leaving room for your fingers between the frame and the firebox) insert the bottom edge of the frame into the frame retainer located on the bottom front of the firebox. Take care to center the frame from left to right. Once the bottom edge is in place, move your fingers out of the way and press the top of the frame against the firebox while pushing down to be sure the frame is fully engaged in the frame retainer. Hold the frame in place with one hand and engage the three glass frame latches by pulling out and down while hooking them over the frame.
11. Replace the Stove Front and Stove Top. See instructions on page 18.

CLEANING THE GLASS

WARNING: Never clean the glass while it is hot. Do not use abrasive cleaners or cleaners containing ammonia.

NOTE: A micro-fiber cleaning cloth and plain water is recommended by the glass manufacturer.

BATTERY REPLACEMENT

When the batteries need replacement, the remote handset shows a low battery indicator "BATT". The Ignition and Control Module will give three short beeps when the valve motor operates. The cooking burner Ignition Module will stop sparking. See the instructions on pages 19 - 20 for details on changing batteries.

MAINTENANCE

INSPECTING THE VENTING

An inspection of both the inner and outer vent pipes and the vent terminal should be made as part of the annual service appointment. The venting must have no blockage and be in good repair. The vent manufacturer's instructions may provide specific details on vent inspection. Any vent sections that are disassembled must be reassembled and sealed as required.

This appliance should be inspected before use and at least annually by a qualified service person. More frequent cleaning may be required due to excessive dust or lint from carpeting, bedding materials, pets, etc. It is imperative that control compartments and circulating air passageways of this appliance be kept clean.

CLEANING THE LOGS, BURNER AND FIREBOX

During the annual inspection and maintenance appointment, the service person should clean the logs, embers, burner and firebox. To gain access to the firebox, logs and burner, follow the instructions on page 14 of this manual.

An extra-soft brush should be used to gently clean the logs, embers and burner as they are extremely fragile. **DO NOT USE A VACUUM CLEANER TO CLEAN THE LOGS, EMBERS OR BURNER.**

A vacuum cleaner may be used to clean the metal parts of the firebox. Replace the logs and embers after cleaning. Follow the instructions on pages 15 –17 of this manual to insure proper placement of the logs and embers on the burner.

AIR FLOW

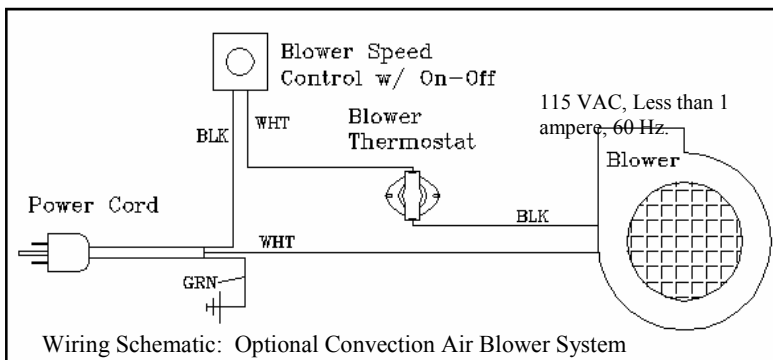
The FireLuxe utilizes a convection air heat exchange system to maximize heat delivered from the stove. It is important that air flows freely through the convection air system and out the front and side air grills. Do not place objects under the stove that will block the convection air inlet flow or in front of any air grill. If the optional convection air blower is installed, check the blower during the annual service appointment for any build-up of dust, lint or pet hair.

COOKING BURNER SYSTEM

As with any conventional range top, the FireLuxe cooking burner will require routine cleaning. The porcelain enameled drip pan should contain most normal cooking spills. To clean, simply remove the cooking grate and wipe the drip pan with a moist sponge or paper towel. Be sure that the stove is cool before cleaning. The cooking grate also has a porcelain enamel finish for easy cleaning. We recommend hand-washing, rather than the dishwasher. Spills on the top of the stove should be wiped up immediately to prevent them from baking on.

OPTIONAL CONVECTION AIR BLOWER SYSTEM (Part No. 1-00-05895)

(For additional information, please see instructions included with the blower kit.)



Check the blower during the annual service appointment for any build-up of dust, lint or pet hair.

CAUTION: Label all wires prior to disconnection when servicing. Wiring errors can cause improper and dangerous operation. Verify proper operation after servicing.

WARNING: Electrical Grounding Instructions. This appliance is equipped with a three-prong (grounding) plug for your protection against shock hazard and should be plugged directly into a properly grounded three-prong receptacle. Do not cut the grounding prong from this plug.

PARTS LIST

<u>PART NAME</u> (FINISH SPECIFIC)	<u>PART NUMBER</u>		
	CLASSIC BLACK	SAND ENAMEL	BLACK ENAMEL
TOP	3-00-787001	3-00-787001-15	3-00-787001-16
LEFT SIDE	3-00-787003	3-00-787003-15	3-00-787003-16
RIGHT SIDE	3-00-787004	3-00-787004-15	3-00-787004-16
FRONT	3-00-787005	3-00-787005-15	3-00-787005-16
LEFT DOOR	3-00-787006	3-00-787006-15	3-00-787006-16
RIGHT DOOR	3-00-787007	3-00-787007-15	3-00-787007-16
LEG	3-00-787012	3-00-787012-15	3-00-787012-16
ASHTRAY	3-00-787013	3-00-787013-15	3-00-787013-16
TOP COOKING GRATE - OVAL	N/A	N/A	3-00-787015-16
OPTIONAL TOP FLUE FILLER PLATE KIT	1-00-787002-1	1-00-787002-15	1-00-787002-16
OPTIONAL WARMING SHELF KIT	1-00-05896-1	1-00-05896-15	1-00-05896-16
OPTIONAL LEAF TRIM KIT	1-00-05898-55	N/A	1-00-05898-16
OPTIONAL LEAF WARM. SHELF INSERT KIT	1-00-05899-1	N/A	1-00-05899-16
OPTIONAL TOP COOKING GRATE - LEAF	N/A	N/A	3-00-787025-16

(COMMON PARTS)	ALL FINISHES
LOWER FIREBACK	3-00-787008
BAFFLE	3-00-787009
RELIEF DOOR LEFT	3-00-787010
RELIEF DOOR RIGHT	3-00-787011
RELIEF DOOR GASKET	3-44-787000
GLASS PANEL	3-40-21001500
GLASS GASKET-6.5'	3-44-00539
BURNER ASSEMBLY (LOG BASE)	3-40-787025
LEFT FRONT LOG	3-40-787030
RIGHT FRONT LOG	3-40-787031
LEFT REAR LOG	3-40-787032
RIGHT REAR LOG	3-40-787033
EMBER 1-MEDIUM	3-40-787035
EMBER 2-LARGE	3-40-787036
EMBER 3-SMALL	3-40-787034
PILOT ASSEMBLY	3-40-00787
THERMOCOUPLE*	3-40-09906
VALVE-NG	3-40-00064
VALVE-LP	3-40-00057
REMOTE CONTROL HANDSET	3-20-07800
VALVE CONTROL MODULE	3-20-07801
COOKING BURNER IGNITION WIRE	3-40-94739
COOKING BURNER IGNITION MODULE	3-40-25847
COOKING BURNER RING W/ELECTRODE	3-40-07802
COOKING BURNER GAS VALVE	3-40-07803
PROPANE CONVERSION KIT	1-00-05893
NATURAL GAS CONVERSION KIT	1-00-05894
OPTIONAL BLOWER KIT	1-00-05895

*This is a quick response thermocouple. Replace it only with Part No. 3-40-09906

HARMAN GOLD WARRANTY

6 YEAR TRANSFERABLE LIMITED WARRANTY (Residential)
1 YEAR LIMITED WARRANTY (Commercial)



Harman Stove Company warrants its products to be free from defects in material or workmanship, in normal use and service, for a period of 6 years from the date of sales invoice and for mechanical and electrical failures, in normal use and service, for a period of 3 years from the date of sales invoice.

If defective in material or workmanship, during the warranty period, Harman Stove Company will, at its option, repair or replace the product as described below.

The warranty above constitutes the entire warranty with respect to Harman Stove Company products. HARMAN STOVE COMPANY MAKES NO OTHER WARRANTY, EXPRESSED OR IMPLIED, INCLUDING "ANY" WARRANTY OF MERCHANTABILITY, OR WARRANTY OF FITNESS FOR A PARTICULAR PURPOSE. No employee, agent, dealer, or other person is authorized to give any warranty on behalf of Harman Stove Company. This warranty does not apply if the product has been altered in any way after leaving the factory. Harman Stove Company and its agents assume no liability for "resultant damages of any kind" arising from the use of its products. In addition, the manufacturer and its warranty administrator shall be held free and harmless from liability from damage to property related to the operation, proper or improper, of the equipment.

THERE ARE NO WARRANTIES WHICH EXTEND BEYOND THE DESCRIPTION ON THE FACE HEREOF.

THESE WARRANTIES APPLY only if the device is installed and operated as recommended in the user's manual.

THESE WARRANTIES WILL NOT APPLY if abuse, accident, improper installation, negligence, or use beyond rated capacity causes damage.

HOW TO MAKE A CLAIM - Any claim under this warranty should be made to the dealer from whom this appliance was purchased. Then contact is made with manufacturer, giving the model and serial numbers, the date of purchase, your dealer's name and address, plus a simple explanation of the nature of the defect. Extra costs such as mileage and overtime are not covered. Nuisance calls are not covered by these warranties.

THIS WARRANTY IS LIMITED TO DEFECTIVE PARTS - REPAIR AND/OR REPLACEMENT AT HARMAN STOVE COMPANY'S OPTION AND EXCLUDES ANY INCIDENTAL AND CONSEQUENTIAL DAMAGES CONNECTED THEREWITH.

WARRANTY EXCLUSIONS: Failure due, but not limited to, fire, lightning, acts of God, power failures and/or surges, rust, corrosion and venting problems are not covered. Damage and/or repairs including but not limited to; remote controls, filters, fuses, knobs, glass, ceramic brick panels, ceramic fiber afterburners, combustion packages, door packing, tile, ceramic burner and log sets, paint, batteries or battery backups and related duct work are not covered. Also excluded from this warranty are consumable or normal wear items including but not limited to; flame guides, grates, coal bars, afterburner hoods, fire brick, gaskets. Additional exclusions for corn stoves are burn pot housing weldment, burn pot grate weldment (pellet or corn), burnpot front plate (pellet or corn), burnpot front plate lock, corn auger extension, ceramic insert, and ceramic insert plate. Additional or unusual utility bills incurred due to any malfunction or defect in equipment and the labor cost of gaining access to or removal of a unit that requires special tools or equipment are not covered. Maintenance needed to keep the stove in "good operating condition" is not covered. This includes, but is not limited to, cleaning, adjustment of customer controls and customer education. Labor, materials, expenses and/or equipment needed to comply with law and/or regulations set forth by any governmental agencies are not covered.

This Warranty provides specific legal rights and the consumer may have other rights that vary from state to state.

In the event of change in ownership, the remaining portion of this warranty may be transferred to the new owner by sending the new owner information and a transfer fee of \$25.00 US to the Harman Stove Company.

PLEASE READ THE LITERATURE BY THE MANUFACTURER FOR THE VARIOUS ACCESSORY DEVICES. THE MANUFACTURER WARRANTS THESE ACCESSORY DEVICES, NOT HARMAN STOVE COMPANY OR THEIR WARRANTY ADMINISTRATOR. FURTHERMORE, THESE ACCESSORY DEVICES MUST BE INSTALLED AND USED ACCORDING TO THE RECOMMENDATIONS OF THE MANUFACTURER.

REMEDIES - The remedies set forth herein are exclusive and the liability of seller with respect to any contract or sale or anything done in connection therewith, whether in Contract, in tort, under any warranty, or otherwise, shall not, except as herein expressly provided, exceed the price of the equipment or part of which such liability is based.

CLARIFY - The above represents the complete warranty, which is given in connection with stoves, manufactured by Harman Stove Company. No other commitments, verbal or otherwise, shall apply except by a written addendum to this warranty.



For replacement parts and customer service, contact your Harman Stove dealer.

Manufactured by:

HARMAN STOVE COMPANY
352 MOUNTAIN HOUSE ROAD
HALIFAX, PA 17032