

Installation and Operating Instructions

This installation manual will help you obtain a safe, efficient, dependable installation for your fireplace and chimney system. Please read and understand these installation instructions before beginning your installation.

CAUTION: Do not attempt to modify or alter the construction of the fireplace or its components. Any modification or alteration of construction may void the warranty, listings and approvals of this system. In that case, Security Chimneys International Ltd will not be responsible for damages. Install the fireplace only as described in these instructions.

PLEASE RETAIN THIS MANUAL FOR FUTURE REFERENCE

WARNING: The fireplace cannot be operated without a door. Consult your dealer to select the correct door model.

	<p>! WARNINGS</p>
	<ul style="list-style-type: none"> • Hot! Do not touch! The glass and surfaces of this appliance will be hot during operation and will retain heat for a while after shutting off the appliance. Severe burn may result. • Carefully supervise children in the same room as appliance.
<ul style="list-style-type: none"> • If small children are present in the home, it is recommended that this appliance be used with a fire screen kit. 	

	<p>Listed to standards: ULC-S610, UL-127 Report # 192-5237</p>
--	------------------------------------------------------------------------

	<p>We suggest that our woodburning hearth products be installed and serviced by professionals who are certified in the U.S. by the National Fireplace Institute® (NFI) as NFI Woodburning Specialists or who are certified in Canada by Wood Energy Technical Training (WETT).</p>
--	------------------------------------------------------------------------------------------------------------------------------------------------------------------------------------------------------------------------------------------------------------------------------------



2125 Monterey St., Laval, Quebec, Canada, H7L 3T6

25 YEAR LIMITED WARRANTY

- Security Chimneys International Ltd. warrants to the owner of a Security Fireplace that the wood burning fireplace will be free from defects in material and workmanship, under normal use and service, for a period of twenty-five (25) years from the date of purchase. A proof of purchased date is required for claims to be processed. This warranty is conditional to the proper use, operation and maintenance of the fireplace. This 25-year warranty is limited to the residential use of the product only.

This warranty shall be void if the fireplace is not installed and operated in accordance with the installation instruction manual provided with the product and does not cover damage caused by misuse of the product.

- Security Chimneys International Ltd warrants the gold, nickel, brushed nickel plating on its doors and facades against material and manufacturing defects for the lifetime of the fireplace. This lifetime warranty contains limitations which are detailed below. **Door and façade adjustments, as described in the installation manual, MUST be done at installation time** otherwise this warranty is void.

WARRANTY LIMITATIONS:

1. During the first year of the limited warranty, Security Chimneys International Ltd. will provide replacement parts (as described in the document Details of the Limited 25 year Warranty) at no charge and will also pay for reasonable labour costs incurred for repair work. All repairs must be approved by an authorised company official before any work is done. Labour costs to be borne by Security Chimneys International Ltd. must not exceed the retail price of the parts replaced.
2. During the second through the fifth year of the limited warranty, Security Chimneys International Ltd. will provide replacement parts (as described in the document Details of the Limited 25 year Warranty) at no charge should they be found to be defective. ***Security Chimneys International Ltd. shall not be responsible for any labour costs.***
- 2.1 During the second through the fifth year of the limited warranty, Security Chimneys International Ltd. will repair or replace at no charge, any plated door or façade that is found to be defective and will assume the necessary labour costs to replace this part.
3. During the sixth through the twenty-fifth year of the limited warranty, Security Chimneys International Ltd. will provide replacement parts (if available and as described in the document Details of the Limited 25 year Warranty) at 50% of the published List Price sheet. ***Security Chimneys International Ltd shall not be responsible for any labour costs.***
- 3.1 After the sixth year of the limited warranty, Security Chimneys International Ltd. will repair or replace at no charge, any plated door or façade that is found to be defective and ***will not assume any labour costs to replace this part.***
4. The following parts ***are not covered*** by any warranty: Brass accessories installed on the fireplace: trims, louvers, surround kits.

This warranty may not be extended by our representatives in any manner whatsoever.

The warrantor makes no warranties express or implied, written or oral, other than those specifically stated in this 25 year limited warranty. The duration of any implied warranty including that of merchantability or fitness for any particular purpose shall be limited to 25 years from the date of purchase.

The remedy for damages as the result of any defect in this product that has been warranted herein is limited to the replacement of defective parts and does not include any incidental or consequential damages or expenses sustained in connection with the product, including damage to property.

Security Chimneys International is not responsible for the inadequate performances of the fireplace caused by the environment such as trees, buildings, roofs, wind, hills, mountains near by, which may cause negative pressures inside the home or mechanical causes such furnaces, blowers or cloth dryers.

The chimney is covered by a separate warranty.

NOTE: Dated proof of purchase is required for recognition of this warranty.

FOR UNITED STATES ONLY:

Some states do not allow limitations on how long an implied warranty lasts, so the above limitations may not apply to you. Some states do not allow the exclusion or limitation of incidental or consequential damages, so the above limitation or

Details of The 25 Year Limited Fireplace Warranty

Year 1:

Parts and labour (no charge)

(see on page for exclusions and conditions)

Air control assembly

Plate, lever

Blower assembly

Blowers, wires, thermo disc

Ceramic glass

Glass (thermal breakage)

Catalytic combustor

Combustor (thermal degradation and disintegration),
retainer

Air register assembly

Plate, lever

Door assembly

Door, latch assembly, hinges, glass retainer, gaskets

Facade assembly

Facade, hardware

Fire box assembly

Fire box, tube supports, tubes, deflectors

Refractory

Refractory (thermal breakage)

Paint

Doors, louvers, fireplace facade

Accessories

Log retainers, fire screen

Years 2 to 5:

Parts (no charge)

(see on page for exclusions and conditions)

Air control assembly

Plate, lever

Catalytic combustor

Combustor (thermal degradation and disintegration),
retainer

Air register assembly

Plate, lever

Door assembly

Door, latch assembly, hinges, glass retainer, gaskets

Facade assembly

Facade, hardware

Fire box assembly

Fire box, tube supports, tubes, deflectors

Years 6 to 25:

Parts at 50% of published list price

(see on page for exclusions and conditions)

Air control assembly

Plate, lever

Air register assembly

Plate, lever

Door assembly

Door, latch assembly, hinges, glass retainer, gaskets

Facade assembly

Facade, hardware

Fire box assembly

Fire box, tube supports, tubes, deflectors

Exclusions: Brass accessories installed on the fireplace: trims, louvers, surround kits.

Conditions:

1. The 25-year warranty begins from the date of purchase of the fireplace and is valid as long as this fireplace remains installed in its original home. The fireplace must be installed, operated and maintained in accordance with the instructions described in the installation manual provided with it. Any alteration, modification, accident, neglect or abuse of the product will void this guarantee.
2. A slight discoloration of painted parts, expansion, contraction or movement of certain parts, which cause light clicking noises, is normal and is not a manufacturing defect.
3. Over firing of the fireplace (operation which causes metal parts to become red) can cause significant damage, create a fire hazard and voids the warranty.
4. Security Chimneys International is not responsible for the inadequate performances of the fireplace caused by the environment such as trees, buildings, roofs, wind, hills, mountains near by, which may cause negative pressures inside the home or mechanical causes such furnaces, blowers or cloth dryers.
5. This warranty does not cover normal wear and tear like the discolouration or peeling of painted parts, worn or cut gaskets, chipped or cracked refractory.
6. Although your **BIS** fireplace is very efficient, it should not, in any case, replace the main heating system of the home in which it is installed. This fireplace is designed to supplement heat and comfort to the existing main heating system.

TABLE OF CONTENTS

1.	SAFETY RULES FOR OPERATING THE BIS PANORAMA	1
2.	CERTIFICATION LABEL	2
3.	THE FIREPLACE	2
3.1	INTRODUCTION	3
3.1.1	Parts Required	
3.1.2	Additional Equipment (optional)	
3.2	OPERATING THE BIS PANORAMA	4
3.2.1.1	Fuel	
3.2.1.2	First Fires	
3.2.1.3	Catalytic Combustor	
3.2.1.4	Combustion Control	
3.2.1.5	Accelerated Combustion	
3.2.1.6	Medium Combustion	
3.2.1.7	Slow Combustion	
3.2.1.8	Starting And Maintaining a Fire	
3.2.1.9	Refuelling For Best Performance	
3.2.1.10	Smoking – Causes and Troubleshooting	
3.2.1.11	Important Notes	
3.3	MAINTAINING YOUR BIS PANORAMA	10
3.3.1.1	Creosote	
3.3.1.2	Chimney Maintenance	
3.3.1.3	Dealing With a Chimney Fire	
3.3.1.4	Catalytic Combustor	
3.3.1.5	Doorframe Care	
3.3.1.6	Ashes	
3.3.1.7	Refractory Brick Replacement	
3.3.1.8	Door Installation	
3.3.1.9	Door Adjustment	
3.3.1.10	Glass Care – Replacement	
3.3.1.11	Glass Care – Cleaning	
3.3.1.12	Gasket Replacement	
3.4	FIREPLACE INSTALLATION	14
3.4.1.1	Locating The BIS PANORAMA	
3.4.1.2	Hearth Extension Requirements	
3.4.1.3	Framing, Facing and Mantel	
3.5	HOT AIR DUCTING INSTALLATION	19
3.5.1.1	Gravity Kit	
3.5.1.2	Forced Air Kit (not tested under EPA certification)	
3.6	OUTSIDE AIR KIT	23
3.6.1	Outside Air Installation	
4.	THE CHIMNEY	24
4.1	CHIMNEY INSTALLATION NOTES	24
4.2	CHIMNEY INSTALLATION INSTRUCTIONS	25
4.3	OFFSET CHIMNEY INSTALLATION	28
4.4	ANGLED WALL RADIATION SHIELD	31
4.5	CHIMNEY SUPPORT INSTALLATION	32
4.6	CHIMNEY CHASE AND MULTIPLE TERMINATIONS	33
4.7	CHIMNEY ADAPTOR	33
4.8	INSTALLATION INSTRUCTIONS FOR MASONRY APPLICATION	34
5.	PARTS AND COMPONENTS LIST	35
6.	OPTIONS	36
7.	APPENDIX (Specifications, Clearance To Combustibles, Replacement Parts)	36

1. SAFETY RULES FOR OPERATING YOUR FIREPLACE MODEL BIS PANORAMA

Warning: An outside air kit must be installed on the fireplace model BIS PANORAMA

Warning: The fireplace must be operated with the doors fully opened or fully closed. If the doors are left partly opened, smoke may be drawn into the room. If the unit is operated with the doors fully opened, the optional fire screen must be used.

- Use only Security Chimneys International glass doors specifically designed for the model BIS PANORAMA fireplace.
- When cleaning the fireplace, the ashes should be placed in a metal container with a tight fitting lid. The closed container of ashes should be placed on a non-combustible floor or on the ground outside the house, pending final disposal. If the ashes are disposed of by burial in soil or otherwise locally dispersed, they should be retained in the closed container until all cinders have thoroughly cooled.

Caution: Never use gasoline, kerosene, charcoal lighter fluid or similar liquids to start or rekindle a fire in this fireplace. Keep all such liquids well away from the fireplace at all times.

Caution: Keep combustible materials at least 48 inches away from the front of the fireplace opening.

Caution: Never leave children unattended when there is a fire burning in the fireplace.


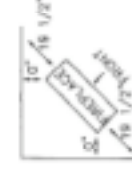

Caution: Burn untreated wood only. Other materials such as wood preservatives, metal foils, coal, plastic, garbage, sulphur or oil may damage the catalyst.

Caution: Do not operate without the catalytic combustor in place.

Caution: Never burn with the by-pass opened except for fire start-up and when reloading the stove.

WARNING: THIS FIREPLACE HAS NOT BEEN TESTED WITH AN UNVENTED GAS LOG SET. TO REDUCE RISK OF FIRE OR INJURY, DO NOT INSTALL AN UNVENTED GAS LOG SET INTO THIS FIREPLACE.

2. CERTIFICATION LABEL

<p>Wärtsilä Hersey CHIMNEYS</p> <p>TESTED TO U.L.C. S610 / UL 127 TESTÉ SELON (October / Octobre 2006)</p> <p>CLEARANCES TO COMBUSTIBLES: SIDE WALL: 1" (25.4 mm) (FROM DOOR EDGE) MANTLE: 1" (25.4 mm) (ABOVE THE BASE OF THE FIREPLACE) BACK WALL AND FIREPLACESIDE: 1" (25.4 mm) (FROM SPACES) ABOVE THE FIREPLACE: 6" (152.4 mm) (ABOVE THE BASE OF THE FIREPLACE)</p> <p>CONTACT: 2" (51 mm)</p> <p>COMBUSTIBLES TO COMBUSTIBLES: MEXILATÉRAL: 2" (50.8 mm) (DE L'OUVERTURE DE LA PORTE) LINTEAU: 1" (25.4 mm) (AU-DESSUS DE LA BASE DU FOYER) MUR ARRÉRIÈRE ET CÔTÉ DU FOYER: 6" (152.4 mm) (DES ESPACES) AU-DESSUS DU FOYER: 6" (152.4 mm) (AU-DESSUS DE LA BASE DU FOYER)</p> <p>CHIMNÉE: 2" (51 mm)</p>	<p>LISTED FACTORY BUILT FIREPLACE FOYER PRÉFABRIQUÉ HOMOLOGUÉ</p> <p>MODEL / MODÈLE: BIS PANORAMA</p> <p>PANO-</p> <p>DÉGAGEMENTS AUX COMBUSTIBLES:</p> <p>MEXILATÉRAL: 2" (50.8 mm) (DE L'OUVERTURE DE LA PORTE) LINTEAU: 1" (25.4 mm) (AU-DESSUS DE LA BASE DU FOYER) MUR ARRÉRIÈRE ET CÔTÉ DU FOYER: 6" (152.4 mm) (DES ESPACES) AU-DESSUS DU FOYER: 6" (152.4 mm) (AU-DESSUS DE LA BASE DU FOYER)</p> <p>CHIMNÉE: 2" (51 mm)</p>	<p>FEEL WOOD ONLY</p> <ul style="list-style-type: none"> NON COMBUSTIBLE HEARTH EXTENSION MUST BE INSTALLED AT FRONT OF UNIT EXCEEDING 18 IN (457 mm) AT FRONT AND 14 IN (355 mm) TO SIDES OF DOOR OPENING. THIS FIREPLACE HAS NOT BEEN TESTED WITH INVENTED GAS LOG SET TO REDUCE RISK OF FIRE OR INJURY DO NOT INSTALL AN INVENTED GAS LOG SET INTO THE FIREPLACE. ELECTRICAL WIRING: 1/2", 60/10 COMPONENTS USED WITH THE FIREPLACE MUST BE LISTED: SEE LIST IN THE INSTALLATION INSTRUCTIONS. REPLACE GLASS WITH CERAMIC GLASS 1/8" THICK. FOR SAFE OPERATION INSTALL IN ACCORDANCE WITH THE MANUFACTURER'S INSTRUCTIONS CAUTION: COMBUSTION AIR OPENING MUST NOT BE OBSTRUCTED DO NOT OVERFIRE THE FIREPLACE OPERATE THE FIREPLACE WITH DOORS FULLY OPEN OR FULLY CLOSED ONLY. <p>CONTACT YOUR LOCAL BUILDING OR FIRE OFFICIALS ABOUT RESTRICTIONS AND INSTALLATION INSTRUCTIONS IN YOUR AREA.</p>	<p>INSTALL AND USE ONLY IN ACCORDANCE WITH THE MANUFACTURER'S INSTRUCTIONS AND LOCAL BUILDING CODES.</p> <p>CHIMNEY TYPE: USE ONLY LISTED CHIMNEY MODEL: ASBESTOS, 251000, RT41215, AC, 716400</p> <p>SPECIAL METHODS ARE REQUIRED WHEN PASSING THROUGH A WALL OR CEILING (SEE INSTRUCTIONS AND BUILDING CODES)</p> <p>PREVENT CHIMNEY FIRE: INSPECT CHIMNEY CONNECTOR AND CHIMNEY FLUE MONTHLY AND CLEAN IF NECESSARY. DO NOT OVERFIRE. IF DOWN OR CHIMNEY CONNECTOR GLEANS YOU ARE OVERFIRING.</p> <p>KEEP FURNISHINGS AND OTHER COMBUSTIBLE MATERIALS A CONSIDERABLE DISTANCE AWAY FROM APPLIANCE</p>	<p>SECURITY CHIMNEYS INTERNATIONAL LTD LAVAL, QUÉBEC, CANADA</p> <p>CHEMINEES SÉCURITÉ INTERNATIONAL LTÉE.</p> <p>DATE OF MFG. 1 2 3 4 5 6 7 8 9 10 11 12 2000-01-02-03-04-05-06</p>	<p>INSTALL WITH MINIMUM CLEARANCES TO WALL AS SHOWN IN INCHES</p>  <p>SIDE WALL - BACK WALL INSTALLATION</p>  <p>CORNER INSTALLATION</p> <p>FLOOR PROTECTOR MINIMUM DISTANCE FROM OPENING IN INCHES</p>  <p>HEARTH EXTENSION MATERIAL: - 3/8" THICKNESS NON-COMBUSTIBLE MATERIAL - OR EQUIVALENTS</p> <p>MP241 Rev. 0</p>
----------------------------------------------------------------------------------------------------------------------------------------------------------------------------------------------------------------------------------------------------------------------------------------------------------------------------------------------------------------------------------------------------------------------------------------------------------------------------------------------------------------------------------------------------------------------------------------------------------------------------------------------------------------------------------------------------------------------------------------------------------------------------------------------------------------------	--------------------------------------------------------------------------------------------------------------------------------------------------------------------------------------------------------------------------------------------------------------------------------------------------------------------------------------------------------------------------------------------------------------------------------------------------------------------------------------------------	-------------------------------------------------------------------------------------------------------------------------------------------------------------------------------------------------------------------------------------------------------------------------------------------------------------------------------------------------------------------------------------------------------------------------------------------------------------------------------------------------------------------------------------------------------------------------------------------------------------------------------------------------------------------------------------------------------------------------------------------------------------------------------------------------------------------------------------------------------------------------------------------------------------------------------------------------------------------------------------------------------	-----------------------------------------------------------------------------------------------------------------------------------------------------------------------------------------------------------------------------------------------------------------------------------------------------------------------------------------------------------------------------------------------------------------------------------------------------------------------------------------------------------------------------------------------------------------------------------------------------------------	------------------------------------------------------------------------------------------------------------------------------------------------------------------------------------------------------------	----------------------------------------------------------------------------------------------------------------------------------------------------------------------------------------------------------------------------------------------------------------------------------------------------------------------------------------------------------------------------------------------------------------------------------------------------------------------------------------------------------------------------------------------------------------------------------------------------------------------------

3. THE FIREPLACE

3.1 INTRODUCTION

The BIS PANORAMA fireplace is an energy efficient, heat circulating, close combustion fireplace using the catalytic technology. You will receive a lifetime of comfort and enjoyment from your fireplace provided it is installed, maintained and operated properly.

- Please read these instructions and retain this manual for future reference.
- Before beginning the fireplace installation, consult the local authorities to obtain your building permit and check your local building codes. Install the fireplace only as described in these instructions and using only Security Chimneys International components.
- The BIS PANORAMA is not intended for use with a gas log. Failure to follow these instructions will void the certification and the warranty of the fireplace and may result in an unsafe installation.

3.1.1 Parts Required

- Fireplace model BIS PANORAMA
- Door set
- Louver set (Del Sol, Diamante, Fiori or Luna)
- 7" diameter chimney model Secure Temp^{ASHT+}, Secure Temp^{S-2100+}, Nova Temp^{HT6000+}, Nova Temp^{HT6103+} or ACBI manufactured by Security Chimneys International only, including:
 - Chimney lengths
 - Elbows (where necessary)
 - Radiation shield, Attic radiation shield
 - Roof flashing
 - Rain cap
 - Supports (if necessary)
- 7" diameter TUBINOX (or PROJET SS) and masonry adaptor kit for masonry applications
- Outside air kit

3.1.2 Additional Equipment (optional)

- 5" flexible venting system (central forced air kit – Not EPA approved)
- Gravity venting system
- Panel for clean face option (only with gravity venting system)
- Fireplace fan kit

3.2 OPERATING THE BIS PANORAMA

3.2.1 *Fuel*

The BIS PANORAMA is designed to work best when fuelled with seasoned cordwood. Hardwoods are preferred to softwoods since the energy content of wood is relative to its density. Hardwoods will result in a longer burning fire and less frequent refuelling. A moisture content of 15% to 20% (seasoned) is recommended. Excessively wet wood will be difficult to burn and will result in lower efficiency, increased creosoting and plugging of the catalytic combustor. Excessively dry wood will burn well but will also have higher emissions and shorter burning time.

Do not burn scrap or garbage, treated wood or wood such as driftwood from the ocean which has been exposed to salt or other chemicals. Salt or chemicals can corrode the firebox and can shorten the life of the catalytic combustor. Do not burn large amounts of paper, cardboard, Christmas tree branches or building construction materials. Intense firing with these materials may overheat the fireplace, causing damage to the unit, a fire or even possibly igniting a chimney fire if the chimney is creosoted. Overheating the unit above 1000° C (1800° F) is harmful for the catalytic combustor; it can damage the catalyst coating and can cause cracking of the substrate. Looking through the upper louvers, if the top of the firebox is glowing, the unit is overheating,

3.2.2 *First Fires*

Before using the fireplace make sure to remove the plastic wrapping on the doors. Remove all remaining glue with mild soap. Ensure that the door is well adjusted before starting a fire (see page 12.)

The first 5 or 6 fires should be small fires of short duration (about 30 to 60 minutes). This will help cure the refractory bricks. Ashes that will accumulate in the ashtray will protect it from intense heat. The first fires may produce slight smoking due to drying of the paint and steel and any dust accumulated on the fireplace will burn off at this time. It may set off a smoke alarm located in the same room. For this reason the room should be well ventilated for the first few fires.

3.2.3 *Catalytic Combustor*

The BIS PANORAMA is equipped with a catalytic combustor. Unburned by-products of the wood fire are burned at lower temperatures as they pass through the combustor resulting in less pollution, reduced creosote and higher efficiency. In order to have the catalyst working, temperatures of the flue gases entering the combustor have to be higher than 260 °C (500 °F). That is why the unit is equipped with a by-pass damper that allows the draft air to by-pass the catalytic combustor. Opening the by-pass damper control increases the draft allowing the unit to achieve proper operating temperatures during a cold start-up. It also provides more draft to prevent smoke spillage when the door is opened. When the catalyst light-off conditions are achieved, the combustor will

keep on going until it runs out of smoke. Note that the catalyst does not need to be glowing to be working, it can work very well at temperatures well below the 538 °C (1000 °F) level at which it will begin to glow. The best way to see if the catalyst is active is to take a look at what is coming out of the chimney. If the catalytic combustor is working you can will some white water vapour coming out, compared to a more brown/grey smoke when the by-pass is opened. Do not burn any chemical chimney cleaner; it can make the catalyst inactive.

3.2.4 Combustion Control

There is no flue damper in the BIS PANORAMA. As is common with airtight stoves, the combustion air damper controls the air entering the firebox. This allows for a more precise control of the fire. The combustion air damper knob is located on the left of the bottom louver. It is opened when moved completely to the left. This control should be in the closed position when the fireplace is not in use. This will minimise air leakage up the chimney. **The combustion air control and the by-pass damper control must be opened before opening the door to minimise the possibility of back draft coming into the room.**

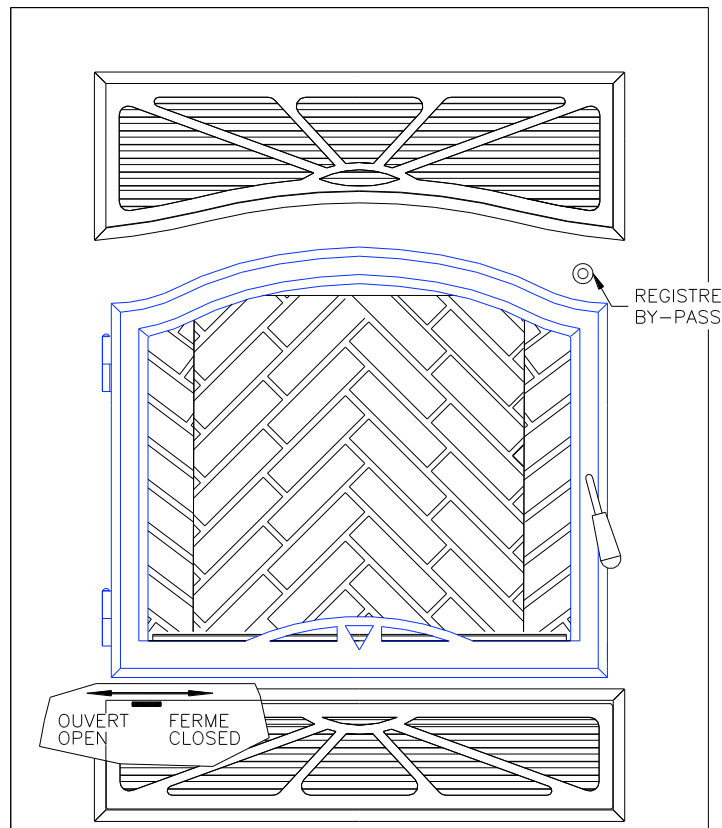
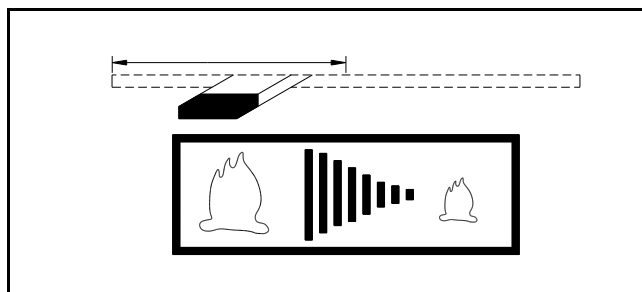


Figure 1

3.2.5 Accelerated Combustion

The maximum heat output for the BIS PANORAMA is achieved by burning with the combustion air damper opened. By this method, the BIS PANORAMA can produce up to 70,000 BTU of heat per hour.

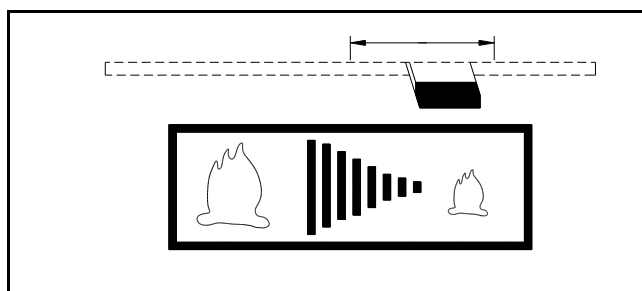


However, it will be necessary to reload with wood every one or two hours. This is the least efficient method of burning the BIS PANORAMA.

Use caution when firing with the combustion air control wide open. Only burn cordwood in this manner. Small dry pieces of softwood and construction scraps will burn very intensely using this method and may damage the firebox and catalytic combustor.

3.2.6 Medium Combustion

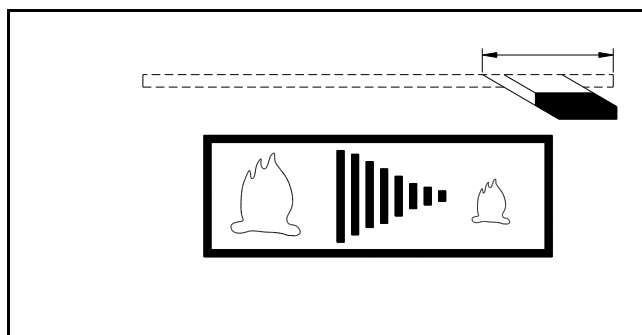
This is the recommended mode of operating the BIS PANORAMA and should be the one normally used since it will deposit the least amount of creosote on the glass and in the chimney. The combustion air damper must be closed.



The precise setting will depend on many factors, including chimney length and the moisture content of the wood. For instance, a long chimney will necessitate closing the damper more. To obtain the proper combustion, close the damper completely, and then open it about $\frac{1}{2}$ " to $\frac{1}{4}$ ". Three medium size pieces of wood should be burning on a bed of hot coals. The heat output will be approximately 35,000 BTU per hour and the loading time will be about every 3-4 hours. Softwoods may be burned using this method but the time will be substantially reduced.

3.2.7 Slow Combustion

When the air combustion damper is closed, the fireplace is in a slow combustion phase. Slow combustion will not stop the fire, but there will be a noticeable change in the flame pattern. The flames will be slow and may appear dirty if the wood is too wet (moisture content of 20% and more).



Always set the damper so that flames are visible, that way you maintain a good clean combustion process. This method of burning should be used only after operating the BIS PANORAMA with the air control opened to produce a hot fire for about an hour. Slow

combustion can be used at night in order to reduce the heat output and prolong the burn. The loading time will be between 6-10 hours.

3.2.8 Starting And Maintaining a Fire

- A) Place several crumpled up balls of newspaper in the firebox. Place small dry pieces of kindling on top of the paper, criss-crossing the kindling so that there are air spaces in between. Keep the fuel far back enough so that air can get underneath.
- B) Open the air control fully and pull the by-pass damper control towards you to put it in the OPEN position. Light the newspaper. Leave the door open until the fire is well established.
- C) Once the kindling fire is well established, add increasingly larger pieces of cordwood until the fire is actively burning. Close the door and maintain an accelerated combustion air set up in order to achieve combustor light-off conditions.
- D) When the fire is burning well, close the by-pass damper control by pushing the control rod in. It takes about 15 – 30 minutes with the by-pass opened to reach proper light-off temperatures for the catalytic combustor.
- E) Set the air control at the desired setting.

The unit will burn best with 2-3 pieces of cordwood spaced 1 to 2 inches apart and allowing air to get under the fuel. Criss-crossing or arranging the fuel so that air can get underneath, will help the fire get started easily.

3.2.9 Refuelling For Best Performance

To refuel the BIS PANORAMA at the end of a burn cycle where only hot embers remain and flames are gone (not enough heat to maintain catalyst operating temperatures):

- A) Open the by-pass and air controls fully.
- B) Open the door approximately 1 inch and wait five seconds until the draft is stable. Then open the door completely, load the fuel and close the door.
- C) Keep the combustion air damper and the by-pass damper opened for 10 minutes before closing it. It will ensure sufficient temperatures for combustor light off.

To refuel the BIS PANORAMA when the unit is still hot (Some burning fuel remaining or a glowing combustor)

- A) Open the by-pass and air controls fully.
- B) Open the door approximately 1 inch, wait five seconds until the draft is stable and then open it completely. Load the fuel, close the door and by-pass. (Temperatures within the firebox should be enough to maintain catalytic operation)

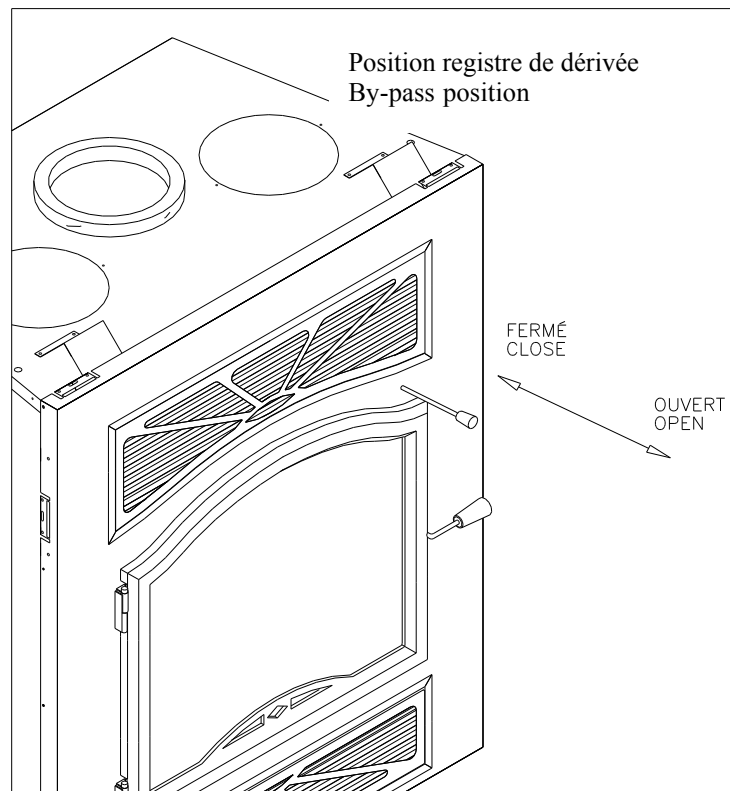


Figure 2

3.2.10 Smoking – Causes and Troubleshooting

To reduce the likelihood of smoking when opening the doors, set the air damper to the "accelerated combustion" position and open the by-pass damper before opening the doors. Your fireplace has been designed and tested to provide smoke free operation. Occasionally, there may be a small amount of smoking upon lighting the fire, until the chimney heats up but this should not continue. If the fireplace does continue to smoke, it is probably for one of the following reasons:

1. The door is partly open

Open the door fully.

2. Negative pressure in the house

As the fire burns, air goes up the chimney. This air must be replaced through leakage into the house or through the outside air duct. When operating the BIS PANORAMA, open a nearby window temporarily to check if there is adequate air replacement.

3. Fans operating (e.g.: range hood)

These fans draw air out of the house and may actually cause a negative pressure in the house. Turn off all fans and open a nearby window to determine if this is the cause of the problem.

4. Wet wood

Wet or tarred wood will smoulder and smoke instead of burn properly.

5. Dirty or blocked chimney

Check to make sure the chimney is clear and reasonably clean.

6. Chimney not long enough

The minimum chimney height is 12 ft., not including the fireplace height. The chimney must extend at least 3 feet (915 mm) above its point of contact with the roof and at least 2 feet (610 mm) higher than any roof or wall within 10 feet (3 m) of it. When installed with offsets, the minimum chimney height is 15 ft. Additional height will increase draught and will decrease the tendency to smoke.

7. Poor chimney draft

With no fire, there should be sufficient draught to exhaust cigarette smoke introduced under the baffle. Chimneys installed against an outside wall without protection may generate back draught problems that will cause start-up problems. To prevent this, open a nearby window, roll up a piece of paper and light it. Then, hold it in the upper part of the firebox to warm up the chimney. Wait until the draught is sufficient, and then start the fire.

8. Blower for central forced air kit operating (Not EPA approved)

Make sure that the blower is at the "off" position when you open the fireplace doors for reloading.

3.2.11 Important Notes

1. Do not block the hot air vents of the fireplace, as this will cause the fireplace to overheat.
2. Never start a fire using gasoline, kerosene, charcoal lighter fluid or any other combustible liquid.
3. Do not burn coal. The sulphur in coal will corrode the firebox.
4. Do not burn driftwood that has been in the ocean or salt water. The salt will corrode the firebox and chimney.
5. Do not operate the unit with the door partly open since this may cause smoke to be drawn into the room.
6. Do not burn wood in the area in front of the log retainers.
7. Do not abuse the unit by burning paper, or cardboard or construction material such as pressed wood, plywood or lumber.
8. Do not allow the wood to smoulder or burn without flame, since this will produce excessive creosote in the unit.

3.3 MAINTAINING YOUR BIS PANORAMA

3.3.1 *Creosote*

When wood is burned slowly, it produces tar and other organic vapours which combine with expelled moisture to form a black deposit called creosote that accumulates on the flue lining. When ignited, this creosote makes an extremely hot fire. If the creosote accumulation is large, a creosote fire in the chimney can damage the chimney and overheat the surrounding wood framing. Creosote formation in a chimney can be minimised by making hot fires rather than slow burning, smouldering fires and by proper refuelling techniques.

3.3.2 *Chimney Maintenance*

Regular chimney inspection and maintenance combined with proper operation will prevent chimney fires. Keep your chimney clean. Do not allow more than 1/16" creosote build up in your chimney. The amount of creosote will depend on variables such as frequency of use and type of fire. We recommend that you:

1. Initially inspect the chimney system weekly. From this, you will learn how often it will be necessary to clean your chimney.
2. Have your chimney cleaned by a qualified chimney sweep. If you wish to clean it yourself, we recommend using a stiff plastic or non-metallic brush. If a metal brush is used, its size should be slightly smaller than the flue to avoid damaging the chimney. Do not use a brush that will scratch the stainless steel interior of the chimney.
3. Do not expect chemical cleaners to keep your chimney clean. The rain cap can be removed for inspection and/or cleaning of the chimney. Using gloves, firmly grip the lower portion of the rain cap. Turn the cap 1/8 of a turn counter-clockwise and lift it off the chimney.

3.3.3 *Dealing With a Chimney Fire*

Regular chimney maintenance and inspection can prevent chimney fires. If you have a chimney fire, follow these steps:

1. Close the fireplace doors and the combustion air damper.
2. Alert your family of the possible danger.
3. If you require assistance, alert your fire department.
4. If possible, use a dry chemical fire extinguisher, baking soda or sand to control the fire. Do not use water as it may cause a dangerous steam explosion.
5. Check outside to ensure that sparks and hot embers coming out of the chimney are not igniting the roof.
6. Do not use the fireplace again until a qualified chimney sweep or a Fire Department Inspector has inspected your chimney and fireplace.

3.3.4 Catalytic Combustor

The BIS PANORAMA is designed with a catalytic combustor that will reduce pollution emissions and creosote build up while improving thermal efficiency. In order to optimise and maintain the combustor performance, it is important to visually check the combustor at least 3 times during the heating season to determine if physical degradation has occurred.

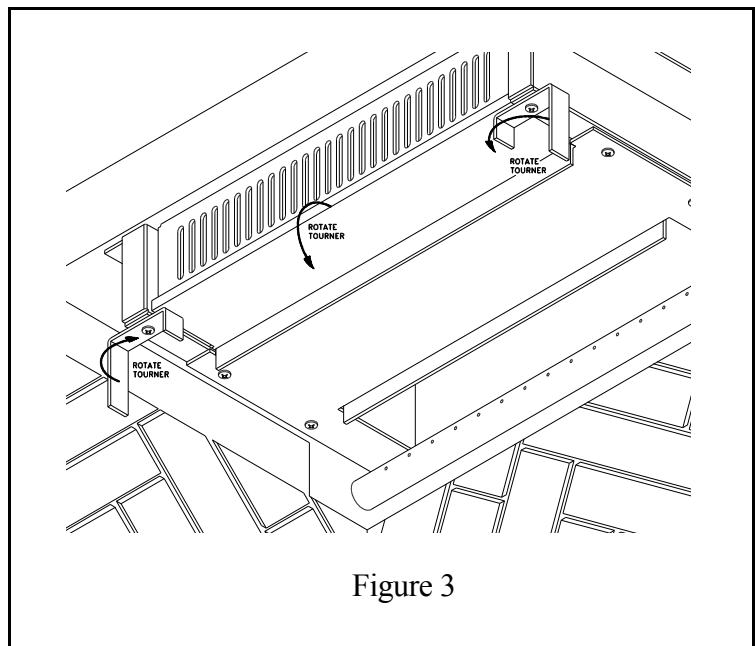
Catalytic combustors require little maintenance. Cleaning the combustor once a year, preferably when your flue system is serviced, is sufficient for most users.

Warning: To prevent damage to your combustor, **do not**

- Drop the combustor (which is fragile compared to the rest of the unit – so handle with care)
- Run water or compressed air through the combustor
- Try to clean the combustor with any sharp tool

Cleaning Procedure:

1. Rotate the retainers to release the combustor support plate while holding it to make sure it does not drop.
2. Rotate the support plate and remove the combustor.
3. Remove fly ashes on the combustor using a soft brush.
4. Put the combustor back in place.



3.3.5 Doorframe Care

Use a glass cleaner and a soft cloth to polish the frame. Do not use abrasives such as steel wool or steel pads for they may scratch the doorframe finish.

3.3.6 Ashes

Remove ashes only when the fire is out and the ashes are cold (24 to 48 hours after the fire is out). Open the bottom louver and doors, lift the door trap lever, and remove the plug on the door trap of the ashtray using gloves or a poker. Sweep the ashes in the opening with a brush or any similar tool. Reinstall the plug on the door trap and pull down the lever.

3.3.7 Refractory Brick Replacement

The intense heat of the fire will normally cause hairline cracks in the refractory. These cracks can be minimised by proper curing as described in "First Fires". They will not normally diminish the effectiveness of the refractory. If large cracks develop, then the refractory should be replaced. To replace the refractory bricks, follow these steps:

1. Remove the front refractory brick
2. Remove the bottom refractory brick
3. Remove the left side refractory brick
4. Remove the right side refractory brick
5. Remove the back refractory brick

To install the new refractory bricks, follow the above steps in reverse.

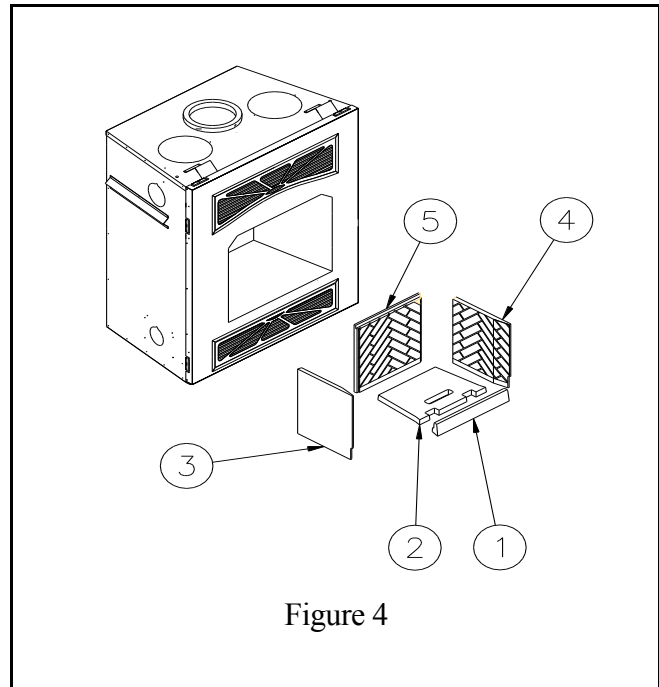


Figure 4

3.3.8 Door Installation

The door must be installed only when the installation of the BIS PANORAMA is completed. All you have to do is fit the male part of the hinge, already fixed on the door, in the female part, which is already fixed on the fireplace.

To remove the door, simply pull the door up from the hinges.

The adjustment of the door has been set at the factory. If the fit is still not perfect, you can adjust the door using the hinge screws (see fig.6).

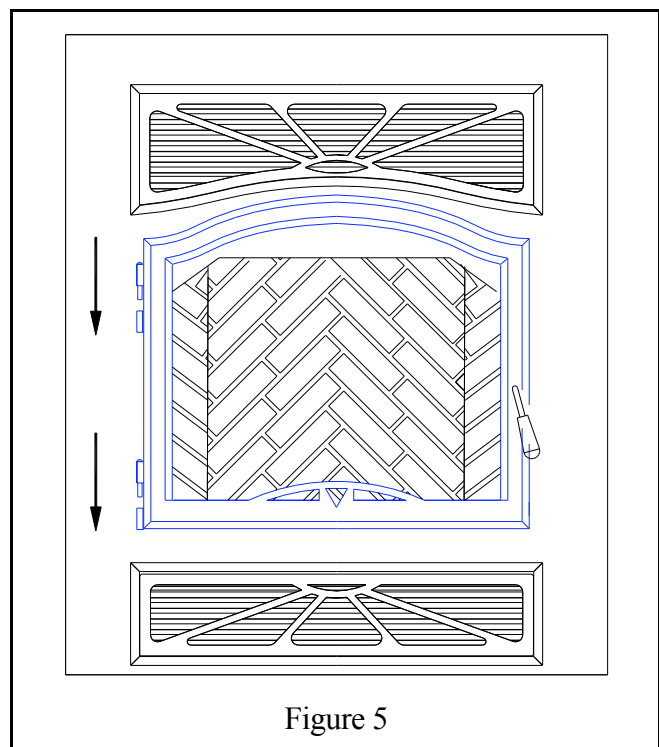


Figure 5

3.3.9 Door Adjustment

The door may need to be adjusted to be completely airtight. For a door to be considered air tight, a piece of paper cannot be inserted in between the façade of the fireplace and the door gasket. The gasket air tightness can be adjusted using the adjustment screw located on the fireplace façade at the bottom of the fireplace opening. (An Allen key # 1/8 will be necessary for adjustment).

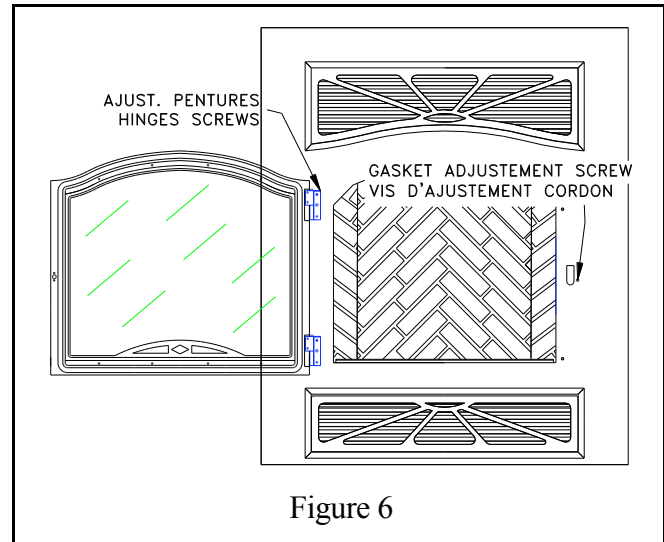


Figure 6

3.3.10 Glass Care - Replacement

The glass used for the BIS PANORAMA is a high temperature ceramic glass. If the glass breaks, it must be replaced with a ceramic glass. Tempered glass or ordinary glass will not withstand the high temperatures of the BIS PANORAMA. Replacement ceramic glass should be purchased from a Security Chimneys International dealer. Do not operate the unit with cracked or broken glass.

3.3.11 Glass Care - Cleaning

The BIS PANORAMA is designed to keep the glass clean under normal operating conditions. If the BIS PANORAMA is operated continuously with the combustion air damper closed, the glass will tend to get dirty unless the fuel, firebox and glass are maintained at hot temperatures (see "Refuelling For Best Performance"). To clean the glass, there are a number of specially designed cleaners. Your authorised Security Chimneys International dealer can recommend a suitable cleaner which is available in your area. Regular household glass cleaners will not clean creosote. Do not use abrasives such as steel pads, steel wool or oven cleaner as they will scratch the glass.

3.3.12 Gasket Replacement

Remove the door from the unit (see page 14) and lay it on a clean unabrasive surface. To replace the gasket, first remove all of the old gasket and gasket cement. Make sure that the surface is totally clean before applying new cement or adhesion problems may result. Apply gasket cement to the gasket channel and install the new gasket. This replacement part is available from your Security Chimneys International dealer in the following dimensions:

<u>Gasket</u>	<u>Length</u>	<u>Dimensions</u>
Around glass	83"	5/16" dia.
On door frame	92"	5/8" dia.

Around ash trap

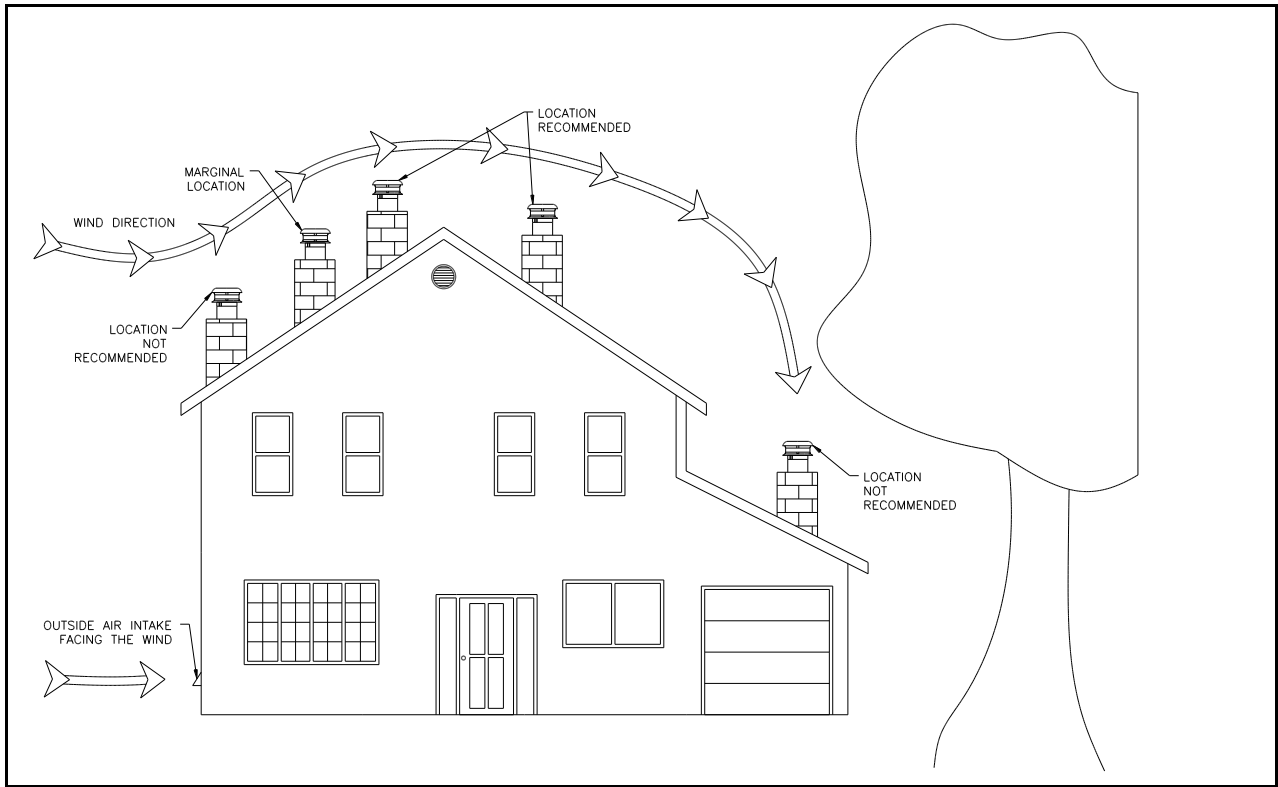
8"

2" wide x 1/4" thick

3.4 FIREPLACE INSTALLATION

3.4.1 *Locating the BIS PANORAMA*

1. The best place to install your fireplace is determined by considering the location of windows, doors, and the traffic flow in the room where the fireplace is to be located, allowing space in front of the unit for the hearth extension and the mantel, and taking into consideration the location of the hot air ducts (optional), outside air kit and chimney. If possible, you should choose a location where the chimney will pass through the house without cutting floor or roof joists (see fireplace dimensions page 17).
2. Usually, no additional floor support is needed for the fireplace. The adequacy of the floor can be checked by first estimating the weight of the fireplace system. Weights are given in the appendix. Next, measure the area occupied by the fireplace that is normally 38" X 24 _". Note the floor construction and consult your local building code to determine if additional support is needed.
3. A minimum of 7' (2134 mm) measured from the floor to the ceiling is required to install the BIS PANORAMA. The appliance can be installed on a combustible floor or on a base, leaving at least 6'8" (2032 mm) from the base of the unit to the ceiling.
4. When selecting the location, the chimney outlet position and the direction of the wind are important factor affecting the chimney performance. To allow a maximum draft and to reduce wind turbulence, the chimney must:
 - Penetrate the highest part of the roof.
 - Be installed as far as possible of roof offsets, trees or any other obstructions that may cause wind turbulence and back drafts in the chimney.
 - The least amount of offsets (elbows) possible.



3.4.2 Hearth Extension Requirements

The fireplace can be installed directly on a combustible floor. Combustible floor in front of the fireplace must be covered with tile, marble, stone or any other non-combustible material (fig. 7).

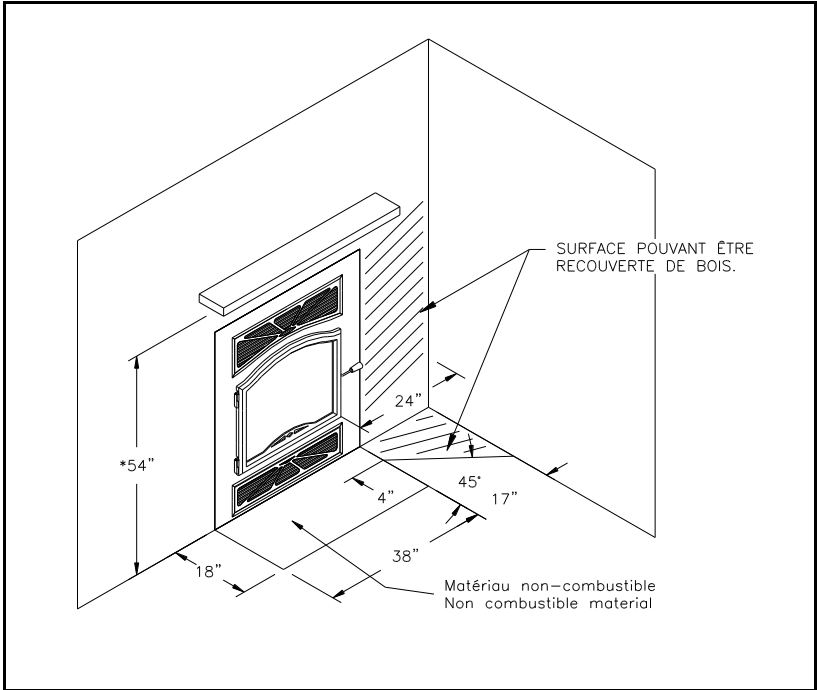


Figure 7

* The shelf may be lowered to 48 inches if the upper panel is blocked by the panel for clean face option (BPCF) and that hot air gravity ducts are used (7B30ZR-1).

3.4.3 Framing, Facing and Mantel

The construction of the framing, facing, and mantel must be in accordance with the standards and the following illustrations (figures 8 to 12):

1. Frame the fireplace using 2" x 3" or heavier lumber.
2. **WARNING:** Combustible materials cannot be used in the space directly above the fireplace (except for framing on the front facing). This area must remain empty for a **height of 6'8" (2032 mm) measured from the base of the appliance.**
3. Frame the fireplace with vertical studs at the sides of the fireplace running from floor to ceiling (see figure 8). If combustible facing is to be used, position the studs back, from the front edge of the fireplace, a space the thickness of the facing material so that the facing can be installed flush with the fireplace facing. Frame headers between the vertical studs only as follows:
 - Place 2" x 3" or 2" x 4" headers, only along the upper part of the front, side and back faces. Do not put wood or any combustible material within the area above the fireplace except on the front facing.
 - Place headers only as required to support the facing and mantel.
4. **The fireplace cannot be in contact with the house insulation material. Cover the insulation with Gyproc panels or other rigid materials around the fireplace.**

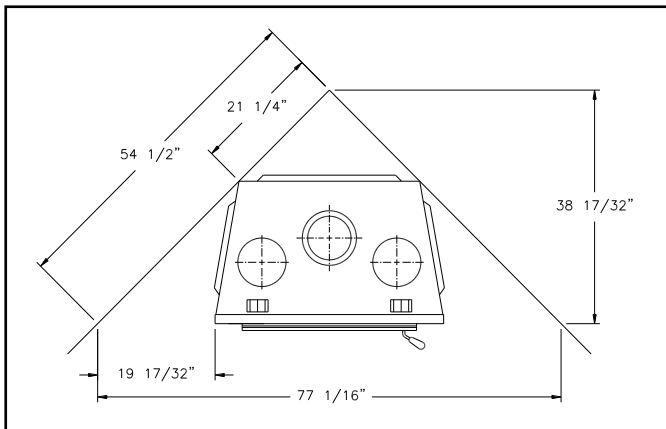


Figure 8

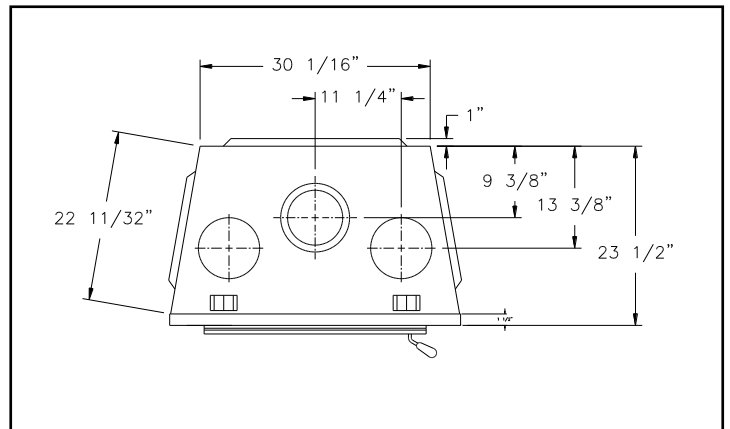


Figure 9

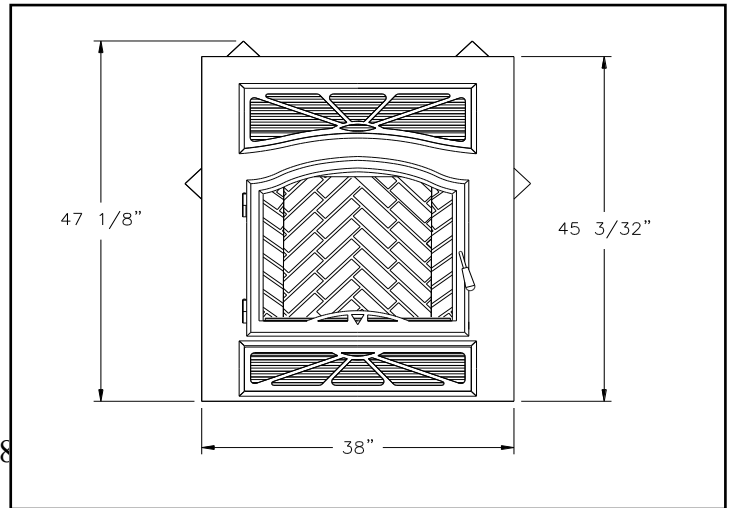
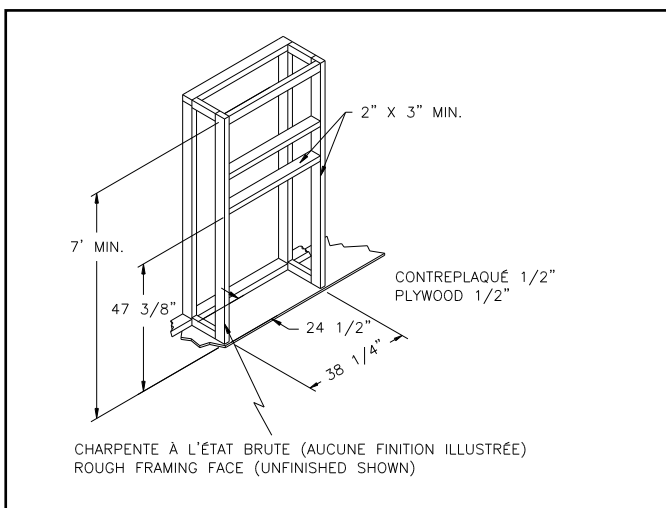


Figure 10

Figure 11

INSULATED CHASE CONSTRUCTION

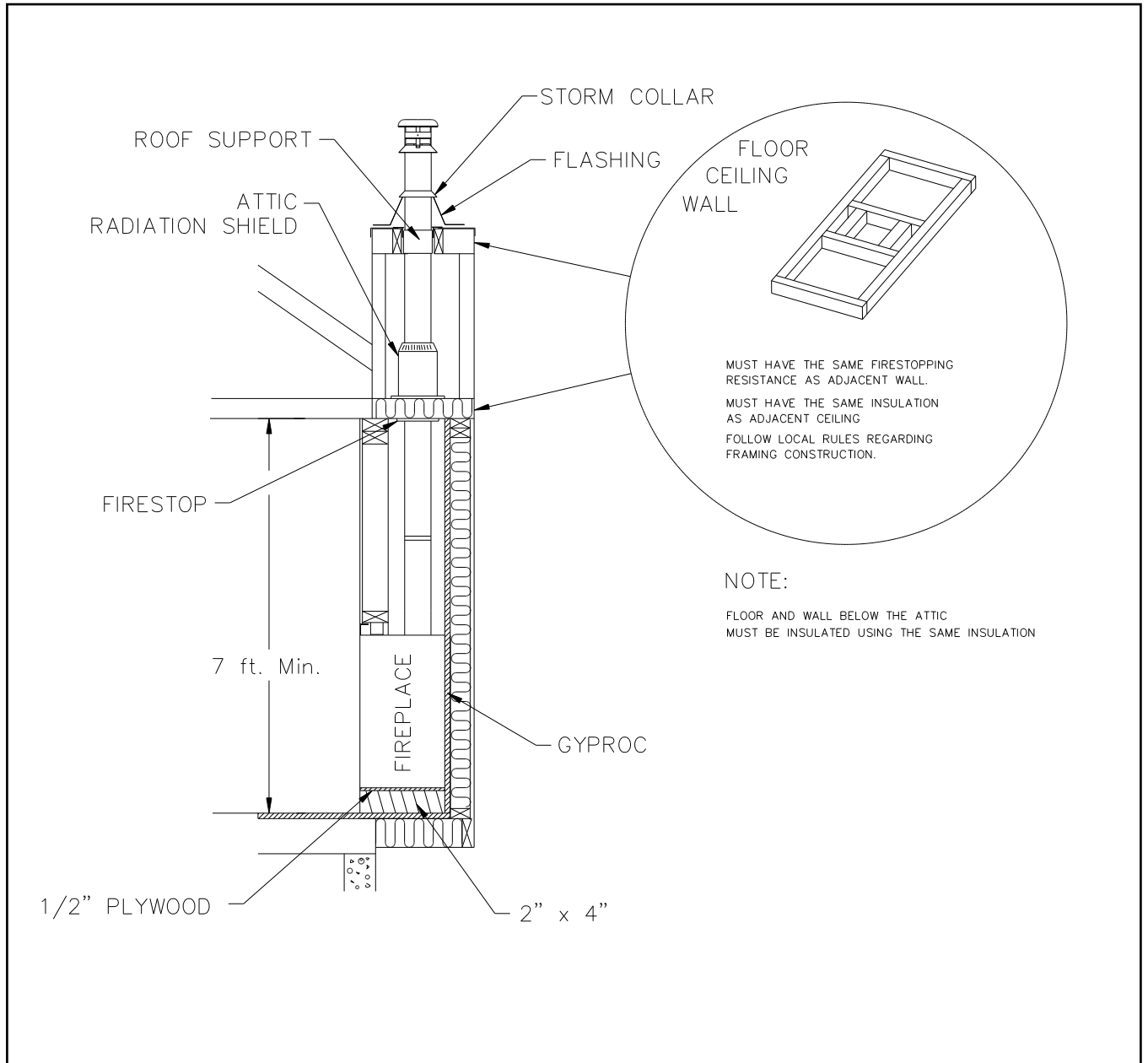


Figure 12

Facing

1. Combustible wall (such as Gyproc) must be installed flush with the fireplace. It may not project in front of and on the fireplace (i.e. the steel façade of the fireplace) (figure 15).
2. Decorative frame made of combustible material cannot project in front of and on the fireplace steel front, in the space delimited by the width of the unit (38") and a height of 54" from the base of the appliance. (Figure 15)
3. Non-combustible materials such as brick, stone or ceramic tile may project in front of and onto the fireplace facing (figure 14).

Mantel

The mantel must be installed at least 54" (1372 mm) above the base of the fireplace (figure 13). The shelf may be lowered to 48 inches if the upper panel is blocked by the panel for clean face option (BPCF) and that hot air gravity ducts are used (7B30ZR-1).

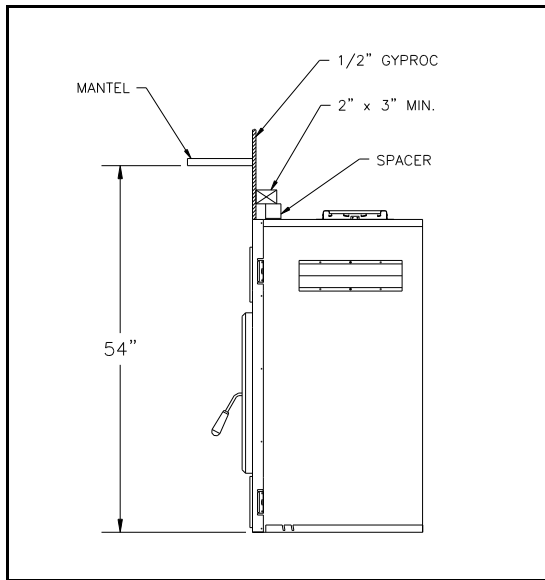


Figure 13

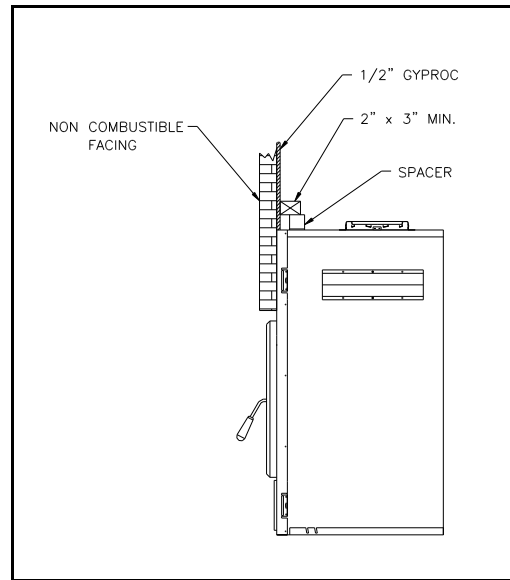


Figure 14

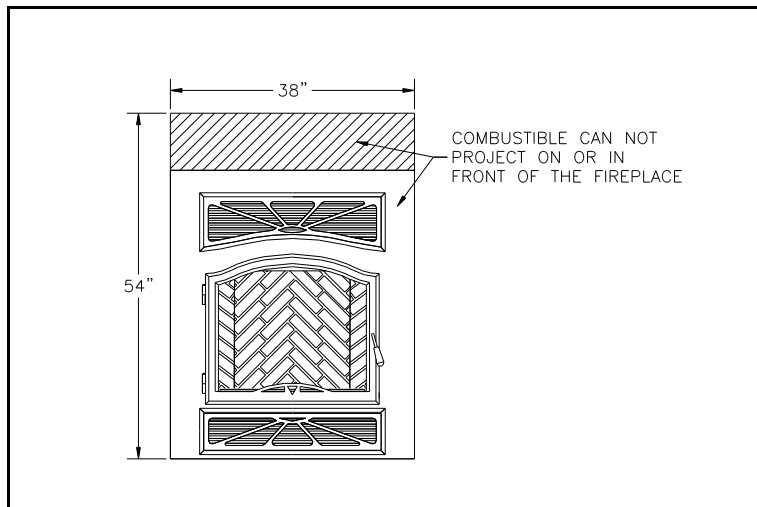


Figure 15

3.5 HOT AIR DUCTING INSTALLATION

Different hot air ducting systems can be installed with the BIS PANORAMA:

- Gravity kit
- Forced air kit (Not EPA approved) (p. 21)

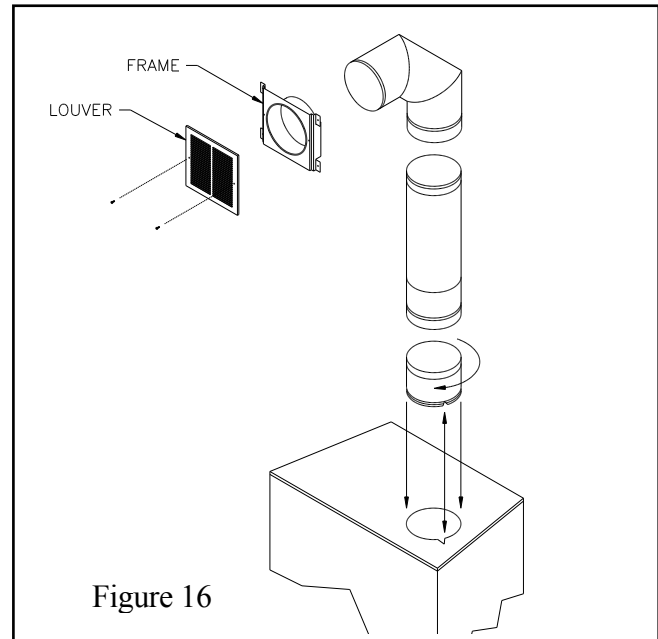
3.5.1 *Gravity Kit*

Part List (7B30ZK-1)

(See Figure 16)

- 2 telescopic lengths 8" I.D.
- 2 90° elbows 8" I.D.
- 2 hot air outlet kits (louvers and frames)
- 2 adaptors

See components list page 36.



The gravity kit allows you to block the upper grill of the fireplace. To do so, follow the steps below:

- Remove the upper grill and its frame from the fireplace.
- Install the panel for clean face option (BPCF) making sure that the insulation strip is installed inside.
- The fireplace façade can be covered with non-combustible material (fig. 18).

The safety rules for hot air ducting gravity kit installations are the following:

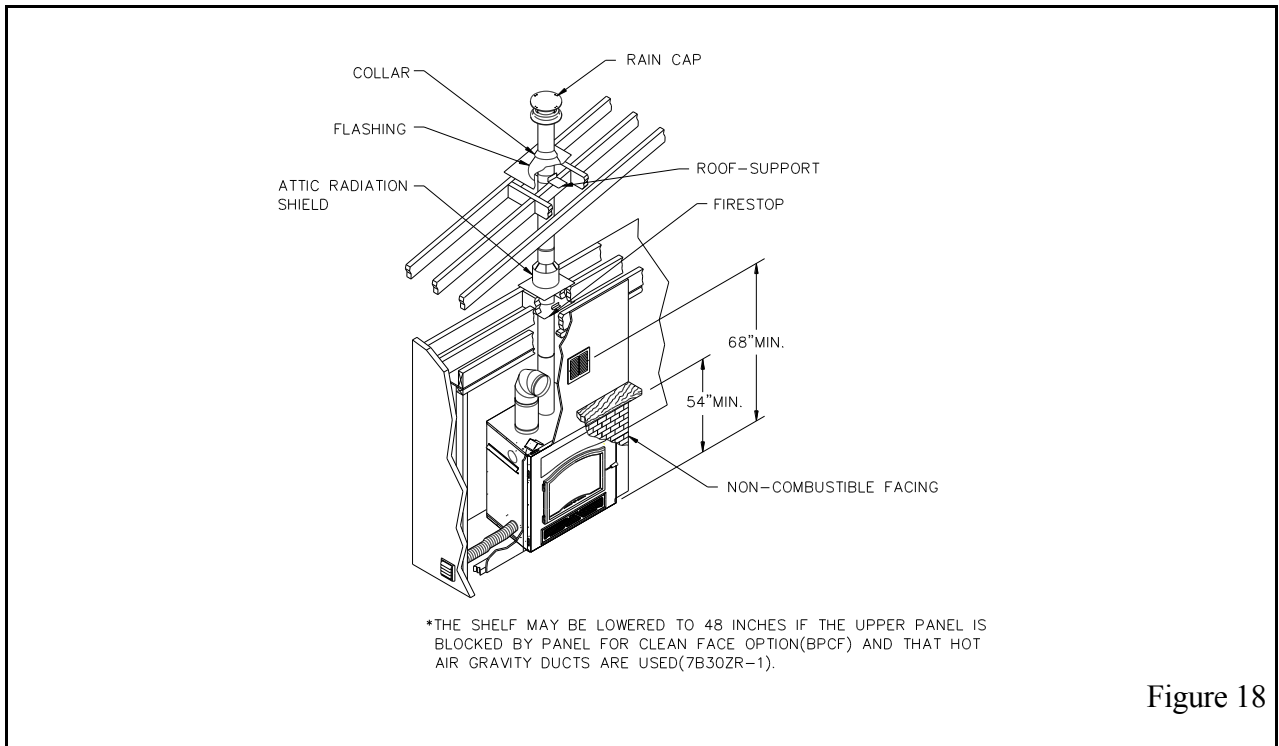
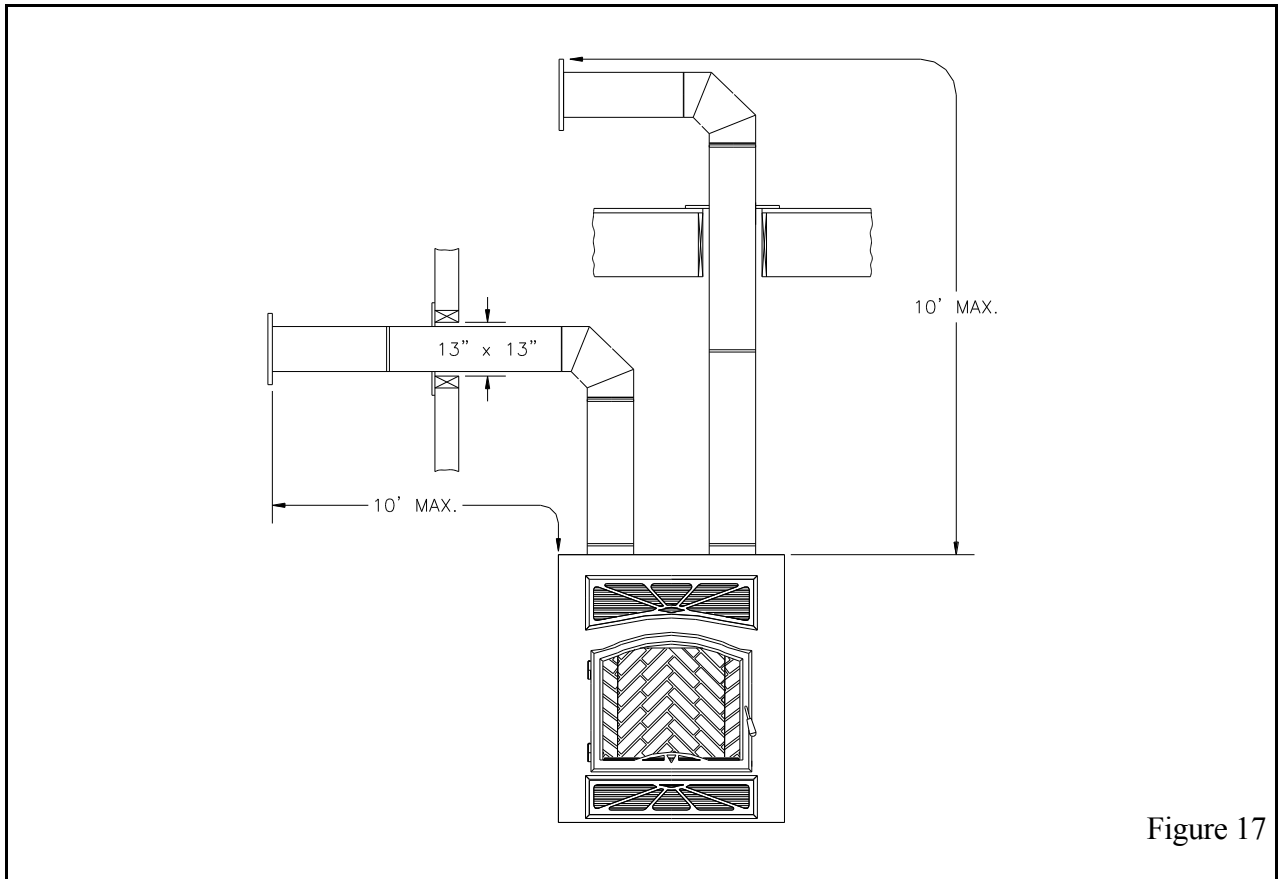
Minimum height* 68" (1727 mm)

Maximum length See figure 17

* *The height of the louver must be measured from the base of the BIS to the middle point of the louver.*

When installing the double outlet system, the hot air outlets can be installed in the same room as the fireplace, or one or both of the outlets can be installed in adjacent or upper rooms. Installing the ducts at different elevations will tend to exhaust more heat out of the higher outlet (figure 17).

WARNING: both pipes of the gravity kit must be installed. Any other installation may cause fire and void warranty.



The duct system must be installed respecting the following:

1. Remove the top and bottom plates closing up the 8" dia. holes on top of the fireplace. Then, cut the insulation in order to obtain two 8" dia. openings. Fix the adaptors on the fireplace openings by turning clockwise (figure 16.)
2. Maintain at least a 2" (50mm) clearance between the ducts and any combustible material; the required hole size is 13" x 13" (330 mm x 330 mm).

Exception: For the grills, the framing can be 10 _" x 10 _" (275 mm x 275 mm) to provide the clearance as required by the integral spacers on the double outlet duct system.

3. The maximum number of elbows in a run of duct is two.
4. Maintain at least 6 _" (160 mm) clearance from the outlet grill framing to a combustible ceiling, side wall or mantel.
5. When traversing a combustible wall or floor, a firestop must be installed at the wall or floor penetration. The hole size must be 13" X 13". (330 mm x 330 mm)
6. Do not connect the hot air ducts to a central heating system. Malfunction of the heating system's fan will cause the fireplace to overheat. A furnace duct is only single wall and not double wall as is required for the BIS PANORAMA hot air exhaust.
7. Use only Security Chimneys International grills and components as described in this manual. Other grills or registers, for example, may be too restrictive and may overheat the fireplace or ceiling.
8. Do not use insulated flexible ducts, as they may overheat.
9. Do not use tees or any other components than the ones specifically listed here.
10. All ducts must extend upwards or horizontally. Never try to route the ducting downward.
11. The hot air outlet grills must be installed with the louvers pointing downwards in order to prevent overheating adjacent ceilings.

3.5.2 *Forced Air Kit* (Not tested under EPA certification)

The knock-outs provided on the back and on the sides of the BIS PANORAMA allow the connection of insulated flexible pipe which enables you to heat adjacent rooms up to 50 feet from the fireplace.

The ducting system must be installed as described below:

1. Fix the adaptor at the back and/or the side of the fireplace by twist-locking the adaptor to the fireplace. You can use more than one outlet on the fireplace (figure 19).
2. Attach the 5" flexible pipe, using the collars provided. **Important:** Make sure that the plastic wrapping around the flexible pipe will not be in contact with the fireplace.
3. Route the flexible pipe to the chosen location. The ducting system can be installed either in an upper room or in a lower room.
4. Attach the flexible pipe to the fan, using the collars (figure 20).
5. Fix the decorative grill fan adaptor to the fan.
6. Attach a standard 3" x 10" grill to the adaptor.
7. Install the *blower thermostat* in that part of the house to be heated by the hot air duct. **Do not install the *blower thermostat* in the room where the fireplace is located.** A *cooling thermostat* can be installed in the same room as the unit. This thermostat will turn on the blower when the room where the fireplace is located becomes too hot.

This option requires electricity. Make sure that the connections to the fan have been made according to the local codes and comply with their requirements.

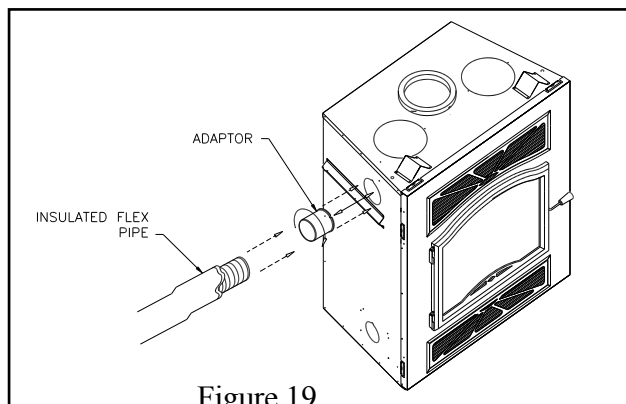


Figure 19

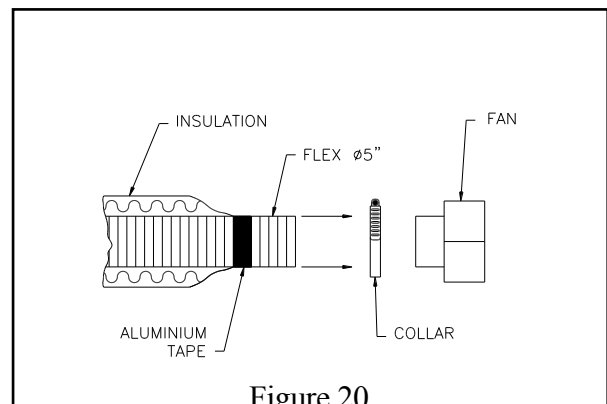


Figure 20

3.6 OUTSIDE AIR KIT

The installation of an outside air assembly is required on the BIS PANORAMA.

The outside air assembly must be installed according to the following requirements:

1. Duct length should be kept to a minimum. The maximum length of a 4" I.D. (100mm) insulated flexible duct is 20 ft. (6.1 m). The duct can be extended to a maximum of 40 ft. (12 m) using a 6" I.D. (150mm) insulated flexible duct.
2. The air intake register must not be installed more than 10 ft. (3050 mm) above the base of the fireplace.
3. The fresh air must come from outside the house. The air intake must not draw air from the attic, from the basement or garage.
4. The air intake register should be installed where it is not likely to be blocked by snow or exposed to extreme wind and well away from automobile exhaust fumes, gas meters and other vents.
5. The duct and register may be installed above or below floor level.

3.6.1 *Outside Air Installation*

Make a 4 _" (110 mm) hole in the outside wall of the house at the chosen location. From outside, place the outside air register in the hole (open side down) and fasten the register to the wall, with screws as shown (see figure 22). Slip the pipe into the insulated sleeve. Place the insulated pipe over the register tube and over the fireplace's outside air connector (see figure 23). At each end, carefully pull back the insulation and plastic cover exposing the flexible pipe. Using the aluminium tape provided, wrap the tape around the joint between the flexible pipe and the air inlets. Carefully push the insulation and plastic cover back over the pipe. Using aluminium tape, fasten the plastic cover in place.

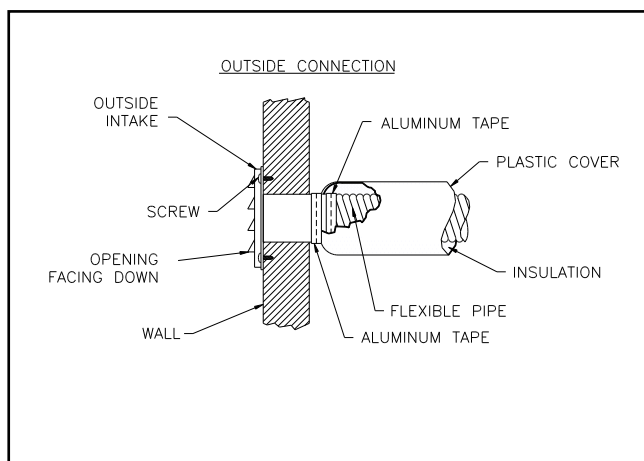


Figure 22

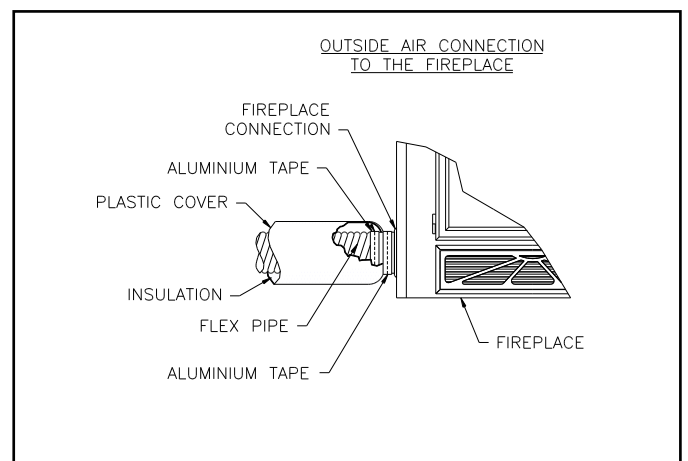
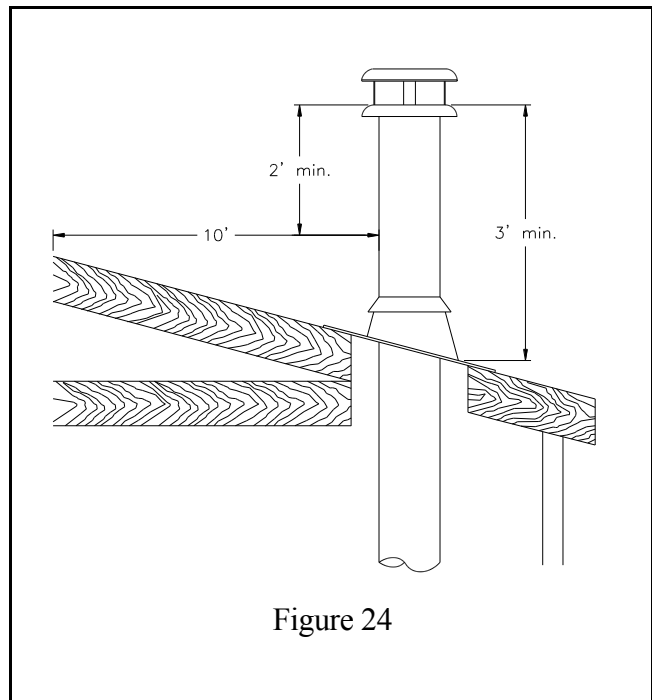


Figure 23

4. THE CHIMNEY

4.1 CHIMNEY INSTALLATION NOTES

1. If possible, install an interior chimney, as it will provide better performance. In areas with continuous temperatures below 18° C (0° F), the use of an exterior chimney increases the likelihood of operating problems such as low draft, high rate of creosoting, and poor start-up characteristics. Exterior chimneys are also prone to down drafting and flow reversal. Installations, which are located on lower floors in the house, such as in a basement, in combination with outside chimney, are especially prone to flow reversal.
2. The Security fireplace model BIS PANORAMA is listed only with Security Chimneys International Ltd 7" dia. chimney systems (Secure Temp^{S2100+}, Nova Temp^{HT6000+}, Secure Temp^{ASHT+}, Nova Temp^{HT6103+} and ACBI chimney systems.)
3. A chimney venting a fireplace shall not vent any other appliance.
4. The minimum chimney height is 12 ft. (3.7 m). In altitude, add 18" (450 mm) to the chimney for every 2000 feet (600 m) above sea level.
5. All chimney installations must include at least one support. The maximum chimney length that can be supported by the fireplace is 9 ft. (2.75 m) for Secure Temp^{S2100+} / Nova Temp^{HT6000+}, 12 ft. (3.7 m) for Secure Temp^{ASHT+} / Nova Temp^{HT6103+} and 20 ft. (6m) for ACBI chimney.
6. The chimney must extend at least 3 ft. (915 mm) above its point of contact with the roof and at least 2 ft. (610 mm) higher than any wall, roof or building within 10 ft. (3m) of it (Figure 24).
7. If the chimney extends higher than 5 ft. (1500 mm) above its point of contact with the roof, it must be secured using a roof brace.
8. A rain cap must be installed on top of the chimney. Failure to install a rain cap may cause corrosion problems.
9. Cut and frame square holes in all floors, ceilings, and roof that the chimney will go through to provide a 2" (50 mm) clearance between the chimney and any combustible materials. Do not fill this 2" space with insulation or any other combustible material.
10. Portions of the chimney that may extend through accessible spaces must be enclosed to avoid contact with combustible materials or damage the chimney.



4.2 CHIMNEY INSTALLATION INSTRUCTIONS

1. Cut and frame the holes in the ceiling, floor and roof where the chimney will pass (see figure 25). Use a plumb bob to line up the centre of the holes. The sizes are indicated in table 1 for the floor and ceiling holes and table 2 (page 28) for the roof holes.

CHIMNEY MODEL	SQUARE HOLE SIZE OPENING
Secure Temp ^{ASHT+} Nova Temp ^{HT6103+}	13 3/8" (340 mm)
Secure Tempo ^{S2100+} Nova Temp ^{HT6000+}	15 1/8" (384 mm)
ACBI: Ceiling (1 inch clearance)	15" (380 mm)
Wall	17" (432 mm)

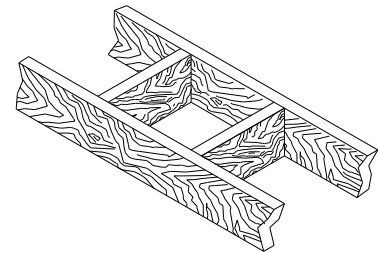


Figure 25

Table 1

2. From below, install a firestop in each ceiling/floor separation through which the chimney will pass. At the attic level, install an attic radiation shield from above. (Figures 26 & 27).
3. For Secure Temp^{ASHT+} / Nova Temp^{HT6103+} and Secure Temp^{S2100+} / Nova Temp^{HT6000+} chimneys, place the first chimney length on the fireplace. To lock it in place, turn $\frac{1}{4}$ of a turn clockwise. With the ACBI chimney, you must use a starter section before installing the first chimney length (figure 28). Continue installing chimney lengths making sure to lock each length in place.
4. Every time the chimney passes through a ceiling or a wall, install the appropriate firestop. When you reach the desired height, install the roof support. (Refer to instructions included with the support). For the ACBI use a universal support.
5. Then, put the roof flashing in place and seal the joint between the roof and the flashing with roofing pitch. (See figures 29 & 30). For sloping roofs, place the flashing under the upper shingles and on top of the lower shingles. Nail the flashing to the roof, using roofing nails.
6. Place the storm collar over the flashing, and tighten it with the bolt supplied. Finally, seal the joint between the storm collar and the chimney, using silicone caulking.
7. Install the chimney cap.

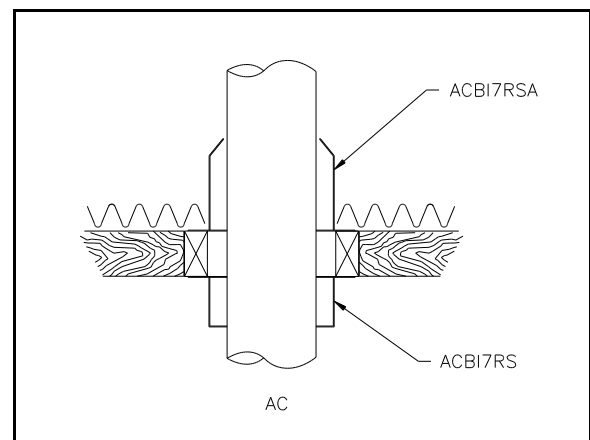
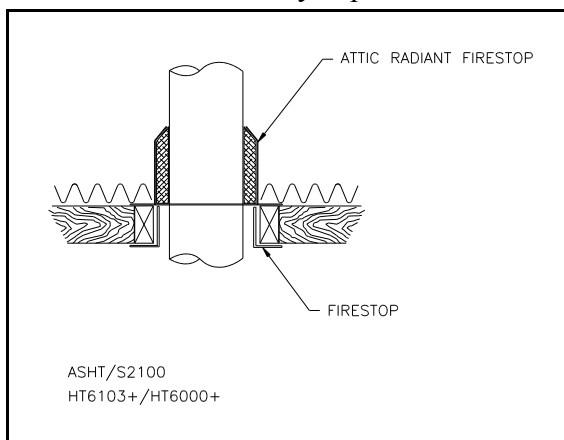


Figure 26

Figure 27

AC CHIMNEY INSTALLATION (AIR COOLED GALVALUME CHIMNEY)

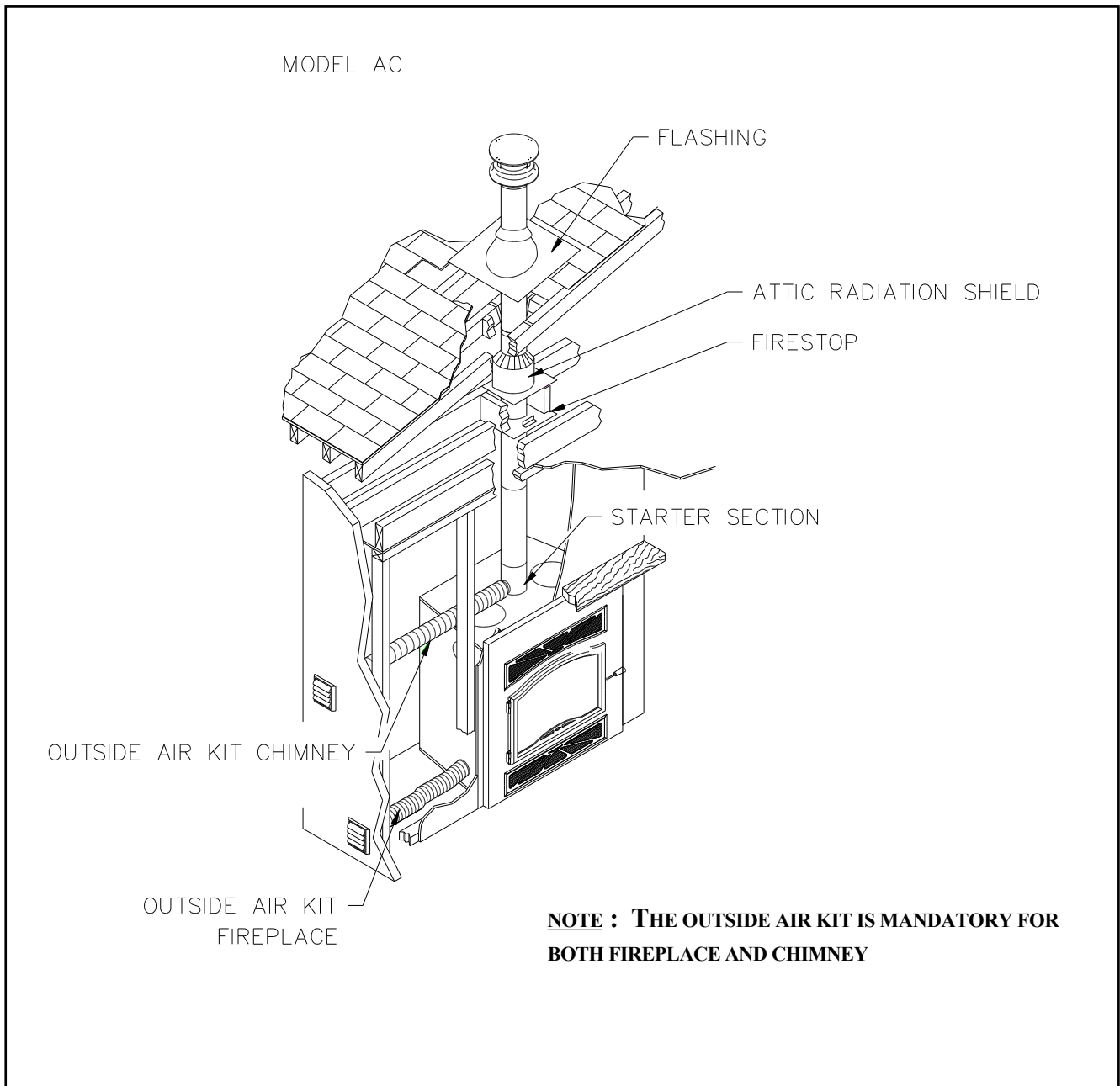


Figure 28

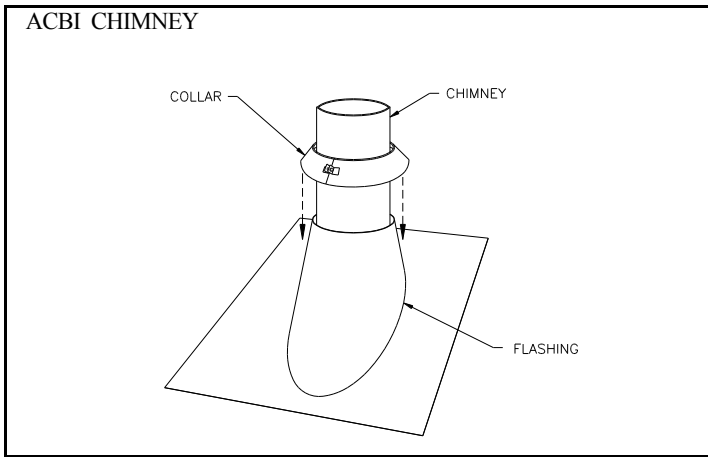


Figure 29

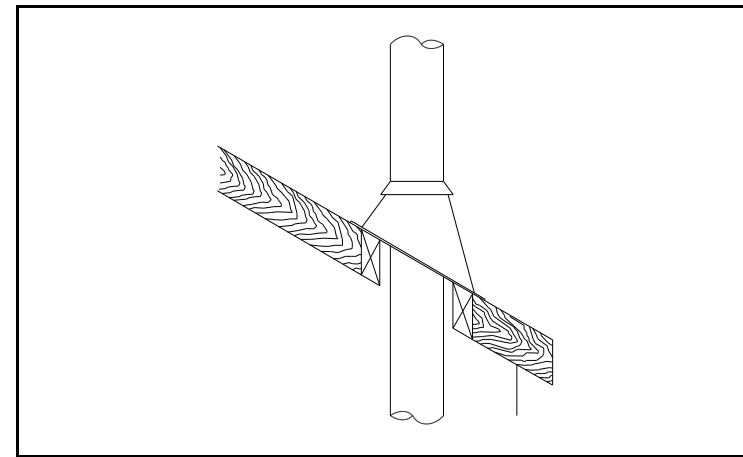


Figure 30

Table 2

ROOF DOWN SLOPE HOLE SIZE			
SLOPE	Secure Temp ^{ASHT+} Nova Temp ^{HT6103+}	Secure Temp ^{S-2100+} Nova Temp ^{HT6000+}	ACBI
Roof Pitch	7"	7"	7"
0 *	13 3/8" (340 mm)	15 1/8" (384 mm)	15" (380 mm)
2/12	13 5/8" (345 mm)	15 3/8" (390 mm)	15 3/8" (390 mm)
4/12	14 1/8" (359 mm)	16" (406 mm)	16 1/8" (410 mm)
6/12	15" (380 mm)	17" (432 mm)	16 7/8" (430 mm)
8/12	16 1/8" (410 mm)	18 1/4" (465 mm)	18 1/4" (465 mm)
10/12	17 1/2" (445 mm)	19 3/4" (502 mm)	19 5/8" (500 mm)
12/12	19" (483 mm)	21 3/8" (545 mm)	21 3/8" (545 mm)
* CROSS SLOPE HOLE SIZE			

4.3 OFFSET CHIMNEY INSTALLATION

The minimum chimney height when using elbows is:

Fireplace model	BIS PANORAMA
Chimney model	Secure Temp ^{S-2100+} / Nova Temp ^{HT6000+} / Secure Temp ^{ASHT+} / Nova Temp ^{HT6103+} ACBI
Vertical installation	12 ft (3.66 m)
Two (2) elbows	15 ft. (4.57 m)
Four (4) elbows	17 ft. (5.18 m)

Table 3

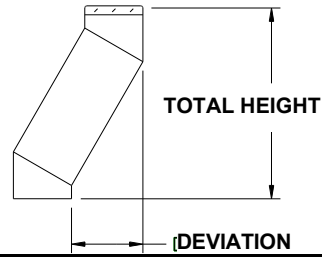
After reaching the location requiring the elbow, proceed as follows:

Secure Temp^{S2100+} / Nova Temp^{HT6000+} / Secure Temp^{ASHT+} / Nova Temp^{HT6103+} Chimneys

1. Install the first elbow; turn it in the required direction. Fasten it to the chimney with the three (3) _" (12 mm) metal screws provided with the elbow.
2. Install the necessary chimney lengths to achieve the required offset. Lock the chimney lengths together: it is recommended to use three (3) _" (12 mm) screws. If the offset length is made of two (2) chimney lengths or more, use an offset support halfway up the offset. If penetrating a wall, install a wall radiation shield (see figures 32 & 33).
3. Use another elbow to turn the chimney vertically. Secure the elbow, using three (3) _" (12 mm) screws (provided with the elbow).
4. Use a plumb bob to line up the centre of the hole. Cut a hole for the chimney in the ceiling/floor. Frame this hole as described previously (refer to page 28).
5. From below, install a firestop (See figure 26).
6. A support (ST+ or SO+) must be used on the first 15' section (5 m.).
7. Continue with the regular installation.

ACBI Chimney

1. Install the first elbow. Turn it in the required direction. To lock it in place, turn 1/8 of a turn. Fasten the straps attached to the elbow to the surrounding frame, using nails or drywall screws (figure 31).
2. Install the necessary chimney lengths to achieve the required offset. Lock the chimney lengths together. If penetrating a wall, use a wall radiation shield.
3. Use another elbow to turn the chimney vertically. Lock it to the chimney. Fasten the straps attached to the elbow to the surrounding framing using nails or drywall screws.
4. Use a plumb bob to line up the centre of the hole. Cut a hole for the chimney in the ceiling. Frame this hole as described previously.
5. From below, install a firestop. (See figure 27).
6. Continue with the regular installation.



CHIMNEY 7"	ELBOW	DEVIATION & LENGTH	ONE LENGTH BETWEEN ELBOWS						TWO LENGTHS BETWEEN ELBOWS						
			8"	12"	18"	24"	36"	48"	8" & 36"	12" & 48"	18" & 48"	24" & 48"	36" & 48"	48" & 48"	
Secure Temp ^{ASHT+} Nova Temp ^{HT6103+}	15°	DEVIATION	3 ⁵ / ₁₆	4 ⁵ / ₁₆	5 ⁷ / ₈	7 ⁷ / ₁₆	10 _	13 ⁵ / ₈	15 ³ / ₈	16 ⁷ / ₁₆	18	19 _	22 ⁵ / ₈	25 _	
		LENGTH	15 ¹¹ / ₁₆	19 ⁹ / ₁₆	25 ³ / ₈	31 ³ / ₁₆	42 _	54 ³ / ₈	60 ¹⁵ / ₁₆	64 ¹³ / ₁₆	70 ⁹ / ₁₆	76 ³ / ₈	87	99 ⁹ / ₁₆	
	30°	DEVIATION	7 ⁷ / ₁₆	9 ⁷ / ₁₆	12 ⁷ / ₁₆	15 ⁷ / ₁₆	21 ⁷ / ₁₆	27 ⁷ / ₁₆	30 ¹³ / ₁₆	32 ¹³ / ₁₆	35 ¹³ / ₁₆	38 ¹³ / ₁₆	44 ¹³ / ₁₆	50 ¹³ / ₁₆	
		LENGTH	20	23 _	28 ¹¹ / ₁₆	33 ⁷ / ₈	44 _	54 ¹¹ / ₁₆	60 ⁹ / ₁₆	64	69 _	74 ⁷ / ₁₆	84 ¹³ / ₁₆	95 _	
	45°	DEVIATION	10 ⁵ / ₁₆	13 ³ / ₁₆	17 ³ / ₈	21 ⁵ / ₈	30 ¹ / ₈	38 ⁵ / ₈	43 ⁷ / ₁₆	46 _	50 _	54 _	63 _	71 ¹¹ / ₁₆	
		LENGTH	17 ¹³ / ₁₆	20 ⁵ / ₈	24 ⁷ / ₈	29 ¹ / ₈	37 ⁵ / ₈	46 ¹ / ₈	50 ¹⁵ / ₁₆	53 _	58	62 _	70 _	79 ³ / ₁₆	
CHIMNEY 7"	15°	DEVIATION	3 ⁵ / ₁₆	4 ⁵ / ₁₆	5 ⁷ / ₈	7 ⁷ / ₁₆	10 _	13 ⁵ / ₈	15 _	16 _	18 ¹ / ₁₆	19 ⁵ / ₈	22 _	25 ¹³ / ₁₆	
		LENGTH	16	19 ⁷ / ₈	25 ¹¹ / ₁₆	31 _	43 ¹ / ₁₆	54 ⁵ / ₈	61 ⁷ / ₁₆	65 _	71 ¹ / ₁₆	76 ⁷ / ₈	88 _	100 ¹ / ₁₆	
	30°	DEVIATION	7 ³ / ₈	9 ³ / ₈	12 ³ / ₈	15 ³ / ₈	21 ³ / ₈	27 ³ / ₈	30 ⁷ / ₈	32 ⁷ / ₈	35 ⁷ / ₈	38 ⁷ / ₈	44 ⁷ / ₈	50 ⁷ / ₈	
		LENGTH	20 ¹¹ / ₁₆	24 ³ / ₁₆	29 ³ / ₈	34 ⁹ / ₁₆	44 ¹⁵ / ₁₆	55 ⁵ / ₁₆	61 ³ / ₈	64 ⁷ / ₈	70 ¹ / ₁₆	75 _	85 ⁵ / ₈	96	
	CHIMNEY 7"	15°	DEVIATION	---	5 _	7	---	11 _	14 _	---	17 _	19	---	23 ⁵ / ₈	26 _
			LENGTH	---	32 _	38	---	55 _	67	---	77 ¹ / ₈	82 ⁷ / ₈	---	100 _	111 ¹ / ₈
30°		DEVIATION	---	10 _	13 _	---	22 _	28 _	---	33 _	36 _	---	45 _	51 _	
		LENGTH	---	30 ¹ / ₈	35 ³ / ₈	---	51	61 ³ / ₈	---	70 _	75 ⁵ / ₈	---	91 _	101 ⁵ / ₈	
NOTE : With the ACBI chimney, a starting length of 6" high must be used on top of the fireplace before installing															

Table 4

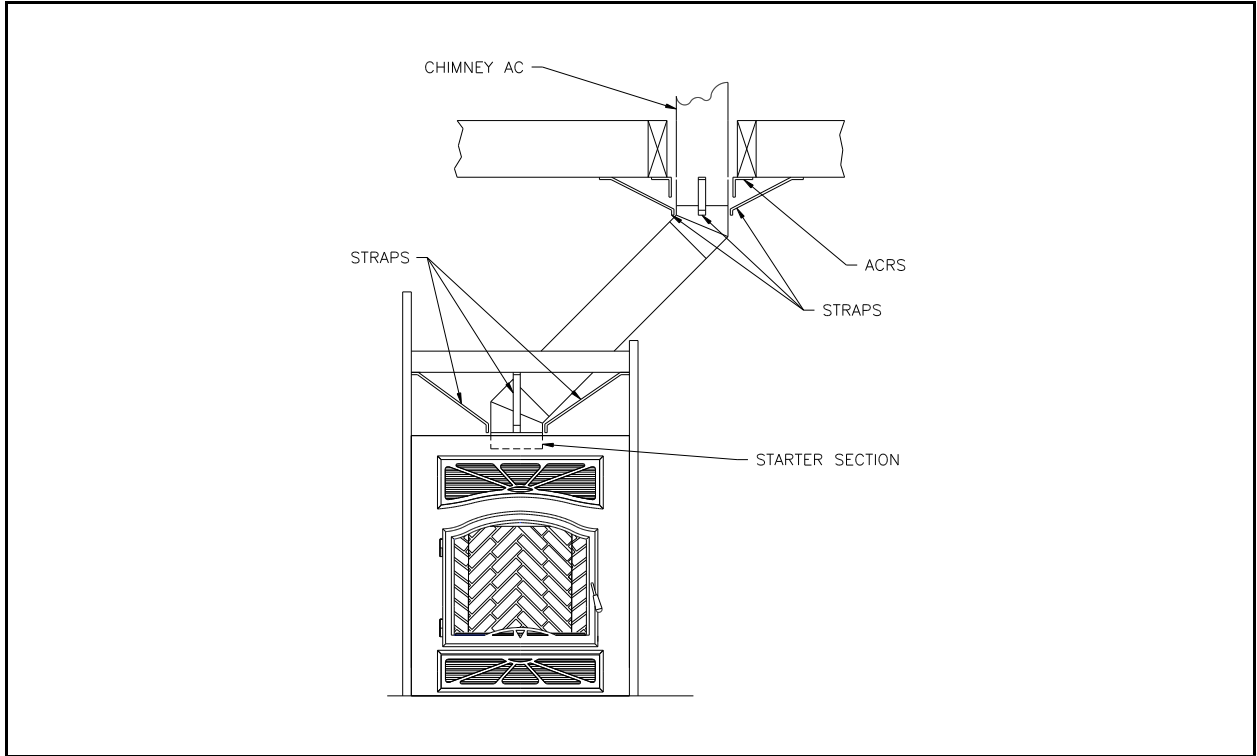


Figure 31

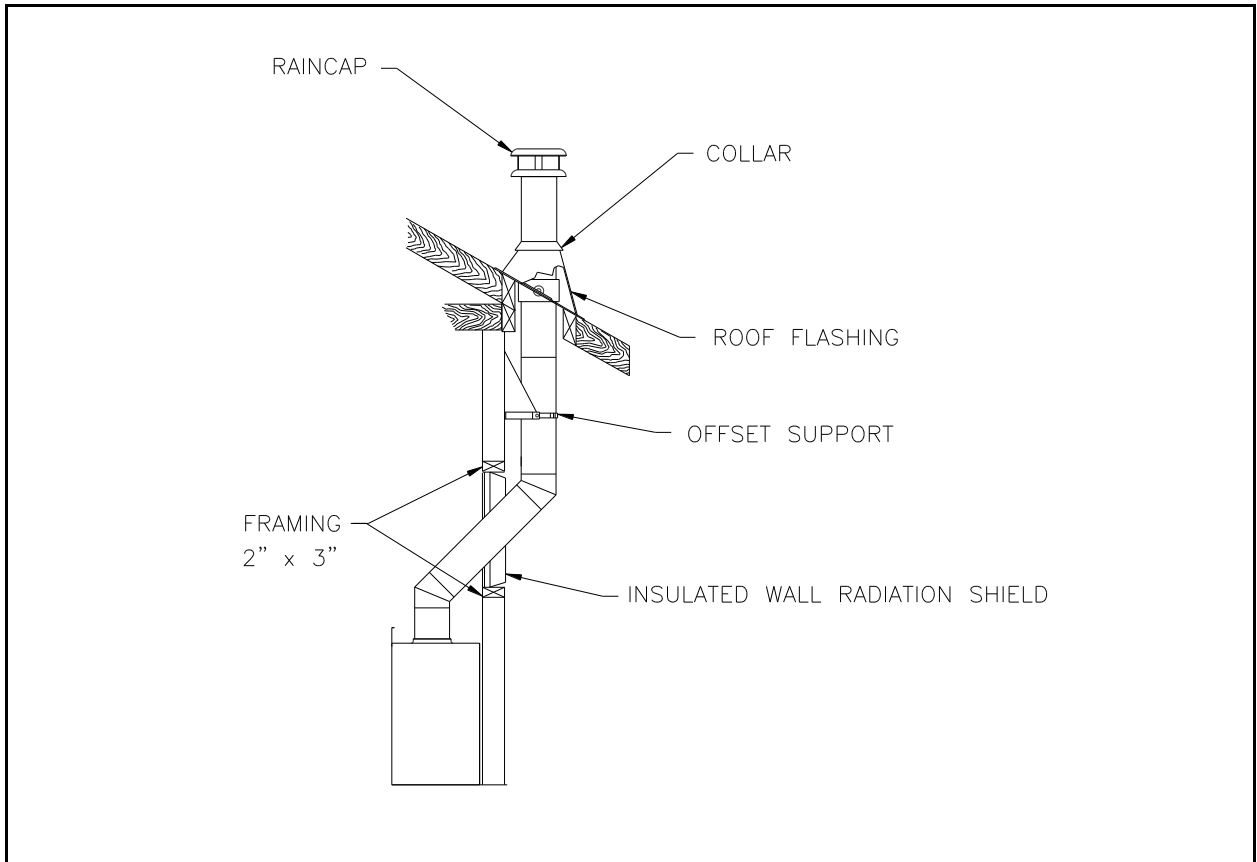


Figure 32

4.4 ANGLED WALL RADIATION SHIELD (RSM+, RSMI30, RSMI45)

When traversing a combustible wall with the chimney at a 30° or 45° angle, an angled firestop or wall radiation shield must be installed. Only one is required.

Note: 45° angle for Canada only

In cold climate locations, we recommend that you use the insulated wall radiation shield since it will maintain the home's thermal barrier.

RSM+ and RSMI30, RSMI45		
CHIMNEY – 7" dia.	ANGLE	HOLE SIZE
Secure Temp ^{ASHT+} Nova Temp ^{HT6103+}	30°	340 mm x 845 mm (13 3/8" x 33 _")
	45° Canada only	340 mm x 591 mm (13 3/8" x 23 _")
Secure Temp ^{S2100+} Nova Temp ^{HT6000+}	30°	380 mm x 972 mm (15" x 38 _")
	45° Canada only	380 mm x 657 mm (15" x 25 7/8")
ACBI	30° only	432 mm x 1080 mm (17" x 42 _")

Table 5

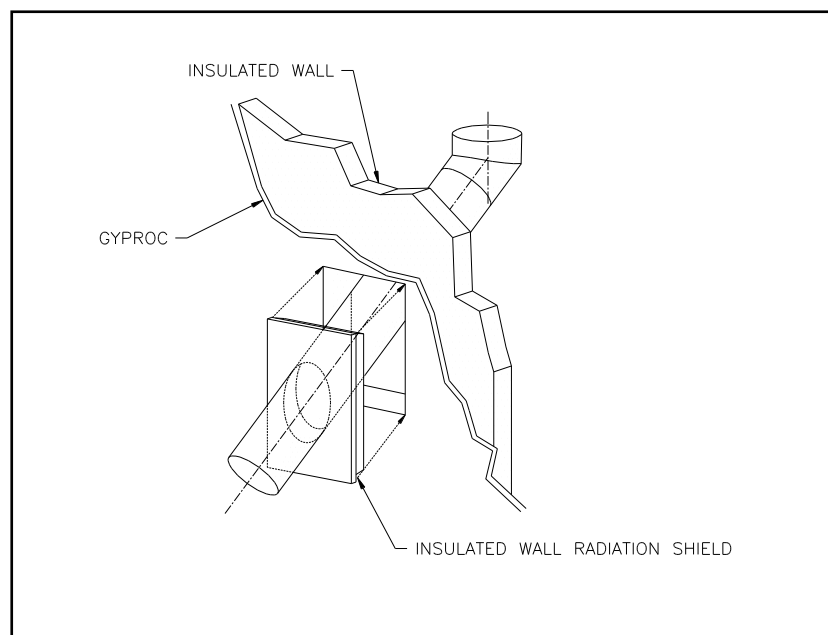


Figure 33

4.5 CHIMNEY SUPPORT INSTALLATION

UNIVERSAL ROOF SUPPORT

This support has three possible uses:

1. For Secure Temp^{ASHT+} / Nova Temp^{HT6103+} and Secure Temp^{S2100+} / Nova Temp^{HT6000+}, it must be used on a roof to support the chimney.
2. It may be used on a floor, ceiling or roof above an offset to support the chimney above the offset.
3. It may be used on a floor, ceiling or roof as a supplementary support when the chimney height exceeds 15 ft. (4.6 m.).

Table 6 gives maximum height of supported chimney.

NOTE: For the ACBI chimney, a support section (ACBI7SL) must be used every 30 ft. (10 m) or the universal support (AC10SU) every 20 ft.

For roof support installation, refer to the instructions provided with the support.

UNIVERSAL OFFSET SUPPORT

This support is used to support the chimney above an offset. When the chimney offset is used to traverse a wall this support may be used on the wall to support the chimney. The maximum heights are given in Table 6. For offset support installation, refer to the instructions provided with the support.

CHIMNEY MODEL	MAXIMUM HEIGHT OF SUPPORTED CHIMNEY	
	OFFSET SUPPORT	ROOF SUPPORT
Secure Temp ^{ASHT+} Nova Temp ^{HT6103+}	24 ft. (8.54m)	27 ft. (8.84 m)
Secure Temp ^{S2100+} Nova Temp ^{HT6000+}	16 ft. (5.49 m)	18 ft. (6.1 m)

Table 6

4.6 CHIMNEY CHASE AND MULTIPLE TERMINATIONS

For the purpose of this manual, a chimney chase is considered a part of the chimney system rather than part of a building. The termination must be placed a minimum of 18" (460 mm) above the chase.

For installations where more than one chimney is located in the same chase or within the same area, we suggest that their terminations be separated by at least 16" (410 mm) horizontally, and 18" (460 mm) vertically. This separation is to prevent smoke migrating from one chimney to another (see figure 34).

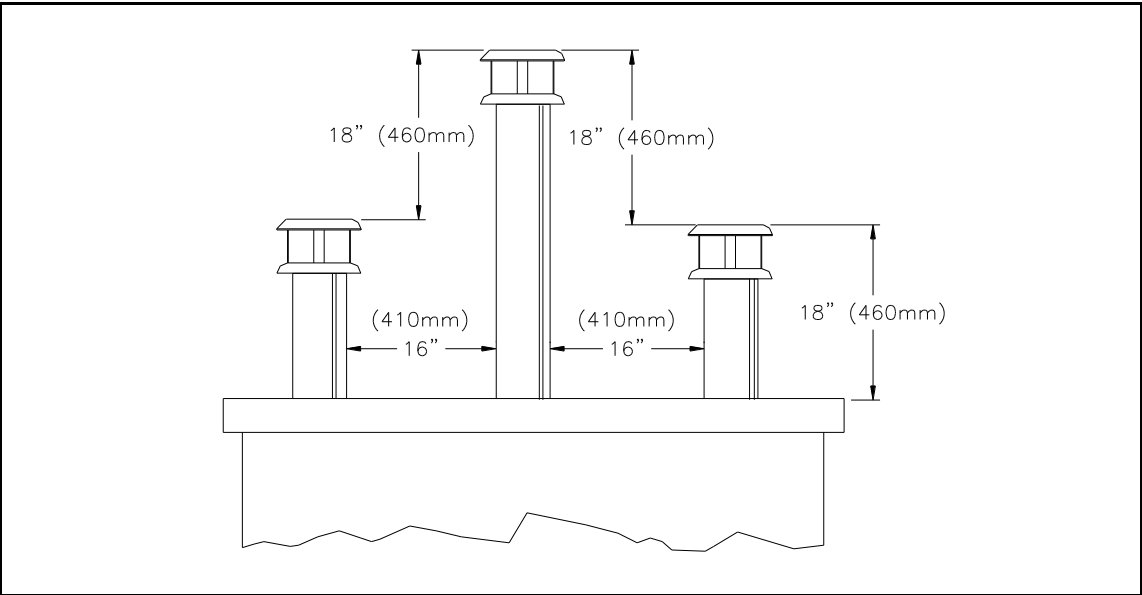


Figure 34

4.7 CHIMNEY ADAPTOR
(Secure Temp^{S2100+} /
Nova Temp^{HT6000+} /

The fireplace is normally supplied with a chimney adaptor suitable for the Secure Temp^{ASHT+} / Nova Temp^{HT6103+} chimney. If you want to install a Secure Temp^{S-2100+} / Nova Temp^{HT6000+} chimney, an adaptor is available (7UCA) (figure 35). A separate starter section will also be required if ACBI chimney is installed.

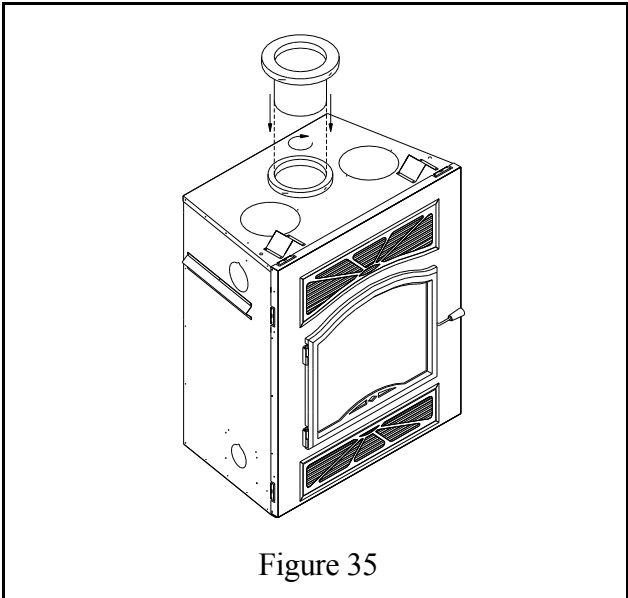


Figure 35

4.8 INSTALLATION INSTRUCTIONS FOR MASONRY APPLICATION

WARNING: Before starting the installation, the masonry chimney must be inspected by a qualified sweep.

The following requirements must be respected:

1. The chimney must be absolutely clear of any soot residue or creosote. Check for cracks, loose or missing bricks that could inhibit correct installation of the liner.
2. The clearance to combustibles must be a minimum of 1" between the outside of the masonry and any wood framing or loose insulation.
3. The chimney must be built in accordance with the current building code.
4. No other appliance can be connected to the same chimney.
5. The clearances to combustibles for the BISUMA or BISPMA and BISUMA30 or BISPMA30 connectors are 2" on the side and bottom and 16" at the top.
6. **The connector parts are not necessary if the connection between the insulated length and the stainless steel liner is done within the masonry chimney.**

Installation:

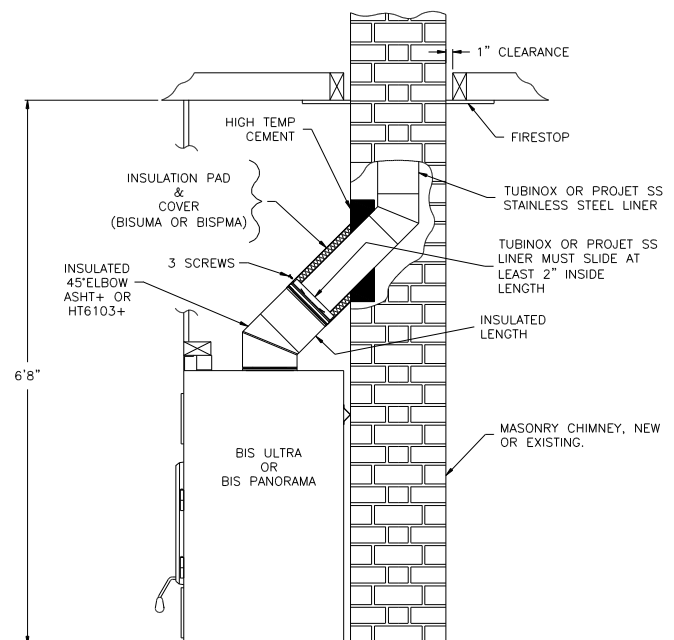
The chimney must be relined with a stainless steel liner model Tubinox or Projet SS of the same diameter as the outlet of the fireplace.

For connection at 45° angles, a special connector (BISUMA for the BIS Ultra fireplace or BISPMA for the BIS Panorama fireplace) must be used to connect the liner to the insulated chimney. For connection at 30°, use the BISUMA30 or BISPMA30 connectors.

Follow these steps:

- 1- Position the fireplace in its location. Temporarily install the ASHT+ elbow on the top of the fireplace and, using a level, mark with an oval the location where the flue liner will enter the masonry chimney.
- 2- In the middle of the oval, drill a hole in the masonry chimney at 45° or 30°.
- 3- Increase the size of the hole until a 45° or 30° Tubinox liner elbow can be easily slipped through.
- 4- Slide the liner down from the top of the masonry chimney until you reach the hole level.
- 5- Slip through the hole a 45° or 30° liner elbow and connect it to the liner.
- 6- Add a small liner section to the liner elbow that will allow the liner to extend at least 12" (measured at the top of the liner) from the masonry chimney.
- 7- Seal the opening around the liner with high temperature refractory cement.
- 8- The next steps must be done in the following order:
 - A. Select the ASHT + length that will fit between the elbow and the liner so that it will slide at least 2" over the liner section. (You may need to cut the liner for a better fit).
 - B. Take that section and the BISUMA or BISPMA (BISUMA30 or BISPMA30) cover and slide it over the liner. Make sure you have enough opening to be able to install the ASHT+ elbow without difficulty.
 - C. Install the 45° or 30° elbow on the fireplace.
 - D. Slide the length section back down on the elbow and twist lock the two together.
 - E. Pull the cover down over the length and install the insulation pad over the liner; be careful to cover the liner completely.
 - F. Slide back the cover over the insulation and fix it in place using the 3 metal screws supplied.

See typical installation illustrated below.



5. PARTS AND COMPONENTS LIST

ACBI Chimney

<u>Description</u>	<u>Part No.</u>
Lengths	7" dia.
12" length	ACBI7L12
18" length	ACBI7L18
36" length	ACBI7L36
48" length	ACBI7L48
15° elbow	ACBI7E15
30° elbow	ACBI7E30
Starter section	ACBI7SBA
Starter section, 30°	ACBI7SBA30
Rain cap	ACBI7CPR
Spark arrester cap	PE+
Supports	
Support section	ACBI7SL
Universal support	AC10SU
Firestop	
Firestop	ACBI7BF
Radiation shield	ACBI7RS
Attic radiation shield	ACBI7RSA
Insulated wall radiation shield 30°	AC10RSMI30
Outside air kit (chimney) (flex, insulation, outside register and coupling)	AC ZI
Flat roof flashing	ACBI7FR
Adjustable Roof Flashings	
1/12 - 7/12 (5° - 30°)	ACBI7FAR
8/12 - 12/12 (30° - 45°)	ACBI7FBR
Storm collar	AC10FC

PARTS AND COMPONENTS LIST

Fireplace

<u>Description:</u>	<u>Part No.</u>
Victorian arch shape door, gold plated 24K	BPVG
Victorian arch shape door, black	BPVBK
DEL SOL louver set	DEL SOL
DIAMANTE louver set	DIAMANTE
FIORI louver set	FIORI
LUNA louver set	LUNA
Outside air kit	UZI

6. OPTIONS (Fireplace)

Description:

Complete double ducting system including: 2 elbows 90°, 2 telescopic lengths, 2 grill supports and 2 black grills

Black grill with support

Brass grill for 7B30ZK

Panel for clean face option

Elbow 90°, 8" dia.

Elbow 45°, 8" dia.

Telescopic length, 8" dia.

Adjustable length, 8" dia. (2" - 5")

Radiation shield

forced air kit including: adaptor and 2 clamps (BISAF), Blower (BISZY), Blower variable speed control (VRUW), Thermo-disk (VTU) and fan to flex adaptor (BISAVF).

Flex adaptor and 2 clamps

Flexible pipe 5" D.I. x 15 ft. Long

Flexible pipe 5" D.I. x 30 ft. Long

Blower for central forced air kit

Blower variable speed control with decorative wall plate for (BISZY)

Thermo-disk, on/off blower control for (BISZY)

Thermostat 24V kit (heating and cooling)

Back draft damper

Adaptor for fan to flexible pipe

Other Options:

Cast-iron corner ornaments with magnets

Cast-iron corner ornaments with magnets

Cast-iron top ornament with magnet

Panel for clean face option

Heat activated on/off pre-wired fan kit

Masonry chimney adaptor

Part No.:

7B30ZK-1

7B30ZO

7B30ZGB

BPCF

7B26ZE90

7B26ZE45

7B26ZLA

7B26ZL2A

7B26ZR

BISFWK-1

BISAF

5FLEX15

5FLEX25

BISZY

VRUW

VTU

HCTW

BISBD

BISAVF

APPC-01

APPCS-02

APP-03

BPCF

UZY3

BISPMA

7. APPENDIX

SPECIFICATIONS

Weight 385 lbs.

Height 45"

Width 38"

Depth 24 1/2"

Chimney weight ASHT+ (7" dia.): 7.8 lbs./ft.

Chimney weight S2100+ (7" dia.): 12 lbs./ft.

CLEARANCE TO COMBUSTIBLES

The following clearances meet the minimum requirements for a safe installation

Side wall: 24" (457 mm) measured from the doors edge

Ceiling: 6' 8" (2032 mm) measured from the base of the fireplace

Fireplace enclosure: Bottom: 0"

Side: 0"

Back: 0"

Top: Do not fill the space above the fireplace with any material

Chimney: 2" (50 mm)

Mantel: 54" (1372 mm) measured from the base of the fireplace or 48" if installed with clean face panel option (BPCF) and gravity kit.

REPLACEMENT PARTS

Front refractory	PR-SR2113
Back refractory	PR-SR2056
Right side refractory	PR-SR2057D
Left side refractory	PR-SR2057G
Bottom refractory	PR-SR2055
Catalytic combustor	PR-SR2110
Catalytic combustor stainless steel casing	PR-SR2111
Catalyst air tube (front)	PR-SR2053
Secondary air tube (rear)	PR-SR2051
Cast-iron log supports (2)	7B30B2CH
Louver frame (top)	PR-SR2131
Louver frame (bottom)	PR-SR2130
Ash tray cap	PR-SR7B30B2CF01
Ash tray kit	PR-B2GA1
Ash tray	PR-BISUZH
Fireplace top	PR-SR2432
Fireplace left side	PR-SR2435
Fireplace right side	PR-SR2434
Fireplace back	PR-SR2436
Touch up paint (Forrest Paint Metallic Black)	SBMB6309
Wooden handle door	PR-SR1787
Wooden handle by-pass	PR-SR2072
Rod and lock	PR-SR2118
Ceramic glass panel: (Victorian door)	PR-SR2107
Glass gasket	PR-SR1823E
Door gasket	PR-SR1823D
Hinges set (door and fireplace)	PR-SR2395P
Top louver	PR-SR2143DELSOL PR-SR2143DIAMANTE PR-SR2143FIORI PR-SR2143LUNA PR-SR2143STRADA
Bottom louver	PR-SR2144DELSOL PR-SR2144DIAMANTE PR-SR2144FIORI PR-SR2144LUNA PR-SR2144STRADA