

# No Utility Bills Inc.

[www.noutilitybills.com](http://www.noutilitybills.com)

Tel: (780)628-4835

#301 Lyall Subdivision, County of Athabasca, AB, Canada

VIEWINGS BY APPOINTMENT ONLY!

List Price From	
Sale Price From	
Prices are subject to change without notice! 071908	

## Supreme Plus EPA Wood Fireplace

### The Plus EPA approved non-catalytic fireplace.

Large functional door, offering a very large and high viewing area. Functional integrated ash pan. Comes with blower kit. This fireplace comes completely assembled with a patented automatic air control, giving customers a user-friendly fireplace that they will enjoy for a lifetime.

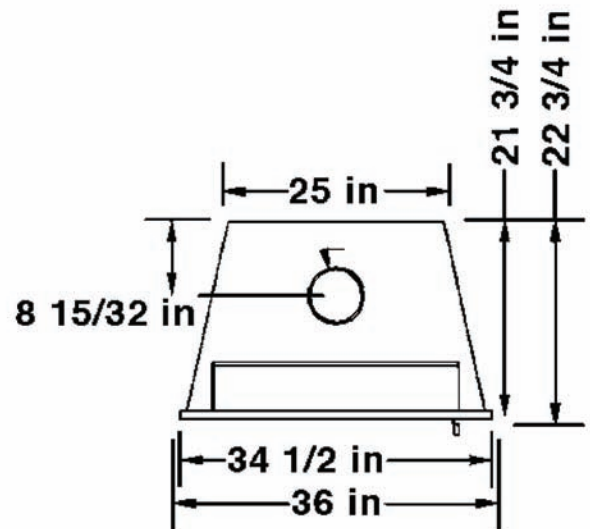


# SUPREME

### Options:

- Fireplace available in optional charcoal
- Moldings available in brushed Stainless Steel
- Doors available in gold and brushed nickel
- Decorative corners, in sets of two, come in black, antique brass or charcoal
- Hot Air Duct Kit

Fuel	Wood
Estimated Btu Output	100,000
Heating Capacity	Up To 2,500 sq.ft.
Burn Rate	.84 kg/hr
Firebox Volume	Large 3.0 cu.ft.
Log Length (Max)	20 inches
Weight	230 lbs
Width	36 inches
Depth	21-3/4 inches
Height	40 inches
Flue Size	6 inches
Outside Air Size	4 inches
EPA Emissions	5.4 Grams per hour
Hearth Requirements	N.C. 18"D x 43"W
*Min Mantel Height	6" w @ 50" Up
*Minimum Chimney	15 Feet @ Sea Level
Testing	EPA, ULC-S610& UL-127





# No Utility Bills Inc.

[www.noutilitybills.com](http://www.noutilitybills.com)

Tel: (780)628-4835

#301 Lyall Subdivision, County of Athabasca, AB, Canada

VIEWINGS BY APPOINTMENT ONLY!

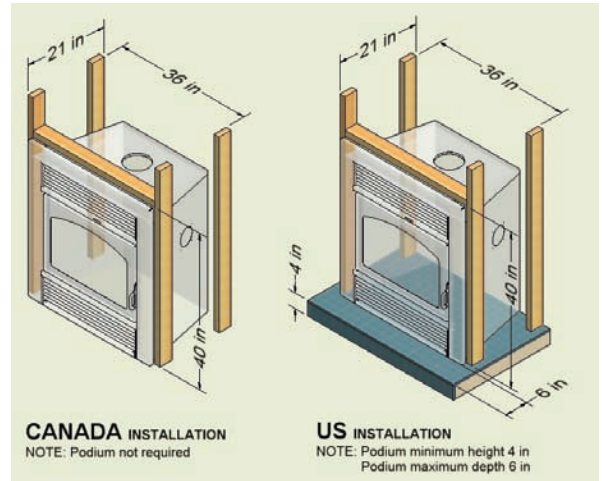


## Supreme Plus EPA Wood Fireplace

### FEATURES:

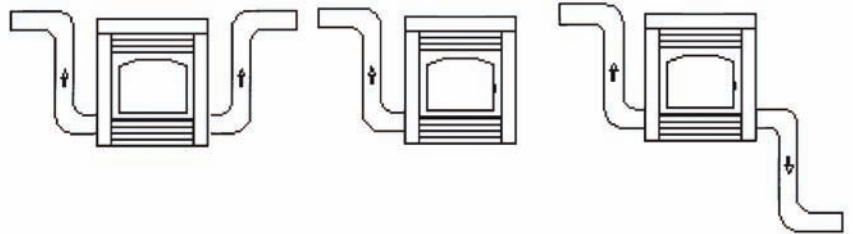
- Stainless steel combustion chamber
- No refractory bricks, allowing a quicker and better heat transfer
- Combustion is controlled by a patented automatic air control
- Large pyroceramic glass door
- Completely assembled
- Integrated ashtray
- Heat-activated fan with speed control (125 CFM)
- Can be installed inside a masonry chimney with a stainless steel liner
- Fireplace available in black or charcoal
- Powder coated finish
- Limited lifetime warranty

(please ask your dealer for more details)

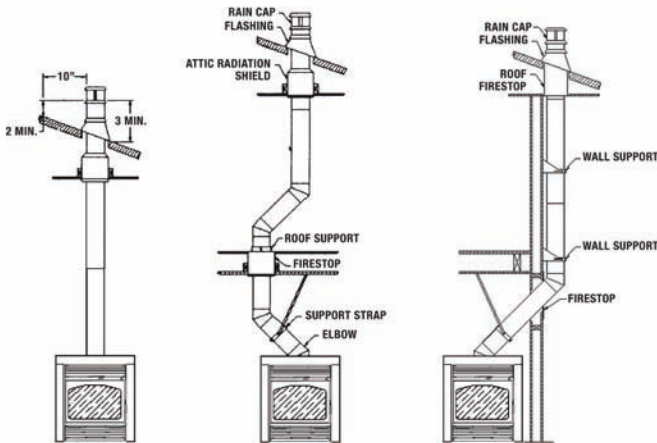


### Ducting Options

The Plus can accept up to two hot air ducts to heat rooms as far as 30 feet away. This option is ideal for sending warm air to the basement.



### Chimney Options



The Plus can be used with the following chimneys:

- Super Pro (model SPR or ALT), 6"
- Supervent (model JSC or JM), 6"
- Selkirk (model Ultra Temp or CF Sentinel), 6"
- Security Chimneys (model Secure Temp ASHT or S-2100), 6"
- Oliver MacLeod (model HT 6000), 6"
- ICC (model Excel 2100-2), 6"
- Simpson Dura-Vent (model Duratech HT or Duraplus HTC), 6"
- Metal Fab (model Temp Gard, class A), 6"
- American Metal (model Ameritec HS or HSS), 6"