



www.regency-fire.com

Freestanding Woodstove

Owners &
Installation Manual



MODELS: F2400M S2400M

Tested by:



Installer: Please complete the details on the back cover
and leave this manual with the homeowner.

Homeowner: Please keep these instructions for future reference.

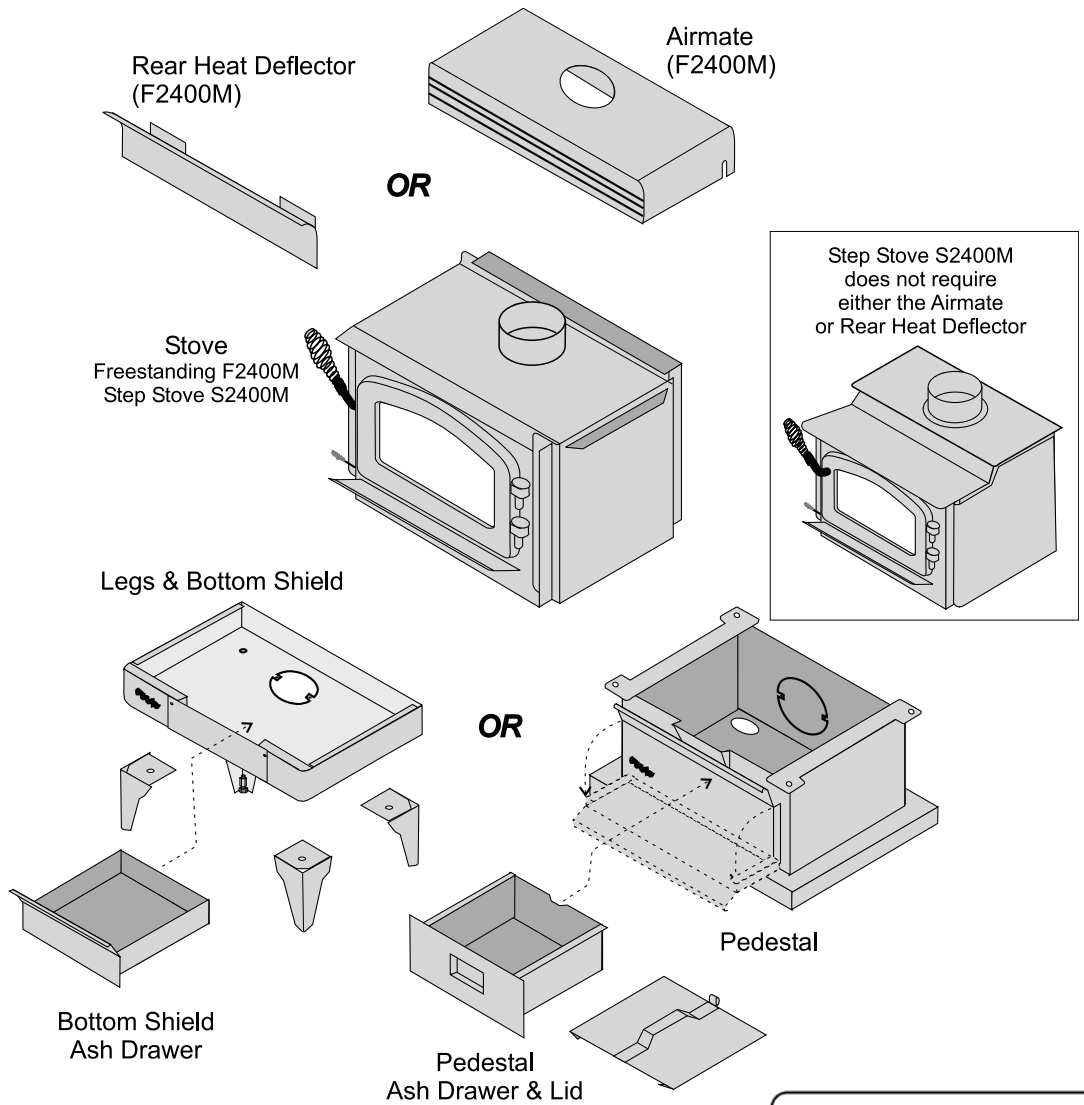
Thank-you for purchasing a
REGENCY FIREPLACE PRODUCT.

The pride of workmanship that goes into each of our products will give you years of trouble-free enjoyment. Should you have any questions about your product that are not covered in this manual, please contact the **REGENCY DEALER** in your area.

Keep those **REGENCY FIRES** burning.

SAFETY NOTE: If this woodstove is not properly installed, a house fire may result. For your safety, follow the installation instructions, contact local building, fire officials, or authority having jurisdiction about restrictions and installation inspection requirements in your area.

The authority having jurisdiction should be consulted before installation to determine the need to obtain a permit.



Modular Parts

NATIONAL FIREPLACE INSTITUTE
NFI
CERTIFIED
www.nficertified.org

We recommend that our products be installed and serviced by professionals who are certified in the U.S. by the National Fireplace Institute® (NFI) or in Canada by Wood Energy Technical Training (WETT).

Wood Energy Technical Training
www.wett.org

TABLE OF CONTENTS

THE REGENCY FREESTANDING WOOD STOVE

SAFETY LABEL

Safety Label for F2400m	4
Safety Label for S2400M	5

INSTALLATION

Unit Dimensions	6
Residential Installation	7
Modular Installation Options	7
Room Air	8
Important	8
Minimum Clearance To Combustible Materials	8
Stove Assembly Prior To Installation	10
Step-by-step Chimney And Connector Installation	11
Masonry Chimney	12
Masonry Fireplace	12
Factory Built Chimney	12
Combustible Wall Chimney Connector Pass-throughs	13
Recommended Heights For Woodstove Flue	14
Mobile Home Installation	15
Listed Components For Mobile Home Installation	16
Flue Baffle & Secondary Air Tube Installation	16
Brick Installation	17
Door Handle	17
Glass Installation	17
Step-by-step Optional Accessories Installation	17
Screen Door	17

OPERATING INSTRUCTIONS

Operating Instructions	19
Draft Control	19
First Fire	19
Fan Operation	20
Ash Disposal	20
Safety Guidelines and Warnings	20

MAINTENANCE

Maintenance	21
Creosote	21
Maintenance Of Gold-plated Doors	21
Latch Adjustment	21
Door Gasket	21
Glass Maintenance	21
Wood Storage	21

PARTS LIST

F2400m Stove Main Assembly	22
S2400m Step Stove Main Assembly	23
Pedestal, Bottom Shield & Leg Options	24
Firebrick	25

WARRANTY

SAFETY LABEL

This is a copy of the label that accompanies each Regency Freestanding Woodstove (F2400M). We have printed a copy of the contents here for your review.

NOTE: Regency units are constantly being improved. Check the label on the unit and if there is a difference, the label on the unit is the correct one.

SAFETY LABEL FOR F2400M

244

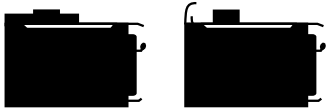


LISTED SPACE HEATER, SOLID FUEL TYPE, ALSO SUITABLE FOR MOBILE HOME INSTALLATION

DO NOT REMOVE THIS LABEL

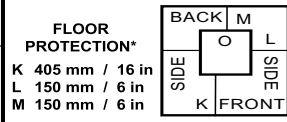
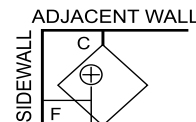
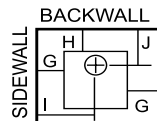
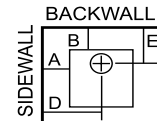
244

MODEL: REGENCY MEDIUM FREESTANDING STOVE - F2400M
 TESTED TO: UL1482 / ULC S627 / UL 737 REPORT NO:219-S-02-2
 THE F2400M MEETS UL737 STANDARD FOR FIREPLACE STOVES WHEN A FIRESCREEN IS PROVIDED.



F2400M WITH AIRMATE SHIELD F2400M WITHOUT AIRMATE SHIELD

INSTALL AND USE ONLY IN ACCORDANCE WITH THE MANUFACTURER'S INSTALLATION AND OPERATING INSTRUCTIONS. CONTACT LOCAL BUILDING OR FIRE OFFICIALS ABOUT RESTRICTIONS AND INSTALLATION INSPECTION IN YOUR AREA. USE 150 MM (6 IN.) DIAMETER MINIMUM 24 MSG BLACK OR 26 MSG BLUE STEEL CONNECTOR WITH LISTED UL103 HT FACTORY-BUILT CHIMNEY SUITABLE FOR USE WITH SOLID FUELS OR MASONRY CHIMNEY. SEE LOCAL BUILDING CODE AND MANUFACTURER'S INSTRUCTIONS FOR PRECAUTIONS REQUIRED FOR PASSING A CHIMNEY THROUGH A COMBUSTIBLE WALL OR CEILING. DO NOT PASS CHIMNEY CONNECTOR THROUGH COMBUSTIBLE WALL OR CEILING. DO NOT CONNECT THIS UNIT TO A CHIMNEY FLUE SERVING ANOTHER APPLIANCE.



* In Canada, floor protection must extend 18" (450mm) to the front and 8" (200mm) to each side and back of the stove.

MINIMUM CLEARANCES TO COMBUSTIBLE MATERIALS					
F2400M WITH AIRMATE SHIELD			F2400M WITHOUT AIRMATE SHIELD		
MEASURE FROM	HEATER	FLUE CENTER-LINE	MEASURE FROM	HEATER	FLUE CENTER-LINE
RESIDENTIAL INSTALLATION USING SINGLE WALL CONNECTOR					
SIDEWALL	A 406 mm / 16 in	D 711 mm / 28 in	SIDEWALL	A 457 mm / 18 in	D 762 mm / 30 in
BACKWALL	B 280 mm / 11 in	E 444 mm / 17.5 in	BACKWALL	B 305 mm / 12 in	E 470 mm / 18.5 in
CORNER	C 152 mm / 6 in	F 444 mm / 17.5 in	CORNER	C 165 mm / 6.5 in	F 457 mm / 18 in
INSTALLATION USING LISTED DOUBLE WALL CONNECTOR - MOBILE HOME					
SIDEWALL	A 380 mm / 15 in	D 685 mm / 27 in	SIDEWALL	A 380 mm / 15 in	D 685 mm / 27 in
BACKWALL	B 140 mm / 5.5 in	E 304 mm / 12 in	BACKWALL	B 165 mm / 6.5 in	E 330 mm / 13 in
CORNER	C 102 mm / 4 in	F 393 mm / 15.5 in	CORNER	C 152 mm / 6 in	F 444 mm / 17.5 in
INSTALLATION USING LISTED DOUBLE WALL CONNECTOR - RESIDENTIAL CLOSE CLEARANCE					
SIDEWALL	A 380 mm / 15 in	D 685 mm / 27 in	SIDEWALL	A 380 mm / 15 in	D 685 mm / 27 in
BACKWALL	B 140 mm / 5.5 in	E 304 mm / 12 in	BACKWALL	B 165 mm / 6.5 in	E 330 mm / 13 in
CORNER	C 102 mm / 4 in	F 393 mm / 15.5 in	CORNER	C 152 mm / 6 in	F 444 mm / 17.5 in
INSTALLATION USING LISTED DOUBLE WALL CONNECTOR - ALCOVE					
SIDEWALL	G 380 mm / 15 in	I 685 mm / 27 in	SIDEWALL	G 380 mm / 15 in	I 685 mm / 27 in
BACKWALL	H 140 mm / 5.5 in	J 304 mm / 12 in	BACKWALL	H 165 mm / 6.5 in	J 330 mm / 13 in

MINIMUM ALCOVE CEILING HEIGHT: 2.15 M / 7 FT MAXIMUM ALCOVE DEPTH 915 MM / 36 IN.

MINIMUM CLEARANCES FOR HORIZONTAL CONNECTOR TO CEILING: 455 MM / 18"

THE SPACE BENEATH THE HEATER MUST NOT BE OBSTRUCTED. OPERATE ONLY WITH FIREBRICKS IN PLACE.

FOR USE WITH SOLID WOOD FUEL ONLY. USE OF OTHER FUELS MAY DAMAGE HEATER AND CREATE A HAZARDOUS CONDITION. DO NOT OBSTRUCT COMBUSTION AIR OPENINGS. OPERATE ONLY WITH FIREBRICKS IN PLACE. RISK OF SMOKE AND FLAME SPILLAGE. OPERATE ONLY WITH DOORS FULLY OPEN OR FULLY CLOSED. IF INSTALLED IN A MOBILE HOME OPERATE ONLY WITH DOORS FULLY CLOSED - OPEN FEED DOOR TO FEED FIRE ONLY. WHEN OPERATED WITH DOORS OPEN THE MANUFACTURER SUPPLIED SCREEN MUST BE USED. DO NOT USE GRATE OR ELEVATE FIRE. BUILD WOOD FIRE DIRECTLY ON HEARTH. DO NOT OVERFIRE - IF HEATER OR CHIMNEY CONNECTOR CLOWS YOU ARE OVERFIRING. INSPECT AND CLEAN CHIMNEY AND CONNECTOR FREQUENTLY. UNDER CERTAIN CONDITIONS OF USE CREOSOTE BUILDUP MAY OCCUR RAPIDLY. KEEP FURNISHINGS AND OTHER COMBUSTIBLE MATERIAL AWAY FROM HEATER. REPLACE GLASS ONLY WITH NECCERAM GLASS. COMBUSTIBLE FLOOR MUST BE PROTECTED BY NON-COMBUSTIBLE MATERIAL EXTENDING BENEATH THE HEATER AND TO THE FRONT AND SIDES AS INDICATED OR TO THE NEAREST PERMITTED COMBUSTIBLE MATERIAL.

OPTIONAL COMPONENT: FAN (846-515), ELECTRICAL RATING: VOLTS 115, 60 HZ, 2 AMPS. SCREEN DOOR (846-101)

DANGER: RISK OF ELECTRIC SHOCK. DISCONNECT POWER BEFORE SERVICING UNIT. DO NOT ROUTE POWER CORD UNDER OR IN FRONT OF APPLIANCE.

COMPONENTS REQUIRED FOR MOBILE HOME INSTALLATION: OUTSIDE AIR KIT AND ONE OF THE FOLLOWING DOUBLE WALL CONNECTOR

IN CANADA: LISTED SECURITY MODEL DP, OR OLIVER MACLEOD PRO-VENT PV DOUBLE WALLED CONNECTOR WITH LISTED CHIMNEY SYSTEM: SECURITY MODEL S2100, ICC EXCEL 2100, SELKIRK SENTINAL CF.

IN USA: LISTED DOUBLE WALL CONNECTORS SECURITY MODEL DP, SELKIRK MODEL DS, OLIVER MACLEOD PRO VENT PV, SIMPSON DURA VENT MODEL DVL, GSW SUPER PIPE 6, METAL-FAB DOUBLE WALL. CONNECTED TO ONE OF THE FOLLOWING COMPATIBLE CHIMNEY SYSTEMS SECURITY MODEL S2100 OR MODEL ASHT, SELKIRK MODEL SSII, OLIVER MACLEOD PRO JET 3103, SIMPSON DURA PLUS, GSW MODEL SC OR METAL-FAB TEMP/GUARD, AMERI-TEC HS, ICC EXCEL 2100. USE CHIMNEY COMPONENTS AS SPECIFIED IN INSTALLATION INSTRUCTIONS.



MANUFACTURED BY: FPI FIREPLACE PRODUCTS INTERNATIONAL LTD.
 6988 VENTURE ST.
 DELTA, BC V4G 1H4

MADE IN CANADA

UNITED STATES ENVIRONMENTAL PROTECTION AGENCY

CERTIFIED TO COMPLY WITH JULY 1990 PARTICULATE EMISSION STANDARDS.



CAUTION

HOT WHILE IN OPERATION DO NOT TOUCH. KEEP CHILDREN, CLOTHING AND FURNITURE AWAY. CONTACT MAY CAUSE SKIN BURNS. READ NAMEPLATE AND INSTRUCTIONS.

918-172b
 rev. 10/05

DATE OF MANUFACTURE

2005 2006 2007 JAN FEB MAR APR MAY JUN JUL AUG SEPT OCT NOV DEC

SAFETY LABEL

This is a copy of the label that accompanies each Regency Medium Freestanding Step Stove (S2400M). We have printed a copy of the contents here for your review.

NOTE: Regency units are constantly being improved. Check the label on the unit and if there is a difference, the label on the unit is the correct one.

SAFETY LABEL FOR S2400M



LISTED SPACE HEATER, SOLID FUEL TYPE, ALSO SUITABLE FOR MOBILE HOME INSTALLATION

DO NOT REMOVE THIS LABEL

245

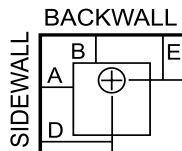
MODEL: REGENCY MEDIUM FREESTANDING STEP STOVE - S2400M
TESTED TO: UL1482 / ULC S627 / UL 737 REPORT NO: 219-S-02-2
THE S2400M MEETS UL737 STANDARD FOR FIREPLACE STOVES WHEN A FIRESCREEN IS PROVIDED.



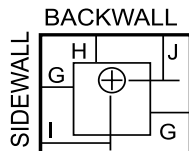
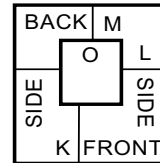
S2400M

INSTALL AND USE ONLY IN ACCORDANCE WITH THE MANUFACTURER'S INSTALLATION AND OPERATING INSTRUCTIONS. CONTACT LOCAL BUILDING OR FIRE OFFICIALS ABOUT RESTRICTIONS AND INSTALLATION INSPECTION IN YOUR AREA. USE 150 MM (6 IN.) DIAMETER MINIMUM 24 MSG BLACK OR 26 MSG BLUE STEEL CONNECTOR WITH LISTED UL103 HT FACTORY-BUILT CHIMNEY SUITABLE FOR USE WITH SOLID FUELS OR MASONRY CHIMNEY. SEE LOCAL BUILDING CODE AND MANUFACTURER'S INSTRUCTIONS FOR PRECAUTIONS REQUIRED FOR PASSING A CHIMNEY THROUGH A COMBUSTIBLE WALL OR CEILING. DO NOT PASS CHIMNEY CONNECTOR THROUGH COMBUSTIBLE WALL OR CEILING. DO NOT CONNECT THIS UNIT TO A CHIMNEY FLUE SERVING ANOTHER APPLIANCE.

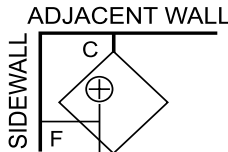
S2400M MINIMUM CLEARANCES TO COMBUSTIBLE MATERIALS			
MEASURE FROM	HEATER	FLUE CENTER-LINE	
RESIDENTIAL INSTALLATION USING SINGLE WALL CONNECTOR			
SIDEWALL	A 406 mm / 16 in	D 711 mm / 28 in	
BACKWALL	B 280 mm / 11 in	E 444 mm / 17.5 in	
CORNER	C 152 mm / 6 in	F 444 mm / 17.5 in	
INSTALLATION USING LISTED DOUBLE WALL CONNECTOR - MOBILE HOME			
SIDEWALL	A 380 mm / 15 in	D 685 mm / 27 in	
BACKWALL	B 140 mm / 5.5 in	E 304 mm / 12 in	
CORNER	C 102 mm / 4 in	F 393 mm / 15.5 in	
INSTALLATION USING LISTED DOUBLE WALL CONNECTOR - RESIDENTIAL CLOSE CLEARANCE			
SIDEWALL	A 380 mm / 15 in	D 685 mm / 27 in	
BACKWALL	B 140 mm / 5.5 in	E 304 mm / 12 in	
CORNER	C 102 mm / 4 in	F 393 mm / 15.5 in	
INSTALLATION USING LISTED DOUBLE WALL CONNECTOR - ALCOVE			
SIDEWALL	G 380 mm / 15 in	I 685 mm / 27 in	
BACKWALL	H 140 mm / 5.5 in	J 304 mm / 12 in	



FLOOR PROTECTION*
K 405 mm / 16 in
L 150 mm / 6 in
M 150 mm / 6 in



*In Canada, floor protection must extend 18" (450mm) to the front and 8" (200mm) to each side and back of the stove.



MINIMUM ALCOVE CEILING HEIGHT: 2.15 M / 7 FT MAXIMUM ALCOVE DEPTH 915 MM / 36 IN.

MINIMUM CLEARANCES FOR HORIZONTAL CONNECTOR TO CEILING: 455 MM / 18"

THE SPACE BENEATH THE HEATER MUST NOT BE OBSTRUCTED. OPERATE ONLY WITH FIREBRICKS IN PLACE.

FOR USE WITH SOLID WOOD FUEL ONLY. USE OF OTHER FUELS MAY DAMAGE HEATER AND CREATE A HAZARDOUS CONDITION. DO NOT OBSTRUCT COMBUSTION AIR OPENINGS. OPERATE ONLY WITH FIREBRICKS IN PLACE. RISK OF SMOKE AND FLAME SPILLAGE, OPERATE ONLY WITH DOORS FULLY OPEN OR FULLY CLOSED.

IF INSTALLED IN A MOBILE HOME OPERATE ONLY WITH DOORS FULLY CLOSED - OPEN FEED DOOR TO FEED FIRE ONLY. WHEN OPERATED WITH DOORS OPEN THE MANUFACTURER SUPPLIED SCREEN MUST BE USED. DO NOT USE GRATE OR ELEVATE FIRE. BUILD WOOD FIRE DIRECTLY ON HEARTH. DO NOT OVERFIRE - IF HEATER OR CHIMNEY CONNECTOR GLOWS YOU ARE OVERFIRING. INSPECT AND CLEAN CHIMNEY AND CONNECTOR FREQUENTLY. UNDER CERTAIN CONDITIONS OF USE CREOSOTE BUILDUP MAY OCCUR RAPIDLY. KEEP FURNISHINGS AND OTHER COMBUSTIBLE MATERIAL AWAY FROM HEATER. REPLACE GLASS ONLY WITH NECOCERAM GLASS. COMBUSTIBLE FLOOR MUST BE PROTECTED BY NON-COMBUSTIBLE MATERIAL EXTENDING BENEATH THE HEATER AND TO THE FRONT AND SIDES AS INDICATED OR TO THE NEAREST PERMITTED COMBUSTIBLE MATERIAL.

OPTIONAL COMPONENT: FAN (846-515), ELECTRICAL RATING: VOLTS 115, 60 HZ, 2 AMPS, SCREEN DOOR (846-101)

DANGER: RISK OF ELECTRIC SHOCK. DISCONNECT POWER BEFORE SERVICING UNIT.

DO NOT ROUTE POWER CORD UNDER OR IN FRONT OF APPLIANCE.

COMPONENTS REQUIRED FOR MOBILE HOME INSTALLATION: OUTSIDE AIR KIT AND ONE OF THE FOLLOWING DOUBLE WALL CONNECTOR

IN CANADA: LISTED SECURITY MODEL DP, OR OLIVER MACLEOD PRO-VENT PV DOUBLE WALLED CONNECTOR WITH LISTED CHIMNEY SYSTEM: SECURITY MODEL S2100, ICC EXCEL 2100, SELKIRK SENTINAL CF.

IN USA: LISTED DOUBLE WALL CONNECTORS SECURITY MODEL DP, SELKIRK MODEL DS, OLIVER MACLEOD PRO VENT PV, SIMPSON DURA VENT MODEL DVL, GSW SUPER PIPE 6, METAL-FAB DOUBLE WALL. CONNECTED TO ONE OF THE FOLLOWING COMPATIBLE CHIMNEY SYSTEMS SECURITY MODEL S2100 OR MODEL ASHT, SELKIRK MODEL SSII, OLIVER MACLEOD PRO JET 3103, SIMPSON DURA PLUS, GSW MODEL SC OR METAL-FAB TEMP/GUARD, AMERI-TEC HS, ICC EXCEL 2100. USE CHIMNEY COMPONENTS AS SPECIFIED IN INSTALLATION INSTRUCTIONS.



MANUFACTURED BY: FPI FIREPLACE PRODUCTS INTERNATIONAL LTD.
6988 VENTURE ST.
DELTA, BC V4G 1H4

MADE IN CANADA

UNITED STATES ENVIRONMENTAL PROTECTION AGENCY

CERTIFIED TO COMPLY WITH JULY 1990 PARTICULATE EMISSION STANDARDS.



CAUTION

HOT WHILE IN OPERATION DO NOT TOUCH. KEEP CHILDREN, CLOTHING AND FURNITURE AWAY. CONTACT MAY CAUSE SKIN BURNS. READ NAMEPLATE AND INSTRUCTIONS.

918-203b
rev. 11/05

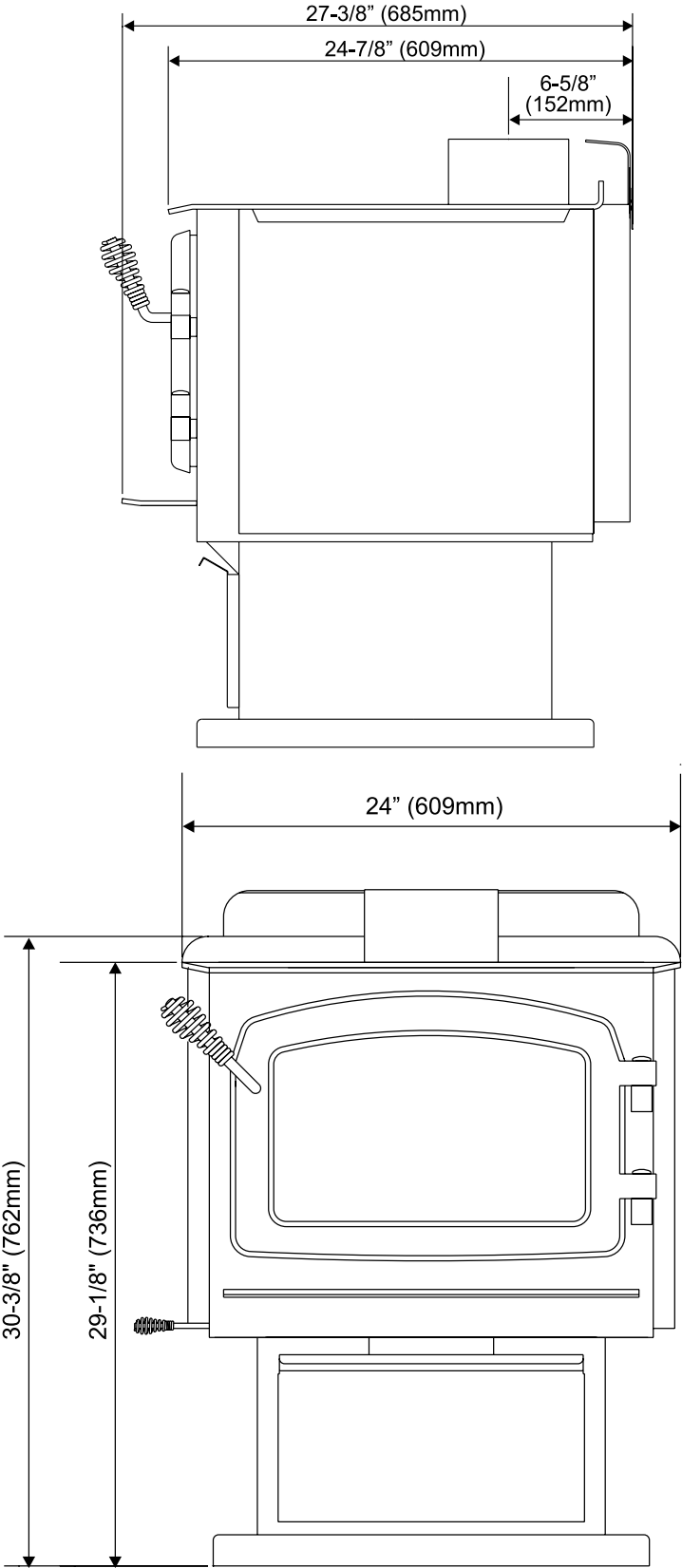
DATE OF MANUFACTURE

JAN FEB MAR APR MAY JUN JUL AUG SEPT OCT NOV DEC

2005 2006 2007

INSTALLATION

UNIT DIMENSIONS



RESIDENTIAL INSTALLATION

- 1) Please read this entire manual before you install and use your new woodstove. Failure to follow instructions may result in property damage, bodily injury or even death. Be aware that local Codes and Regulations may override some items in this manual. Check with your local inspector.
- 2) Select a position for your Regency Stove. Consult the minimum clearance chart for your model and set the stove in place. For close clearance installation use listed double wall connector systems.
- 3) To insure vertical alignment, suspend a plumb bob from the ceiling over the exact center of your stove flue and mark a spot on the ceiling to indicate the center of the chimney.
- 4) Check that the area above the ceiling is clear for cutting. Re-confirm the clearance from the stove to combustibles to insure that they are within the prescribed limits.
- 5) This woodstove must be connected to a UL 103 HT (ULC S629) listed chimney or a code approved masonry chimney with a flue liner.
- 6) Install chimney according to chimney manufacturers instructions. The performance of your woodstove is governed to a very large part by the chimney system. Too short a chimney can cause difficult start-up, dirty glass, back smoking when door is open, and

even reduced heat output. Too tall a chimney may prompt excessive draft which can result in very short burn times and excessive heat output. The use of an inexpensive flue pipe damper may be helpful in reducing excessive draft.

CAUTION: The chimney should be the same size as the 6" flue outlet on the stove. The chimney must be listed as suitable for use with solid fuels. For other types of chimneys check with your local building code officials. Do not confuse a chimney with a type "B" Venting System used for gas appliances as suitable for a wood burning appliance. For Mobile Home installations refer to that section within this manual.

- 7) Mark the location of the pedestal base or legs on the floor, then move the stove aside and mark the position of the floor protector.
- 8) The floor protector must be of non-combustible material and must extend 16" (406mm) in front of the door opening and 6" (152mm) to the sides and rear of the unit. Some areas may require a larger size floor protector. See your local inspector. For outside air installation refer to Mobile Home installation instructions within this manual.
- 9) When the floor protection is complete, position the stove with the flue collar centered under the installed chimney.

NOTE: In Canada, floor protection must extend 18" (450mm) to the front and 8" (200mm) to each side and back of the stove.

10) In seismically active areas, Regency recommends that your unit is secured to the floor by using the bolt down holes inside the pedestal (the same ones used in Mobile Home installations).

11) For residential installations using 6" "C" Vent (single wall) the chimney connector must be at least 24 gauge steel. Do not use galvanized pipe. For Mobile Home installation refer to the Mobile Home installation instructions within this manual.

12) Do not connect this unit to a chimney serving another appliance.

13) A chimney connector cannot pass through an attic or roof space, closet or similar concealed space, or a floor, ceiling, wall or partition of combustible construction. In Canada, if passage through a wall, or partition of combustible construction is desired, the installation shall conform to CAN/CSA-B365, Installation Code for Solid-Fuel-Burning Appliances and Equipment.

14) Your Regency Woodstove is not to be connected to any air distribution duct.

Emissions from burning wood or gas could contain chemicals known to the State of California to cause cancer, birth defects or other reproductive harm.

MODULAR INSTALLATION OPTIONS

The following items are required when assembling your Regency Stove. F2400M unit - the Rear Heat Deflector is supplied with the stove, but if you choose not to use it you must use the Airmate instead.

Modular Part	Things to consider when choosing options:
F2400M Airmate OR Rear Heat Deflector	Clearances are different. See the Minimum Clearance to Combustible Materials chart in the Installation section of this manual. Generally you can get closer clearances with the airmate than with the rear heat deflector.
	Convection heat with Airmate vs. Radiant Heat with Rear Heat Deflector. The airmate pushes heat forward and into the room, the rear heat deflector deflects the heat upward. Refer to the Installation section within this manual.
F2400M, S2400M Pedestal OR Legs	There are no performance differences with either the pedestal or legs. It is primarily a personal preference. Legs can be either painted steel, painted cast, or gold plated cast.
	Leg installation requires the bottom shield (refer to Leg and Bottom Shield Assembly, Installation section).

OPTIONS: These can be installed at time of installation or added later:

Modular Option	Things to consider when choosing options
Blower/Fan	Adding the blower will increase the area heated by the stove, it can move warm air beyond the room where the stove is installed (refer to Blower/Fan, Installation section).
Ash Drawer Kit	Adding the Ash Drawer Kit makes cleaning ashes out of the stove easier and cleaner (refer to Bottom Shield Ash Drawer Kit, Installation section).
Screen Door	A simple add-on option that will allow you to enjoy the sound, warmth and view of an open fire.

INSTALLATION

ROOM AIR IMPORTANT

For installation using room air for combustion, remove knockout from the pedestal, and/or from the bottom if using a heat shield.

Mobile home installations require the use of outside air.

On pedestal units there are two locations where outside air may be adapted to the unit. If using the bottom of the pedestal, do not remove knockout from the rear of the pedestal. Only remove rear knockout if outside air will be brought in from the rear.

On leg units outside air can only be brought in from the bottom of the heat shield.

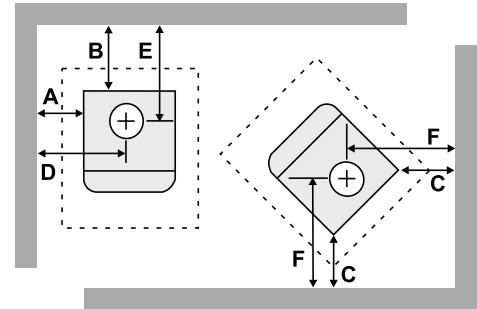
Note: Once the knockout is removed there are two tabs remaining. Bend both tabs out for ease of installation when attaching outside air.

MINIMUM CLEARANCE TO COMBUSTIBLE MATERIALS

Please read the section below carefully as clearances depend on whether the airmate or the rear heat deflector is installed on the stove.

Measurements "From Unit" are from the top plate of the stove to a side wall or to a corner, and from the rear heat shield to a back wall.

Clearances may only be reduced by means approved by the regulatory authority.



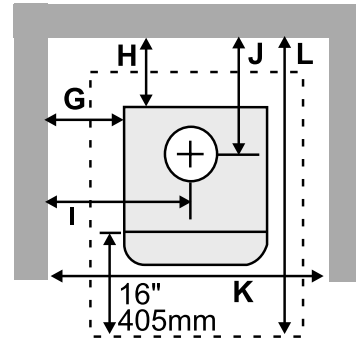
Residential Installation "C" Vent (Single Wall)						
Unit	From Unit		From Corner		From Flue Center-Line	
	A	B	C	D	E	F
Medium F2400M with Airmate with Rear Deflector	16" (406 mm)	11" (279 mm)	6" (152 mm)	28" (710 mm)	17.5" (444 mm)	17.5" (444 mm)
	18" (457 mm)	12" (304 mm)	6.5" (165 mm)	30" (762 mm)	18.5" (469 mm)	19.5" (495 mm)
Medium S2400M Step Stove	16" (406 mm)	11" (279 mm)	6" (152 mm)	28" (710 mm)	17.5" (444 mm)	17.5" (444 mm)
Residential Close Clearance (To be installed with required pipe components)						
When the stove is installed as a close clearance residential unit, a listed double wall connector is required from the stove collar to the ceiling level.						
Unit	From Unit		From Corner		From Flue Center-Line	
	A	B	C	D	E	F
Medium F2400M with Airmate with Rear Deflector	15" (381 mm)	5.5" (139 mm)	4" (101 mm)	27" (685 mm)	12" (304 mm)	15.5" (393 mm)
	15" (381 mm)	6.5" (165 mm)	6" (152 mm)	27" (685 mm)	13" (330 mm)	17.5" (444 mm)
Medium S2400M Step Stove	15" (381 mm)	5.5" (139 mm)	4" (101 mm)	27" (685 mm)	12" (304 mm)	15.5" (393 mm)
Mobile Home Close Clearance (To be installed with required pipe components)						
"C" Vent single wall pipe is not approved for Mobile Home installations. (Refer to Mobile Home Instructions.)						
Unit	From Unit		From Corner		From Flue Center-Line	
	A	B	C	D	E	F
Medium F2400M with Airmate with Rear Deflector	15" (381 mm)	5.5" (139 mm)	4" (101 mm)	27" (685 mm)	12" (304 mm)	15.5" (393 mm)
	15" (381 mm)	6.5" (165 mm)	6" (152 mm)	27" (685 mm)	13" (330 mm)	17.5" (444 mm)
Medium S2400M Step Stove	15" (381 mm)	5.5" (139 mm)	4" (101 mm)	27" (685 mm)	12" (304 mm)	15.5" (393 mm)

INSTALLATION

Minimum Alcove Clearance to Combustible Materials

The Regency Freestanding models have been alcove approved and must be installed with a listed double wall connector to the ceiling level.

Note: Minimum alcove ceiling height - 84"
Maximum depth of alcove - 36"

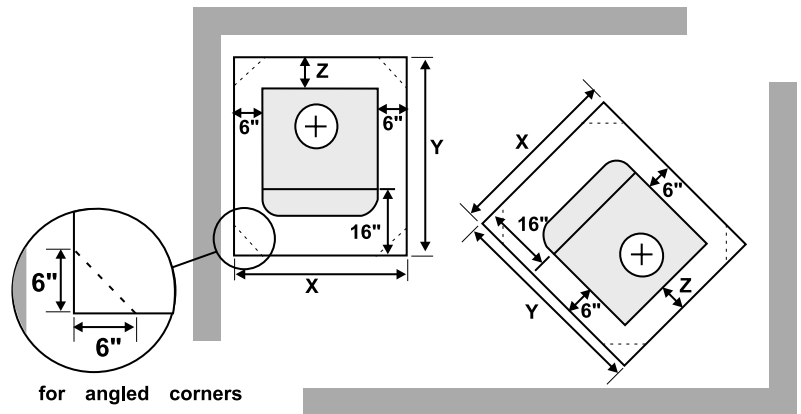


Unit	From Unit		From Flue Center-line		Min. Width	Min. Hearth to Rear Wall
	G	H	I	J	K	L
Medium F2400M with Airmate with Rear Deflector	15" (381 mm)	5.5" (139 mm)	27" (685 mm)	12" (304 mm)	54" (1371 mm)	48" (1219 mm)
	15" (381 mm)	6.5" (165 mm)	27" (685 mm)	13" (330 mm)	54" (1371 mm)	49" (1244 mm)
Medium S2400M Step Stove	15" (381 mm)	5.5" (139 mm)	27" (685 mm)	12" (304 mm)	54" (1371 mm)	48" (1219 mm)

Floor Protection

A combustible floor must be protected by non-combustible material (like tile, concrete board, or certified to UL-1618 or as defined by local codes) extending beneath the heater and a minimum of 6" (152mm) from each side and minimum 16" (406mm) from the front face of the stove and minimum 6" (or the rear clearance to combustibles whichever is smaller) from the rear of the stove.

When installed with horizontal venting, non-combustible floor protection must beneath the flue pipe and extend 2" (51mm) beyond each side.



Minimum Overall Width (X) of Floor Protector for all installations:

Stove	F2400M	36" (914 mm)
Step Stove	S2400M	36" (914 mm)

NOTE: In Canada, floor protection must extend 18" (450mm) to the front and 8" (200mm) to each side and back of the stove.

Minimum Overall Depth (Y) of Floor Protector

Unit	Residential "C" Vent		Residential Close Clearance		Mobile Home Close Clearance		Alcove	
	Y	Z	Y	Z	Y	Z	Y	Z
Medium F2400M with Airmate with Rear Deflector	46" (1168 mm)	6" (152 mm)	45"* (1143 mm)	5" (127 mm)	45" (1143 mm)	5" (127 mm)	45"* (1143)	5" (127 mm)
	46" (1168 mm)	6" (152 mm)	45" (1143 mm)	5" (127 mm)	45" (1143 mm)	5" (127 mm)	45" (1143)	5" (127 mm)
Medium S2400M - Step Stove	46" (1168 mm)	6" (152 mm)	45"* (1143 mm)	5" (127 mm)	45" (1143 mm)	5" (127 mm)	45"* (1143)	5" (127 mm)

*The rear clearance to combustibles is less than 6" (, for corner installations the rear corners may be angled to take advantage of the closer clearances.

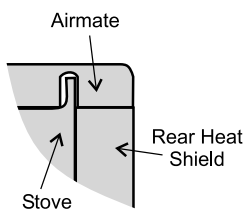
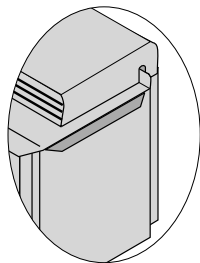
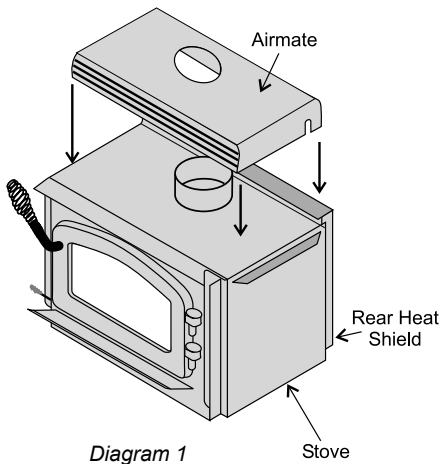
INSTALLATION

STOVE ASSEMBLY PRIOR TO INSTALLATION

All units require either the pedestal or 4 legs attached to the base. The F2400M stove requires either the Airmate or Rear Heat Deflector on top of the stove. Clearances to combustible materials vary depending on whether the airmate or rear heat deflector is installed, so be sure to check the Minimum Clearances, Installation section.

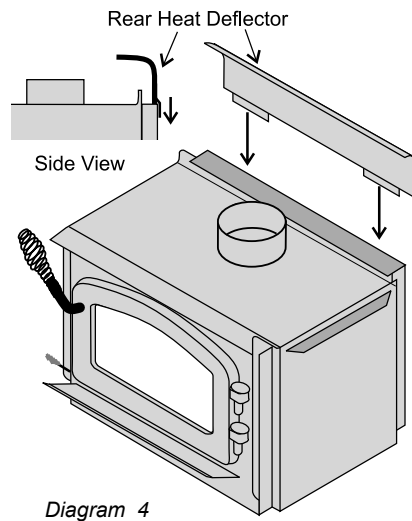
Airmate Assembly for F2400M (850-105)

- 1) The airmate sits on top of the stove with the slots in the sides fitting over the curved deflector on the rear stove top. See diagram 1. Discard the Rear Heat Deflector that is supplied with the unit, it is not required if the airmate is installed.
- 2) Center the airmate and push it forward to the front of the stove. The back of the airmate should be level with the back and sides of the rear heat shield. See Diagrams 2 & 3.



Rear Heat Deflector Assembly for F2400M (815-555)

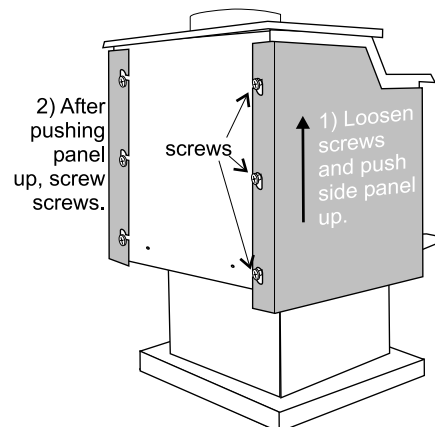
The rear heat deflector is supplied with the stove and must be installed unless the optional airmate has been selected. It stops the heat radiated from the flue collar from overheating the rear wall. The rear heat deflector is installed on top of the rear heat shield, as shown in Diagram 4.



S2400M Side Shield Adjustment

The left and right side shields are lowered for shipping and handling. It allows for a handhold on the top of the stove. Before placing in the Step Stove in its final position, the side shields must be raised.

Loosen the screws on the rear on the stove (3 per side), slide the side panel up as far as possible and then secure by tightening the screws.

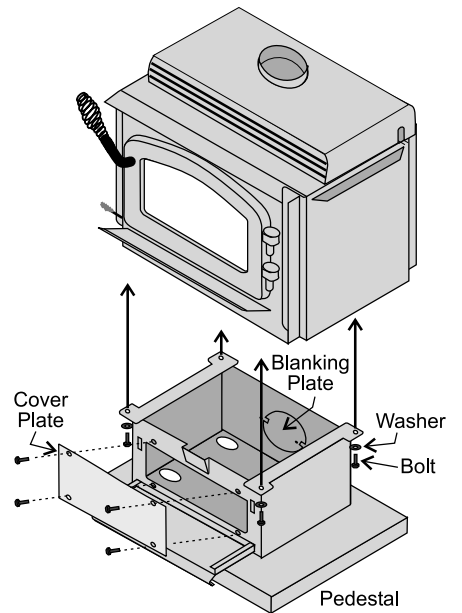


Pedestal Assembly F2400M & S2400M (020-915)

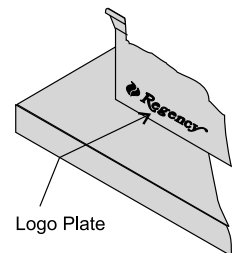
- 1) For easier assembly, tip the stove on its back (onto a soft surface to prevent scratching).

Hint: If you have chosen the Ash Drawer option, remove the ash dump cover plates before attaching the pedestal. See page 17 "Ashdrawer Kit Installation".

- 2) Remove the blanking plate if
 - a) you are **not** installing outside combustion air or
 - b) outside air is to be brought in from the **rear** of the stove.
- 3) Unscrew the 4 bolts in the under-side of the stove. Align the holes in the corners of the pedestal top with the corresponding holes in the base of the stove. Fasten using a bolt and washer for each corner.



- 4) Push the Regency logo into the two holes in the front bottom left corner of the pedestal cover plate.



Note: Any paint touch up should be done prior to placing logo on pedestal.

- 5) If not using ash drawer, then cover plate must be installed. If using ash drawer, then disregard cover plate.

Leg and Bottom Shield Assembly F2400M & S2400M

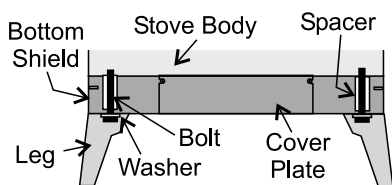
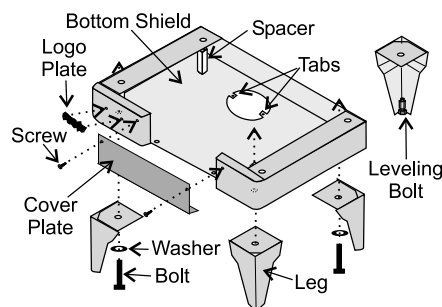
Bottom Shield 020-911

Legs (set of 4)

Steel - Painted Black 850-125
Cast - Painted Black 850-126
Cast - Gold Plated 850-127

The instructions below apply to the steel leg, painted cast leg and the gold plated cast leg. It will be easier to attach the legs to the stove if the stove is tipped on its back (preferably on a soft surface to prevent scratching). Ensure to be extremely careful when tipping stove.

- 1) Remove the 4 bolts from underside of the base of the pedestal and discard. Also remove cover plate and put to the side.
- 2) Line up the heat shield with the bottom of the unit.
- 3) Start threading the bolt and washer (supplied with the bottom shield) for about 1/4 of the way through the leg with the washers being underneath the legs. Ensure that the legs are properly aligned with heat shield and tighten the bolts.
- 4) Level the stove by adjusting the levelling bolts in the bottom of each leg.



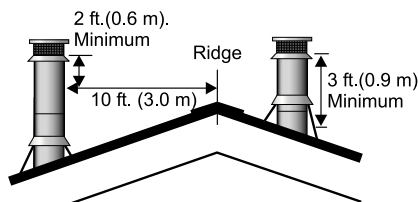
- 5) Reinstall cover plate.
- 6) Install logo plate onto heat shield by placing in 2 holes as shown in diagram.

If you are installing outside combustion air, bend the tabs out 90 degrees. Pipe fresh air into the bottom shield by using a minimum 4" duct pipe with a mesh grill at the outside termination. Attach the pipe to the 2 tabs with screws.

STEP-BY-STEP CHIMNEY AND CONNECTOR INSTALLATION

Note: These are a generic set of chimney installation instructions. Always follow the manufacturers own instructions explicitly. Verify the Minimum Recommended Heights for Woodstove Flue (Table 1 in the Installation section).

- 1) With your location already established, cut and frame the roof hole. It is recommended that no ceiling support member be cut for chimney and support box installation. If it is necessary to cut them, the members must be made structurally sound.
- 2) Install radiant shield and support from above.
- 3) Stack the insulated pipe onto your finish support to a minimum height of 3 feet above the roof penetration, or 2 feet above any point within 10 feet measured horizontally. There must be at least 3 feet of chimney above the roof level.

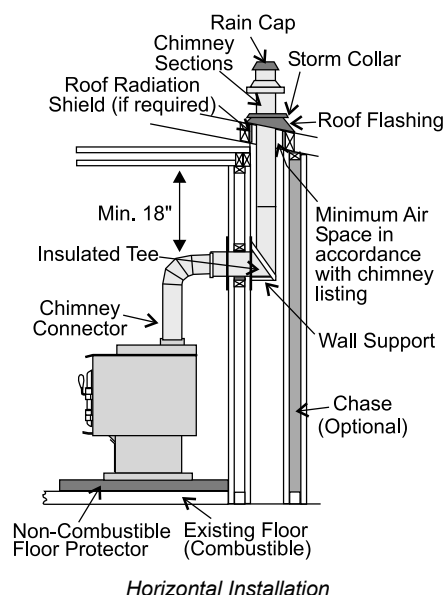
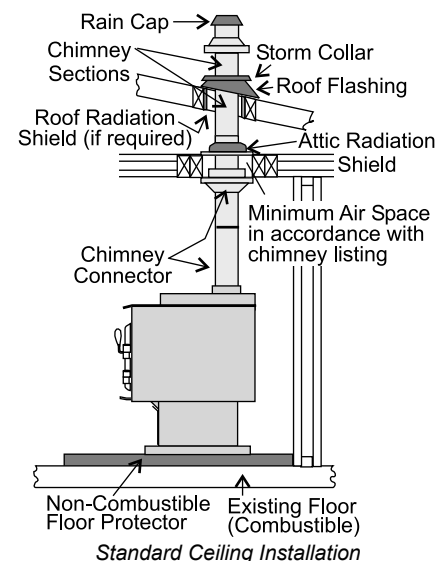


Note: Increasing the chimney height above this minimum level will sometimes help your unit to "breathe" better by allowing a greater draft to be created. This greater draft can decrease problems such as, difficult start-ups, back-smoking when door is open, and dirty glass. It might be sufficient to initially try with the minimum required height, and then if problems do arise add additional height at a later date.

- 4) Slide the roof flashing over your chimney and seal the flashing to the roof with roofing compound. Secure the flashing to your roof with nails or screws.
- 5) Place the storm collar over the flashing, sealing the joints with a silicone caulking.
- 6) Fasten the raincap with spark screens (if required) to the top of your chimney.
- 7) For optimum efficiency when installing into a masonry chimney, size accordingly, i.e. the 6" (152mm) flue dia. is 28.28 sq.in.

- 8) To complete your chimney installation, install the double wall connector pipe from the stove's flue collar to the chimney support device.
- 9) If you are using a horizontal connector, the chimney connector should be as high as possible while still maintaining the 18" (457mm) minimum distance from the horizontal connector to the ceiling.
- 10) **NOTE: Residential Close Clearance and Alcove installations require a listed double wall connector from the stove collar to the ceiling level.**

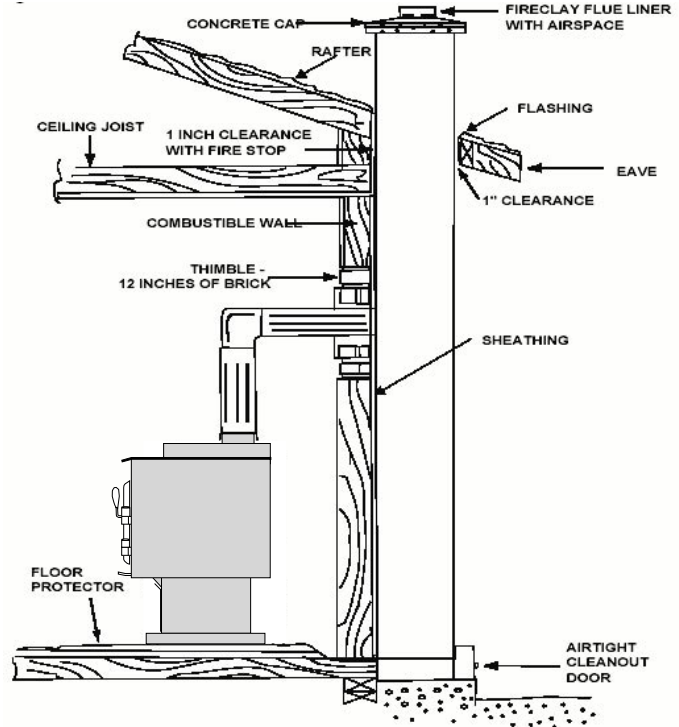
The diagrams below illustrate one way to install your unit into a standard ceiling or with a horizontal connector. Check with your dealer or installer for information on other options available to you.



INSTALLATION

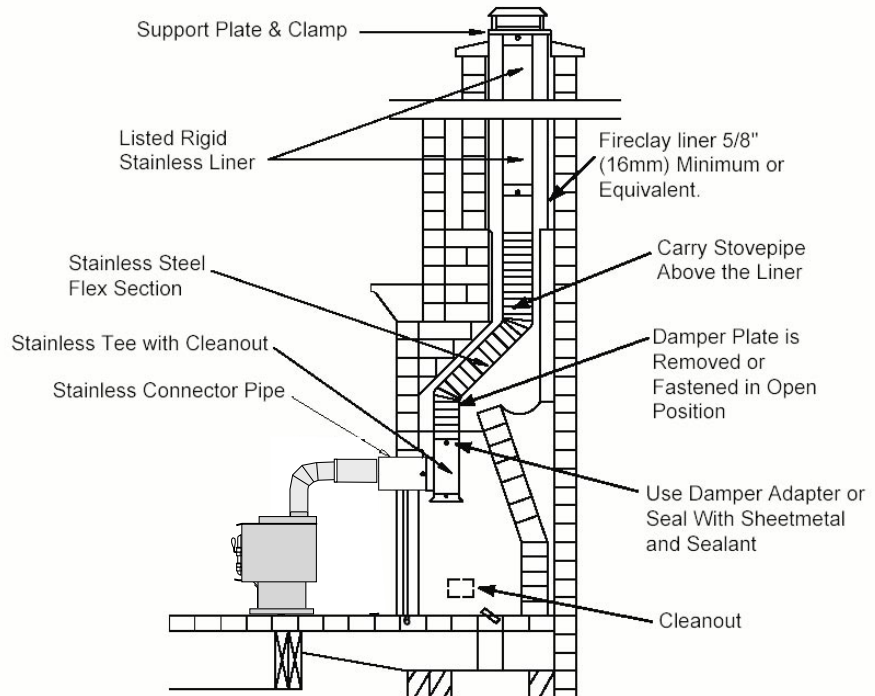
MASONRY CHIMNEY

Ensure that a masonry chimney meets the minimum standards of the National Fire Protection Association (NFPA) by having it inspected by a professional. Make sure there are no cracks, loose mortar or other signs of deterioration and blockage. Have the chimney cleaned before the stove is installed and operated. When connecting the stove through a combustible wall to a masonry chimney, special methods are needed.



MASONRY FIREPLACE

There are listed kits available to connect a stove to a masonry fireplace. The kit is an adapter that is installed at the location of the fireplace damper. The existing damper may have to be removed to allow installation.



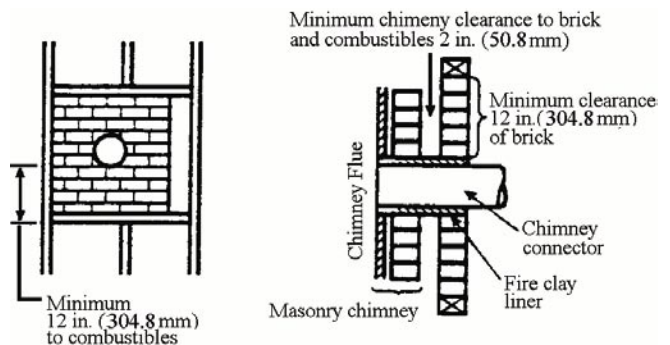
FACTORY BUILT CHIMNEY

When a metal prefabricated chimney is used, the manufacturer's installation instructions must be followed. You must also purchase and install the ceiling support package or wall pass-through and "T" section package, firestops (where needed), insulation shield, roof flashing, chimney cap, etc. Maintain proper clearance to the structure as recommended by the manufacturer. The chimney must be the required height above the roof or other obstructions for safety and proper draft operation.

COMBUSTIBLE WALL CHIMNEY CONNECTOR PASS-THROUGHS

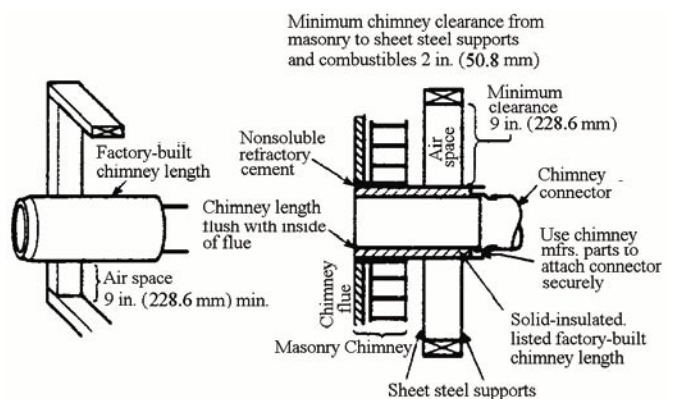
Method A: 12" (304.8 mm) Clearance to Combustible Wall Member:

Using a minimum thickness 3.5" (89 mm) brick and a 5/8" (15.9 mm) minimum wall thickness clay liner, construct a wall pass-through. The clay liner must conform to ASTM C315 (Standard Specification for Clay Fire Linings) or its equivalent. Keep a minimum of 12" (304.8 mm) of brick masonry between the clay liner and wall combustibles. The clay liner shall run from the brick masonry outer surface to the inner surface of the chimney flue liner but not past the inner surface. Firmly grout or cement the clay liner in place to the chimney flue liner.



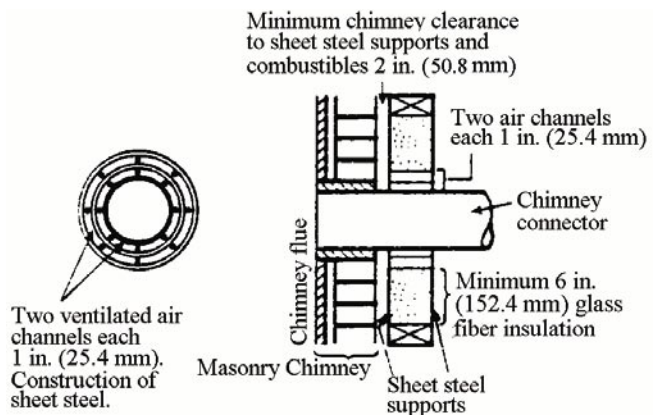
Method B: 9" (228.6 mm) Clearance to Combustible Wall Member:

Using a 6" (152.4 mm) inside diameter, listed, factory-built Solid-Pak chimney section with insulation of 1" (25.4 mm) or more, build a wall pass-through with a minimum 9" (228.6 mm) air space between the outer wall of the chimney length and wall combustibles. Use sheet metal supports fastened securely to wall surfaces on all sides, to maintain the 9" (228.6 mm) air space. When fastening supports to chimney length, do not penetrate the chimney liner (the inside wall of the Solid-Pak chimney). The inner end of the Solid-Pak chimney section shall be flush with the inside of the masonry chimney flue, and sealed with a non-water soluble refractory cement. Use this cement to also seal to the brick masonry penetration.



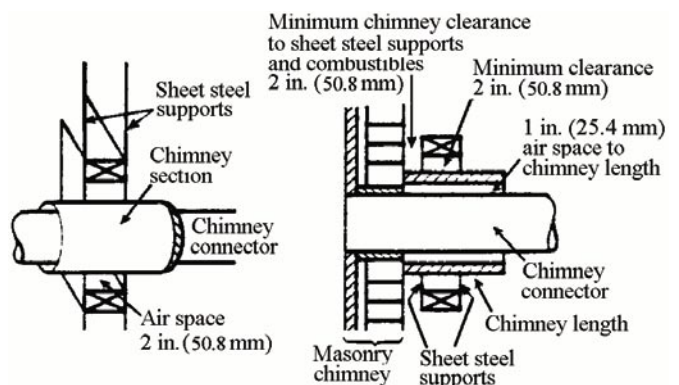
Method C: 6" (152.4 mm) Clearance to Combustible Wall Member:

Starting with a minimum 24 gage (.024" [.61 mm]) 6" (152.4 mm) metal chimney connector, and a minimum 24 gage ventilated wall thimble which has two air channels of 1" (25.4 mm) each, construct a wall pass-through. There shall be a minimum 6" (152.4 mm) separation area containing fiberglass insulation, from the outer surface of the wall thimble to wall combustibles. Support the wall thimble, and cover its opening with a 24-gage minimum sheet metal support. Maintain the 6" (152.4 mm) space. There should also be a support sized to fit and hold the metal chimney connector. See that the supports are fastened securely to wall surfaces on all sides. Make sure fasteners used to secure the metal chimney connector do not penetrate chimney flue liner.



Method D: 2" (50.8 mm) Clearance to Combustible Wall Member:

Start with a solid-pak listed factory built chimney section at least 12" (304 mm) long, with insulation of 1" (25.4 mm) or more, and an inside diameter of 8" (2 inches [51 mm] larger than the 6" [152.4 mm] chimney connector). Use this as a pass-through for a minimum 24-gage single wall steel chimney connector. Keep solid-pak section concentric with and spaced 1" (25.4 mm) off the chimney connector by way of sheet metal support plates at both ends of chimney section. Cover opening with and support chimney section on both sides with 24 gage minimum sheet metal supports. See that the supports are fastened securely to wall surfaces on all sides. Make sure fasteners used to secure chimney flue liner.



INSTALLATION

RECOMMENDED HEIGHTS FOR WOODSTOVE FLUE

Simple rules on draft (refer to Table 1).

- 1) At sea level minimum height is 12' straight.
- 2) Add the following vertical height to compensate for:
 - 45 deg. elbow = 1 ft.
 - 90 deg. elbow = 2 ft.
 - "T" = 3 ft.
 - Each foot of horizontal run = 2 ft.

- 3) Add 4% overall for each 1000' above sea level.

Example: a)
 1-1/2 ft. of horizontal run = 3 ft.
 one "T" = 3 ft.
 Total Addition (at sea level) = 6 ft.

Example: b)
 One 90 deg. elbow = 2 ft.
 2 ft. of horizontal run = 4 ft.
 one "T" = 3 ft.
 Total Addition (at sea level) = 9 ft.

Recommended Flue Height		
Elevation	Example a)	Example b)
0'	18'	21'
1000'	18.72'	21.84'
2000'	19.44'	22.68'
5000'	21.60'	25.20'
8000'	23.76'	27.72'

TABLE 1

MINIMUM RECOMMENDED FLUE HEIGHTS IN FEET (Measured from the top of the unit)							
ELEVATION (FT) ABOVE SEA LEVEL	# OF ELBOWS						
	0	2 x 15°	4 x 15°	2 x 30°	4 x 30°	2 x 45°	4 x 45°
0-1000	12.0	13.0	14.0	15.0	18.0	16.0	20.0
1000-2000	12.5	13.5	14.5	15.5	19.0	16.5	21.0
2000-3000	13.0	14.0	15.0	16.0	19.5	17.0	21.5
3000-4000	13.5	14.5	15.5	17.0	20.0	18.0	22.5
4000-5000	14.0	15.0	16.0	17.5	21.0	18.5	23.0
5000-6000	14.5	15.5	17.0	18.0	21.5	19.0	24.0
6000-7000	15.0	16.0	17.5	18.5	22.5	20.0	25.0
7000-8000	15.5	16.5	18.0	19.0	23.0	20.5	25.5
8000-9000	16.0	17.0	18.5	20.0	24.0	21.0	26.5
9000-10000	16.5	17.5	19.0	20.5	24.5	22.0	27.0

NOTE: No more than two offsets (four elbows) allowed. Two 45° elbows equal one 90° elbow.

MOBILE HOME INSTALLATION

Once you have properly marked the position of your unit and the floor protection as outlined in the Residential Installation items #1 through #8, a supply of fresh air has to be supplied to your unit. Cut a minimum 4" (102mm) diameter hole through your floor protector and the floor directly under your pedestal base to the outside. Use 4" (102mm) duct pipe with a mesh grill to pipe fresh air into the pedestal area. Block off the hole in the back of the pedestal with the square plate and the two 1/2" screws provided.

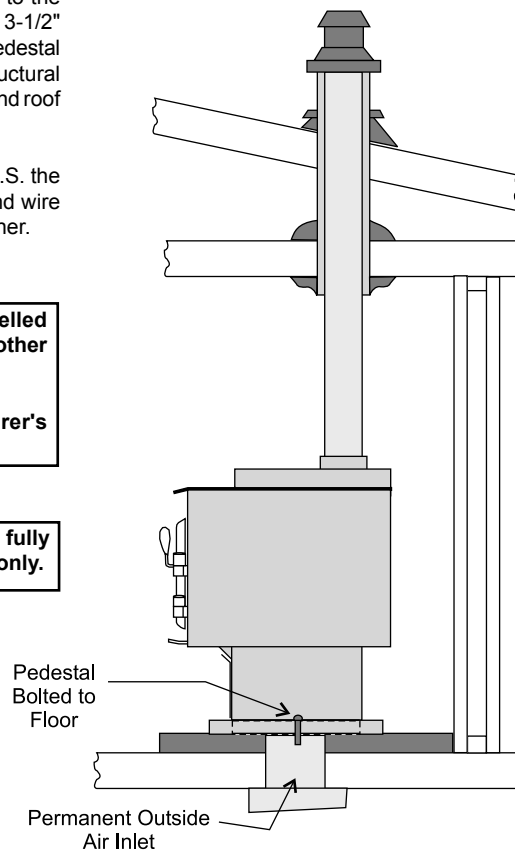
Place your unit in position and secure it to the floor using two lag bolts 3/8" (10mm) x 3-1/2" (89mm) through the two holes inside the pedestal base. It is important to maintain the structural integrity of the Mobile Home floor, walls and roof when installing your unit.

For Mobile Home units installed in the U.S. the unit must be grounded using a #8 ground wire with approved termination and star washer.

CAUTION: At no time use unlabelled parts, or substitute parts made for another chimney system.

Install as per chimney manufacturer's installation instructions.

WARNING: Operate only with door fully closed - open feed door to feed fire only.



In addition to standard installation instructions the following requirements are mandatory for installation in a mobile home.

1) The stove must be permanently bolted to the floor of the Mobile Home using the floor screws provided.

2) The stove must have a permanent outside air source for combustion.

3) The stove must be electrically grounded to the steel chassis of the Mobile Home.

4) A listed double-wall connector chimney system, roof thimble, spark arrester and roof flashing kit suitable for use in Mobile Homes must be used.

5) If the chimney exits the Mobile Home at a location other than through the roof, and exits at a point 7ft. (2130mm) or less above the ground level on which the Mobile Home is positioned a guard or method of enclosing the chimney shall be fitted at the point of exit for a height up to 7ft. (2130mm).

6) The chimney shall be attached directly to the room heater and shall extend at least 3 ft. (914mm) above the part of the roof through which it passes. The top of the chimney should project at least 2ft. (610mm) above the highest elevation of any part of the Mobile Home within 10 ft. (3048mm) of the chimney.

7) The chimney system shall comply with Local Requirements.

8) Any openings in a chimney guard where required must not permit the entrance of 3/4" (19mm) diameter rod.

9) CAUTION: THE STRUCTURAL INTEGRITY OF THE MOBILE HOME ROOF, FLOOR, WALLS AND CEILING MUST BE MAINTAINED.

10) Check any other local building code as other local codes may apply.

11) WARNING: DO NOT INSTALL IN A SLEEPING ROOM OF A MOBILE HOME.

12) Use silicone to create an effective vapour barrier at the location where the chimney or other component penetrates to the exterior of the structure.

INSTALLATION

LISTED COMPONENTS FOR MOBILE HOME INSTALLATION

The Regency F2400M and S2400M Freestanding pedestal units are approved for installation in a Mobile Home if one of the following pipe systems is used.

U.S. Installation*

METALBESTOS SSII

Qty. Part #	Description
1 6DS-VK	Connector Kit
1 6TMH	Shield/Support
1 6TAF-6	Flashing
1 6T-36	Chimney Length
1 6T-18	Chimney Length
1 6T-CT	Rain Cap

PRO-JET 3103

Qty. Part #	Description
1 PV06-TK	Connector
1 CSB	Shield/Support
1 RRS	Radiation Shield
1 LFR03	Flashing
1 SL3	Chimney Length
1 SL1	Chimney Length
1 RCSA	Rain Cap

SECURITY ASHT

Qty. Part #	Description
1 DL42A-6	Connector Kit
1 6SS	Shield/Support
1 6FAMH	Flashing
1 6L3	Chimney Length
1 6L1	Chimney Length
1 CPE	Rain Cap

SECURITY S2100

Qty. Part #	Description
1 DL42A-6	Connector Kit
1 6XSF	Support
1 6XFA	Flashing
1 6XL3	Chimney Length
1 6XL18	Chimney Length
1 6XCPE	Rain Cap

METAL-FAB TEMP/GUARD 2100

Qty. Part #	Description
1 6DWBK	Connector
1 6TGRS	Roof Support
1 6TGG36	Chimney Length
1 6TGG12	Chimney Length
1 6TGF	Flashing
1 6TGC	Rain Cap

AMERI-TEC HS

Qty. Part #	Description
1 6DCC	Connector
1 6HSRS-12	Roof Support (6PLRS-12-BK)
1 6F	Flashing
1 6HS-36	Chimney Length
1 6HS-18	Chimney Length
1 6HS-RCS	Rain Cap (6PL-MPC)

SIMPSON DURA-PLUS

Qty. Part #	Description
1 6DVL8693	Connector Kit
1 6DP-MH9096	Mobile Home Kit

ICC EXCEL 2100

Qty. Part #	Description
1 6CL48	48" Chimney length (also in 12", 18", 24" lengths.
1 6RC	Rain Cap
1 6RCS	Spark Screen (for rain cap)
1 6RDS/SQS	Round/Square support box
1 6VF	Flashing
1 6UBA	"Ultrablack" Close Clearance Connector

Canadian Installations*

SECURITY S2100 (see above for details)

ICC EXCEL 2100 (see above for details)

SELKIRK SENTINAL CF

*The use of alternate pitch flashings, support box extensions, additional chimney lengths, and additional chimney bracing, may be used on each of the previously listed systems. These parts though must be from the same system as listed, and must be a similar and/or complimentary part.

CAUTION: At no time use unlabelled parts, or substitute parts made for another chimney system.

Install as per chimney manufacturer's installation instructions.

FLUE BAFFLE & SECONDARY AIR TUBE INSTALLATION

The flue baffle system located in the upper area of the firebox is removable to make cleaning your chimney system easier. The baffles must be installed prior to your first fire. **Smoke spillage and draft problems may occur if the baffles are improperly positioned.** Check the position of the baffles on a regular basis as they can be dislodged if too much fuel is forced into the firebox.

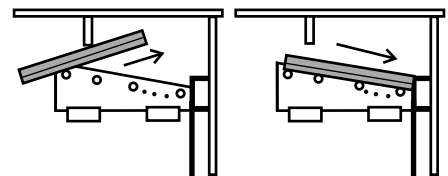
Freestanding Stove F2400M

The unit arrives with the 2 baffles on the floor of the firebox.

- 1) If all 4 air tubes are installed continue on to Step 2), if not, follow the instructions below. Install the air tube into the holes in the side channels. The notch goes on the right hand side with the air holes facing toward the door.

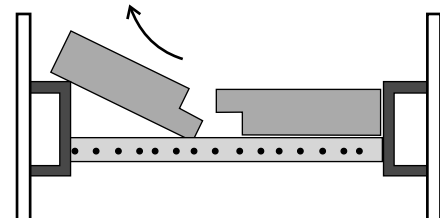
Slide the tube into the left hand side, as far as possible and then bring it back into the hole on the right hand side until it locks into position. If the tube will not slide in easily, simply use a pair of vise grips or pliers and tap it into place with a hammer. A tighter fit will ensure the tube will not move when the unit is burning.

- 2) Slide the left baffle over the air tubes from the front and then push it to the back.



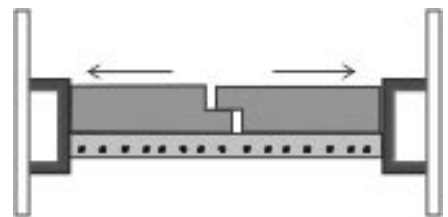
Side View

- 3) Tilt the left baffle up on top of the side channel and it will leave enough room to position the right baffle in the same manner as Step 1) above. Then reposition the left baffle flat on the air tubes.



Front View

- 4) Important: push both baffles so they are tight against the side walls.



Front View

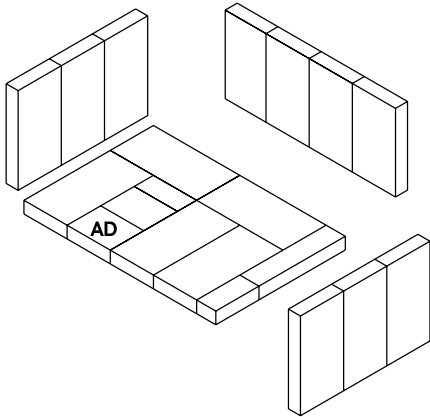
Note: When getting the chimney cleaned, push the baffles forward toward the front of the stove, this should leave sufficient access to the flue. If it is not enough space then remove the middle air tube (reverse the procedure in step 1) above), and baffle and then replace everything when cleaning is completed.

INSTALLATION

BRICK INSTALLATION

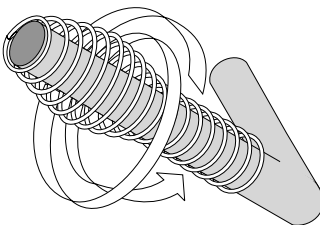
Firebrick is included to extend the life of your stove and radiate heat more evenly. Check to see that all firebricks are in their correct positions and have not become misaligned during shipping.

The "AD" brick in the drawings below is the brick covering the Ash Dump hole that is used when the Ash Drawer Kit is installed.



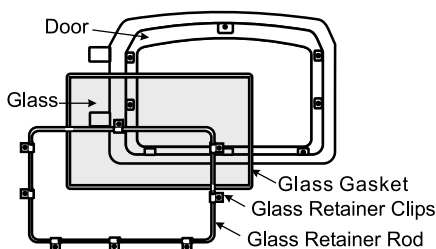
DOOR HANDLE

Attach spring handle by rotating counter clockwise onto rod. Ensure that the rod fits into the entire length of the spring handle (refer to the Diagram below).



GLASS INSTALLATION

Remove the door from the stove and remove the glass retainer. Position the glass in the door, make sure that the glass gasketing will properly seal your unit, and replace the retainer, it should rest on the gasket not the glass. Tighten securely, but do not wrench down on the glass as this may cause the glass to break.

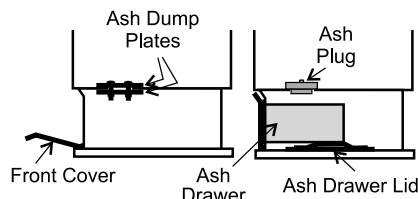


STEP-BY-STEP OPTIONAL ACCESSORIES INSTALLATION

The pieces listed below can be purchased and installed during the initial installation or added on later.

Pedestal Ash Drawer Kit (850-100)

- 1) Remove the bricks from the floor of the firebox.
- 2) If using ashdrawer, discard cover plate.
- 3) Remove the ash dump cover plates (one inside the firebox and one on the underside of the firebox) by removing the two nuts and bolts holding the 2 plates together from inside the firebox.
- 4) Push the ash plug into the hole inside the firebox and replace all the bricks except for the brick over the ash plug (refer to the brick diagram in the Brick Installation section).
- 5) Place the ash drawer lid inside the pedestal, and the ash plug tool beside the lid, then slide the ash drawer inside so it sits on top of the lid.



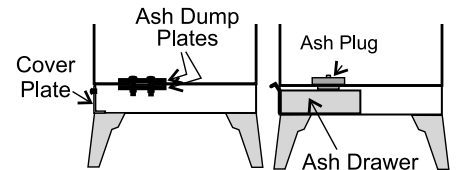
Refer to the Ash Drawer Operating Guidelines in the Operating Instructions section.

Bottom Shield Ash Drawer Kit (850-101)

- 1) Remove the bricks from the floor of the firebox.
- 2) Remove and discard the cover plate by removing the two screws on the front of the Bottom Shield.
- 3) Remove the ash dump cover plates (one inside the firebox and one on the underside of the firebox) by removing the two nuts and bolts holding the 2 plates together from inside the firebox.

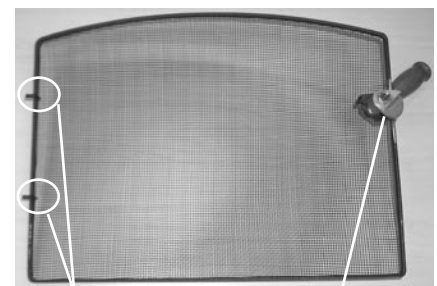
- 4) Push the ash plug into the hole inside the firebox and replace all the bricks except for the brick over the ash plug (see brick diagram in the Brick Installation section).
- 5) Place the ash plug tool beside the lid, then slide the ash drawer inside.

Refer to Ash Drawer Operating Guidelines in the Operating Instructions section.



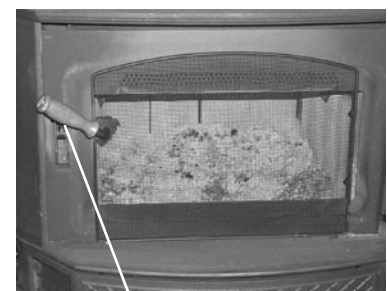
SCREEN DOOR

Hook screen to the inside on the right side of the firebox door opening. Lock in place by turning handle.



Back Side of Screen Shown

NOTE: The handle must be positioned at 10 o'clock when closed to avoid the handle from getting hot and to ensure the screen stays in place.

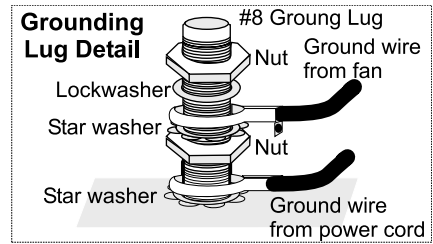
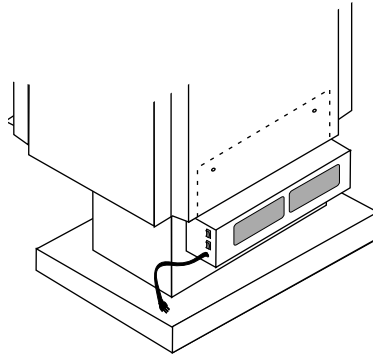


Handle at 10 o'clock position.

INSTALLATION

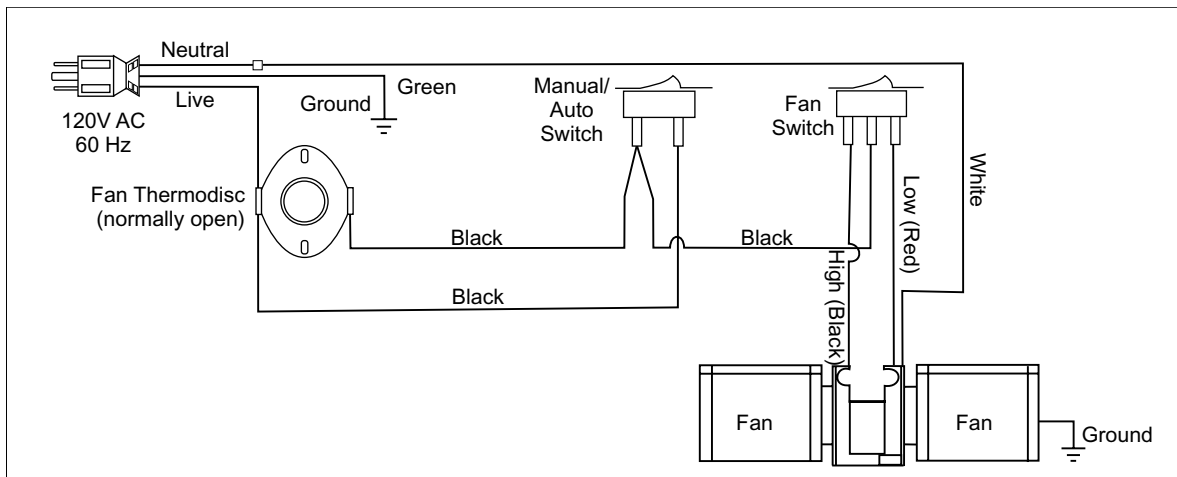
Blower/Fan (846-515)

- 1) Remove the two screws from the top of the fan housing.
- 2) Slide the fan up into the rear heat shield.
- 3) After aligning holes, secure the fan to the rear heat shield using the two screws removed earlier.



CAUTION: The connection cord should not be in contact with any hot surfaces. Do not route cord under or in front of unit.

Read the Fan Operation instructions before using.



Blower/Fan Wiring Diagram

WARNING: Electrical Grounding Instructions
 This appliance is equipped with a three pronged (grounding) plug for your protection against shock hazard and should be plugged directly into a properly grounded three-prong receptacle. Do not cut or remove the grounding prong from this plug.

CAUTION: Label all wires prior to disconnection when servicing controls. Wiring errors can cause improper and dangerous operation.

OPERATING INSTRUCTIONS

OPERATING INSTRUCTIONS

With your unit now correctly installed and safety inspected by your local authority, you are now ready to start a fire. Before establishing your first fire, it is important that you fully understand the operation of your draft control.

WARNING

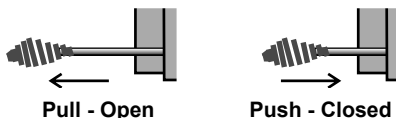
Fireplace Stoves equipped with doors should be operated only with doors fully open or doors fully closed. If doors are left partly open, gas and flame may be drawn out of the fireplace stove opening, creating risks from both fire and smoke.

When operated with doors open the manufacturer supplied screen must be used.

DRAFT CONTROL

Both the primary and air wash drafts are controlled by the control rod located on the left side of the unit (when facing the unit). To increase your draft - pull open, and to decrease - push closed. All units have a secondary draft system that continually allows combustion air to the induction ports at the top of the firebox, just below the flue baffle.

Important: If you are using room air for combustion, make sure that the back cover plate at the rear of the pedestal is not installed. The cover plate must be installed on the unit if your stove is located in a mobile home or if using outside air from the bottom.



WARNING: To build a fire in ignorance or to disregard the information contained in this section can cause serious permanent damage to the unit and void your warranty!!

FIRST FIRE

When your installation is completed and inspected you are ready for your first fire.

- 1) Open control fully.
- 2) Open firebox door and build a small fire using paper and dry kindling on the firebrick hearth. Secure door on the firebox and wait a few minutes for a good updraft in the flue to establish the fire. (Leaving the door slightly open will help your fire start more rapidly.)
- 3) With the draft still in the fully open position add two or three seasoned logs to your fire. Form a trench in the ash bed to allow air to reach the rear of the firebox prior to closing the door.
- 4) After about 45 minutes, when your wood has begun to burn strongly, adjust your draft control down to keep the fire at a moderate level.

CAUTION: Never leave unit unattended if door is left open. This procedure is for fire start-up only, as unit may overheat if door is left open for too long.

WARNING: Never build a roaring fire in a cold stove. Always warm your stove up slowly!

- 5) Once a bed of coals has been established on the firebrick hearth, you may adjust the draft control to a low setting to operate the unit at its most efficient mode.
- 6) During the first few fires, keep the combustion rate at a moderate level and avoid a large fire. Only after 5 or 6 such fires can you operate the stove at its maximum setting, and only after the metal has been warmed.
- 7) For the first few days, the stove will give off an odour from the paint. This is to be expected as the high temperature paint becomes seasoned. Windows and/or doors should be left open to provide adequate ventilation while this temporary condition exists. Burning the stove at a very high temperature the first few times may damage the paint. Burn fires at a moderate level the first few days.
- 8) Do not place anything on the stove top during the curing process. This may result in damage to your paint finish.

- 9) During the first few days it may be more difficult to start the fire. As you dry out your firebrick and your masonry flue, your draft will increase.
- 10) For those units installed at higher elevations or into sub-standard masonry fireplaces, drafting problems may occur. Consult an experienced dealer or mason on methods of increasing your draft.
- 11) Some cracking and popping noises may be experienced during the heating up process. These noises will be minimal when your unit reaches temperature.
- 12) Before opening your door to reload, open draft fully for approximately 10 to 15 seconds until fire has been re-established. This will minimize any smoking.
- 13) All fuel burning appliances consume oxygen during operation. It is important that you supply a source of fresh air to your unit while burning. A slightly opened window is sufficient for the purpose. If you also have a fireplace in your home, a downdraft may be created by your Regency Stove causing a draft down your chimney. If this occurs, slightly open a window near your unit.

CAUTION: If the body of your unit, flue baffle or any part of the chimney connector starts to glow, you are over firing. Stop loading fuel immediately and close the draft control until the glow has completely subsided.

- 14) Green or wet wood is not recommended for your unit. If you must add wet or green fuel, open the draft control fully until all moisture has been dispersed by the intense fire. Once all moisture has been removed, the draft control may be adjusted to maintain the fire.
- 15) If you have been burning your stove on a low draft, use caution when opening the door. After opening the damper, open the door a crack, and allow the fire to adjust before fully opening the door.
- 16) The controls of your unit or the air supply passages should not be altered to increase firing for any reason.
- 17) If you burn the unit too slowly or at too low a setting your unit will not be operating as efficiently as it can. An easy rule of thumb says that if your glass is clean, then your flue is clean and your exhaust is clean. Burn the stove hot enough to keep your glass clean and you won't need to clean your flue as often.

OPERATING INSTRUCTIONS

FAN OPERATION

Automatic

To operate the fan automatically, push the bottom switch on the side of the fan housing to "AUTO" and the top switch to either "HIGH" or "LOW" for fan speed.

This will allow the fan to turn on as the stove has come up to operating temperature. It will also shut the fan system off after the fire has gone out and the unit cooled to below a useful heat output range.

Manual

To manually operate the fan system push the bottom switch to "MAN" and the top switch to either "HIGH" or "LOW". This will bypass the sensing device and allow full control of the fan.

Switching from "AUTO" to "MAN" or "HIGH" to "LOW" may be done anytime.

ASH DISPOSAL

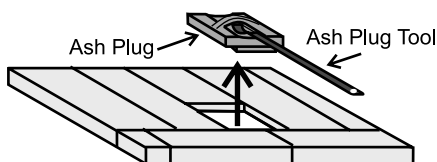
During constant use, ashes should be removed every few days. The Ash Drawer option features a convenient ash dump for easy removal of ash, refer to Modular Installation Options section.

Safety Precautions

- 1) Do not allow ashes to build up to the loading doors! Only remove ashes when the fire has died down. Even then, expect to find a few hot embers.
- 2) Please take care to prevent the build-up of ash around the start-up air housing located inside the stove box, under the loading door lip.
- 3) Never start a fire if the ash plug and ash drawer are not in place. This will cause over firing which can cause excessive warping of the stove. Evidence of over firing can void the warranty on your stove.
- 4) The firebricks are brittle and can be damaged if the plug is replaced carelessly or pieces that are too large are forced through the hole.

Ash Drawer Operating Guideline

- 1) Only clean ashes out of the stove when the unit has cooled down. Remove the plug by lifting on the handle using the tool provided. The plug may still be warm, use caution.

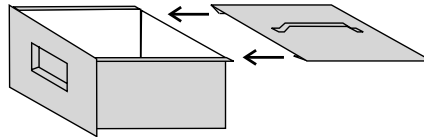


Push the ashes down the hole into the ash drawer, the large pieces can be left in the firebox and burned during the next fire or removed through the door opening.

- 2) Always leave 1/2 to 1 inch of ash in the bottom of the firebox. This helps in easier starting and a more uniform burn of your fire. Replace ash plug when ashes have been removed.

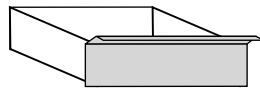
3) Pedestal Units:

To remove the drawer, lift slightly and slide it out. When the drawer is completely out, slide the cover plate over the ash drawer and carry away.



Bottom Shield (with Legs) Units:

To remove the drawer, lift slightly and slide it out, and carry it away.



- 4) When emptying the ash drawer, make sure the ashes are cold. Ashes should be placed in a metal container with a tight fitting lid. The closed container of ashes should be placed on a non-combustible floor or on the ground, well away from all combustible materials, pending final disposal. If the ashes are disposed of by burial in soil or otherwise locally dispersed, they should be retained in the closed container until all cinders have thoroughly cooled. Other waste should not be placed in the ash container.
- 5) Before putting the ash drawer back into place, make sure the ash plug is back in place.

Pedestal Units: make sure the cover lid is off.

SAFETY GUIDELINES AND WARNINGS

- 1) Never use gasoline, gasoline type lantern fuels, kerosene, charcoal lighter fuel, or similar liquids to start or 'freshen up' a fire in your heater. Keep all such liquids well away from the heater while it is in use.
- 2) Keep the door closed during operation and maintain all seals in good condition.
- 3) Do not burn any quantities of paper, garbage, and never burn flammable fluids such as gasoline, naphtha or engine oil in your stove.

- 4) If you have smoke detectors, prevent smoke spillage as this may set off a false alarm.
- 5) Do not overfire heater. If the chimney connector, flue baffle or the stove top begin to glow, you are overfiring. Stop adding fuel and close the draft control. Over firing can cause extensive damage to your stove including warpage and premature steel corrosion. Over firing will void your warranty.
- 6) Do not permit creosote or soot build-up in the chimney system. Check and clean chimney at regular intervals. Failure to do so can result in a serious chimney fire.
- 7) Your Regency stove can be very hot. You may be seriously burned if you touch the stove while it is operating, keep children, clothing and furniture away. Warn children of the burn hazard.
- 8) The stove consumes air while operating, provide adequate ventilation with an air duct or open a window while the stove is in use.
- 9) Do not connect this unit to a chimney flue serving another appliance.
- 10) Do not use grates or andirons or other methods for supporting fuel. Burn directly on the bricks.
- 11) Open the draft control fully for 10 to 15 seconds prior to slowly opening the door when refuelling the fire.
- 12) Do not connect your unit to any air distribution duct.
- 13) Your woodstove should burn dry, standard firewood only. The use of cut lumber, plywood, "mill ends", etc. is not allowed as this fuel can easily overheat your woodstove. Evidence of excessive overheating will void your warranty. As well, a large portion of saw-mill waste is chemically treated lumber, which is illegal to burn in many areas. Salt drift wood and chemically treated fire logs also must not be burned in your woodstoves.

- 14) Do not store any fuel closer than 2 feet from your unit. Do not place wood, paper, furniture, drapes or other combustibles near the appliance.

- 15) **WARNING: Do not operate without either the Ash Plug properly seated or the Ash Dump Plates screwed in place, excessive temperatures will result.**

- 16) Do not operate with broken glazing.

MAINTENANCE

It is very important to carefully maintain your fireplace stove, including burning seasoned wood and maintaining a clean stove and chimney system. Have the chimney cleaned before the burning season and as necessary during the season, as creosote deposits may build up rapidly. Moving parts of your stove require no lubrication.

CREOSOTE

When wood is burned slowly, it produces tar and other organic vapours, which when combined with moisture, form creosote. The creosote vapours condense in the relatively cool chimney flue of a slow burning fire. As a result, creosote residue accumulates on the flue lining. When ignited, this creosote can result in an extremely hot fire.

WARNING: Things to remember in case of a chimney fire:

1. Close all draft and damper controls.
2. CALL THE FIRE DEPARTMENT.

Ways to Prevent and Keep Unit Free of Creosote

- 1) Burn stove with the draft control wide open for about 10-15 minutes every morning during burning season.
- 2) Burn stove with draft control wide open for about 10 - 15 minutes every time you apply fresh wood. This allows the wood to achieve the charcoal stage faster and burns up any unburned gas vapours which might otherwise be deposited within the system.
- 3) **Only burn seasoned wood!** Avoid burning wet or green wood. Seasoned wood has been dried at least one year.
- 4) A small hot fire is preferable to a large smouldering one that can deposit creosote within the system.

- 5) The chimney and chimney connector should be inspected at least once every two months during the heating season to determine if a creosote buildup has occurred.
- 6) **Have chimney system and unit cleaned by competent chimney sweeps twice a year during the first year of use and at least once a year thereafter or when a significant layer of creosote has accumulated (3 mm/1/8" or more) it should be removed to reduce the risk of a chimney fire.**

MAINTENANCE OF GOLD-PLATED DOORS

The gold electroplated finish on the door requires little maintenance, and need only be cleaned with a damp cloth. DO NOT use abrasive materials or chemical cleaners, as they may harm the finish and void the warranty.

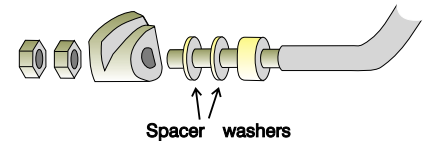
GLASS MAINTENANCE

Your Regency stove is supplied with 5 mm Neoceram ceramic glass (Part #846-302) that will withstand the highest heat that your unit will produce. In the event that you break your glass by impact, purchase your replacement from an authorized Regency dealer only, and follow our step-by-step instructions for replacement (refer to Glass Installation section).

Allow the stove to cool down before cleaning the glass, do not clean the glass when it is hot. Do not use abrasive cleaners.

LATCH ADJUSTMENT

The door latch may require adjustment as the door gasket material compresses after a few fires. Removal of the spacer washer, shown in the diagram below, will allow the latch to be moved closer to the door frame, causing a tighter seal. Remove and replace the nuts, washer and spacer as shown.



DOOR GASKET

If the door gasket requires replacement 7/8" diameter material must be used. Regency uses AMATEX # 10-863KR 7/8" dia. gasket (Part #846-570). A proper high temperature gasket adhesive is required. See your Regency Dealer.

WOOD STORAGE

Store wood under cover, such as in a shed, or covered with a tarp, plastic, tar paper, sheets of scrap plywood, etc., as uncovered wood can absorb water from rain or snow, delaying the seasoning process.

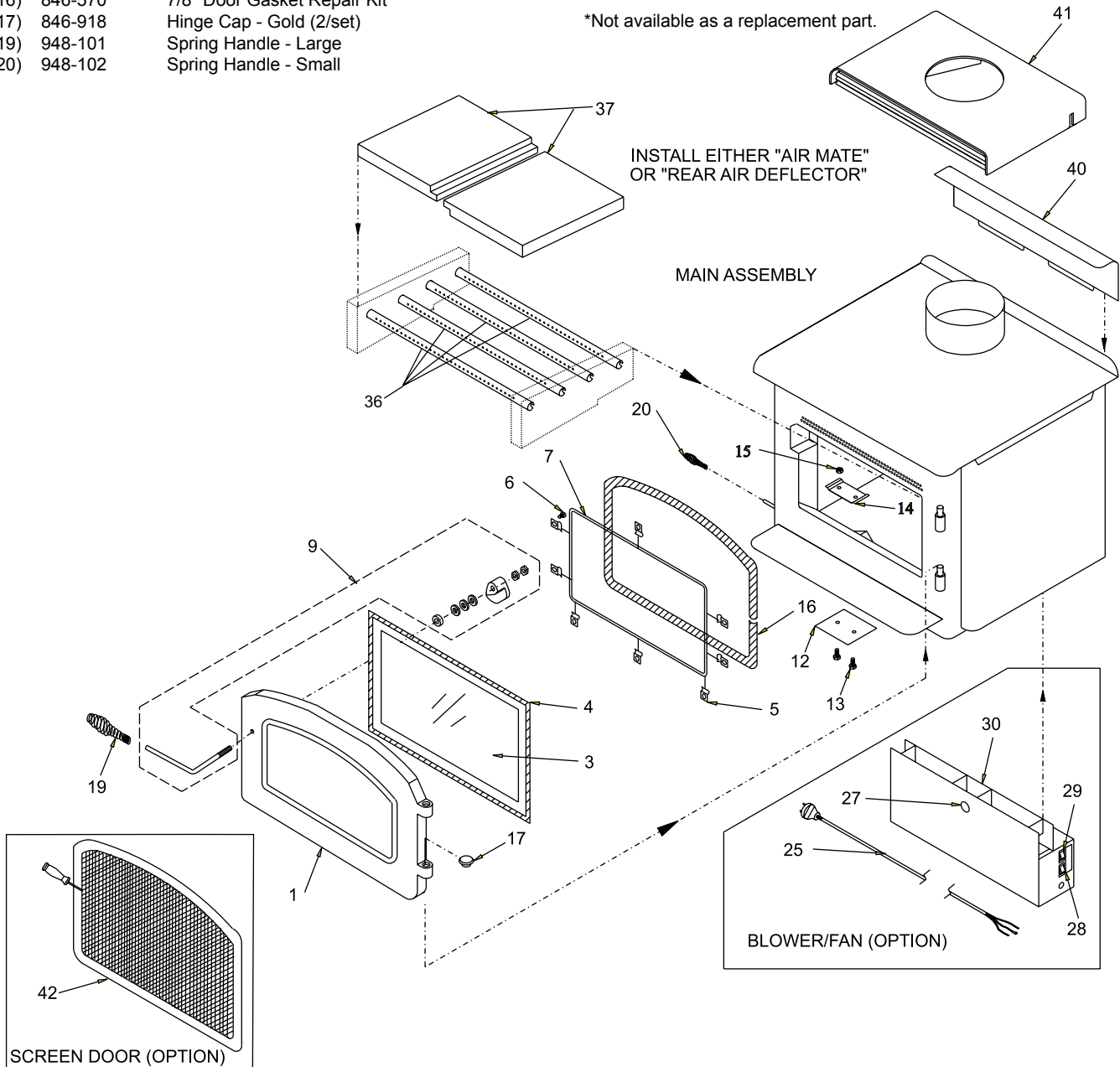


PARTS LIST

F2400M STOVE MAIN ASSEMBLY

Part#	Description	Part#	Description
1) 846-913	Door Assy-Med Gold F2400M (no glass)	846-515	Complete Fan/Blower Assy (120 V)
846-915	Door Assy-Med Black F2400M (no glass)	25) 910-684	Power Cord (120 V)
3) 846-302	Glass - Replacement - F2400M	27) 910-142	Thermodisc - Fan Auto ON/OFF
4) 936-243	7/8" Adhesive Tape Gasket	28) 910-138	Manual/Auto Switch (2-way)
5) 820-184	Glass Retainer Clips (8/set)	29) 910-140	Fan Speed Switch HI/OFF/LOW (3-way)
6) *	Screw - 1/4 - 20 x 3/8"	30) 910-157/P	Fan/Blower Motor (120 V)
7) 948-170/P	Small Glass Retainer F2400M	36) 033-953	Air Tube - 3/4" F2400M (Qty: 4)
9) 846-973	Door Handle Assembly	37) 020-957	Baffle (set) F2400M
12) 820-375	Ash Hole Cover Plate	40) 815-557	Rear Air Deflector
13) *	Bolt 1/4 - 20 x 1/2 Hex Head	41) 850-105	Airmate - Medium
14) 820-376	Retainer Plate - Ash Dump - Top	42) 846-101	Screen Door
15) *	Nut - 1/4 - 20 Hex		
16) 846-570	7/8" Door Gasket Repair Kit	918-154b	Manual
17) 846-918	Hinge Cap - Gold (2/set)		
19) 948-101	Spring Handle - Large		
20) 948-102	Spring Handle - Small		

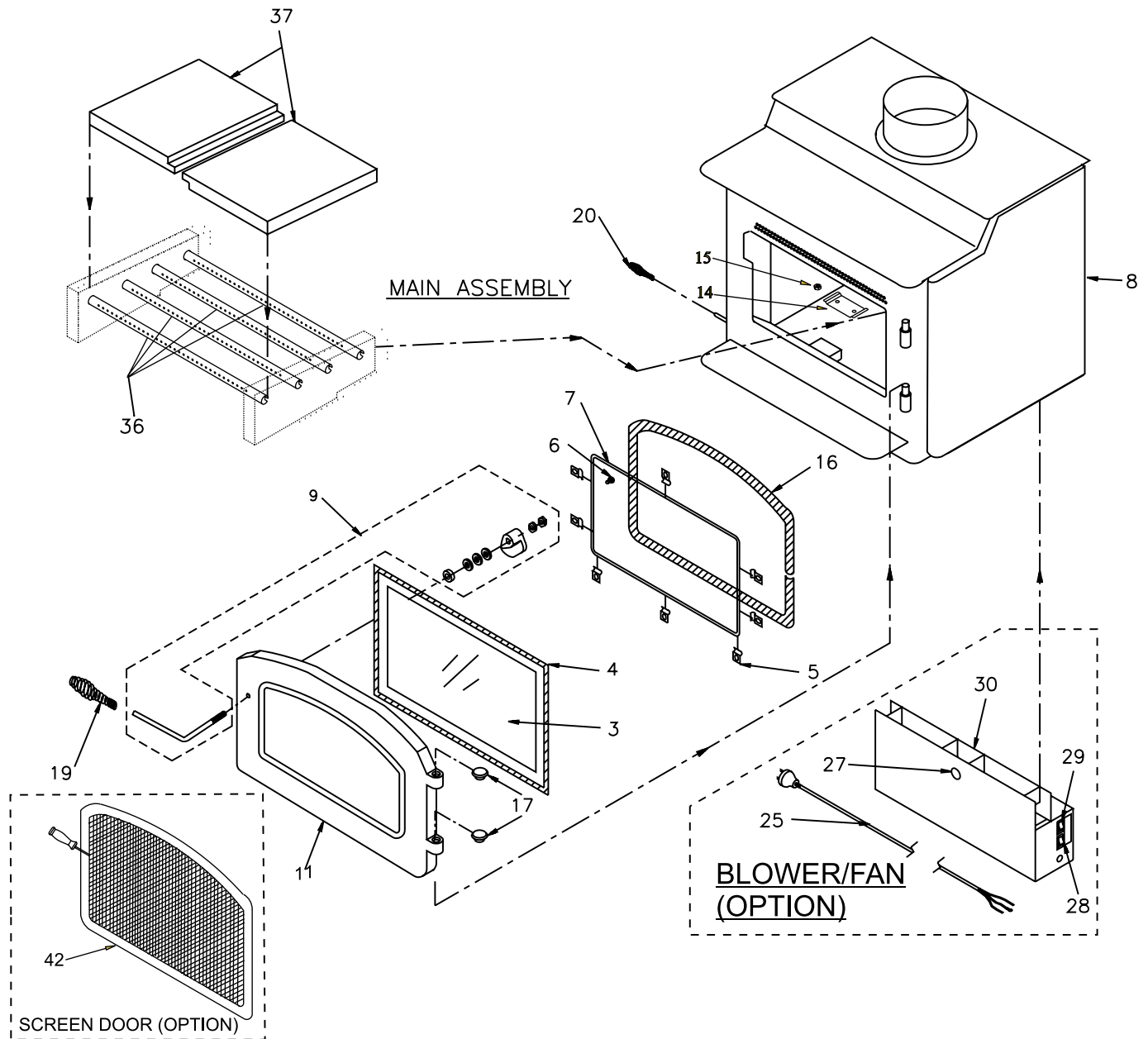
*Not available as a replacement part.



S2400M STEP STOVE MAIN ASSEMBLY

Part#	Description	Part#	Description
1) 846-913	Door Assy- Medium Gold S2400M (no glass)	846-515	Complete Fan/Blower Assy (120 V)
846-915	Door Assy-Medium Black S2400M (no glass)	25) 910-684	Power Cord (120 V)
3) 846-302	Glass - Replacement - S2400M	27) 910-142	Thermodisc Fan Auto ON/OFF
4) 936-243	7/8" Adhesive Tape Gasket	28) 910-138	Manual/Auto Switch (2-way)
5) 846-920	Glass Retainer Clips (8/set)	29) 910-140	Fan Speed Switch HI/OFF/LOW (3-way)
6) *	Screw - 1/4 - 20 x 3/8"	30) 910-157/P	Fan/Blower Motor (120 V)
7) 948-170/P	Small Glass Retainer - S2400M	36) 033-953	Air Tube - 3/4" S2400M (Qty: 4)
9) 846-973	Door Handle Assembly	37) 020-957	Baffle (set) S2400M
16) 846-570	7/8" Door Gasket Repair Kit	42) 846-101	Screen Door
17) 846-918	Hinge Caps - Gold (2/set)		
19) 948-101	Spring Handle - Large	918-154b	Manual
20) 948-102	Spring Handle - Small		

*Not available as a replacement part.



PARTS LIST

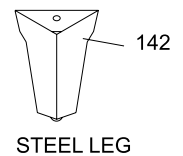
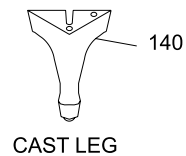
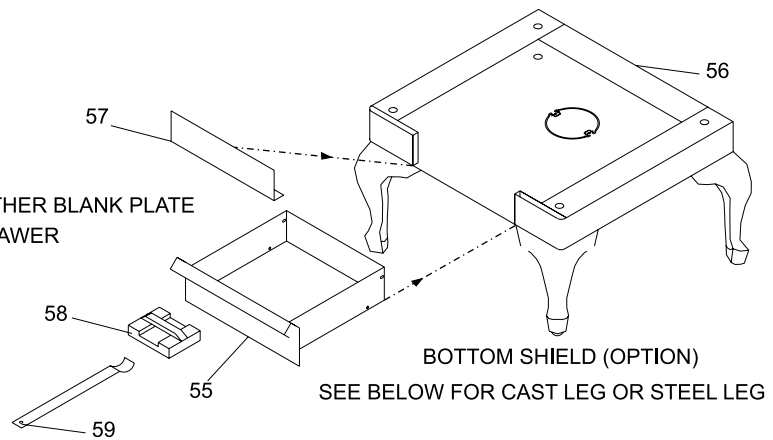
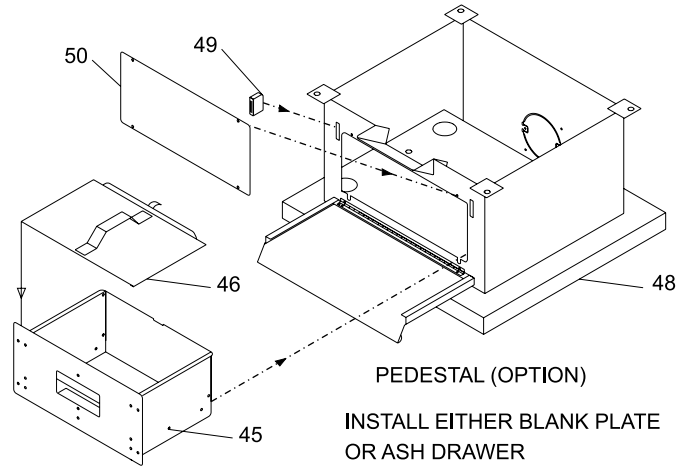
PEDESTAL, BOTTOM SHIELD & LEG OPTIONS

Part#	Description
48)	020-915 Pedestal - Medium
49)	904-257 Large Magnet Catch
50)	* Blanking Plate - Pedestal
850-100	Ashdrawer Kit - Pedestal
45)	* Ashdrawer - Pedestal
46)	* Ashdrawer Lid Assy
58)	942-110 Ash Plug
59)	820-249 Ash Plug Tool Handle
56)	020-911 Bottom Shield - Medium
57)	* Blanking Plate - Btm Shield
850-101	Ashdrawer Kit - Btm Shield
55)	* Ashdrawer - Bottom Shield
58)	942-110 Ash Plug
59)	820-249 Ash Plug Tool Handle
140)	850-126 Legs - Cast Black
	850-127 Legs - Cast Gold
	850-128 Legs - Cast Brush Nickel
142)	850-125 Legs - Steel Black
948-216	Logo - Regency
918-154b	Manual

*Not available as a replacement part.

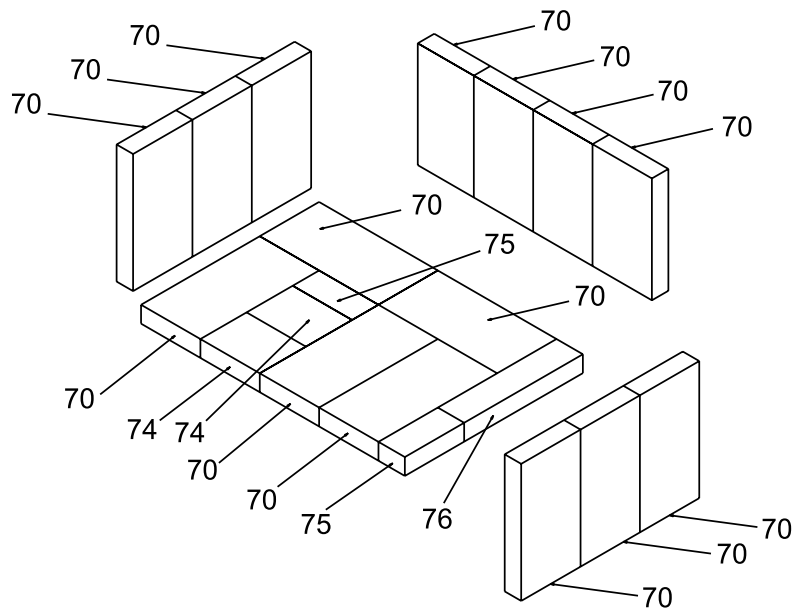
INSTALL EITHER "BOTTOM SHIELD (OPTION)" OR "PEDESTAL (OPTION)"

BOTTOM SHIELD WITH BLACK CAST LEGS ARE ALREADY INCLUDED IN F2101, F3101



FIREBRICK

Part#	Description
70) 902-111	Brick - Regular Full Size: 1-1/4" x 4-1/2" x 9"
74) 802-147	Brick Partial: 1-1/4" x 4-1/2" x 3-1/2"
75) 802-122	Brick Partial: 1-1/4" x 4-1/2" x 2"
76) 802-152	Brick Partial: 1-1/4" x 2" x 9"





Regency Fireplace Products are designed with reliability and simplicity in mind. In addition, our internal Quality Assurance Team carefully inspects each unit thoroughly before it leaves our door. Regency Industries Ltd. is pleased to extend this limited lifetime warranty to the original purchaser of a Regency Product. This warranty is not transferable.

The Warranty: Lifetime

Covered under the agreement are the following components:

Firebox, ceramic baffle, vermiculite baffle, convector airmate, castings, ashdrawer, glass (thermal breakage) gold plating (against defective manufacture), airtubes (against warpage) and door handles.

Special Finishes - One year on brushed nickel, louvers and doors. You can expect some changes in color as the product "ages" with constant heating and cooling. FPI warranties the product for any manufacturing defects on the original product. However, the manufacturers warranty does not cover changing colors and marks, i.e.. finger prints, etc applied after the purchase of the product. Damage from the use of abrasive cleaners is not covered by warranty.

The above will be covered for parts and subsidized labour for the first five years and parts only thereafter with the exception of the fireboxes (see below).

FPI is not liable for freight or labor on any wood burning appliance replaced in field.

Electrical components such as blowers, switches and thermodisc's are covered for one year from the date of purchase.

Conditions:

Any part or parts of this unit which in our judgement show evidence of such defects will be repaired or replaced at Regency's option, through an accredited distributor or agent provided that the defective part be returned to the distributor or agent **Transportation Prepaid**, if requested.

It is the general practice of FPI to charge for larger, higher priced replacement parts and issue credit once the replaced component has been returned to FPI and evaluated for manufacturer defect.

The authorized selling dealer is responsible for all in-field service work carried out on your Regency product. FPI will not be liable for results or costs of workmanship from unauthorized service persons or dealers.

At all times FPI reserves the right to inspect product in the field which is claimed to be defective.

All claims must be submitted to FPI by authorized selling dealers. It is essential that all submitted claims provide all of the necessary information including customer name, pur□

Exclusions:

This limited Lifetime Warranty does not extend to or include paint, door or glass gasketing, firebrick or trim. It does not cover installation and operational related problems such as over-firing, use of corrosive driftwood, downdrafts or spillage caused by environmental conditions, nearby trees, buildings, hilltops, mountains, inadequate venting or ventilation, excessive offsets, negative air pressures caused by mechanical systems such as furnaces, fans, clothes dryers etc.

At no time will FPI be liable for any consequential damages which exceed the purchase price of the unit. FPI has no obligation to enhance or modify any unit once manufactured. i.e. as products evolve, field modifications or upgrades will not be performed.

FPI will not be liable for travel costs for service work.

Installation and environmental problems are not the responsibility of the manufacturer and therefore are not covered under the terms of this warranty policy.

Any unit which shows signs of neglect or misuse is not covered under the terms of this warranty policy.

The warranty will not extend to any part which has been tampered with or altered in any way, or in our judgment has been subject to misuse.

Freight damag□

FPI will not be liable for acts of God, or acts of terrorism, which cause malfunction of the appliance.

Performance problems due to operator error will not be covered by this warranty policy.

Products made or provided by other manufacturers and used in conjunction with the operation of this appliance without prior authorization from Regency, may nullify your warranty on this product.

* Subsidy according to job scale as predetermined by FPI.



Regency fireplace products are designed with reliability and simplicity in mind. In addition, our internal Quality Assurance Team carefully inspects each unit thoroughly before it leaves our door.

Fireplace Products International Ltd. is pleased to extend this Limited Lifetime Warranty to the original purchaser of a Regency Product.

See the inside back cover for details.

Register your Regency online at
<http://www.regency-fire.com>

Installer: Please complete the following information

Dealer Name & Address: _____

Installer: _____

Phone #: _____

Date Installed: _____

Serial No.: _____