



Beyond fire...

www.osburn-mfg.com

Wood



Pellet



*High quality
and unique
design for
your
comfort*

1,50\$
2010 Version

Beyond fire...

Osburn is committed to making sure you get the most out of your heater for many years to come. And there's more to them than the warmth and the cozy atmosphere they provide. We adhere fully to environmental protection principles; all of our wood and pellet stoves are therefore EPA-certified*. We also know that a wood or pellet stove can be elegant and highly efficient at the same time. That's exactly what you'll discover in our innovative models that combine durability and environmentally-friendly features with a distinctive look, all thanks to the extensive work and resources we have put into the design of our appliances, which includes using highly-advanced 3D software programs such as Solid-Edge. When you choose an Osburn product, you don't have to make any compromises.

A shared pride

From the shaping of the steel to the finishing touches of paint, our stoves are manufactured by means of high-tech robotized equipment, such as our ultra-rapid *Triumph* TC5000R punch, cutting tables with advanced precision laser technology, and tireless high-precision robot painter. Our products meet the highest quality standards in the world and are made available through a select network of specialized retailers who will give you the advice you need. Whether you choose a wood or pellet stove, you'll be as proud to own an Osburn product as we are to present you here with our most recent collection.



Osburn's new headquarters located west of Quebec City, Canada.

* Environmental Protection Agency – a U.S. agency that sets standards for atmospheric polluting emissions. These standards are currently in effect in the United States, British Columbia, Quebec, Nova Scotia, and Newfoundland (July 2008).



Beyond fire...
www.osburn-mfg.com

Summary

Wood Heating and the environment 4

Wood stoves

900 NEW	5
1100	6
1500	7
1600	8
1800	9
2000	10
2200	11
2300	12
2400	13



Wood inserts

1100 insert	14
1600 insert	15
1800 insert	16
2000 insert NEW	17
2200 insert	18
2400 insert	19



Zero clearance wood fireplace

Stratford	20
-----------------	----



About pellet heating

..... 21

Pellet stove

Hybrid-45MF	22
-------------------	----



Osburn limited Lifetime Warranty

..... 23

Technical data and clearances to combustible materials

Pellet stove	24
Wood stoves and inserts	25, 26
Zero clearance wood fireplace	27

Accessories / Approvals

..... 28



All Osburn appliances are
EPA
approved

Some of them are also
EPA ≤ 4.5
g/h
& Washington State Approved

Look for the right size of appliances

X-S

S

M

L

X-L



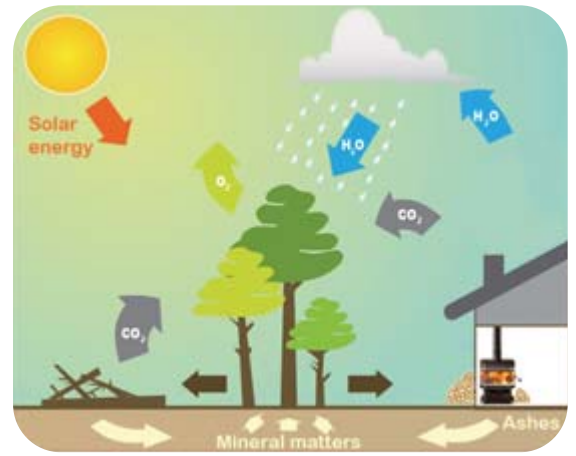
Wood Heating and the environment

When oil, gas, and coal are burned, the carbon they contain is oxidized to carbon dioxide (CO₂), the main greenhouse gas. In effect, the combustion of fossil fuels releases ancient carbon (carbon that has been buried within the earth for thousands of years), thereby increasing the atmospheric concentration of carbon dioxide (CO₂). In comparison, wood combustion can be considered carbon neutral because trees absorb CO₂ as they grow. This process is called carbon sequestration. Approximately one ton of carbon is sequestered for each cubic meter of wood. When trees mature, die, fall in the forest and decompose, the same amount of carbon is emitted as would be released if they were burned for heat. This cycle can be repeated forever without increasing atmospheric carbon. A healthy forest is not a museum, but a living community of plants and animals. When trees are used for energy, a part of the forests carbon "bank" is diverted from the natural decay and forest cycle into our homes to heat them. When we



heat with wood, we are simply tapping into the natural carbon cycle in which CO₂ flows from the atmosphere to the forest and back. The key to ecologically sound and sustainable wood energy use is to ensure that the forest remains healthy, maintains a stable level of variously aged trees and provides a good habitat for a diversity of other species, both plants and animals. Ensuring there is a healthy fuelwood market is key to a sustainable forestry plan. Landowners have more incentive to remove low value trees and manage their forests sustainably knowing there is a market for this low value material.

Carbon cycle



The combustion of wood produces small particles that are called PM_{2.5}. Those particles are 30 times smaller than a human hair. They can aggravate certain lung and heart diseases and have been linked with health problems such as asthma. Sources of PM_{2.5} include combustion under various forms, such as the one used for cars and trucks, wood heating, as well as other industrial processes. While it is true that old technology like open fireplaces and simple heaters could not burn the wood completely, the new generation of wood-burning appliances are designed to burn particles. They produce almost no visible smoke. The wood-heating industry has evolved. The vast majority of appliances sold on the market now meet the particles emissions limits set by the US Environmental Protection Agency as well as the Canadian standard CSA B415.1. For example, the Environmental Protection Agency, better known as EPA, limits emissions of certified wood heating appliances to no more than 7.5 grams per hour. In comparison, older conventional wood appliances average 40 grams per hour. Numerous countries, provinces and municipalities, have adopted laws that regulate the sale of wood-heating appliances that do not meet the latest standards in terms of particles emissions. Among them, we can name the United States, Australia, New Zealand, as well as numerous countries that are part of the European Union. In Canada, British Columbia, Quebec, Nova Scotia, and Newfoundland have also introduced laws regulating the sale of wood-heating appliances.

Wood, when burned in an appliance that has been tested to the EPA or CSAB415.1 standards, emits up to 90% less particles. It is a clean, renewable energy source. Furthermore, the reduction in fuelwood consumption reaches up to 33% when advanced wood combustion systems are used. This is because certified wood appliances are 60% to 80% efficient, compared with 40% to 60% for conventional units. As for appliances burning wood pellets, they have amongst the lowest particulate emissions of all solid-fuel burning appliances. They are manufactured from waste products and other renewable resources right here in North America. They represent a huge source of heating fuel from material that would otherwise be sent to landfills.



Example of particles* emissions of a wood stove

 <p>30-50 grams / h</p> <p>Non-certified unit</p>	 <p>2-7 grams / h</p> <p>EPA certified unit</p>
<p>Overall efficiency**</p> <p>40-60% 60-80%</p>	
<p>* Fine particles < 2.5 microns ** Combustion and heat transfer efficiency</p>	

Osburn is proud to present its 900 model, the smallest wood stove in the Osburn range. The 900 still incorporates the features and the technology of the larger Osburn stoves. This EPA stove packs a lot of heat with style! With an output of up to 40.000BTU/hr, this sturdy little heater will keep you warm and toasty. In spite of its size, the Osburn 900 takes an adequate log length of 17", making it an admired option in the small stove market.

900

X-S



900 with black door, on legs

Features

Heating capacity	250 to 1000 sq. ft.*
Firebox volume	1,3 cu. ft.
BTU/hr., EPA test wood	26,100
BTU/hr., seasoned cord wood	40,000
Exterior dimensions	25 3/4"H x 23"W x 20 1/4"D
Maximum log length	17"

(See complete technical data on page 25 and 26)

Options

Ultra-quiet blower with variable speed

Thermodisc for blower

* See note 1 on page 26

The Osburn 1100 stove offers a wide range of possible configurations. It is primarily a freestanding model with pedestal or legs (black, gold or brushed nickel plated) as options, but it can also be easily placed in an alcove or fireplace because its back face is angled at 45°. The top air hood improves heat distribution, regardless of where the stove is installed. The Osburn 1100 burns standard 16" logs and has a burn time of up to five hours in slow combustion mode*. Overall, this versatile and compact wood stove gives a most impressive performance.

1100

S



1100 on black legs with brushed nickel door

Features

Heating capacity	500 to 1400 sq. ft.*
Firebox volume	1,5 cu. ft.
BTU/hr., EPA test wood	35,000
BTU/hr., seasoned cord wood	50,000
Exterior dimensions	29"H x 23 3/8"W x 23 3/8"D
Maximum log length	16"
Ash drawer with safety lid	Standard
Mobile home approved	Yes**

(See complete technical data on page 25 and 26)

Options

Ultra-quiet 130 CFM blower
Door; painted black, golden fire brown, gold or brushed nickel plated
Pedestal or cast iron legs (painted black, gold or brushed nickel plated)
Adapter for fresh air kit (5" diameter)

* See note 1 on page 26
 ** See note 2 on page 26



1100 on pedestal with black door



1100 on gold legs with gold door

Like its big brother, the 2300, the Osburn 1500 has a high-quality 1/8" stainless steel baffle. With its 55,000 BTU/hr performance and compact firebox, this stove is easy to light, providing quick heat. In addition, its reduced exterior dimensions and minimal clearance requirements make it an ideal choice for small spaces. The 1500 model is part of our new, easy to identify family of wood stoves with doors bearing the Osburn logo.

S

1500



1500 with brushed nickel door



1500 with gold door



1500 with black door



Features

Heating capacity	500 to 1500 sq. ft.*
Firebox volume	1,5 cu. ft.
BTU/hr., EPA test wood	44,000
BTU/hr., seasoned cord wood	55,000
Exterior dimensions	27 1/2"H x 25 1/2"W x 20 1/2"D
Maximum log length	19"
Ultra-quiet blower with variable speed	Standard
Ash drawer with safety lid	Standard
Mobile home approved	Yes**

(See complete technical data on page 25 and 26)

Options

Door; painted black, gold or brushed nickel plated
Thermodisc for blower
Adapter for fresh air kit (5" diameter)

* See note 1 on page 26
 ** See note 2 on page 26

With its perfect balance between power, efficiency and cleanliness, the Osburn 1600 wood stove is truly unique. Able to heat up to 1,800 square feet with a performance of 65,000 BTU/hr it is also environmentally friendly with emissions as low as 0.87 g/hour, well below EPA standards. No compromise is necessary with the 1600 - you choose a pedestal or cast iron legs, then you select a black door, a golden fire brown door, a gold plated door or a brushed nickel plated door. Whatever your choice, you'll have a beautifully balanced wood stove.

1600

M



1600 on pedestal with brushed nickel door

Features

Heating capacity	500 to 1800 sq. ft.*
Firebox volume	1,85 cu. ft.
BTU/hr., EPA test wood	42,600
BTU/hr., seasoned cord wood	65,000
Exterior dimensions	29 1/2"H x 25"W x 27"D
Maximum log length	17"
Ash drawer with safety lid	Standard
Mobile home approved	Yes**

(See complete technical data on page 25 and 26)

Options

Ultra-quiet 130 CFM blower
Door; painted black, golden fire brown, gold or brushed nickel plated
Pedestal or cast iron legs (painted black, gold or brushed nickel plated)
Adapter for fresh air kit (5" diameter)

* See note 1 on page 26
 ** See note 2 on page 26



1600 on pedestal with gold door



1600 on pedestal with black door

The 1800/2200 series symbolizes Osburn's elegance and technical know-how. The 1800/2200 series wood stoves are the company's flagship line, and their distinctive bay windows – an exclusive feature on an EPA-certified stove – provide a unique view of the wood fire. All the stoves in this series are equipped with detachable trivets and practical covered ashtrays. You can also match them to your décor by selecting one of seven possible combinations of door and moulding finishes (black, gold or brushed nickel).

M

1800



1800 with black door



1800 with gold door, louver and trivet



Ash drawer with safety lid

Features

Heating capacity	500 to 1800 sq. ft.*
Firebox volume	1,8 cu. ft.
BTU/hr., EPA test wood	36,300
BTU/hr., seasoned cord wood	65,000
Exterior dimensions	28 3/4"H x 23 1/4"W x 22 1/4"D
Maximum log length	16"
Ash drawer with safety lid	Standard
Mobile home approved	Yes**

(See complete technical data on page 25 and 26)

Options

Ultra-quiet 130 CFM blower
Adapter for fresh air kit (5" diameter)
Door, louver and trivet; painted black, gold or brushed nickel plated

* See note 1 on page 26

** See note 2 on page 26

The Osburn 2000 is one of the latest additions to the Osburn family of wood stoves. Its cast-iron door, which features the distinctive lines you've come to expect from Osburn, gives it a look combining the contemporary and the traditional. With a 2.3 cubic foot firebox, the Osburn 2000 will delight the most serious of wood stove enthusiasts who want both style and heating power. Also equipped with a 130 CFM blower, the Osburn 2000 is the most sought-after model of the season!

2000

M



2000 with gold door

Features

Heating capacity	500 to 2100 sq. ft.*
Firebox volume	2,3 cu. ft.
BTU/hr., EPA test wood	49,000
BTU/hr., seasoned cord wood	75,000
Exterior dimensions	31 1/2"H x 27"W x 26"D
Ultra-quiet 130 CFM blower with variable speed control	Standard
Maximum log length	20"
Ash drawer with safety lid	Standard

(See complete technical data on page 25 and 26)

Options

Door; painted black, golden fire brown, gold or brushed nickel plated
Thermodisc for blower
Adapter for fresh air kit (5" diameter)

* See note 1 on page 26



2000 with black door



2000 with brushed nickel door

Although similar in many respects to the 1800 model, the 2200 stove is more suited to more intensive, continuous use. Its 20% larger firebox is designed to maintain steady heat over a longer period. A powerful, ultra-silent 130 CFM fan is available as an option. The glass surface of the bay window is also 20% larger than that of the 1800 model, providing a wonderful view of the fire from every angle. In short, the Osburn 2200 offers a perfect combination of utility and enjoyment!

2200

M



2200 with brushed nickel door, louver and trivet



2200 with black door, louver and trivet



2200 with gold door, louver and trivet

Features

Heating capacity	500 to 2000 sq. ft.*
Firebox volume	2,2 cu. ft.
BTU/hr., EPA test wood	30,400
BTU/hr., seasoned cord wood	70,000
Exterior dimensions	30 5/8"H x 25 5/8"W x 25 3/4"D
Maximum log length	18"
Ash drawer with safety lid	Standard
Mobile home approved	Yes**

(See complete technical data on page 25 and 26)

Options

Ultra-quiet 130 CFM blower
Adapter for fresh air kit (5" diameter)
Door, louver and trivet; painted black, gold or brushed nickel plated

* See note 1 on page 26
 ** See note 2 on page 26

The 2300 model, one of our new-generation wood stoves, comes from the drawing board to you, backed by the advanced technology of *Solid-Edge*, a 3-D software design program. It features an aesthetically pleasing cast-iron door complete with the Osburn logo, hidden latch and hinges, and extra-large glass window. Each 2300 model is equipped with an ultra-quiet crossflow blower. The secondary air pipes are integrated into the 1/8" stainless steel baffle to give rigidity that withstands even the severest conditions and to ensure combustion of the highest quality. Read on to find out more about the sophisticated qualities and distinctive look of the 2300.

2300

L



2300 with brushed nickel door on legs

Features

Heating capacity	500 to 2300 sq. ft.*
Firebox volume	3,1 cu. ft.
BTU/hr., EPA test wood	30,800
BTU/hr., seasoned cord wood	85,000
Exterior dimensions	31 1/2"H x 23 3/4"W x 30"D
Maximum log length	20"
Ultra-quiet blower with variable speed	Standard
Ash drawer with safety lid	Standard
Mobile home approved	Yes**

(See complete technical data on page 25 and 26)

Options

Door; painted black, golden fire brown, gold or brushed nickel plated
Thermodisc for blower
Pedestal or cast iron legs (painted black, gold or brushed nickel plated)
Adapter for fresh air kit (5" diameter)

* See note 1 on page 26. ** See note 2 on page 26



Ash drawer with safety lid

SSB
Stainless Steel Baffle



Some of the Osburn 2400's impressive features include a 3.2 cubic foot firebox; a heating capacity of up to 2,700 square feet*; 12.5" of clearance in the firebox, which can accept logs up to 21"; and a burn time of up to 10 hours in slow combustion mode*. In addition to its impressive performance, the 2400 is environmentally efficient, with emissions as low as 1.6 g/hour (in medium-high combustion mode). If you're looking for a large wood stove for your home or weekend cottage, the Osburn 2400 is a perfect choice.

2400

X-L



2400 with gold door



2400 with black door



2400 with brushed nickel door

Features

Heating capacity	800 to 2700 sq. ft.*
Firebox volume	3,2 cu. ft.
BTU/hr., EPA test wood	40,900
BTU/hr., seasoned cord wood	100,000
Exterior dimensions	31"H x 30"W x 30 1/2"D
Maximum log length	21"
Ash drawer with safety lid	Standard
Mobile home approved	Yes**

(See complete technical data on page 25 and 26)

Options

Ultra-quiet 130 CFM blower
Door; painted black, gold or brushed nickel plated
Adapter for fresh air kit (5" diameter)

* See note 1 on page 26
 ** See note 2 on page 26

The 1100 insert is the ready-made solution for smaller stone fireplaces. With its back face at a 45° angle, it offers a wide range of configurations. The floor of its firebox is 2.5 inches deep, allowing greater accumulation of ashes and cleaner use. The 1100 insert also comes with a powerful 130 CFM blower. You'll be amazed and delighted by the 50,000 BTU of heat it provides!

1100 insert

S

Wood inserts



1100 insert with gold door and brassy gold faceplate trims

Features

Heating capacity	500 to 1400 sq. ft.*
Firebox volume	1,5 cu. ft.
BTU/hr., EPA test wood	35,000
BTU/hr., seasoned cord wood	50,000
Exterior dimensions	21 1/2"H x 24"W x 22 1/2"D
Maximum log length	16"
Ultra-quiet 130 CFM blower with variable speed control	Standard

(See complete technical data on page 25 and 26)

Options

Door; painted black, golden fire brown, gold or brushed nickel plated
Faceplate trims ; black, brassy gold or nickel

* See note 1 on page 26



With its compact design, the 1600 insert can be installed in a fireplace as small as 14.5" deep. Even so, it offers a performance of up to 65,000 BTU/hr and burns 17" logs. The standard 130-CFM blower helps maximize the stove's energy performance, and the very low emission rate, even at normal operating temperatures, makes the 1600 insert an excellent choice for those seeking an environmentally friendly but ultra-efficient source of heat.

1600 insert

M

Wood inserts



1600 insert with brushed nickel door and black faceplate trims



1600 insert with gold door and brassy gold faceplate trims



1600 insert with black door and black faceplate trims

Features

Heating capacity	600 to 1600 sq. ft.*
Firebox volume	1,85 cu. ft.
BTU/hr., EPA test wood	42,600
BTU/hr., seasoned cord wood	65,000
Exterior dimensions	21 1/2"H x 24 1/8"W x 22"D
Maximum log length	17"

(See complete technical data on page 25 and 26)

Options

Door; painted black, golden fire brown, gold plated or brushed nickel plated
Faceplate trims ; black, brassy gold or nickel

* See note 1 on page 26.

Like their cousins in the 1800/2200 freestanding series, the 1800 series inserts offer the same tried-and-tested architecture and the same great features, including a magnificent view of the fire through the bay window. They are also equipped with a powerful blower, transforming your old, inefficient fireplace into a highly effective heating system. The 1800 series insert is both practical and elegant, and is a perfect choice for your living room or basement fireplace.

M

1800 insert

Wood inserts



1800 insert with gold door and brassy gold faceplate trims

Features

Heating capacity	500 to 1800 sq. ft.*
Firebox volume	1,8 cu. ft.
BTU/hr., EPA test wood	36,300
BTU/hr., seasoned cord wood	65,000
Exterior dimensions	19"H x 23"W x 15"D
Maximum log length	16"
Ultra-quiet 100 CFM blower with variable speed control	Standard

(See complete technical data on page 25 and 26)

Options

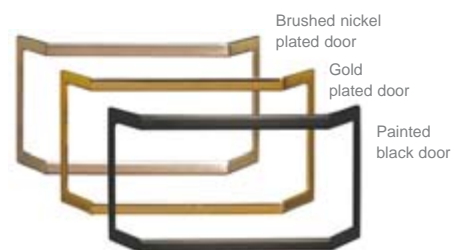
Door; painted black, gold plated or brushed nickel plated

Faceplate trims ; black, brassy gold or nickel

* See note 1 on page 26



1800 insert with black door and black faceplate trims



With its 2.3 cubic foot firebox, the Osburn 2000 insert offers an alternative to the people who love its freestanding counterpart. The two models share the same high quality combustion properties and many of the same features. The Osburn 2000 comes with a standard high-power, heat-activated 130CFM fan strategically positioned to redistribute the heat from the firebox into the room. The 2000 model is designed to receive an optional faceplate that can cover a masonry hearth up to 32 inches (81 cm) high and 50 inches (127 cm) wide. The door overlay is available in black, golden fire brown, gold plated or brushed nickel plated finishes. The faceplate trims are available in black, brassy gold, and nickel.

2000 insert

M



Wood inserts

2000 insert with gold door and brassy gold faceplate trims



2000 insert with brushed nickel door and nickel faceplate trims

Features

Heating capacity	500 to 2100 sq. ft.*
Firebox volume	2,3 cu. ft.
BTU/hr., EPA test wood	49,000
BTU/hr., seasoned cord wood	75,000
Exterior dimensions	22"H x 27"W x 26 1/2"D
Maximum log length	20"
Ultra-quiet 130 CFM blower with variable speed control	Standard

(See complete technical data on page 25 and 26)

Options

Door; painted black, golden fire brown, gold plated or brushed nickel plated
Faceplate trims ; black, brassy gold or nickel

* See note 1 on page 26

The 2200 insert, with its focus on efficiency and elegance, is an excellent example of Osburn's know-how. The bay window adds a touch of elegance to your fireplace and also improves its heat output. The 2200 insert is designed to offer a long burn time in slow combustion mode, and can provide comfort for many hours – even overnight* – thanks among other things to its ultra-quiet blower. The Osburn 2200 insert – superior features in an eye-catching, high performance wood stove.

2200 insert

M

Wood inserts



2200 insert with black door and black faceplate trims

Features

Heating capacity	500 to 2000 sq. ft.*
Firebox volume	2,2 cu. ft.
BTU/hr., EPA test wood	30,400
BTU/hr., seasoned cord wood	70,000
Exterior dimensions	22 1/4"H x 25 3/4"W x 17 1/2"D
Maximum log length	18"
Ultra-quiet 130 CFM blower with variable speed control	Standard

(See complete technical data on page 25 and 26)

Options

Door; painted black, gold plated or brushed nickel plated
 Faceplate trims ; black, brassy gold or nickel

* See note 1 on page 26



2200 insert with gold door and brassy gold faceplate trims

The 2400 insert has the same firebox as its freestanding counterpart (page 13), and will transform any conventional decorative fireplace into a highly efficient heating system. Its 100,000 BTU/hr, combined with a 3.2 cubic foot firebox, will help you to rest easy during those long winter nights, and its large glass window offers a perfect view of the fire.

2400 insert

X-L

Wood inserts



2400 insert with gold door and black faceplate trims

Features

Heating capacity	800 to 2700 sq. ft.*
Firebox volume	3,2 cu. ft.
BTU/hr., EPA test wood	40,900
BTU/hr., seasoned cord wood	100,000
Exterior dimensions	22 1/2"H x 31"W x 30"D
Maximum log length	21"

(See complete technical data on page 25 and 26)

Options

Door ; painted black, gold or brushed nickel plated

Faceplate trims ; black, brassy gold or nickel

* See note 1 on page 26



2400 insert with black door and black faceplate trims

Here's what you've been hoping to find, a decorative and efficient wood fireplace that meets EPA particle emissions standards. That's saying a lot, but the Osburn Stratford has much more to offer, including a 2.5 cubic foot firebox that's easy to reach through double-cast iron doors. The Osburn Stratford will impress you with its distinctive style and exceptional heating capacity. Several options are available, including a forced air system for heating adjacent rooms. See the technical specifications of the Osburn Stratford – there's a world of possibilities waiting for you!

STRATFORD

M



Stratford with brushed nickel door and louver kit

Zero clearance wood fireplace

Features

Heating capacity	500 to 2100 sq. ft.*
Firebox volume	2,5 cu. ft.
BTU/hr., EPA test wood	30,500
BTU/hr., seasoned cord wood	75,000
Exterior dimensions	38"H x 36 3/4"W x 26"D
Maximum log length	19"
Two ultra-quiet heat activated 75 CFM blowers	Standard

(See complete technical data on page 27)

Options

Adapter for fresh air kit (3" diameter)
Door and louver kit ; painted black, gold or brushed nickel plated
Hot air gravity kit
Forced air kit
Fire screen door

* See note 1 on page 26



Stratford with gold door and louver kit



Stratford with black door and louver kit

About pellet heating

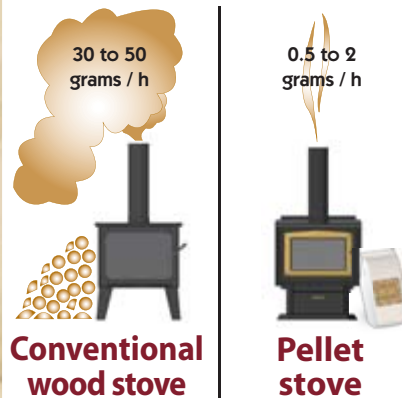
Pellet stoves offer a dramatic improvement in the convenience of heating with solid fuel. Wood pellets are handled in bags and are therefore easily and cleanly stored. A single loading of a pellet stove can provide long hours of warmth. Pellet stoves also provide a special comfort associated with wood burning. The combination of fans delivering warm air currents and the direct comfort of radiant heat provides special satisfaction on a cold winter day. The heat provided is even and constant, due to the auto fuel feed responding to owner settings. Pellet stoves also offer strong environmental benefits; pellets not only reduce dependence on finite supplies of fossil fuels like oil and gas, but they also put to good use materials that would otherwise unnecessarily and expensively add to our waste disposal problems.

In addition, pellet stoves burn very cleanly and offer the lowest emissions of unwanted pollutants of all solid fuel burning appliances.

TOP 10 REASONS FOR BUYING A PELLESTOVE

- Fuel is relatively cheap, easy to handle and store
- Installation is relatively inexpensive and flexible
- Can be thermostatically controlled
- Can run for long hours without the need to refuel
- Heat output is steady because fuel feed is regulated
- Provides powerful convection heat
- Has the lowest emissions of all solid fuels
- Reduces our dependence on fossil fuels
- Pellets are a renewable fuel
- Wood pellets are made of 100% residual matter (saw dust). This creates added-value from waste that would otherwise end up in a landfill.

Example of particles* emissions of a pellet stove



Overall efficiency**
40-60% 75-85%

* Fine particles < 2.5 microns
** Combustion and heat transfer efficiency



Osburn has designed the Hybrid 45-MF pellet stove with its modern and distinctive bay window look. The Hybrid-45MF pellet stove, with patented COMBEX technology, gives you all the advantages of wood pellet heat: easy to use, 45-hour autonomy, thermostatic control, electronic lighting, energy economy, and extraordinary heat and cleanliness. The COMBEX system balances combustion air and uptake to provide clean, worry-free combustion which is less dependent on the leaktightness of the device and the quality of the combustible.

HYBRID-45MF



Hybrid-45MF with gold door

Features

Recommended heating area	up to 2200 sq. ft.*
Heating capacity	45,000 BTU
Hopper capacity	60 lbs
Ash drawer	Standard
Electronic igniter	Standard
Thermostatic or manual mode option	Yes
Mobile home approved	Yes**

(See complete technical data on page 24)

Options

Door; painted black, gold or brushed nickel plated
Louver; black, gold or brushed nickel plated
Decorative log set
Remote control
Fresh air kit (3" diameter)

* See note 1 on page 26
 ** See note 2 on page 26



Unique patented technology



Decorative log set

Osburn Limited Lifetime Warranty on Robax Ceramic Glass

The **OSBURN-SCHOTT ROBAX** system is one of the highest quality glass and heater product combination on the market. This allows OSBURN to offer a Limited Lifetime Warranty on Robax ceramic glass for all OSBURN appliances.

Conducted consumer studies identify that people want an unobstructed view of the fire, but without compromising safety. The glass “shield” is seen as the needed protection from the fire’s unpredictable aspects. OSBURN chose the SCHOTT ROBAX solution delivering all of the benefits that a consumer wants out of a fire but without the risks associated to it.

Because the way the entire system works together (SCHOTT ROBAX ceramic glass and OSBURN technology), it is the most efficient glass solution available in the market given its high IR transmission values and its high temperature resistance. A high IR transmission means that the heat produced inside the fire box is transferred through the glass more efficiently. The OSBURN-SCHOTT ROBAX ceramic glass can withstand the highest temperatures of any glass on the market.

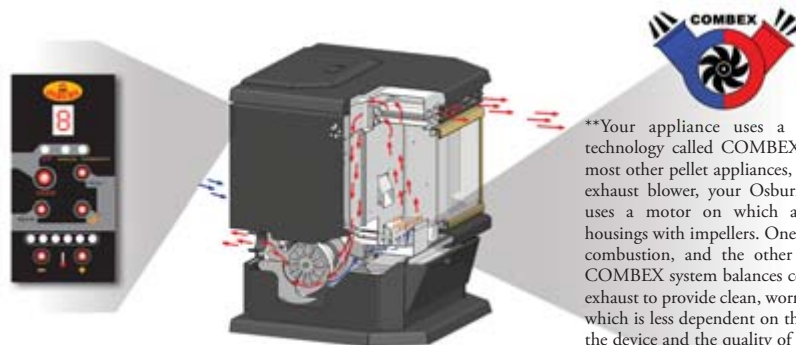
For more details go to:

www.osburn-mfg.com



General features : Freestanding pellet stove

MODEL	Hybrid-45MF stove
Color	Metallic black
Combustion autonomy on low	45 hours*
Maximum recommended heating area (note 1, page 26)	2,200 sq. ft.
BTU/H maximum	45,000
BTU/H minimum	8,200
Loading capacity	60 lbs (27 kg)
Choice of thermostatic or manual mode	Yes
Combustion technology	COMBEX**
Number of intensity levels	6
Electronic igniter	Yes
Glass viewing area	265 sq. in.
Approved vent diameter	3" or 4"
Glass type	Ceramic glass
Ash drawer	Yes
Mobile home approved (note 2, page 26)	Yes
Warranty	Limited lifetime
Emissions (g / hr.) - EPA	1.2 g / hr.
Optimum efficiency	78%
Noise level at six feet (min / max)	50 dB / 55 dB (+/- 3 dB)
Test standard - Safety (USA and Canada)	ASTM-E1509, ULC S627, UL1482
Test standard - Emissions / efficiency	EPA / CSA B415.1
Exterior dimensions and weight	
Height	30.5"
Width	27"
Depth	25.5"
Weight	230 lbs (105 kg)
Clearances from unit to combustible materials	
1- Sides	6"
2- Back wall	2"
3- Corners	2"
Minimum width of floor protector	39"
Minimum floor protection in front of unit	6"
Options	
Door overlay	
Black door overlay	Optional
24K gold plated door overlay	Optional
Brushed nickel plated door overlay	Optional
Heat distribution louver	
Black louver	Optional
24K gold plated louver	Optional
Brushed nickel louver	Optional
Other	
Decorative log set	Optional
Fresh air kit (3" diameter)	Optional
Sealing box for fresh air kit	Optional
Decorative masonry-like panels	Standard
3" ground floor venting kit	Optional
4" basement venting kit	Optional
Remote control	Optional



**Your appliance uses a unique patented technology called COMBEX. As opposed to most other pellet appliances, which use only an exhaust blower, your Osburn pellet appliance uses a motor on which are mounted two housings with impellers. One housing serves for combustion, and the other for exhaust. The COMBEX system balances combustion air and exhaust to provide clean, worry-free combustion which is less dependent on the leak-tightness of the device and the quality of the combustible.

General features : freestanding wood stoves & inserts

MODELS	900 Stove	1100 Stove & 1100 Insert	1500 Stove	1600 Stove & 1600 Insert	1800 Stove & 1800 Insert	2000 Stove & 2000 Insert	2200 Stove & 2200 Insert	2300 Stove	2400 Stove & 2400 Insert
Color	Metallic Black	Metallic Black	Metallic Black	Metallic Black	Metallic Black	Metallic Black	Metallic Black	Metallic Black	Metallic Black
Burn time (Note 1)	3 to 7 hours	3 to 5 hours	3 to 5 hours	5 to 7 hours	5 to 7 hours	6 to 8 hours	6 to 8 hours	7 to 9 hours	8 to 10 hours
Combustion technology	Non-catalytic	Non-catalytic	Non-catalytic	Non-catalytic	Non-catalytic	Non-catalytic	Non-catalytic	Non-catalytic	Non-catalytic
Heating capacity (Note 1)	250 to 1,000 sq. ft.	500 to 1,400 sq. ft.	500 to 1,500 sq. ft.	500 to 1,800 sq. ft.	500 to 1,800 sq. ft.	500 to 2,100 sq. ft.	500 to 2,000 sq. ft.	500 to 2,300 sq. ft.	800 to 2,700 sq. ft.
BTU/hr., EPA test wood	261,100	35,000	44,000	42,600	36,300	49,000	30,400	30,800	40,900
BTU/hr., seasoned cord wood	40,000	50,000	55,000	65,000	65,000	75,000	70,000	85,000	100,000
Door opening size (W x H)	15" x 7 3/4"	15 1/2" x 8 1/2"	18 1/4" x 7"	15 1/2" x 8 1/2"	16 1/2" x 8 1/2"	17 1/2" x 9"	19" x 9"	15 1/2" x 10 1/2"	19 1/2" x 8 1/4"
Firebox dimensions (W x H x D)	18" x 12 1/2" x 9 1/4"	18" x 11 1/4" x 12 1/2"	20" x 10 1/2" x 12 1/2"	18" x 12" x 15"	17" x 11 1/2" x 14 1/2"	21" x 11 1/4" x 17 1/4"	19" x 11 1/2" x 17"	18 1/2" x 13 3/4" x 21"	23" x 12 1/2" x 19"
Firebox volume	1.3 cu. ft.	1.5 cu. ft.	1.5 cu. ft.	1.85 cu. ft.	1.8 cu. ft.	2.3 cu. ft.	2.2 cu. ft.	3.1 cu. ft.	3.2 cu. ft.
Emissions : weighted average, according to EPA tests	5.3 g/hr.	2.9 g/hr.	5.3 g/hr.	4.4 g/hr.	2.8 g/hr.	6.3 g/hr.	2.7 g/hr.	5.7 g/hr.	3.5 g/hr.
Emissions : minimum, according to EPA tests	3.7 g/hr.	1.6 g/hr.	3.1 g/hr.	0.9 g/hr.	2.5 g/hr.	5.9 g/hr.	2.2 g/hr.	1.4 g/hr.	1.6 g/hr.
Glass viewing area	103 sq. in.	125 sq. in.	115 sq. in.	125 sq. in.	215 sq. in.	145 sq. in.	265 sq. in.	155 sq. in.	175 sq. in.
Door frame	Cast iron w. logo	Cast iron w. logo	Cast iron w. logo	Cast iron w. logo	Steel	Cast iron w. logo	Steel	Cast iron w. logo	Cast iron w. logo
Optimum efficiency	17%	75%	85%	80%	16%	20%	18%	20%	21%
Mobile home approved (Note 2)	No	Yes	Yes	Yes	Yes	No	Yes	Yes	Yes
Flue spigot diameter									
Glass type									
Adjustable handle									
Self-cleaning glass system									
Ash drawer with safety lid									
Warranty									
Test standard - Safety									
Test standard - Emissions / efficiency									

Yes (freestanding stoves) except Osburn 900
Lifetime, limited
According to CSA, UL and ULC standards applicable in Canada and the United States
EPA / CSA B415.1

Specific features : freestanding stoves

MODELS	900 Stove	1100 Stove	1500 Stove	1600 Stove	1800 Stove	2000 Stove	2200 Stove	2300 Stove	2400 Stove
Height	25 3/4"	29"	27 1/2"	29 1/2"	28 3/4"	31 1/2"	30 5/8"	31 1/2"	31"
Width	23"	23 3/8"	25 1/2"	25"	23 1/4"	27"	25 3/8"	23 3/4"	30"
Depth	20 1/4"	23 3/8"	20 1/2"	27"	22 1/4"	26"	25 3/4"	30"	30 1/2"
Weight	174 lbs. (79 kg.)	250 lbs. (114 kg.)	300 lbs. (137 kg.)	348 lbs. (158 kg.)	331 lbs. (150 kg.)	410 lbs. (186 kg.)	442 lbs. (201 kg.)	388 lbs. (176 kg.)	540 lbs. (245 kg.)
Clearances from unit to combustible materials (figures 1 and 2, Page 26)									
With single wall pipe (Note 3)									
1- Side (Canada / USA)	18"	16"	12"	16"	17"	12"	17"	12"	17"
2- Back (Canada / USA)	15 1/2"	20"	15"	15 1/2"	15 1/2"	14"	13 1/2"	11"	14" / 16"
3- Corner (Canada / USA)	10"	14"	10"	12"	12"	7"	10"	8 1/2"	8" / 12"
With double wall pipe									
1- Side (Canada / USA)	18"	16 1/2"	12"	16" / 20"	19"	12"	20 1/2"	12"	15" / 17"
2- Back (Canada / USA)	15 1/2"	8 1/2"	5"	6"	10"	6"	6"	6"	7" / 12"
3- Corner (Canada / USA)	10"	6"	8"	6"	10"	5"	3"	8 1/2"	7" / 7"
Minimum width of floor protection	36"	40"	42"	41"	40"	43"	40"	40"	46"
Minimum floor protection in front of unit (Canada / USA)	18" / 16"	18" / 16"	18" / 16"	18" / 16"	18" / 16"	18" / 16"	18" / 16"	18" / 16"	18" / 16"
Options									
Blower	Optional	Optional	Standard	Optional	Optional	Standard	Optional	Standard	Optional
Door, painted black	Standard	Optional	Optional	Optional	Optional	Optional	Optional	Optional	Optional
Door, painted golden fire brown	N/A	Optional	N/A	Optional	N/A	Optional	N/A	Optional	N/A
Door, 24K gold plated	N/A	Optional	N/A	Optional	N/A	Optional	N/A	Optional	N/A
Door, brushed nickel plated	N/A	Optional	Optional	Optional	Optional	Optional	Optional	Optional	Optional
Pedestal	N/A	Optional	Standard	Optional	Standard	Standard	Standard	Optional	Standard
Legs, painted black	Standard	Optional	N/A	Optional	N/A	N/A	N/A	Optional	N/A
Legs, 24K gold plated	N/A	Optional	N/A	Optional	N/A	N/A	N/A	Optional	N/A
Legs, brushed nickel plated	N/A	Optional	N/A	Optional	N/A	N/A	N/A	Optional	N/A
Louver and trivet, black painted	N/A	N/A	N/A	N/A	Optional	N/A	Optional	N/A	N/A
Louver and trivet, 24K gold plated	N/A	N/A	N/A	N/A	Optional	N/A	Optional	N/A	N/A
Louver and trivet, brushed nickel plated	N/A	N/A	N/A	N/A	Optional	N/A	Optional	N/A	N/A

Technical data wood stoves and inserts

Specific features : wood inserts

MODELS	1100 insert	1600 insert	1800 insert	2000 insert	2200 insert	2400 insert
Exterior dimensions and weight						
Height	21 1/2"	21 1/2"	19"	22"	22 1/4"	22 1/2"
Width	24"	24 1/8"	23"	27"	25 3/4"	31"
Depth	22 1/2"	22"	26"	26 1/2"	27"	30"
Weight	250 lbs. (114 kg.)	360 lbs. (164 kg.)	315 lbs. (143 kg.)	380 lbs. (172 kg.)	366 lbs. (166 kg.)	545 lbs. (248 kg.)
Clearances to combustible materials (figure 3 below)						
A- Combustible side wall to unit	13"	16"	17"	13"	17"	14"
B- Combustible side trim to unit	9"	10"	10"	10"	10"	8"
C- Combustible top trim to unit	27"	15 1/2"	14"	22"	20 1/2"	20 1/2"
D- Combustible mantle to unit	27"	22"	22"	29"	22"	25 1/2"
E- Minimum floor protection in front of unit (CAN/USA)	18" / 16"	18" / 16"	18" / 16"	18" / 16"	18" / 16"	18" / 16"
F, G, H- Minimum fireplace opening (Height x Width x Depth)	22" x 25" x 14"	21 3/4" x 26" x 14 1/2"	19 1/4" x 25 1/4" x 15 1/4"	24" x 29" x 16 1/2"	22 1/2" x 28" x 17 3/4"	22 3/4" x 32" x 16 1/4"
Projection in the room, minimum / maximum	7" / 7"	4 1/2" / 8"	10 1/2" / 10 1/2"	8 3/4" / 10 3/4"	10 1/2" / 10 1/2"	4 1/4" / 7 3/4"
Faceplate dimensions						
Regular size	29" x 44"	29" x 44"	29" x 44"	29" x 44"	29" x 44"	29" x 44"
Medium size	N/A	32" x 44"	32" x 44"	N/A	32" x 44"	32" x 44"
Large size	N/A	32" x 50"	N/A	32" x 50"	32" x 50"	32" x 50"
Faceplate trim kit finish	Black, brassy gold or nickel	Black, brassy gold or nickel	Black, brassy gold or nickel	Black, brassy gold or nickel	Black, brassy gold or nickel	Black, brassy gold or nickel
Options						
Blower	Standard	Standard	Standard	Standard	Standard	Standard
Door, painted black	Optional	Optional	Optional	Optional	Optional	Optional
Door, 24K gold plated	Optional	Optional	Optional	Optional	Optional	Optional
Door, brushed nickel plated	Optional	Optional	Optional	Optional	Optional	Optional

Clearances to combustible materials

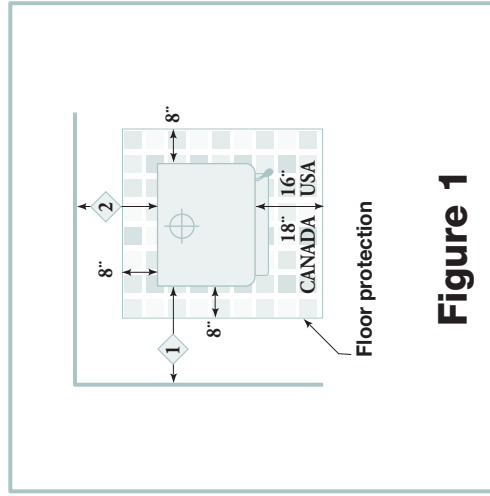


Figure 1

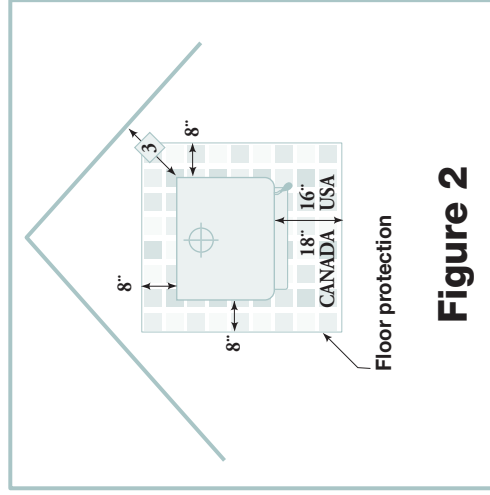


Figure 2

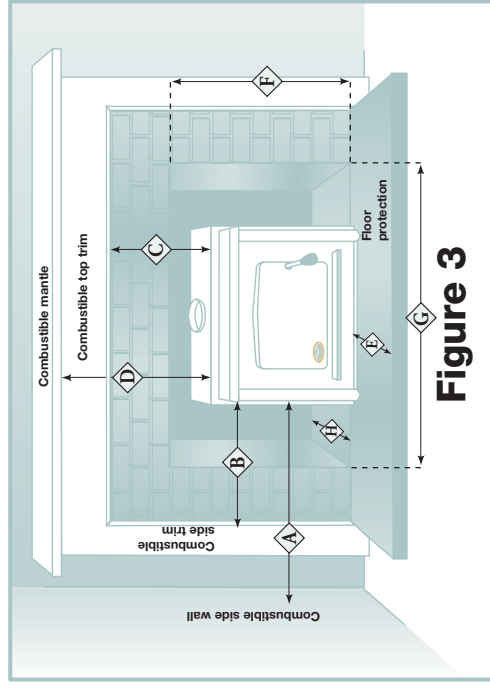


Figure 3

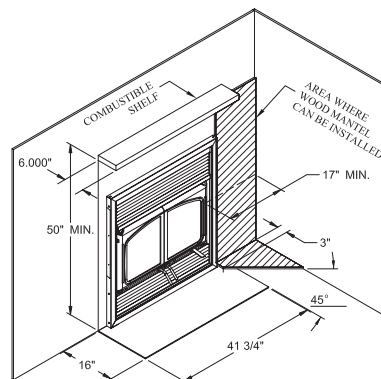
Note 1 : Combustion autonomy and heating capacity may vary subject to location in home, chimney draft, chimney diameter, locality, heat loss factors, climate, and fireplace opening specifications (inserts).

Note 2 : With fresh air kit, available with pedestal option only.

Note 3 : Consult local code for minimum clearances of the single wall pipe itself to combustible materials.

Specific features : zero clearance wood fireplace

MODEL	Stratford
Color	Metallic black
Burn time	6 to 8 hours
Combustion technology	Non-Catalytic
Maximum recommended heating area (see note 1, page 26)	500 to 2,100 sq. ft (with forced air kit)
Heating capacity - BTU/hr., EPA test wood	30,500
Heating capacity - BTU/hr., seasoned cord wood	75,000
Emissions ; weighted average according to EPA tests	4.4 g/hr.
Optimim efficiency	77%
Door opening dimensions (W x H)	25 1/4" x 11"
Firebox dimensions (W x D)	21" x 18"
Firebox volume	2.5 cu. ft.
Glass viewing area	275 sq. in.
Door frame	Double with cast iron with logo
Maximum log length	19"
Log positioning	East / West or North / South
Flue spigot diameter	6"
Minimum chimney height (from floor)	15'
Glass type	Ceramic glass
Warranty	Lifetime, limited
Test standard - Safety	ULC S610 / UL 127
Test standard - Emissions / efficiency	EPA / CSA B415.1
Clearances to combustible materials	
Side wall	17"
Back wall	0"
Sides	0"
Floor	0"
Ceiling	84"
Shelf (from floor)	50"
Side mantel	0"
Non combustible surround (top)	0"
Non combustible surround (sides)	0"
Exterior dimensions and weight	
Height	38"
Width	36 3/4"
Depth	26"
Weight	350 lbs (159 kg)
Options	
Door ; painted black, gold plated or brushed nickel plated	Optional
Louver kit ; painted black, gold plated or brushed nickel plated	Optional
3" adapter for fresh air kit	Optional
Hot air gravity kit	Optional
Forced air kit	Optional
Fire screen door	Optional
Listed chimneys, manufacturers, brands and types (See table below)*	



* Note : Technical data contained in this brochure are for reference only. Any installation must be done according to the data and drawings detailed in the Owner's manual. Specific components may be required depending on the chimney manufacturer.

Listed chimneys for Osburn Stratford

Manufacturers	Brands	Types *	Inner Diameter
Selkirk	Ultra-Temp (UT)	1" Solid Pack	6"
Selkirk	Super Pro (SPR)	1" Solid Pack	6"
Selkirk	Super Vent (JSC)	1" Solid Pack	6"
Sekirk	Hart & Cooley (TLC)	1" Solid Pack	6"
Selkirk	Sure-Temp (ST)	1" Solid Pack	6"
Selkirk	CF Sentinel (CF)	2" Solid Pack	6"
Selkirk	Super Pro 2100 (ALT)	2" Solid Pack	6"
Selkirk	Super Vent 2100 (JM)	2" Solid Pack	6"
Security Chimney	ASHT+	1" Solid Pack	6"
Security Chimney	S-2100	2" Solid Pack	6"
Simpson Dura-Vent	Dura Tech	1" Solid Pack	6"
Simpson Dura-Vent	Dura Plus HTC	2" Solid Pack	6"
Simpson Dura-Vent	Dura Plus	AC Triple Wall	6"
American Metal	Model HSS	AC Triple Wall	6"
American Metal	Model HS	AC Triple Wall	6"
ICC	Excel 2100	1" Solid Pack	6"



Beyond fire...

www.osburn-mfg.com

Regular maintenance of your wood or gas appliance will help maintain its performance over the years.

We recommend the use of tried-and-tested Osburn maintenance products.

Always use original seals, available from specialist vendors.

Thermometers for fluepipes (single or double wall) are also highly recommended.



Look for expert products at your nearest Osburn dealer.



All Osburn products are covered by a limited lifetime warranty.

Approvals : All Osburn appliances are independently approved by OMNI-Test Laboratories, Inc. All wood and pellets stoves or inserts, meet the emissions standards of the EPA (US Environmental Protection Agency).



250, rue de Copenhague
St-Augustin-de-Desmaures
Quebec (Canada) G3A 2H3
Telephone : (418) 878-3078
Fax : (888) 355-5067

Some changes may have been made to the products or technical data after the publication of this brochure. Osburn reserves itself the right to modify its products at any time without any obligation.

PUB047A
7 73388 99521 2