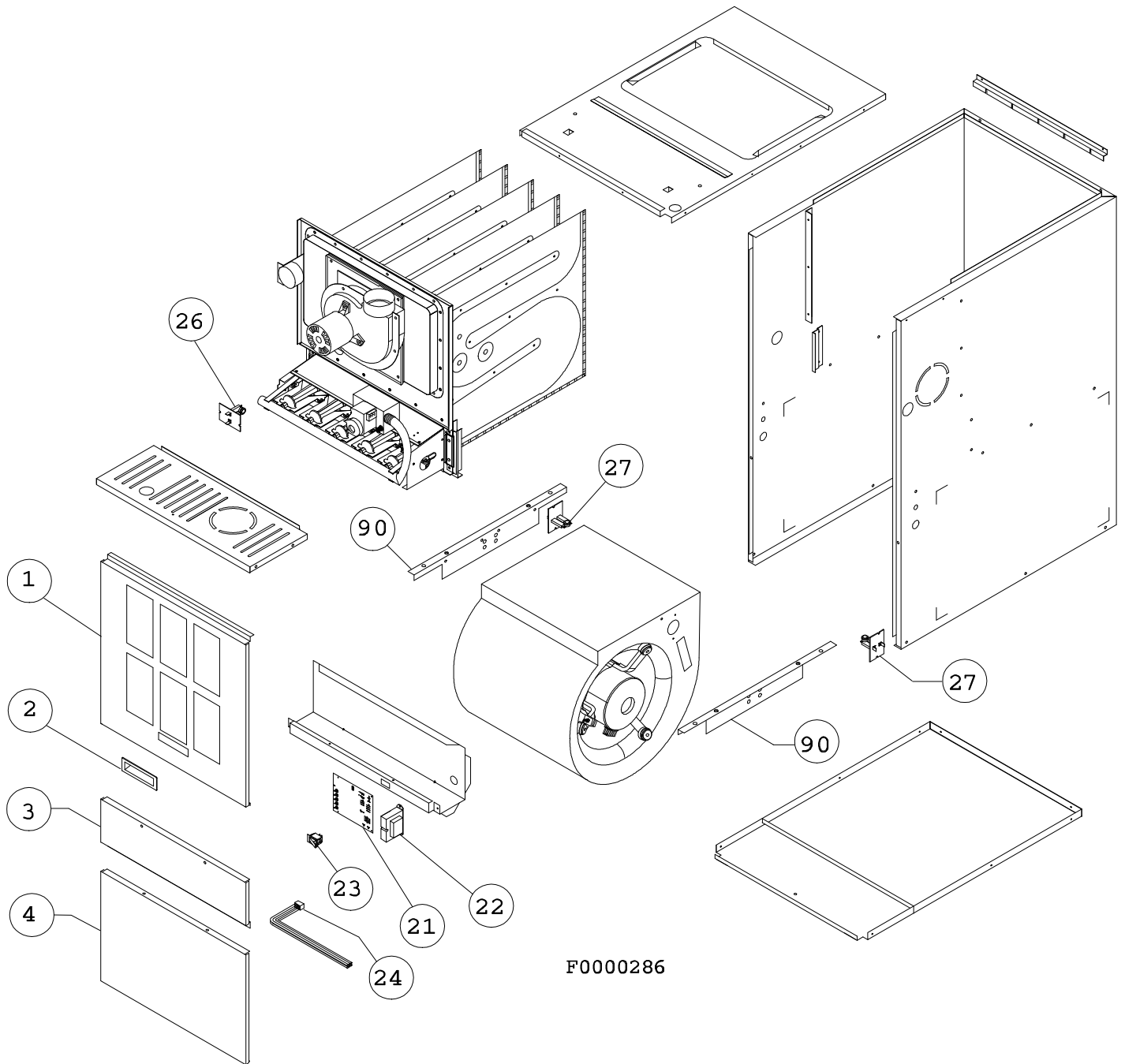
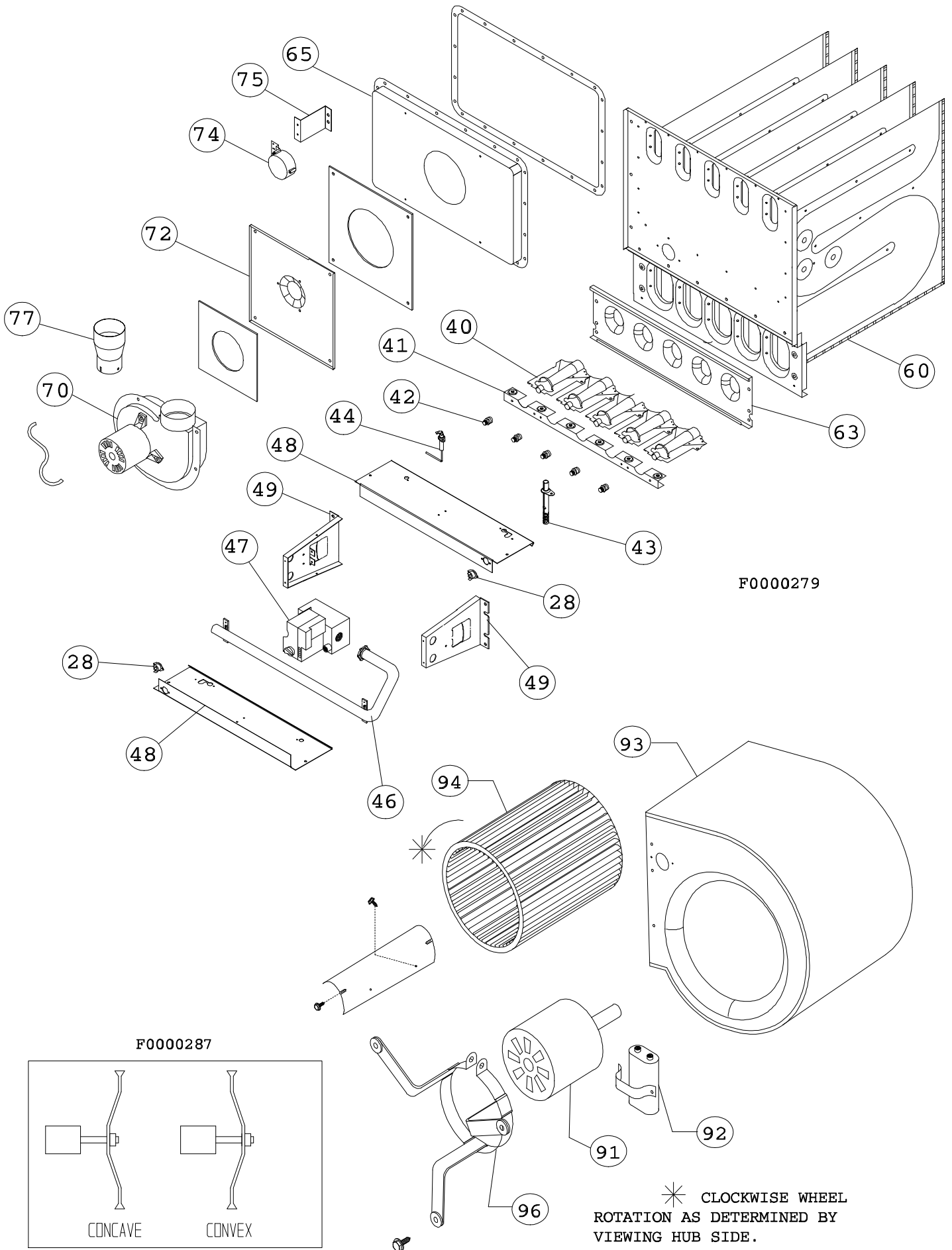


# MPGA-B-B MULTI-POISE NON-CONDENSING GAS FURNACE PARTS LIST

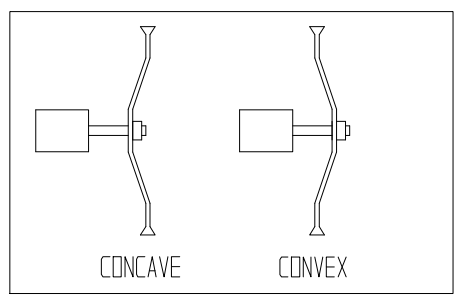


F0000286



F0000279

F0000287



\* CLOCKWISE WHEEL ROTATION AS DETERMINED BY VIEWING HUB SIDE.

## MPGA-B-B MULTI-POISE GAS FURNACE PARTS LIST

NO.	PART NAME	MODEL NUMBER						
		MPGA050B3B	MPGA075B3B	MPGA075B4B	MPGA100B3B	MPGA100B4B	MPGA100B5B	MPGA125B5B
		PART NUMBERS						
<b>CASING GROUP</b>								
1	FRONT DOOR	R20240201	R20240201	R20240202	R20240202	R20240202	R20240203	R20240203
2	DOOR HANDLE	R20269902	R20269902	R20269902	R20269902	R20269902	R20269902	R20269902
3	ACCESS DOOR	R20296525	R20296525	R20296526	R20296526	R20296526	R20296527	R20296527
4	BLOWER DOOR	R20240331	R20240331	R20240332	R20240332	R20240332	R20240333	R20240333
<b>ELECTRICAL GROUP</b>								
21	BOARD, IGNITION FAN CONTROL	R20549901	R20549901	R20549901	R20549901	R20549901	R20549901	R20549901
22	TRANSFORMER, 40 VA	R20298305	R20298305	R20298305	R20298305	R20298305	R20298305	R20298305
23	DOOR INTERLOCK SWITCH	R20541601	R20541601	R20541601	R20541601	R20541601	R20541601	R20541601
24	WIRE HARNESS, PRIMARY	R20550101	R20550101	R20550101	R20550101	R20550101	R20550101	R20550101
26	LIMIT CONTROL (160)	-----	-----	-----	R20001109	-----	-----	-----
26	LIMIT CONTROL (170)	-----	R20001103	R20001103	-----	-----	-----	-----
26	LIMIT CONTROL (180)	R20001110	-----	-----	-----	-----	-----	-----
26	LIMIT CONTROL (190)	-----	-----	-----	-----	R20001102	R20001102	R20001102
27	AUXILARY LIMIT CONTROL (130)	(2)R20299001	(2)R20299001	-----	(2)R20299001	-----	-----	-----
27	AUXILARY LIMIT CONTROL (140)	-----	-----	(2)R20001104	-----	(2)R20001104	(2)R20001104	(2)R20001104
28	ROLLOUT SWITCH (320)	-----	(2)R20017405	(2)R20017405	-----	-----	-----	-----
28	ROLLOUT SWITCH (350)	(2)R20017402	-----	-----	(2)R20017402	(2)R20017402	(2)R20017402	(2)R20017402
<b>GAS CONTROL GROUP</b>								
40	BURNER, INSHOT	(2)R20004601	(3)R20004601	(3)R20004601	(4)R20004601	(4)R20004601	(4)R20004601	(5)R20004601
41	SUPPORT, BURNER	R20004201	R20004202	R20004202	R20004203	R20004203	R20004203	R20004204
42	ORIFICE, NATURAL	(2)R20298102	(3)R20298102	(3)R20298102	(4)R20298102	(4)R20298102	(4)R20298102	(5)R20298102
43	IGNITOR	R20434202	R20434202	R20434202	R20434202	R20434202	R20434202	R20434202
44	SENSOR	R20467102	R20467102	R20467102	R20467102	R20467102	R20467102	R20467102
46	MANIFOLD	R20258401	R20258402	R20258402	R20258403	R20258403	R20258403	R20258404
47	GAS CONTROL, NATURAL	R20466804	R20466804	R20466804	R20466804	R20466804	R20466804	R20466804
48	TOP & BOTTOM SHIELD	(2)R20434301	(2)R20434302	(2)R20434302	(2)R20434303	(2)R20434303	(2)R20434303	(2)R20434304
49	MANIFOLD BRACKETS	(2)R20258202	(2)R20258202	(2)R20258202	(2)R20258202	(2)R20258202	(2)R20258202	(2)R20258202
<b>HEAT EXCHANGER GROUP</b>								
60	HEAT EXCHANGER	R20099401	R20099402	R20099405	R20099403	R20099403	R20099406	R20099404
63	PLATE, BURNER OPENING INLET	R20094001	R20094002	R20094002	R20094003	R20094003	R20094003	R20094004
64	GASKET SET, FLUE COLLECTOR BOX & INDUCER	R20430401	R20430401	R20430401	R20430402	R20430402	R20430402	R20430403
65	FLUE COLLECTOR BOX	R20095101	R20095101	R20095101	R20095102	R20095102	R20095102	R20095103

( ) NUMBER IN PARENTHESES IN FRONT OF PART NUMBER INDICATES QUANTITY REQUIRED.

## MPGA-B-B MULTI-POISE GAS FURNACE PARTS LIST

NO.	PART NAME	MODEL NUMBER						
		MPGA050B3B	MPGA075B3B	MPGA075B4B	MPGA100B3B	MPGA100B4B	MPGA100B5B	MPGA125B5B
		PART NUMBERS						
<b>INDUCER GROUP</b>								
70	INDUCER BLOWER	R20093602	R20093602	R20093602	R20093602	R20093602	R20093602	R20093602
72	INDUCER ADAPTER PLATE	R20095201	R20095202	R20095202	R20095203	R20095203	R20095203	R20095204
74	PRESSURE SWITCH -0.40	R20011140	R20011140	R20011140	R20011140	R20011140	R20011140	R20011140
75	BRACKET, PRESSURE SWITCH	R20097301	R20097301	R20097301	R20097301	R20097301	R20097301	R20097301
76	* KIT, PRESSURE SWITCH TUBE	R20282602	R20282602	R20282602	R20282602	R20282602	R20282602	R20282602
77	FLUE PIPE REDUCER (4" DIA. TO 3" DIA.)	R20098401	R20098401	R20098401	R20098401	R20098401	R20098401	R20098401
<b>BLOWER GROUP</b>								
90	LEG, BLOWER	(2)R20245201	(2)R20245201	(2)R20245201	(2)R20245201	(2)R20245201	(2)R20245201	(2)R20245201
91	MOTOR, 1/4 HP PSC 3 SPEED DIRECT DRIVE	-----	-----	-----	R20267101	-----	-----	-----
91	MOTOR, 1/3 HP PSC 3 SPEED DIRECT DRIVE	R20022501	R20022501	-----	-----	-----	-----	-----
91	MOTOR, 1/2 HP PSC 3 SPEED DIRECT DRIVE	-----	-----	R20022601	-----	R20022601	R20022601	R20022601
92	6.0 MFD CAPACITOR W/BOOT & CLAMP	-----	-----	-----	R20285601	-----	-----	-----
92	7.5 MFD CAPACITOR W/BOOT & CLAMP	R20285602	R20285602	-----	-----	-----	-----	-----
92	15.0 MFD CAPACITOR W/BOOT & CLAMP	-----	-----	R20285604	-----	R20285604	R20285604	R20285604
93	BLOWER HOUSING 10 X 9	-----	-----	-----	R20247603	-----	-----	-----
93	BLOWER HOUSING 10 X 6	R20247601	R20247601	-----	-----	-----	-----	-----
93	BLOWER HOUSING 12 X 9	-----	-----	R20535001	-----	R20535001	-----	-----
93	BLOWER HOUSING 12 X 12	-----	-----	-----	-----	-----	R20535002	R20535002
94	BLOWER WHEEL 10 X 9 CONVEX 1/2" BORE	-----	-----	-----	R20297906	-----	-----	-----
94	BLOWER WHEEL 10 X 6 CONVEX 1/2" BORE	R20297904	R20297904	-----	-----	-----	-----	-----
94	BLOWER WHEEL 12 X 9 CONVEX 1/2" BORE	-----	-----	R20298004	-----	R20298004	-----	-----
94	BLOWER WHEEL 12 X 12 CONCAVE 1/2" BORE	-----	-----	-----	-----	-----	R20298005	R20298005
96	BELLY BAND MOTOR MOUNT 10" BLOWER (3 LEG)	R20285501	R20285501	-----	R20285501	-----	-----	-----
96	BELLY BAND MOTOR MOUNT 12" BLOWER (4 LEG)	-----	-----	R20285801	-----	R20285801	R20285801	R20285801
<b>OPTIONAL ACCESSORY EQUIPMENT</b>								
	COMBUSTIBLE FLOOR BASE (DOWNFLOW INSTALLATION)	20066501	20066501	20066502	20066502	20066502	20066503	20066503
	KIT, NATURAL TO LP CONVERSION	20490602	20490602	20490602	20490602	20490602	20490602	20490602
	KIT, NATURAL TO LP CONVERSION (FOR ALTITUDE TO 10,000 FT.)	20269402	20269402	20269402	20269402	20269402	20269402	20269402
	KIT, LP TO NATURAL CONVERSION	20272002	20272002	20272002	20272002	20272002	20272002	20272002
	ORIFICE, LP	(2)R20298103	(3)R20298103	(3)R20298103	(4)R20298103	(4)R20298103	(4)R20298103	(5)R20298103
	KIT, FILTER RACK WITH FILTER	20069901	20069901	20069901	20069901	20069901	20069902	20069902

( ) NUMBER IN PARENTHESES IN FRONT OF PART NUMBER INDICATES QUANTITY REQUIRED.

\* TUBING KIT A 40 INCH PIECE OF TUBING, CUT TO SUIT.