



RANGES
REFRIGERATORS
WALL OVENS
MICROWAVES
DISHWASHER PANELS



ANTIQUe APPLIANCES BUYERS' GUIDE



1865-ST DUAL FUEL

Six burner range shown in Black with 4 gas and 2 smoothtop electric elements, and electric oven.

Options shown include:

- Antiquing
- Nickel door frames
- Nickel front legs
- Nickel Victorian trivet

Features & specifications subject to change. Contact Elmira Stove Works or visit ElmiraStoveWorks.com for updates.

CREATE YOUR OWN STYLE ...

And make your own statement! Each Elmira Stove Works appliance is custom crafted to your request. Choose the model, color, options and accents that suit your *personal* style and your *cooking* style. Our ranges offer several hundred combinations of styles, colors and features. Add our selection of spectacular refrigerators, microwaves, wall ovens and dishwasher panels and the possibilities are *endless!*



1865-ST DUAL FUEL
(with electric oven)

855-STE
ALL ELECTRIC

1860 ALL GAS
1870 DUAL FUEL
(with electric oven)

1867-0 ALL GAS
1865-0 DUAL FUEL
(with electric oven)

COVER PHOTO

Six burner range shown in Black with 4 gas and 2 smoothtop electric elements and electric oven.

Options shown include:

- Antique Copper trim
- Antique Copper door frames
- Antique Copper front legs
- Antique Copper Victorian Trivet

Six burner range shown in White with STE smoothtop and convection oven. Range top controls are hidden in the upper cabinet.

Options shown include:

- Nickel door frames
- Nickel front legs

Four burner range shown in Black with gas cooktop.

Options shown include:

- Antiquing
- Nickel door frames
- Nickel front legs
- Nickel Victorian trivet

Four burner range shown in Cayenne Pepper Red with gas cooktop and work surface on right side.

Options shown include:

- Antiquing
- Nickel front legs
- Nickel Victorian trivet



1850-5 ALL ELECTRIC

Four burner range shown in Cayenne Pepper Red with cast element top.

Options shown include:

- Nickel door frames
- Nickel front legs
- Nickel front skirt
- Nickel warming shelf

Features & specifications subject to change. Contact Elmira Stove Works or visit ElmiraStoveWorks.com for updates.



FULL-SIZE OVEN

Enjoy the advantages of a state-of-the-art full size self-cleaning oven without sacrificing the authentic look of an antique two-door range. The front panel displaying the "fire door", "oven door" and "ash catch" cleverly conceals the spacious 4.3 cubic foot oven (4.0 cubic feet on gas or convection models) behind.



TRUE CONVECTION OVEN # 1801

"True convection" – at the push of a button, the standard oven converts to convection mode. A third heating element surrounding the convection fan circulates air evenly throughout the oven. Cooking times are reduced up to 25%, and you can bake five racks* of cookies / three racks of muffins perfectly at consistent temperatures. Procedures are fully explained in the owners' manual.

*Three racks supplied – additional racks available.



"STAY HOT" FOOD WARMER

Need to keep a few items warm while finishing off those last few dishes in the main oven? You'll love our "Stay Hot" food warmer. Simply flip a switch and the two cubic foot warmer maintains a temperature of 200 degrees F. The warmer also doubles as a storage compartment when not in use. This is a standard feature on all 45" ranges.



GRIDDLES #4240M (gas); #6050 (electric)

Black Diamond non-stick griddles are great for frying eggs, pancakes, bacon, etc.; and especially for thawing frozen foods. (The aluminum composition draws the cold out of frozen foods very quickly.) These 11" x 19" griddles are available to fit any Elmira range.



"FEATHER TOUCH" ELECTRONIC CONTROL PANEL

The tempered glass control panel is conveniently located at eye level in the upper cabinet. Touch the screen lightly to select oven mode, then touch "Start". Oven temperatures are easily controlled from 100 to 500 degrees F. (Control always indicates temperature selected.) Indicator lights on the control panel and cooking surface tell you which function is being used. The cooktop light and exhaust fan are also controlled from this panel.



SEALED GAS BURNERS

Pilotless sealed gas burners are rated at 8,000, 12,000 and 15,000 ("Superburner") BTU's*. Adjust simmer settings as low as 450 BTU's. Safety feature: automatic spark ensures constant heat – re-ignites, even at lowest setting. Burners light at any knob position.

* BTU ratings based on natural gas.



"ULTRA TEMP" CAST ELEMENTS

Cast elements adjust temperature slightly more slowly than smoothtops, but cooking is very uniform. These elements resemble traditional cookstove firebox "lids". Temperature limiters reduce power to the burner in the event of a pot boiling dry.



SMOOTHTOP ELECTRIC BURNERS

High-speed radiant elements under a ceramic cooktop provide virtually instant heat, uniform cooking and easy clean up. Heat is directed vertically so only the cooking zone gets hot. Infinite controls allow you to "fine tune" burners for precision cooking. Temperature limiters reduce heat in the event of a boil-dry.



ELECTRONIC SMOOTHTOP CONTROLS ON STE MODELS

Electronic burner controls are hidden at eye level, maintaining the cooktop's traditional appearance. Touch ON/OFF to turn a burner on or off. Then select the up or down arrow to adjust temperature to any of eleven settings. This feature increases your usable cooking surface by almost twenty percent!

CREATE YOUR OWN COOKING STYLE - FEATURES & OPTIONS

Elmira offers eight unique range tops to suit your cooking needs and style. Choose from traditional cast electric elements, high-speed radiant elements under ceramic smoothtops, high-efficiency sealed gas burners – or combinations of the three. Prefer a gas top and electric oven? You'll love our "dual fuel" options. Convection? *True convection* is an available option on all of our electric ranges, and standard on "STE" smoothtop models.

GAS BURNERS 1867 & 1875



- three 8,000 BTU gas burners
- two 12,000 BTU gas burners
- one 15,000 BTU "Superburner"
- available on 45" ranges

GAS BURNERS 1860 & 1870



- two 8,000 BTU gas burners
- one 12,000 BTU gas burner
- one 15,000 BTU "Superburner"
- available on 30" ranges

COMBINATION 1865-0 & 1867-0



- two 8,000 BTU gas burners
- one 12,000 BTU gas burner
- one 15,000 BTU "Superburner"
- work surface on right
- available on 45" ranges



VICTORIAN TRIVET # 1075

Cast from an authentic circa 1880 pattern, then plated and polished in Nickel, Antique Brass or Antique Copper. The trivet looks spectacular when combined with matching legs, frames or skirt and antiquing. (Antiquing is not recommended with brass or copper trims.)



WARMING SHELF # 1510

Decorative 3" by 28" shelf sits between the cabinet brackets to handily store spices, timers, etc. Available in Nickel, Antique Brass and Antique Copper.



SHORT LEGS # 1036S

Anyone shorter than 5' 2" will appreciate the convenience of legs 2" shorter than standard. Available in any finish, color or metallic. Minimum base cabinet opening required with short legs is 30 3/4"; ideal opening is 33".



LEGS # 1036 & SKIRT # 1053

Nickel legs and skirts nicely accent any of our ranges. Also available in Antique Brass and Antique Copper.



DOOR FRAMES # 1824 (30"); # 1826 (45")

Add a touch of elegance to your range with polished Nickel, Antique Brass or Antique Copper door frames.



ANTIQUING # 1803

Decorative scroll work around door castings is manually buffed to expose the silver metal beneath, giving ranges and wall ovens an even more antique appearance. Antiquing is not recommended with Brass or Copper accents, or on White or Bisque appliances.



NICKEL



ANTIQUÉ BRASS



ANTIQUÉ COPPER

DECORATIVE METAL TRIMS

Elmira offers three decorative trims for your appliances. Choose from our traditional Nickel finish, or upgrade to our deep, rich Antique Brass or Antique Copper finishes.

- Standard Metal Trim: Nickel door handles, cabinet frame & brackets, cook top trim rail, "ash catch" and thermometer
 Optional Metal Trims: Antique Brass or Antique Copper trim items as above
 Nickel, Antique Brass or Antique Copper door frames, front legs, front skirt, decorative shelf or Victorian trivet



WHITE



LIBERTY BLUE



BISQUE



CAYENNE PEPPER RED



BLACK

COLORS

- Standard Colors: Black, White, Bisque
 Premium Colors: Cayenne Pepper Red, Liberty Blue, Black / White combination, Black / Bisque combination

COMBINATION 1865-ST



- two 8,000 BTU gas burners
- one 12,000 BTU gas burner
- one 15,000 BTU "Superburner"
- one 1,500 Watt radiant element
- one 2,000 Watt radiant element
- available on 45" ranges

SMOOTHTOPS 855-STE



- three 6" 1,500 Watt radiant elements
- two 8" 2,000 Watt radiant elements
- one 9" 2,500 Watt "Superburner"
- controls hidden in upper cabinet
- 20% more cooking / work surface
- available on 45" ranges

SMOOTHTOPS 850-STE



- two 6" 1,500 Watt radiant elements
- one 8" 2,000 Watt radiant element
- one 9" 2,500 Watt "Superburner"
- controls hidden in upper cabinet
- 20% more cooking / work surface
- available on 30" ranges

CAST ELEMENTS 1855-5



- three 6" 1,500 Watt "Ultra Temp" elements
- three 8" 2,000 Watt "Ultra Temp" elements
- available on 45" ranges

CAST ELEMENTS 1850-5



- two 6" 1,500 Watt "Ultra Temp" elements
- two 8" 2,000 Watt "Ultra Temp" elements
- available on 30" ranges

CREATE YOUR OWN COLOR STATEMENT

Choose from seven colors - Black, White, Bisque, Cayenne Pepper Red, Liberty Blue, and our Black / Bisque and Black / White combinations. Pick one of our three metal trims - Nickel, Antique Copper or Antique Brass. Choose the standard trim provided for a more subdued look... or dress up your appliances with more trim and accents for a bolder statement.

It's easy to choose! This catalog and our website will help you create your own range and your complete Elmira Stove Works kitchen. "Create Your Own Range" on our website to see what your model, color and trim choices will look like. And feel free to visit our designer site, www.elmiradesignloft.com, for ideas and inspiration to help you on your journey.



855-STE
ALL ELECTRIC

Six burner range shown in Black / Bisque with smoothtop and convection oven. Range top controls are hidden in the upper cabinet.

- Options shown include:
- Nickel door frames
 - Nickel front legs
 - Nickel front skirt
 - Nickel Victorian trivet



1860 ALL GAS
1870 DUAL FUEL
(with electric oven)

Four burner range shown in White with gas cooktop. Options shown include:

- Antique Brass trim
- Antique Brass front legs
- Antique Brass warming shelf



1867 ALL GAS
1875 DUAL FUEL
(with electric oven)

Six burner range shown in Liberty Blue with gas cooktop. Options shown include:

- Antiquing
- Nickel door frames
- Nickel front legs
- Nickel front skirt
- Nickel Victorian trivet



850-STE
ALL ELECTRIC

Four burner range shown in Black with smoothtop and convection oven. Range top controls are hidden in the upper cabinet. Options shown include:

- Antique Copper trim
- Antique Copper door frames
- Antique Copper front legs
- Antique Copper front skirt
- Antique Copper Victorian trivet



1867-0 ALL GAS
1865-0 DUAL FUEL
(with electric oven)

Four burner range shown in Bisque with gas cooktop and work surface on right side. Options shown include:

- Nickel warming shelf



850-STE
ALL ELECTRIC

Four burner range shown in Black / White with smoothtop and convection oven. Range top controls are hidden in the upper cabinet. Options shown include:

- Nickel door frames
- Nickel front legs

CREATE YOUR OWN COOL

With many models, seven colors and three metal trims, there's an Elmira refrigerator to suit your kitchen!

For large capacity and ice / water through the door, choose our 25.9 cubic foot side-by-side Model 1897. Our French door models offer the convenience of double-door access to fresh foods, along with a choice of 24.8 cubic feet of capacity (Models 1898/1958) or the built-in look of our 19.8 cubic foot Models 1899/1959. If you need to fit your fridge into a standard cabinet opening, our Model 1896 30" fridge provides 18.5 cubic feet of capacity, with a bottom mount freezer.



1897 SIDE-BY-SIDE



1896 BOTTOM MOUNT



1898 FRENCH DOOR



1899 FRENCH DOOR



1958/1959 FRENCH DOOR

36" wide full-depth 25.9 cubic foot refrigerator shown in Bisque with optional color-matched body. Standard ice and water dispenser on the freezer door. Shown with standard Nickel door handles.

30" wide 18.5 cubic foot refrigerator with bottom mount freezer, shown in Cayenne Pepper Red. Available with factory installed ice maker and left hand hinge. Shown with optional Nickel door frames.

36" wide full-depth 24.8 cubic foot refrigerator with bottom mount freezer, shown in Black. Ice maker and water dispenser included. Shown with optional Nickel door frames.

36" wide cabinet-depth 19.8 cubic foot refrigerator with bottom mount freezer, shown in White. Ice maker and water dispenser included. Shown with optional Nickel door frames.

36" wide full-depth (1958) or cabinet-depth (1959) Northstar retro refrigerator shown in Black. Ice maker and water dispenser included. For more information and other Northstar models, visit ElmiraStoveWorks.com or request a catalog.

Tops, sides, kick plates and center bars are black on Black, Red and Blue Models 1896, 1897, 1898 and 1899 fridges. (White on White and Bisque fridges) Color-matching is available for an additional charge. (Color-matching is standard on Models 1958 and 1959)



**1898 FRENCH 1958
1899 DOOR 1959**

Full-depth (1898/1958) or cabinet-depth (1899/1959) refrigerators offer state-of-the-art features with the convenience of the French Door design. Refrigerated foods and water dispenser are in the upper compartment for handy access. Oversized door bins, factory-installed standard ice maker, and slide-out shelves, drawers & baskets make this a very "smart" fridge.



1897 SIDE-BY-SIDE

Model 1897 is our largest refrigerator, in a classic side-by-side design with 25.9 cubic feet of storage - 16.2 in the fresh food area and 9.7 in the freezer. 1897 offers the added convenience of a SmartWater™ through-the-door ice and water filtration system, along with gallon sized door bins, and spill-proof easy-slide shelves & drawers.



ANTIQUUE CHARM, TODAY'S FEATURES



**WATER DISPENSER
(1898/1958 and 1899/1959)**

Internal filtered water dispenser - fresh cold water "on demand".



**GLIDE-OUT FREEZER BASKETS
(1896, 1898/1958 and 1899/1959)**

Double-basket design optimizes storage in 7.3 cu. ft. freezer. (5.4 cu. ft. on 1899/1959)



**TEMPERATURE-CONTROLLED
PANTRY DRAWER
(1898/1958 and 1899/1959)**

Helps keep meats, cheeses, deli / party trays, etc. fresh & tasty.



**ELECTRONIC CONTROL
& WATER FILTER
(1898/1958 and 1899/1959)**

Filter provides crystal clear drinking water. Separate fridge & freezer controls.



**SMARTWATER™ ICE AND WATER
(Model 1897)**

Filtered cold water and ice at your fingertips... without opening the door.



**GALLON SIZED DOOR BINS
(All Models)**

Oversized bins make storing large containers simple and convenient.



1896 BOTTOM MOUNT

Model 1896 offers 18.5 cubic feet of capacity, yet fits into a standard 30" cabinet opening. The bottom-mount (fridge-over-freezer) design keeps fresh food, the things you use most, at eye level for easy access. The roll-out freezer drawer puts frozen foods at your fingertips. Available with optional ice maker and / or left hand hinge.



DURABLE LEXAN BINS (1897 and 1899/1959)

Including adjustable-humidity crisper and temperature-controlled deli bin.



HIGH VISIBILITY DESIGN (1897, 1898/1958 and 1899/1959)

Transparent bins and shelves, fully adjustable slide-out shelving and drawers.



GLIDE-OUT FREEZER DRAWER (1896, 1898/1958 and 1899/1959)

Bottom bins slide out easily to bring frozen foods within easy reach



OVERSIZED DOOR BINS

Deep wide bins store large containers, maximize space utilization



SPACIOUS SLIDE-OUT DRAWERS

Easy access; Lexan™ fronts make it easy to see contents.



ENERGY STAR EFFICIENCY

All refrigerators are Energy Star compliant for energy efficiency.



1897 SIDE-BY-SIDE

36" wide full-depth 25.9 cubic foot refrigerator shown in Black. Standard ice and water dispenser on the freezer door. Shown with optional Antique Copper door handles and door frames.





SUIT YOUR OWN STYLE

Elmira's Antique appliances add a dramatic statement to many styles of décor: from Victorian or traditional to country, log or stone... even a striking accent in a contemporary kitchen. The timelessness of each piece assures its longevity - harmonizing with changing styles while maintaining its unique elegance and charm.

**Note: antiquing not available on microwaves, dishwasher panels and wall oven control panels. Features & specifications subject to change. Contact Elmira Stove Works or visit ElmiraStoveWorks.com for updates.*

CREATE YOUR OWN KITCHEN

Elmira ranges are spectacular... a full Elmira kitchen is absolutely stunning! Create a focal point and warm gathering place in your home - complete your kitchen style statement with a matching microwave, wall oven and dishwasher. The results will amaze you!



*Cayenne Pepper Red with Antiquing on Wall Oven**

1880 5.0 CUBIC FOOT WALL OVEN

The 1880 wall oven is a must for people who require extra capacity. This 5.0 cubic foot self-cleaning convection oven can be installed in a wall or island.
Available in Black, White, Bisque, Cayenne Pepper Red, Liberty Blue, Black/White combination and Black/Bisque combination. Optional trim in Antique Brass or Antique Copper, and optional door frames in Nickel or Antique Brass or Antique Copper.



White with Standard Nickel Trim

1895 2.0 CUBIC FOOT MICROWAVE OVEN

Model 1895 is a deluxe 1,200 Watt microwave oven, featuring 10 power levels, auto-defrost and four-stage programmable sensor cooking.
Available in Black, White, Bisque, Cayenne Pepper Red and Liberty Blue. Optional door frames in Nickel, Antique Brass or Antique Copper.



Black with Optional Nickel Frame

1893 DISHWASHER PANEL

Model 1893 fits most 24" wide fully integrated dishwashers that accept 3/4" panels up to 175 lbs: Bosch, Miele etc. Panel dimensions are 30-5/16" high by 23-1/2" wide - the panel will also fit dishwashers with slightly smaller doors.
Available in Black, White, Bisque, Cayenne Pepper Red and Liberty Blue. Optional door frames in Nickel, Antique Brass or Antique Copper.

RANGES

FEATURES & SPECIFICATIONS

	ELECTRIC RANGES		COMBINATION RANGES			ALL GAS RANGES		ELECTRIC WALL OVENS		
	1850	1855	1865	1870	1875	1860	1867			
Range Widths	* Will fit minimum 30 1/4" cabinet opening.		* 30 1/8"	44 1/4"	44 1/4"	* 30 1/8"	44 1/4"	* 30 1/8"	44 1/4"	30"
OVENS										
Self-Cleaning Electric Oven (4.3 cu. ft.) Oven Size: 25" W x 16" H x 18 3/4" D	•	•	•	•	•					
Electric Self-Cleaning Convection Oven (4.0 cu. ft.) Oven Size: 25" W x 16" H x 16 5/8" D	optional	optional	optional	optional	optional					5.0 cu. ft
Gas Self-Cleaning Oven with waist high Broiler (4.0 cu. ft.) Oven Size: 25" W x 16" H x 18" D						•	•			
"Stay Hot" Food Warmer		•	•		•		•			
Electronic Oven Control	•	•	•	•	•	•	•	•	•	•
Delayed Start Baking	•	•	•	•	•	•	•	•	•	•
Dual Element Baking	•	•	•	•	•	•	•	•	•	•
Vari. Temp. Broil	•	•	•	•	•	•	•	•	•	•
Door Activated Oven Light	•	•	•	•	•	•	•	•	•	•
Heavy Duty, Plated Oven Racks	•	•	•	•	•	•	•	•	•	•
Porcelain Enamel Broiler Pan	•	•	•	•	•	•	•	•	•	•
Sabbath Mode										•
RANGETOPS										
Electric High-speed Radiant Elements under glass (ST)	optional	optional								
High-Speed Radiant Elements under glass with Electronic Control (STE)	optional	optional								
Gas: Sealed Surface Burners with cast grates			4	•	•	•	•			
Converts to L.P. (Propane)			•	•	•	•	•			
Gas Top Burners, 8,000* BTU			2	2	3	2	3			
Gas Top Burners, 12,000* BTU			1	1	2	1	2			
Superburner, 15,000* BTU			1	1	1	1	1			
<i>*Ratings for liquid propane are approximately 10% lower</i>										
Ultra Temp™ Electric Cast Elements	optional	optional								
Electric High Speed Radiant Elements under glass				optional						
Porcelain Enamel Work Surface (replaces two burners/elements)				optional					optional	
Electronic Spark with Re-ignition				•	•	•	•		•	
Easy Clean Porcelain Top or Top Frame	•	•	•	•	•	•	•		•	
Nickel Trimmed Range Top	•	•	•	•	•	•	•		•	
UPPER CABINET										
350 CFM Exhaust Fan standard (recirculating and outside vent)	•	•	•	•	•	•	•		•	
485 CFM Wall Mounted Exhaust Fan (outside mount, outside vent)	optional	optional	optional	optional	optional	optional	optional		optional	
636 CFM In-line Exhaust blower (outside vent only)	optional	optional	optional	optional	optional	optional	optional		optional	
Cooking Surface Light, Night Light	•	•	•	•	•	•	•		•	
"Feather Touch" Tempered Glass Oven Control Panel	•	•	•	•	•	•	•		•	
POWER RATING										
Power Source (208 to 250V) appliance rating	240V-35A	240V-50A	240V-30A	240V-30A	240V-30A	120V-5A	120V-6A		240V-30A	
Power Ratings NG (BTU's)			43,000	43,000	63,000	59,000	79,000			
Power Ratings LP (BTU's)			38,700	38,700	56,700	53,100	71,100			
Power ratings/oven burner NG (BTU's)						16,000	16,000			
Shipping Weight	390 lbs.	425 lbs.	435 lbs.	400 lbs.	440 lbs.	410 lbs.	450 lbs.		200 lbs.	

NATURAL GAS OR PROPANE?

Ranges are built to accommodate natural gas unless propane (LP) has been specified on your order. Conversion parts are available and are easy to install. (See product manual for instructions.)

RANGE DIMENSIONS

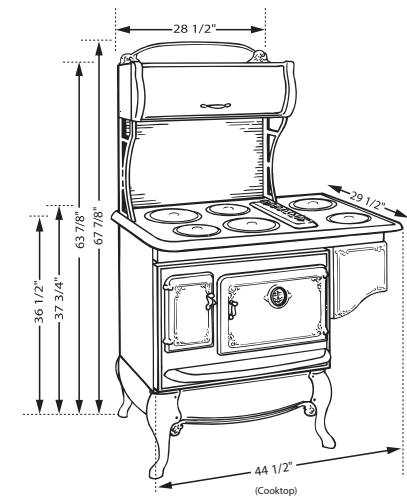
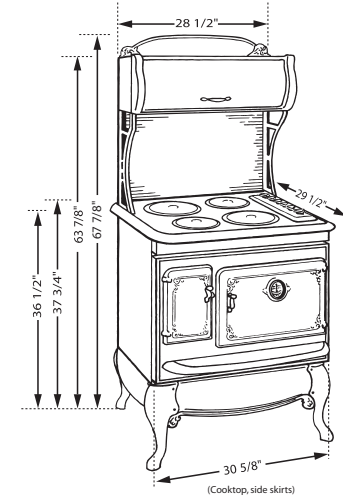
(Subject to change. Consult the product manual or contact Elmira Stove Works for complete and current dimensions.)

Four-Burner Models: Our standard leg four-burner models will fit into a 30-1/4" countertop opening* and 30-3/4" lower cabinet opening**. Short leg models, or countertops higher than 36", require a minimum 31" countertop opening and 30-3/4" lower cabinet opening.

Six-Burner Models: Our standard leg six-burner models require a minimum 44-1/2" countertop opening*. Short leg models, or countertops higher than 36", require a minimum 45-1/2" countertop opening.

* Recommended countertop overhang is 1".

** Required lower cabinet opening on 4-burner standard leg models can be reduced to 30-1/4" by removing side skirts.



Vertical dimensions 2" less on short leg models.

STANDARD EXHAUST FAN

The standard 350 c.f.m. exhaust fan, included in the upper cabinet of your range, is factory-set to recirculate air through a charcoal filter. It can also be used to outside-vent exhaust if there is not more than one 90 degree elbow or more than ten feet between the range and the outside wall. This fan exhausts air only from the back of the range cabinet – it cannot be adapted for top-venting.

EXHAUST OUTLET LOCATION

Height from floor to center of duct opening is 62 5/8" (60 5/8" for short leg models). From left base cabinet countertop overhang to center of duct opening is 15 3/8".

1518 OPTIONAL IN-LINE EXHAUST BLOWER

The optional in-line exhaust blower replaces the standard 350 c.f.m. exhaust fan provided in your range cabinet, and is to be installed by your contractor where your exhaust ducting exits the house. The inline blower should be ordered when you purchase your range - the range and wiring must be modified to accommodate the blower. (The blower can be shipped in advance of the range for installation – additional shipping charges will apply.)

If you are outside-venting your range with more than 10 feet of ducting, or more than one elbow... or if you simply prefer a more powerful exhaust system... you should include the optional 636 c.f.m. in-line exhaust blower. The # 1518 In-Line Blower exhausts smoke and cooking odors quickly and quietly, exiting the house up to 35 feet from the range. If desired, the blower can be mounted in the basement or attic for powerful, whisper-quiet operation.

- The blower can be mounted vertically, horizontally or at any angle.
- Backward-curved airfoil blades move maximum air with minimal sound.
- Fan and motor are precision balanced for quiet vibration-free operation.
- Blower wiring attaches to the junction box on the back of your range.

SPECIFICATIONS:

- 636 cubic feet / minute • 210 Watts, 115 Volts, 1.85 Amps, 60 Hz • Blower length: 9-1/8"
- Blower diameter: 13-1/2" (electrical box protrudes 1-3/4" D X 4-1/2" W from side of blower) • Inlet / outlet: 8"
- Warranty: One year

IN-LINE EXHAUST BLOWER KIT CONTAINS:

- Exhaust blower with 8" inlet and outlet
- Adapter elbow – attaches to back of range, converts range outlet to 3-1/4" X 10" standard duct size.
- Duct adapter – converts 3-1/4" X 10" duct to 8" round duct
- Back draft damper with spring return – prevents cold air from entering house when blower is not in use.
- Outside louver grill – covers the exhaust outlet at soffit or foundation wall.
Louvers automatically close when the blower is not in use.
- Duct extender – mounts to back of range cabinet, replacing deflector plate.
- Duct pipe, roof flashing and roof cap (if required) are not included.

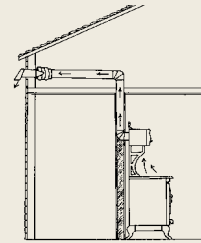
WARRANTY

One-year warranty, covering parts and labor. Additional four-year warranty (five years total) parts only on range / wall oven burners and elements, fridge sealed refrigeration unit and compressor, and microwave magnetron tube.

NOTE RE ELECTRICAL & GAS SUPPLY

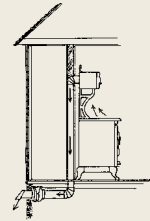
All 240 Volt ranges – standard cord is four prong 50 amp plug. Please specify if a three-prong cord is required (home construction / wiring 1998 or prior).

All ranges - the electrical receptacle and gas piping should be installed approximately 4" above the floor and 15" from the left edge of the cabinet opening.



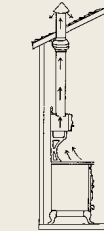
Attic In-Line Exhaust Blower Installation

The in-line blower and ducting can be mounted to or between (allowing for 14" blower diameter) structural joists. Alternate installation: The exhaust duct can extend straight up through the roof (similar to Installation #3). This method will require a roof flashing and cap, not included.



Basement In-Line Exhaust Blower Installation

The exhaust duct runs down the wall behind the range into the basement, where it exits through the foundation wall. The in-line blower and ducting can be mounted to or between (allowing for 14" blower diameter) structural joists.



Roof In-Line Exhaust Blower Installation (straight up from cabinet)

Log homes and homes with a cathedral ceiling often require a top-ducted exhaust. Advise your dealer if you are using this application – a 7" round hole must be made in the top center of your range cabinet. We highly recommend locating your range in the kitchen prior to cutting the hole in the roof. (Ducting can also be routed through kitchen cabinets above range, if desired.) 7" duct pipe, 7" to 8" increaser, roof cap and roof flashing not included.

Outside Wall Exhaust Installation

There are two options for venting an Antique range directly through an outside wall behind the range:

1. **Using the standard 350 CFM fan** (noted above left), the exhaust outlet on the back of the range cabinet can be connected to standard 3-1/4" X 10" ducting and vented through the wall behind the range.
2. **For extra power, a 485 CFM Model 1519 wall-mounted exhaust fan** can be installed on the outdoors side of the wall, exhausting through the wall directly behind the range. The 3-1/4" x 10" duct from the back of the range must transition to 6" round to connect to the external blower. The Model 1519 blower replaces the standard exhaust fan provided in your range cabinet, and must be ordered when you order your range.

ALL DIMENSIONS ARE FOR PLANNING PURPOSES ONLY

Specifications are subject to change without notice. We reserve the right to make product changes as required, without notice. Consult installation instructions before cutting cabinets, counter tops or exhaust outlet.

SAFETY & EFFICIENCY

Elmira Stove Works appliances meet or exceed the most stringent U.S. and Canadian safety and efficiency standards.



Total volume and shelf area are calculated by the Association of Home Appliance Manufacturers' standards.



Listed by Underwriters Laboratories



REFRIGERATORS

FEATURES & SPECIFICATIONS

	1896 Bottom Mount	1897 Side-by-Side	1898 / 1958 French Door Full Depth	1899 / 1959 French Door Counter Depth
CAPACITY				
Total Fridge & Freezer (cu. ft.)	18.5	25.6	24.8	19.8
Total Fridge (cu. ft.)	12.9	16.0	17.5	14.4
Total Freezer (cu. ft.)	5.6	9.6	7.3	5.4
REFRIGERATOR / FREEZER FEATURES				
Fully adjustable shelving	*	*	*	*
Gallon size adjustable door storage	*	*	*	*
Sealed vegetable crisper with adjustable humidity control	*	*	*	*
Deli bin with adjustable temperature control	*	*	*	*
Crispers and bins made of clear durable Lexan™	*	*	*	*
Beverage rack		*		
Slide out upper freezer basket	*		*	*
Separate fridge / freezer controls	*	*	*	*
SmartWater™ ice / water filtration system through door		*		
Internal filtered water dispenser			*	*
Factory installed ice maker	Optional	Standard	Standard	Standard
EnergyStar	*	*	*	*
Energuide rating (KwH/year)	448	583	505	451
Shipping weight (lb.)	370	460	460	400
CABINET FEATURES				
Injection molded fiberglass doors with enamel coating	•	•	•	•
Adjustable rollers provide easy movement for cleaning	•	•	•	•
Sculptured door handles	•	•	•	•
Coil free back, clean-free condenser	•	•	•	•
Left hand hinge	Optional	N/A	N/A	N/A
COLORS				
Standard - Black, White, Bisque	•	•	•	•
Premium - Cayenne Pepper Red, Liberty Blue	•	•	•	•
Standard Door Handles	Nickel	Nickel	Nickel/Chrome	Nickel/Chrome
Antique Brass or Antique Copper door handles	Optional	Optional	Optional / N/A	Optional / N/A
Nickel, Antique Brass or Antique Copper door frames	Optional	Optional	Optional / N/A	Optional / N/A
DIMENSIONS				
A Height to top of door	67-1/4"	69-3/4"	69-7/8" / 72-3/16"	69-7/8" / 72-3/16"
Height to top of hinge	66-1/2"	69-3/8"	69-7/8" / N/A	69-7/8" / N/A
B Height to top of case*	65-3/4"	68-3/4"	68-5/8" / 71-15/16"	68-5/8" / 71-15/16"
C Depth not including door	28-1/4"	28"	29"	24"
D Depth including door	33-3/4"	34"	34" / 36"	29" / 31"
E Depth including door and handles	33-3/4"	34-1/2"	35-3/8" / 38"	30-3/8" / 33"
F Depth with door(s) open 90 degrees	59-1/2"	50-1/2"	48-1/4"	43-1/4"
G Depth with freezer drawer open	52-1/2"	N/A	54-3/4" / 57"	46" / 48-1/4"
H Width of case	29-1/4"	35-3/4"	35-5/8"	35-5/8"
I Width with door(s)	30"	36-3/8"	36"	36"
Width with door(s) open 90 degrees (not inc. handle)	32-1/4"	39-1/2"	42-7/8" / 46-7/8"	42-7/8" / 46-7/8"
Side clearance from wall for doors to open 90 degrees	2-1/2"	4"	4" / 6"	4" / 6"
Cutout dimensions:				
Width	30"	37"	36"	36"
Height	67"	70"	70" / 73"	70" / 73"
Minimum depth	24"	24"	24"	24"
Ideal depth	28"	28"	28"	24"

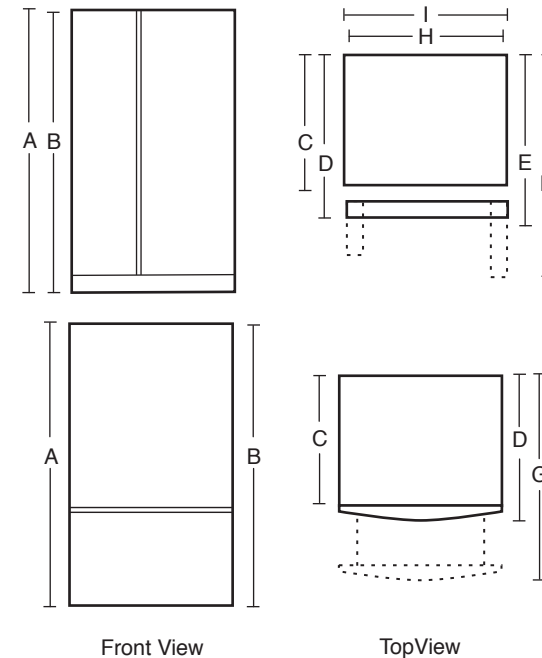
* Case cap can be removed on Models 1958 / 1959 – reduces case height by 3-5/16", to 68-5/8". Height to top of hinge with cap removed is 69-3/8".
(If necessary, allow clearance over fridge doors for overhead cabinet door swings.)

MICROWAVES & WALL OVENS

FEATURES & SPECIFICATIONS

	1895 Microwave	1880 Wall Oven
CAPACITY		
	2.0 cu. ft.	5.0 cu. ft.
DIMENSIONS		
Overall Dimensions:		
Height	14"	30-1/4"
Width	24"	30"
Depth	20"	28"
Depth with Doors, Ash Catch		33-1/2"
Cabinet Cut-Out Dimensions (Minimum):		
Height	14-1/4"	28"
Width	24-1/4"	28-1/2"
Cabinet Width		30"
Depth	24"	24"
Rear Stop Depth	15-1/2"	N/A
Power Source		
	120V, 15A	220V, 30A
Shipping Weight		
	65 lb.	200 lb.
Wall Oven Notes:		
Allow 5-1/4" minimum from bottom of cutout to floor.		
Allow 1-1/2" minimum from top of cutout to underside of countertop.		
Wall ovens can be installed two high.		

REFRIGERATOR DIMENSIONS



Elmira
Stove Works
For true originals.



CAN WE BUILD ONE FOR YOU?

At Elmira, we build only a few appliances each day. Every product that leaves our factory receives unparalleled attention to detail, fit and finish from our highly trained staff. The result - each appliance is a unique piece of fine craftsmanship. Go ahead and create your dream appliance or dream kitchen... we're waiting to build it for you!



ALSO FROM ELMIRA STOVE WORKS

Fireview™ high-efficiency wood-burning cookstove...

The Fireview's spacious 3.0 cubic foot oven, overhead warmer, 6 square feet of cooktop space... plus optional side warmer and on-demand gas burners... give you lots of cooking capacity! The high-output firebox provides up to 60,000 BTU's of heat, and the viewing window lets you enjoy and monitor the fire.

Fireview™... efficiency and styling you can really warm up to!



Northstar appliances

Retro, modern or contemporary - Northstar's striking lines, fresh color statements and bright chrome accents make a bold statement in any kitchen. Ranges, refrigerators, range hoods, microwaves, dishwasher panels... build a full Northstar kitchen, or mix and match with your Antique appliances (color matching available).

**Elmira
Stove
Works**

For true originals.

285 Union Street,
Elmira, Ontario N3B 3P1
T: (519) 669-1281
TF: 1-800-295-8498
ElmiraStoveWorks.com

