

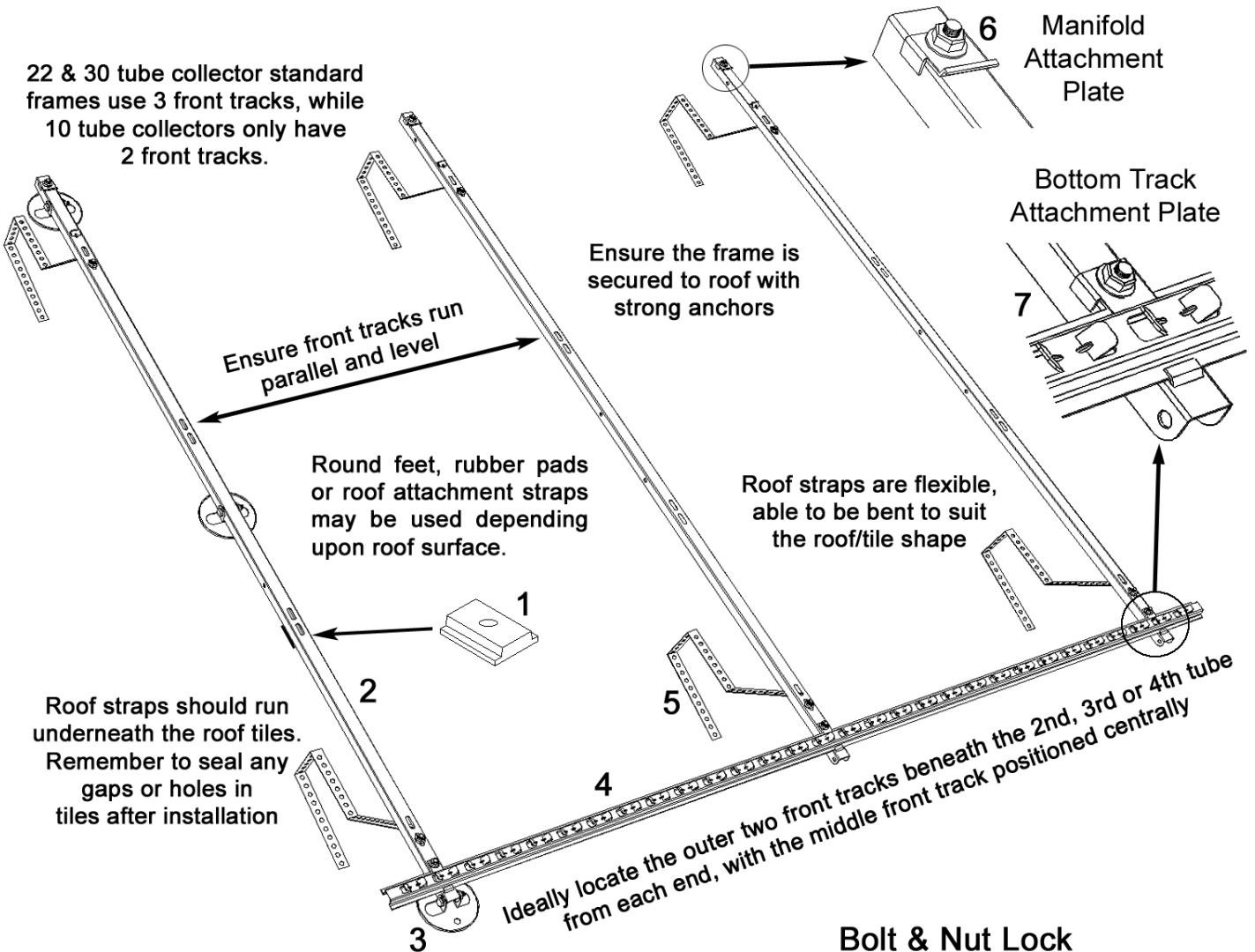


AP Solar Collector

Frame Assembly Diagrams

Standard Frame Assembly

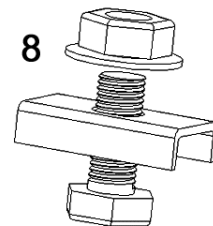
22 & 30 tube collector standard frames use 3 front tracks, while 10 tube collectors only have 2 front tracks.



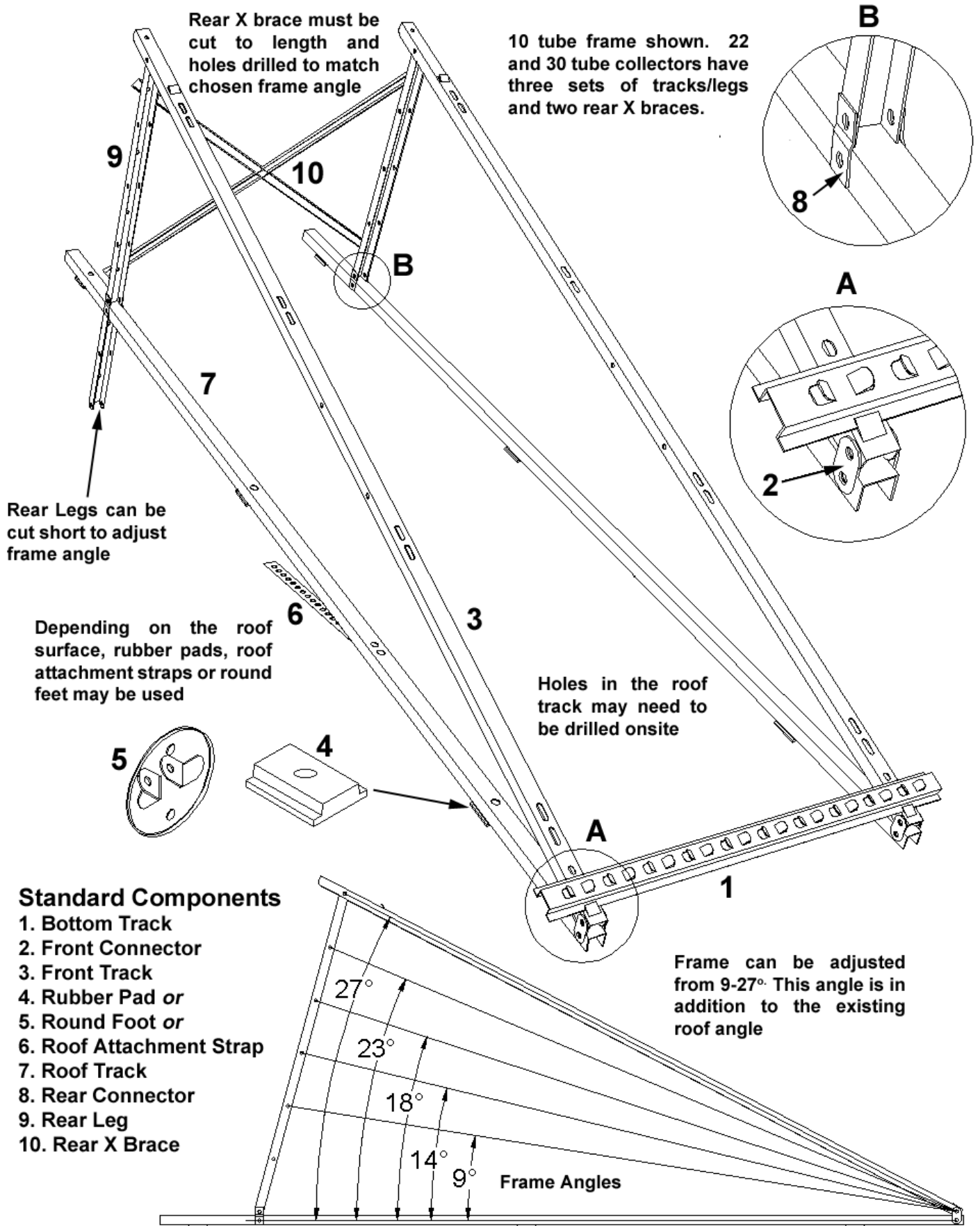
Standard Components

1. Rubber Pad
2. Front Track
3. Round Foot
4. Bottom Track
5. Roof Strap
6. Manifold Attachment Plate
7. Bottom Track Attachment Plate
8. Bolt & Nut Lock Assembly

Bolt & Nut Lock Assembly



Low Pitched Roof Frame Assembly



Standard Components

1. Bottom Track
2. Front Connector
3. Front Track
4. Rubber Pad *or*
5. Round Foot *or*
6. Roof Attachment Strap
7. Roof Track
8. Rear Connector
9. Rear Leg
10. Rear X Brace

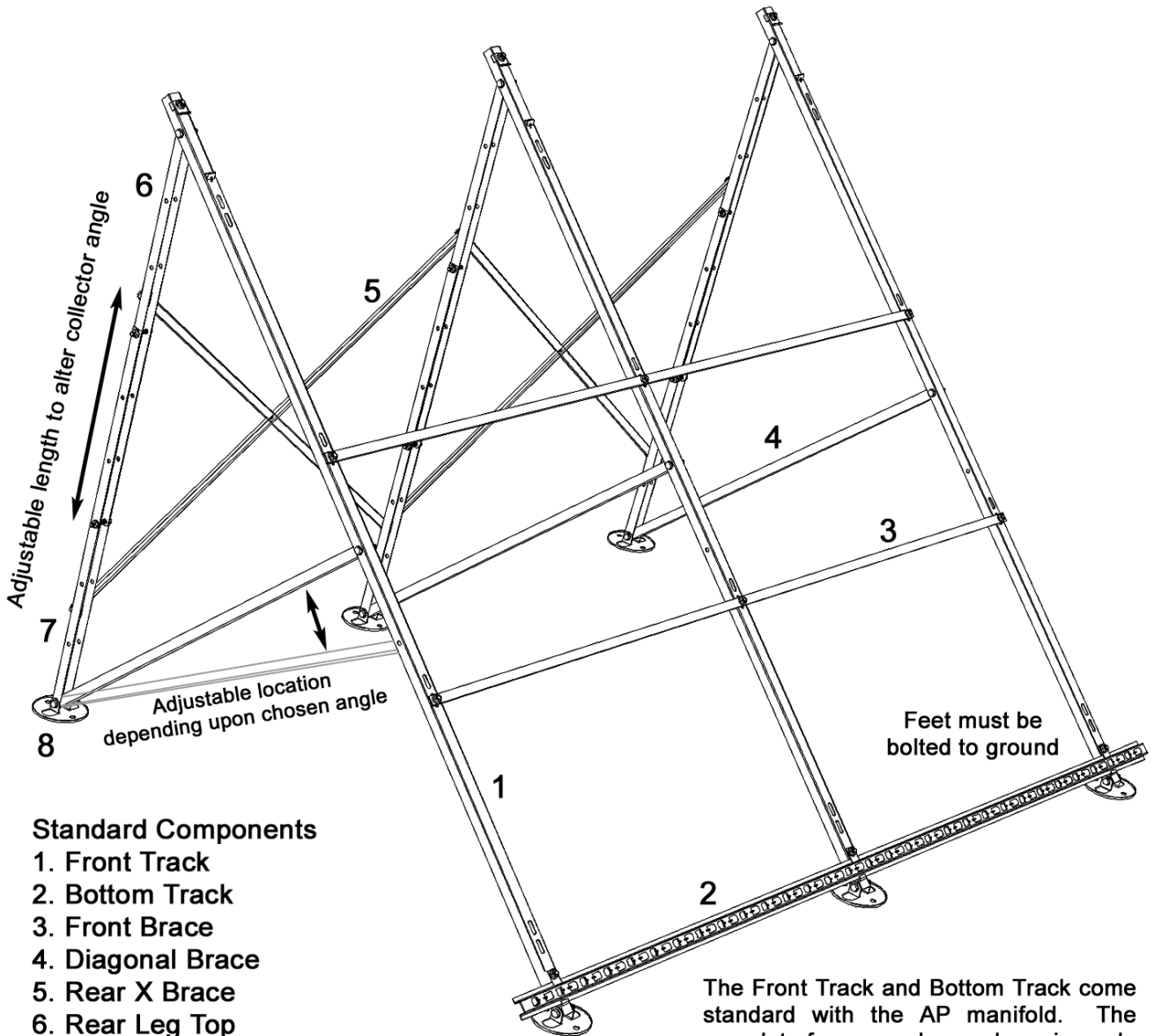
Flat Roof Frame Assembly

22 & 30 tube collector A-frames use:

- 3 sets of front track, rear legs and diagonal brace
- 2 sets of rear X brace assembly

10 tube collector A-frames use:

- 2 sets of front track, rear legs and diagonal brace
- 1 set of rear X brace assembly



Standard Components

1. Front Track
2. Bottom Track
3. Front Brace
4. Diagonal Brace
5. Rear X Brace
6. Rear Leg Top
7. Rear Leg Bottom
8. Round Foot

The Front Track and Bottom Track come standard with the AP manifold. The complete frame as shown above is made by combining the Standard Frame with a Flat Roof Frame kit.