

Fireplace Fan Installation Instructions

Bordeaux, Merlot, and Chardonnay

Summary

Fan installation instructions for Bordeaux, Merlot, and Chardonnay fireplaces	2
Bordeaux fireplace :	2
Merlot or Chardonnay fireplace :	5

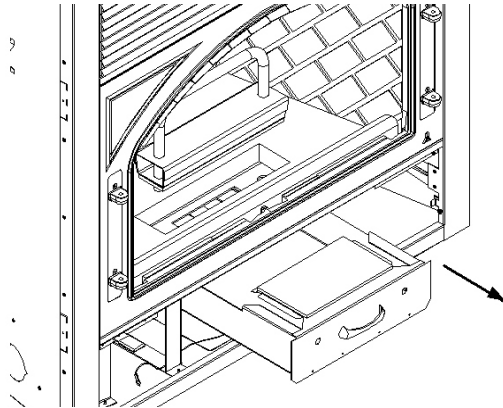
Fan installation instructions for Bordeaux, Merlot, and Chardonnay fireplaces

A licensed or qualified electrician must perform the power connection. The fan assembly must be electrically connected and grounded in accordance with local codes. In the absence of local codes, use the current CSA C22.1 Canadian Electrical Code in Canada or the ANSI/NFPA 70 National electrical code in the United States.

The Bordeaux , Merlot, and Chardonnay may have an electrical junction box installed. It is located behind the bottom grille on the side of the fireplace. If one is not present, your electrician can provide one. The wiring must be done prior to enclosing and finishing the fireplace.

Bordeaux fireplace :

1. Lower the bottom grille and remove the ashpan from its location.



2. Slide the fan assembly between the two brackets where the ashpan was located. The motor must be facing in towards the back of the fireplace (see Figure 2).

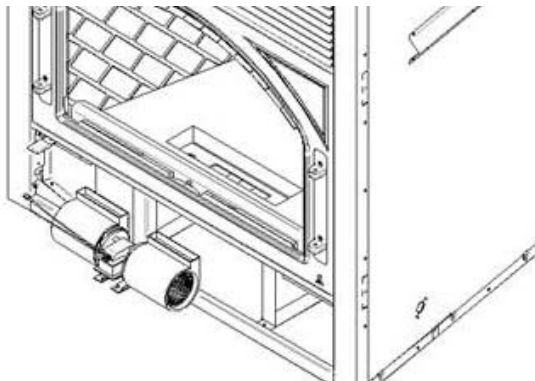
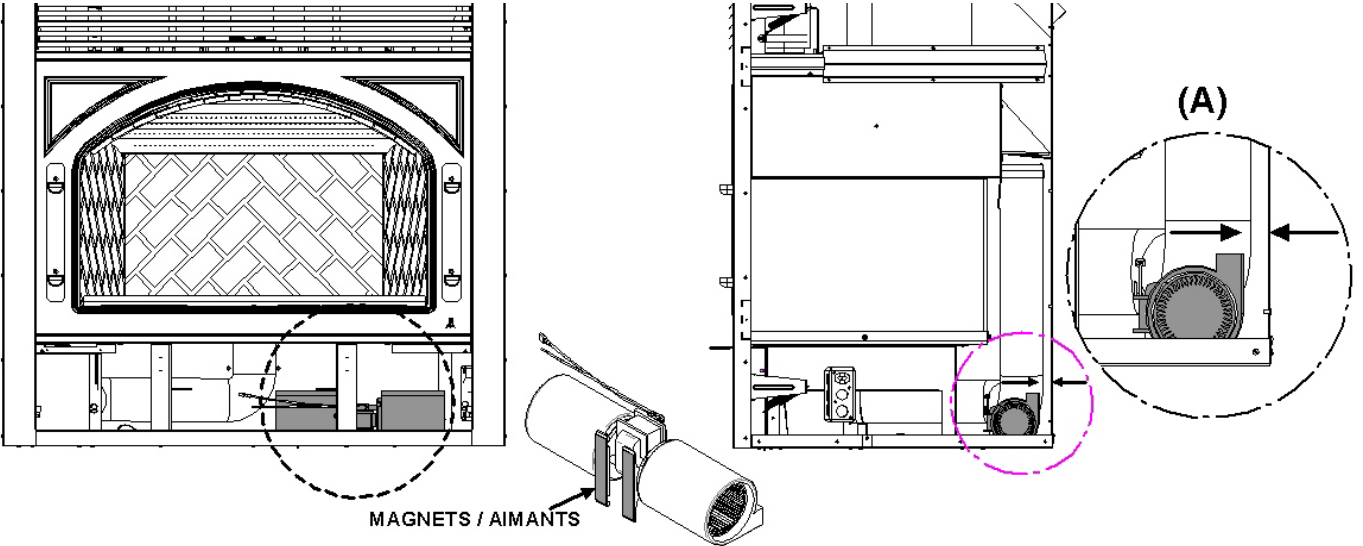
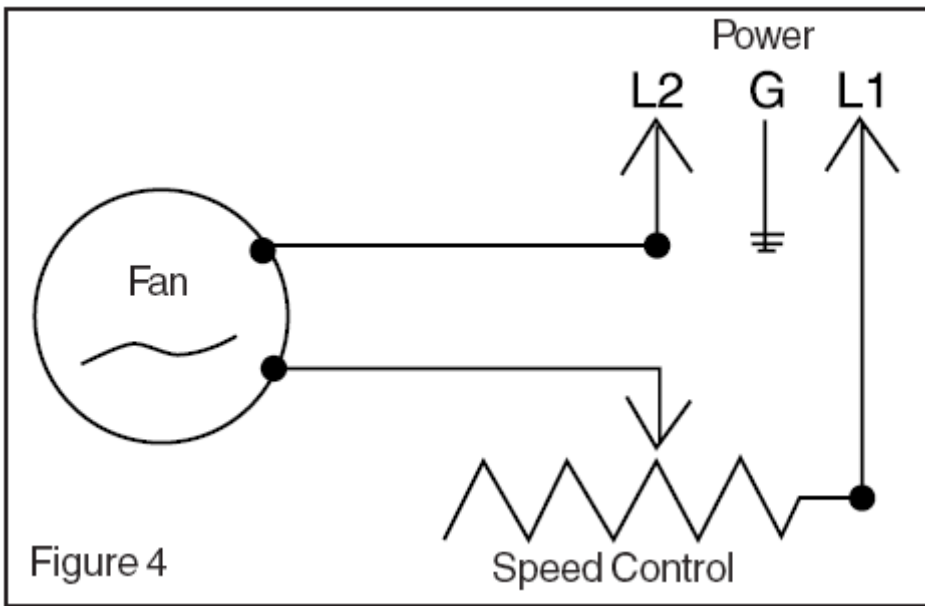


Figure 2

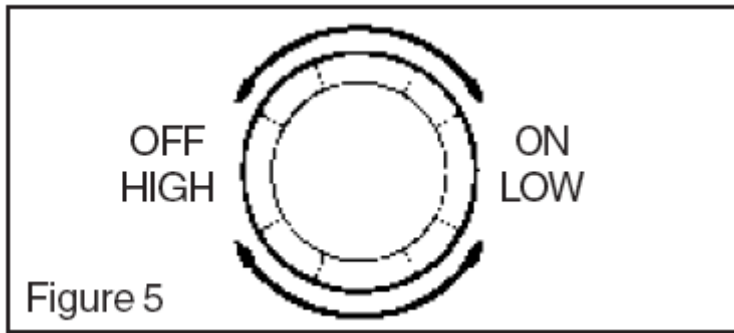
- Position the fan assembly towards the bottom rear right hand side of the fireplace (see Figure 3). Make sure that the fan assembly is positioned at the rear and that it is not touching the back of the fireplace to avoid any vibrations (see detail A).



- Wire the fan assembly as per the wiring diagram (Figure 4). The rheostat (speed control) may be installed in the junction box or located remotely. When located within the fireplace junction box, a metal cover plate (included) must be installed. If located elsewhere, a metal cover plate must be installed onto the junction box (not included).



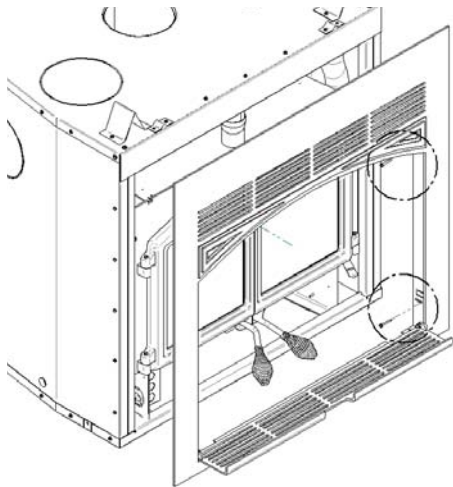
5. Turn the fan on or off manually by rotating the control knob on the rheostat (speed control). Select desired fan speed by rotating the control knob to the desired setting (see Figure 5).



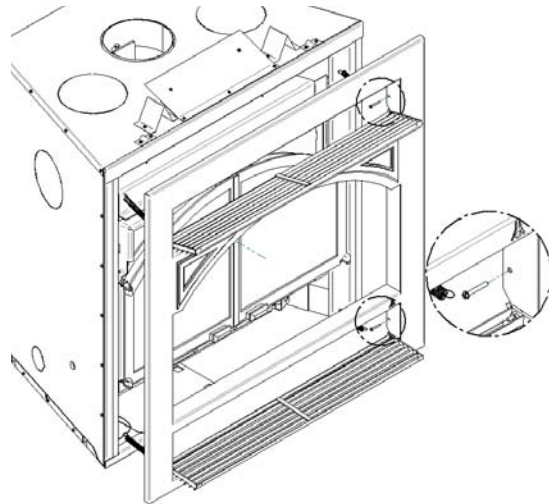
6. Place ashpan in its original location and close the bottom grille.

Merlot or Chardonnay fireplace :

1. The faceplate must be removed before installing the fan assembly.

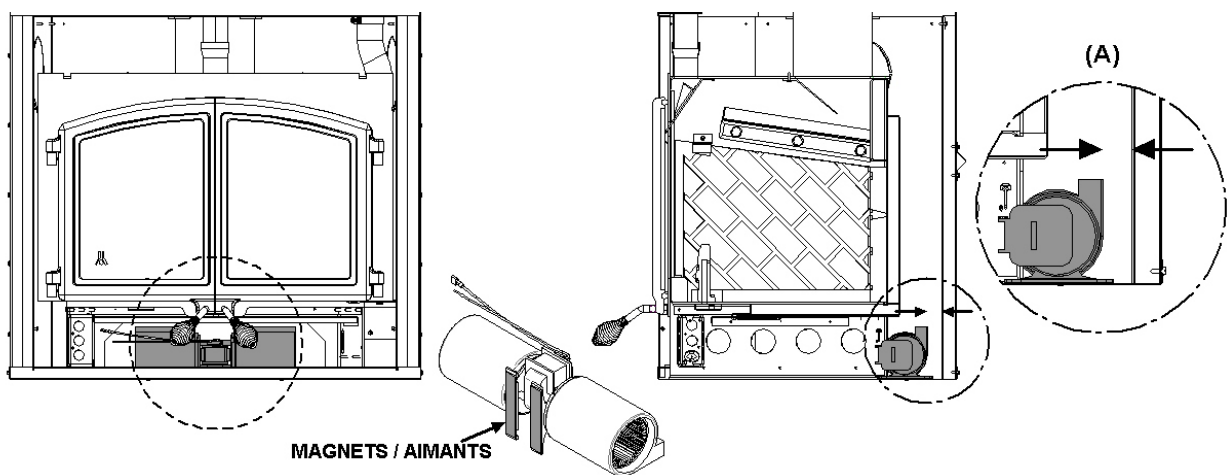


Merlot

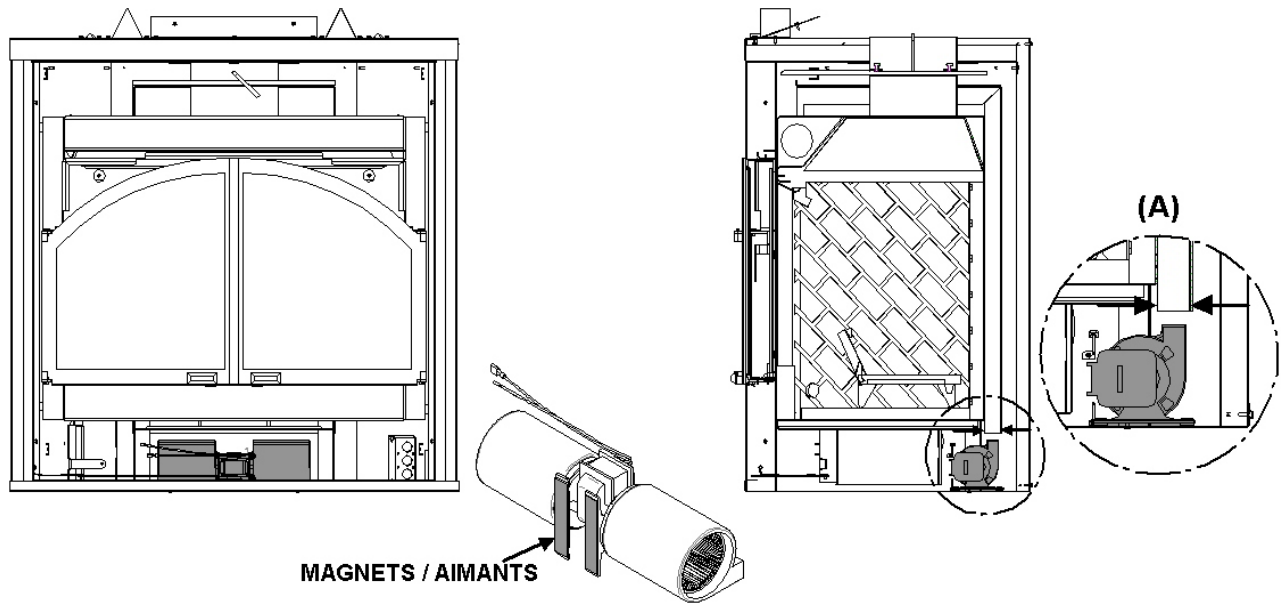


Chardonnay

2. Position the fan assembly towards the rear center of the fireplace (see Figure 3). Make sure that the fan assembly is positioned at the rear and that it is not touching the back of the fireplace to avoid any vibrations (see detail A).



Merlot



Chardonnay

3. Wire the fan assembly as per the wiring diagram (Figure 4). The rheostat (speed control) may be installed in the junction box or located remotely. When located within the fireplace junction box, a metal cover plate (included) must be installed. If located elsewhere, a metal cover plate must be installed onto the junction box (not included).

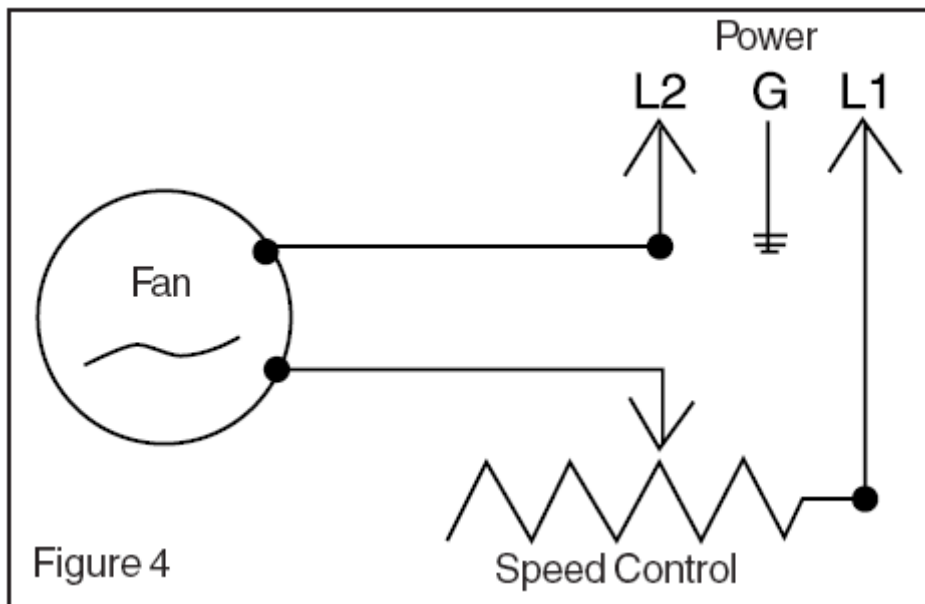
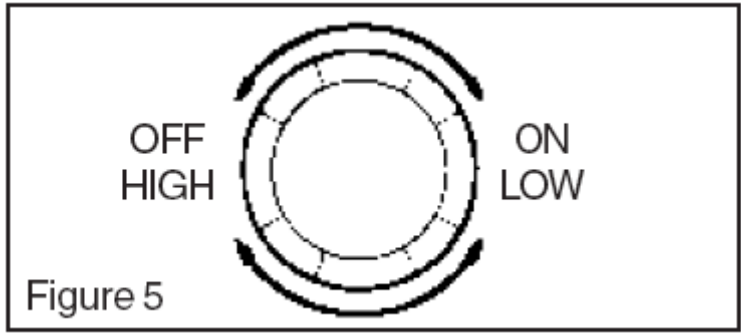


Figure 4

4. Turn the fan on or off manually by rotating the control knob on the rheostat (speed control). Select desired fan speed by rotating the control knob to the desired setting (see Figure 5).



5. Position the faceplate in its original location.