

HE40-EPA - Placement of the Soft Ceramic Blanket

To avoid the displacement of the soft ceramic blanket during transit and any potential obstruction, the soft ceramic blanket has been packaged separately within the fireplace. If EPA is required in your area, follow the following procedures for the installation of the soft ceramic blanket.

Step 1. Release the Log Retainer (Figure 1) from its locked position by pushing down on the Log Retainer and sliding the Ash Drawer forward.

Once unlocked, lift out the Log Retainer (see Figure 2).



FIGURE 1
Log Retainer



FIGURE 2
Log Retainer and Ash Drawer

Step 2. Remove the Bottom Refractory by lifting and sliding it forward enough to clear the Front Refractory (see Figure 3). Carefully lift the Bottom Refractory using both hands around its edges to provide a good support. Do not lift out of the fireplace by the rectangular opening as this may cause breakage. Remove the Front refractory (see Figure 4).



FIGURE 4
Bottom and Front Refractory

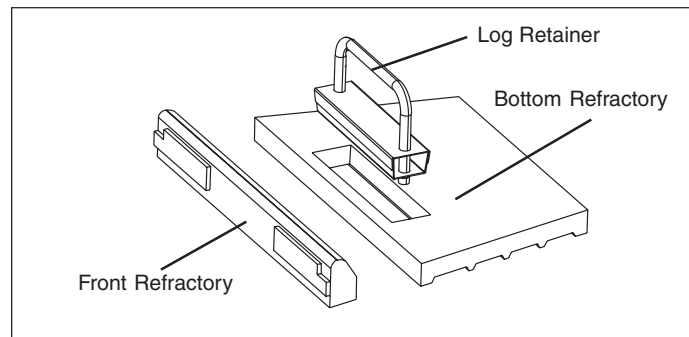


FIGURE 3 - Front, Bottom Refractory

Step 3. Remove the left hand side Refractory Retainer Clip by pushing up slightly on the front top Refractory Baffle and sliding the clip out (see Figure 5). Remove the side Refractory (tilt the top portion inward) and lift out of the fireplace. Repeat for the right hand side Refractory if so desired. Removing both sides will enable the removal of the Secondary Air Pipe #4 and the front Refractory Baffle without having to remove the Secondary Air Pipe #3.

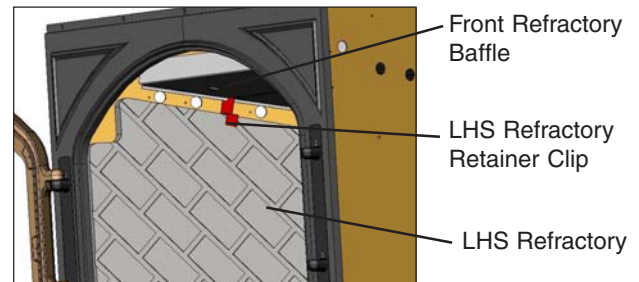


FIGURE 5 -Refractory Retainer Clip

NOTE: There is no need to remove the Back Refractory unless replacement is required. If so, all other Secondary Air Pipes must be removed in the same manner as described below.

Step 4. On the upper left hand side of the firebox, remove the securing screw from the Secondary Air Pipe #4 (counted from the back of the fireplace). Slide the pipe completely to the right until it has clear the hole. With a downward motion, slide the Secondary Air Pipe out of the opening hole on the right.

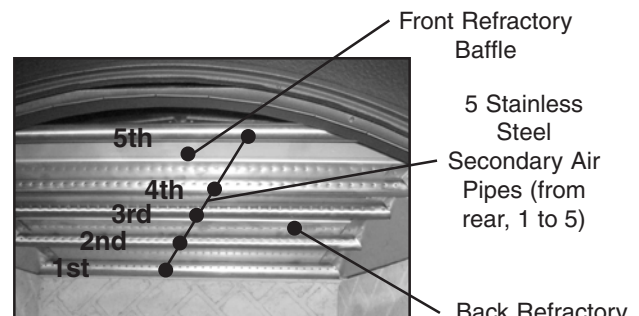


FIGURE 6

Caution: You will need to hold on and balance the Front Refractory Baffle while doing this step (see Figure 6).

Step 5. Slide the Front Refractory Baffle towards the fireplace opening from its resting place. In a downward manner remove from the fireplace (see Figure 7).

- Remove the top cardboard wedge located between the Metal Weight Plate and the top of the firebox and discard. The wedge is for transit purposes only.

NOTE: For sweeping of the chimney system, the Back Refractory Baffle can be removed by sliding the baffle between the 3rd and 4th Secondary Air Pipes (see Figure 8). This will provide a clear path so that all deposits can be safely removed from the fireplace.

Step 6. Carefully take hold and remove the Metal Weight Plate and the Rigid Insulation Hardboard with both hands in a downward manner out of the fireplace.

- The Soft Ceramic Blanket must be positioned between the Metal Plate and the Rigid Insulation Hardboard (see Figure 9 & 10). It is easier to place the Rigid Hardboard and the Soft Ceramic Blanket at the same time over the Back Refractory Baffle and positioned all the way against the back of the fireplace.
- Carefully slide the Metal Weight Plate over the Soft Ceramic Blanket all the way to the back of the fireplace without damaging the blanket.

Step 7. Re-install all parts in reversed order of removal.

IMPORTANT:

- Ensure that the Front Refractory Baffle overlaps the Back Refractory Baffle and both are snug as per Figure 11.
- Ensure the Log Retainer is put back with the 2 venturi holes facing into the firebox as per Figure 12.

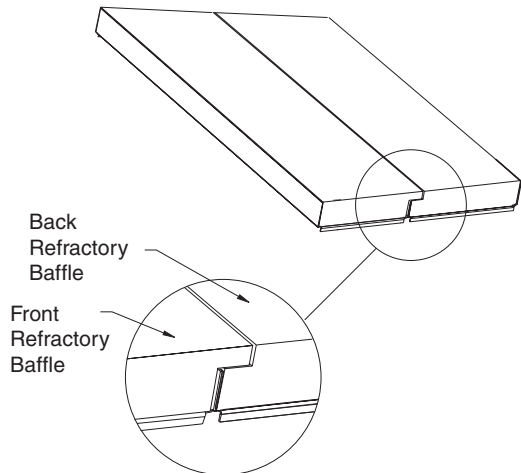


FIGURE 11 - Overlapping of the Front and Back Refractory Baffles



Tilt Baffle downward toward the front of fireplace
FIGURE 7



Tilt Baffle downward towards front of fireplace
FIGURE 8

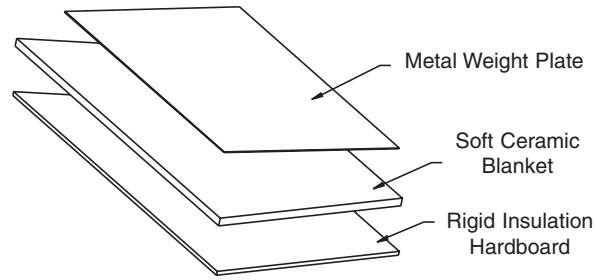


FIGURE 9 - TOP VIEW - Metal Weight Plate, Soft Ceramic Blanket, Rigid Insulation Hardboard

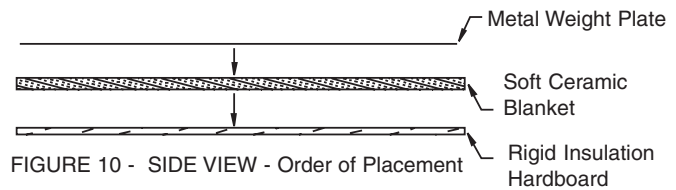


FIGURE 10 - SIDE VIEW - Order of Placement

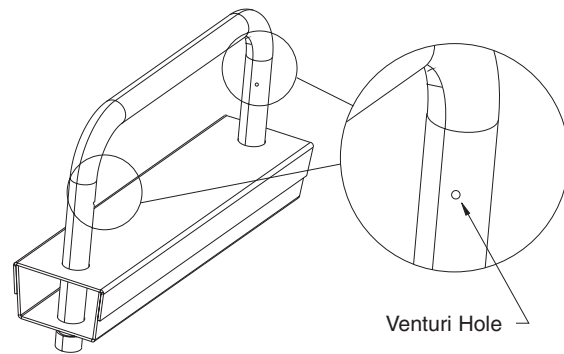


FIGURE 12 - Venturi Holes Must Face Firebox



SELKIRK CANADA CORPORATION

1400 California Avenue
 Brockville, On K6V 5V3
 Tel: 1-800-267-8178
 Fax: 1-800-663-3620
 www.selkirkcanada.com