

Bordeaux
High Efficiency-EPA Fireplace

ZERO CLEARANCE WOOD BURNING FIREPLACE



Installation Instructions & User's Guide



Intertek



Intertek

LISTED TO ULC S610-M87 & UL127 (May 2001)

SELKIRK

Selkirk Corporation
5030 Corporate Exchange Blvd SE
Grand Rapids, 49512
Toll Free: 1.800.992.VENT (8368)

Selkirk Canada Corporation
P.O. Box 526, Depot 1
Hamilton, ON L8L 7X6
Toll Free: 1.888.SELKIRK (735.5475)

TABLE OF CONTENTS

GENERAL

Safety Tips -Instruction Guidelines -Precautions.....	3
---	---

FIREPLACE INSTALLATION

Locating the Fireplace	4
Fireplace and Hearth Installation.....	5
Outside Air Kit Installation.....	5
Enclosing The BORDEAUX.....	6

CHIMNEY INSTALLATION

Chimney Installation Instructions	7
Chimney Framing Details.....	7
Firestop Joist Shield.....	7
Models SuperVent / SuperPro Chimneys	8
Models SuperVent 2100 / SuperPro 2100 C Chimneys / Model CF Chimney.....	9
Model Ultra-Temp Chimney	10
Attic Insulation Shield.....	11
Models SC, SPR, UT and CF Firestop Joist Shield Installation.....	11
Attic Insulation Shield Installation.....	11
Chase Plug Installation.....	12
Elbow Installation.....	12
Offset Supports.....	12
CF Roof Support	13
Chimney Adaptors Installation - SC, SC-1, SPR, ALT, Ultra-Temp and CF.....	13 - 14
Exterior Chimney Installation.....	14
Roof Flashing Installation.....	15

FIREPLACE OPTIONS & FINISHES

Door Options, Grilles & Installation.....	16
---	----

OPERATING INSTRUCTION FOR THE BORDEAUX

Fireplace Fuel.....	16
First Fires and Building a Fire.....	17
Combustion Control.....	17
Accelerated Combustion, Medium Combustion, Slow Combustion.....	17-18
Refueling for Best Performance.....	18
Troubleshooting.....	18

MAINTENANCE OF THE BORDEAUX

Creosote, Formation & Need for Removal.....	18
Baffle Removal.....	19- 20
Chimney Fires, what to do in the event of one.....	21
Maintenance of your glass doors.....	21
Caring of your Door Finish.....	21
Disposal of Ashes.....	21
Door Latch Adjustments and Glass Cleaning.....	22

REPLACEMENT PARTS

Glass, Gasket and Refractory Replacement.....	22
---	----

LIMITED LIFETIME WARRANTY.....

Installation Information.....	24
Warranty Registration.....	24

SAFETY TIPS BEFORE YOU START:

1. We strongly recommend to have your fireplace installed and serviced by professionals who are certified in Canada by WETT (Wood Energy Technology Transfer) or l'APC (Association des professionnels du chauffage) or in the U.S. by NFI (National Fireplace Institute).
2. Clear the working space to give you freedom of movement during installation. Move furniture, rugs, and pictures that might get in your way. Be sure to clear any insulation that has been placed over the area where the chimney will penetrate the ceiling above the fireplace.
3. Check for electrical wires in and around the intended location of your chimney and make sure that all wires are secured at least two inches away from any chimney parts. Never cut or touch any wires because a fatal shock can result. If a wire must be moved, arrange for a professional electrician to do it for you.
4. **Wear gloves while handling metal parts** to avoid personal injury. Possible sharp edges of projections can cut you.
5. Have help to install the fireplace and chimney. Avoid back injuries, lift properly.
6. Inspect your ladder for condition. Make certain that all points of the base always rest on a level, firm surface.
7. Make certain that all electricity powered tools which require grounding are properly grounded. Unprotected tools can be hazardous especially when working out-of-doors on damp ground or wet roofs.
8. A 50mm (2") minimum air space clearance must be maintained between the chimney and combustible materials. This means air space only.
9. To eliminate possible hazardous conditions, an adequate supply of air must exist in the room where the fireplace is installed.

BASIC INSTRUCTION GUIDELINES FOR FIREPLACE AND CHIMNEY INSTALLATION:

1. Combustible materials may not be placed on black, front face of the fireplace.
2. Do not obstruct or modify inlet or outlet air circulating grilles as this could cause a hazardous situation.
3. Model BORDEAUX Fireplace is **NOT** approved for installation in mobile homes.
4. The chimney cannot be greater than 45 degrees (when installed in the US 15 and/or 30 degrees offset are allowed) for 1in chimney and 30 degrees for 2in chimney from the vertical plane.
5. The minimum installed distance from the fireplace opening to an adjacent wall is 457mm (18"). See Figure 1.
6. All chimney sections and elbows require a minimum of 50mm (2") air space clearance to combustibles.
7. Locking bands or stainless sheet metal screws, maximum length of 19mm (3/4") should be used on all interior joints. Locking bands must be used on all exterior joints.

8. The first length or elbow located directly on the top of the Fireplace must be secured with a minimum of three (3) #6X3/4" stainless sheet metal screws.
9. Firestopping by means of either an Attic Insulation Shield, or Firestop Joist Shield must be provided at all joist levels.
10. Joists should be fully framed at all levels, maintaining the required 50mm (2") minimum air space clearance from the outside of the chimney to the inside of the framing. See Figure 4 for minimum required framing.
11. A Rafter Radiation Shield is required on all roofs joist framing when the chimney is totally enclosed up to the roof (maintaining a 50mm (2") minimum air space).
12. The Insulated chimney must be installed directly on the top of the fireplace by means of an adapter (see Page 13).
13. Maintain a minimum of 4' of clearance space to combustible materials from the front of the fireplace.
14. SuperVent (Models FC, SC, SPR, JM, & ALT) and Selkirk (Models UT, CF & U1) Insulated chimneys in 6" or 7" diameters have been approved for use with the Bordeaux Fireplace, and must be installed in accordance with these installation instructions provided with the fireplace.
15. The Fireplace may be installed directly upon combustible construction and with clearance "air space" to adjacent combustible construction as established by standoffs.

IMPORTANT INSTALLATION PRECAUTIONS

The BORDEAUX fireplace is an energy efficient, heat circulating, zero clearance fireplace. You will receive a lifetime of comfort and enjoyment from your fireplace provided that it is installed, maintained and operated properly.

Your fireplace must be installed in accordance with these installation instructions. Please read these instructions before proceeding to your installation.

Prior to starting the installation, contact local building or fire officials about restrictions and installation inspection requirements in your area. Your installation must conform with all federal and municipal building code requirements.

Your Model BORDEAUX has been tested and listed using all of the chimney, supports, shields, etc., described in the following installation procedures. Deletion or modification of any of the required parts or materials may seriously impair the safety of your installation, and void the manufacturers warranty and the conditions of approval.

WARNING: DO NOT PLACE ANY INSULATING MATERIALS OR RUN ANY ELECTRICAL WIRING WITHIN THE REQUIRED AIR SPACE CLEARANCES SURROUNDING THE CHIMNEY.

NOTE: When installed in areas with continuous temperatures below -18°C (0°F), the use of external chimneys may result in operational problems such as poor draft, excessive condensation of combustion products and rapid accumulation of creosote. Under these circumstances, the installation of the chimney within the building (within the house envelope) is strongly recommended. Better chimney and appliance operation will be obtained if the chimney is located entirely inside the heated part of the building (except of course for the part above the roof).

If the chimney must be installed on an exterior wall it is recommended that the chimney be enclosed below the roof line to protect the chimney from cold outdoor temperatures, this may improve draft and appliance operation. Exterior enclosures may be insulated, maintaining the required minimum air space clearances of 50mm (2") to the chimney. Consult local building codes for cold climated applications.

CAUTION: EACH APPLIANCE SHOULD HAVE ITS OWN CHIMNEY. DO NOT CONNECT THIS UNIT TO A CHIMNEY FLUE SERVING ANOTHER APPLIANCE.

Maintain a 50mm(2") minimum clearance (air space) between the chimney and combustible materials.

CAUTION: KEEP COMBUSTIBLE MATERIAL AT LEAST 48 INCHES (4 FEET) AWAY FROM THE FRONT OF THE FIREPLACE

In order to eliminate possible hazardous conditions, an adequate supply of air must exist in the room. An air valve assembly is included with your fireplace. Connect the outside air kit (optional) to the air valve assembly to ensure an adequate air supply exists.

WARNING: THE OUTSIDE AIR KIT MUST BE INSTALLED ON THE BORDEAUX FIREPLACE.

Please read the instruction carefully and retain this manual for future references.

CAUTION: DO NOT USE GASOLINE, KEROSENE, CHARCOAL LIGHTER FLUID OR SIMILAR LIQUIDS TO START A FIRE IN THIS FIREPLACE.

CAUTION: YOUNG CHILDREN SHOULD BE SUPERVISED WHEN THEY ARE IN THE SAME ROOM AS THE FIREPLACE

WARNING: THIS FIREPLACE HAS NOT BEEN TESTED WITH AN UNVENTED GAS LOG SET. TO REDUCE THE RISK OF FIRE OR INJURY, DO NOT ATTEMPT TO INSTALL ONE INTO THIS FIREPLACE. TO DO SO MAY RESULT IN AN UNSAFE INSTALLATION.

The doors must be closed and latched during operation. Leaving the door partly open may allow for smoke being drawn into the room.

WARNING: THE FIREPLACE CAN BE OPERATED ONLY WITH DOORS FULLY CLOSED.

CAUTION: USE ONLY SELKIRK GLASS DOORS FOR THE BORDEAUX

FIREPLACE INSTALLATION

LOCATING THE FIREPLACE

Select the fireplace location taking into consideration such things as room size, traffic patterns, location of doors and windows, chimney location, and required clearances to sidewalls(See Figure 1). With proper planning, slight adjustments now can save considerable time and expense later.

Be very careful around electrical wiring and be sure it is secured at least 50mm (2") away from any part of the chimney. If wiring must be relocated, hire a certified electrician. As an alternative, you may wish to offset the chimney, or move the fireplace to another location.

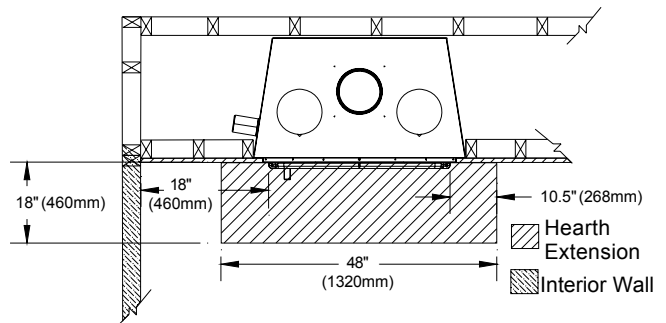


FIGURE 1

The BORDEAUX must be installed on a level surface capable of supporting the fireplace and the chimney. The weight of the fireplace is approximately 450 lbs. Usually, no additional flooring support is needed for the fireplace. Consult your local building code to determine if additional support is needed.

Make sure that the chimney will not intersect a structural member when passing through a ceiling, roof or floor. If the chimney is going to intersect a structural member, either offset the chimney, or move the fireplace so the structural integrity of the house will be maintained.

When installing the outside air kit, consideration must be taken as to where the outside air duct will be installed.

FIREPLACE AND HEARTH INSTALLATION

Your Selkirk Fireplace has been designed to be placed directly on a flat combustible floor (i.e., Plywood). Special support structures may be required where the weight of masonry used on a raised hearth or facing exceeds the floor loading allowed by local building codes.

Once the fireplace and chimney installation locations have been chosen, remove any combustible materials such as carpeting or vinyl floors from where the fireplace will be positioned. An area for the hearth extension must also be removed 268mm (10-1/2") on both sides of the fireplace opening and 460mm (18") in front of the fireplace (See figure 1).

The standoff spacers incorporated onto the unit establishes clearances to the fireplace on the sides, back and top. If insulation or vapor barriers are exposed, they must be covered with a suitable building material (i.e. Drywall, Plywood) to ensure proper clearances are maintained. Do not fill the spaces around the fireplace with blown or fill type insulation.

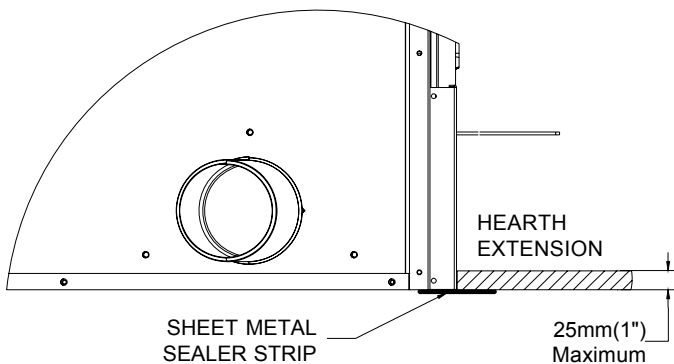


FIGURE 2a

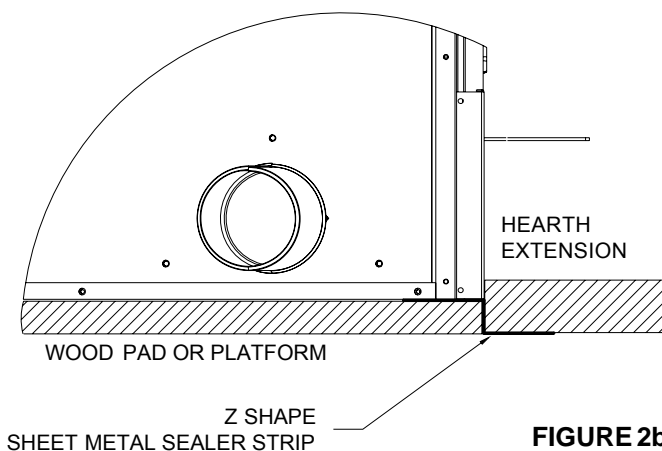


FIGURE 2b

The hearth extension can be made of slate, brick, marble, tile or similar non-combustible material. If the hearth extension is thicker than 25mm (1"), then a continuous wooden pad or platform is required to raise the fireplace to suit the

thickness of the hearth extension. If a raised hearth extension is desired, then the whole fireplace again must be raised accordingly.

DO NOT BLOCK THE CIRCULATING AIR INLET OR THE COMBUSTION AIR CONTROL HANDLE.

In order to minimize the possibility of a fire caused by hot ashes falling between the hearth extension and the fireplace, a sheet metal sealer strip must be installed and used as shown in figure 2a and 2b.

Move the fireplace into its final position, once in place secure the fireplace to the floor through the nailing flange with screws or nails.

OUTSIDE AIR KIT INSTALLATION

During operation, the fireplace requires air for combustion and draws air out of the house. It may affect the performance of other appliances such as gas or oil furnaces, exhaust fans and fan driven appliances. This may cause a negative pressure in the house allowing smoke to back into the home. To avoid cancellation of warranties and/or possible cause of internal fires, we have made the installation of the Outside Air Kit mandatory.

WARNING: THE OUTSIDE AIR KIT MUST VENT AND TERMINATE TO THE OUTSIDE ONLY. DO NOT INSTALL THE HOOD ASSEMBLY IN A GARAGE, CARPORT, ATTIC, OR BASEMENT.

The air valve assembly has been shipped with the fireplace, and has been designed to be installed on the left-hand side of the fireplace (See figure 3a) by lining-up both V-notch and turning the air valve assembly to engage the fireplace sheet metal in between the beveled bead of the Air Valve Stub.

The maximum length approved for the aluminum flexible air duct is 4.9m (16ft.) of which 3m (10ft.) may be vertical above the fireplace. The hood assembly may be above or below floor level.

Ensure that your air source is not close to automobile exhaust, gas meters or other vents, or possible snow blockage.

Locate a position in the outside wall to install the hood assembly; ensuring the duct is long enough. Cut a hole through the outside wall approximately 83mm (3-1/4") in diameter and install the hood assembly (opening facing down) to the exterior wall. Fasten the hood to the wall with screws and seal with a suitable caulking (See Figure 3b). To maintain a continuous vapor barrier, a bead of silicone sealant should be applied to the interior wall prior to sliding the cover plate over the hood stub.

At both ends, carefully pull back the insulation and plastic cover, exposing the flexible duct. Fasten to the inlet of the hood and the fireplace air valve stub with the clamps provided (see Figures 3b and 3c). Carefully pull back the insulation and plastic cover back over the duct. Tape the plastic cover in place with aluminum duct tape (not supplied). This will help in providing stable and regular airflow into the BORDEAUX fireplace.

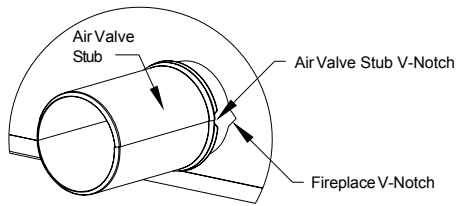


FIGURE 3a

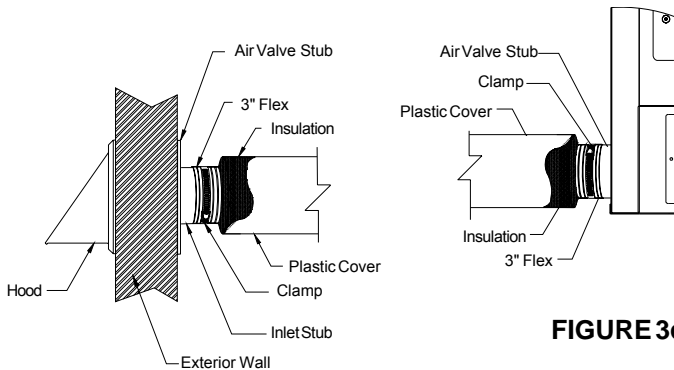


FIGURE 3b

FIGURE 3c

For the minimum framing dimension for a 45° corner installation see Figure 5. For general dimension of the BORDEAUX see Figure 6.

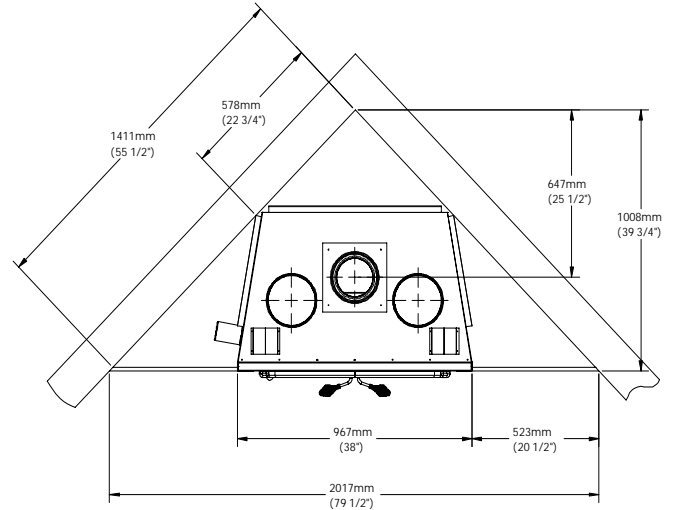


FIGURE 5

ENCLOSING THE BORDEAUX

The fireplace framing and enclosure can be finished using a material of your choice (2X3 or 2X4 studs, plywood, gyproc, etc). Figure 4 shows the minimum framing dimensions.

NOTE: DO NOT PACK THE REQUIRED AIRSPACES WITH INSULATION (I.E.. BETWEEN THE TOP SPACERS AND THE FIREPLACE)

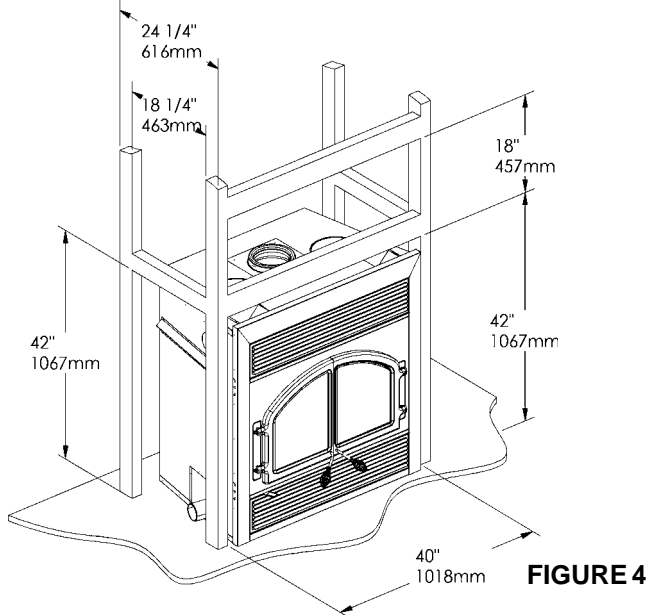


FIGURE 4

NOTE: FIREPLACE ENCLOSURE ABOVE THE FIREPLACE MUST HAVE A MINIMUM HEIGHT OF 1016MM(40\"/>

When framing the fireplace, apply the header on edge as to maintain all required clearances and also to provide support for the facing or mantel. Framing material must not be closer to the fireplace than the standoffs on the fireplace top, side and back.

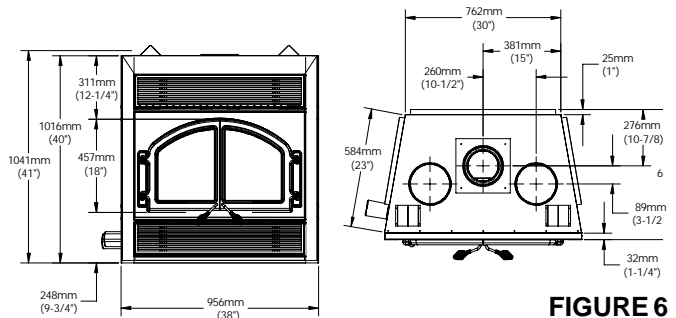
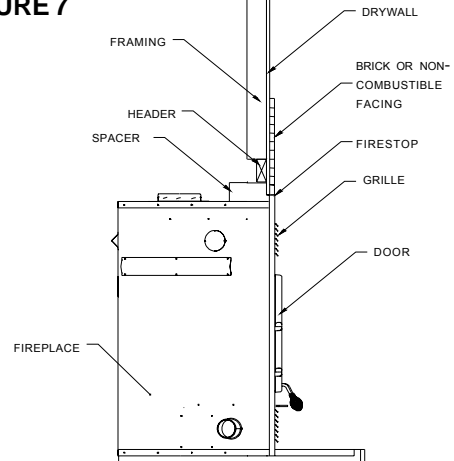


FIGURE 6

Non-combustible materials may be used to finish the surround of the fireplace. When using a non-combustible material, a fire stop must be installed either above or below the surround so that hot air does not radiate behind the brick facing and cause combustibles to overheat.

FIGURE 7



NOTE: WHEN FINISHING THE FIREPLACE, NEVER OBSTRUCT OR MODIFY THE AIR INLET/OUTLET GRILLES

If a combustible mantle is to be installed, do not install it closer than a minimum of 533mm (21") above the fireplace opening as shown in figure 8.

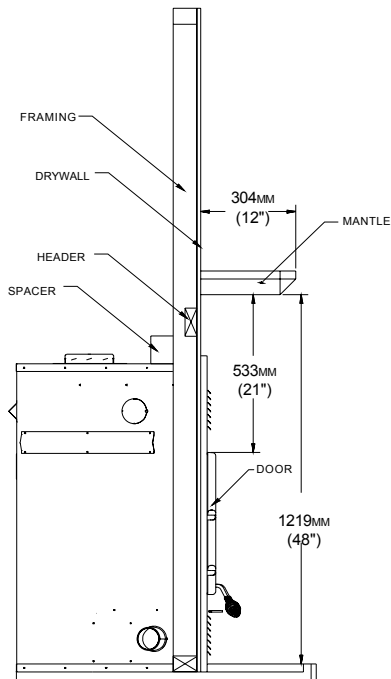


FIGURE 8

CHIMNEY INSTALLATION INSTRUCTIONS

The minimum approved system height is 4.3m(14') above the fireplace. The fireplace is designed to support up to 7.6m(25') of vertical chimney. For greater heights additional supports are required at each 8.0m(24').

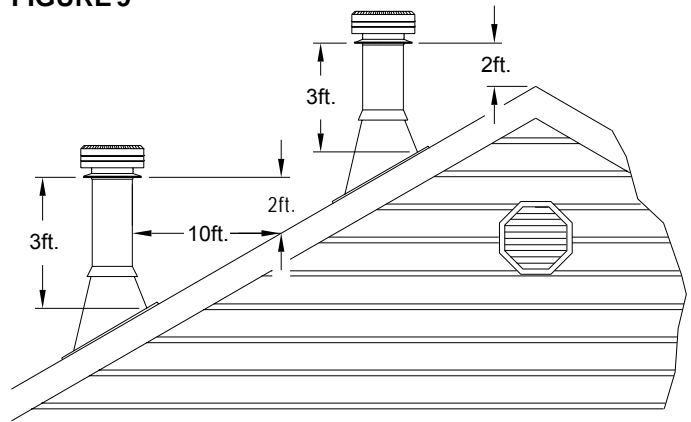
Except for installation in one and two family dwellings, your chimney that extends through any zone above that on which the connected appliance is located, is to be provided with an enclosure having a fire resistance rating equal to or greater than that of the floor or roof assemblies through it passes.

Authorities require that the chimney extend not less than 1m(3') above the highest point where it passes through the roof of a building and not less than 609mm(2') above any portion of the building within 10'. See figure 9.

The use of locking bands or stainless sheet metal screws (#6 x 3/4") should be used on all interior joints. Locking bands must be used on all sections that make up an offset and exterior joint.

Figures 11-14 shows the four basic types of installations most likely to be encountered when installing BORDEAUX fireplace system.

FIGURE 9



CHIMNEY FRAMING DETAILS

Plan your chimney installation carefully. Lay out and frame in the required openings, ensuring the specified 50mm(2") clearance to combustibles is maintained. All openings should be square, plumb, and in perfect alignment with each other. See figure 10a.

For sloping roofs, ensure that the framing dimension is measured in the horizontal plane. See figure 10b.

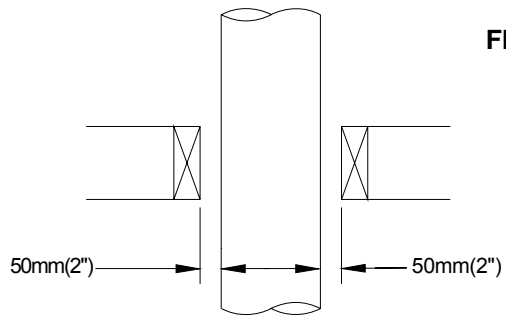


FIGURE 10a

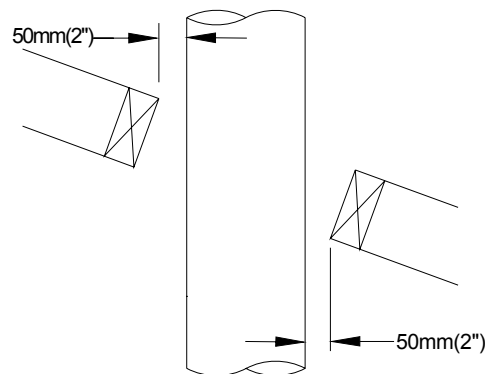


FIGURE 10b

FIRESTOP JOIST SHIELD

All joist areas must be fully framed to accept a Firestop Joist Shield. The Ultra-Temp Firestop Joist Shield must be used at all joist levels except an open attic level. Use 1-1/2" nails to attach it to the joists. The shield may be trimmed but must remain 25mm (1") below or above the ceiling.

Models SuperVent / SuperPro

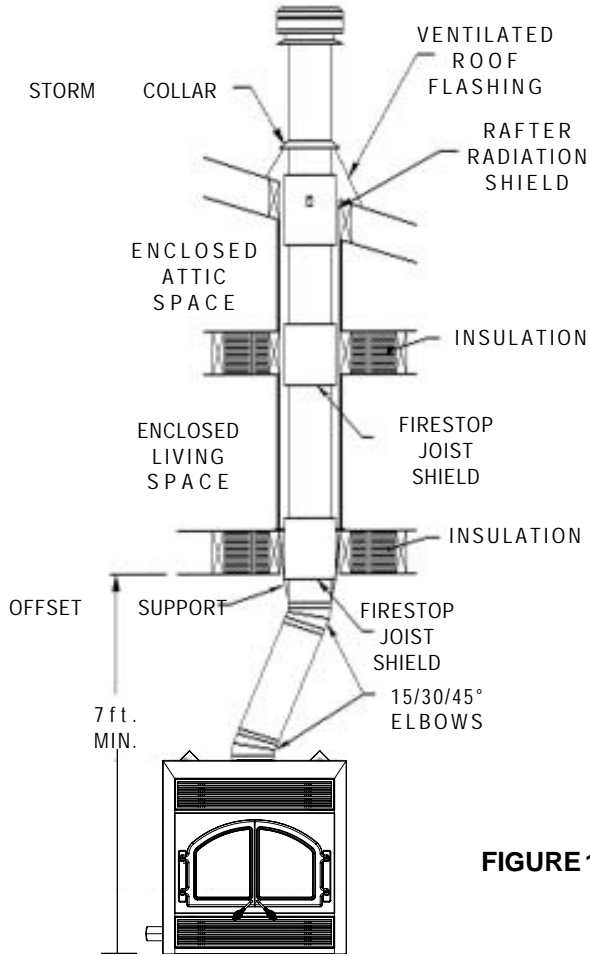


FIGURE 11a

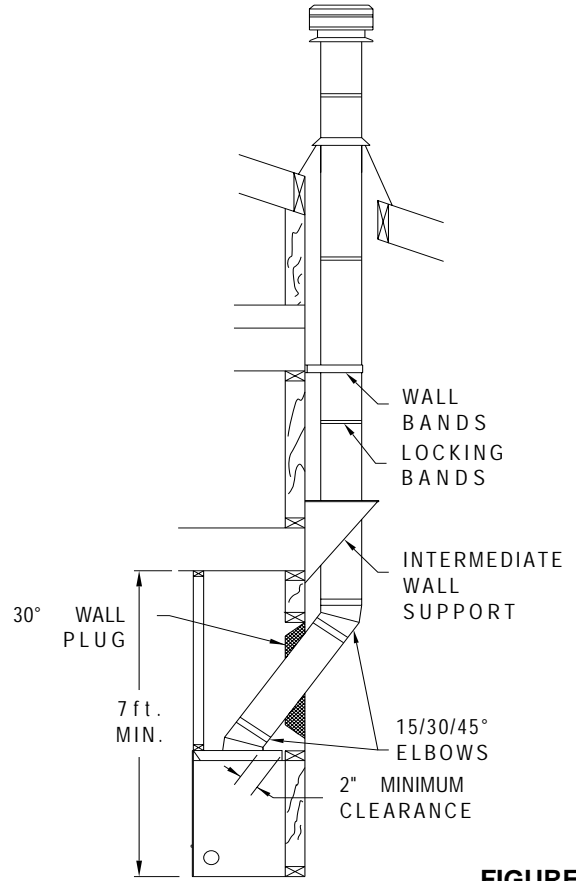


FIGURE 11c

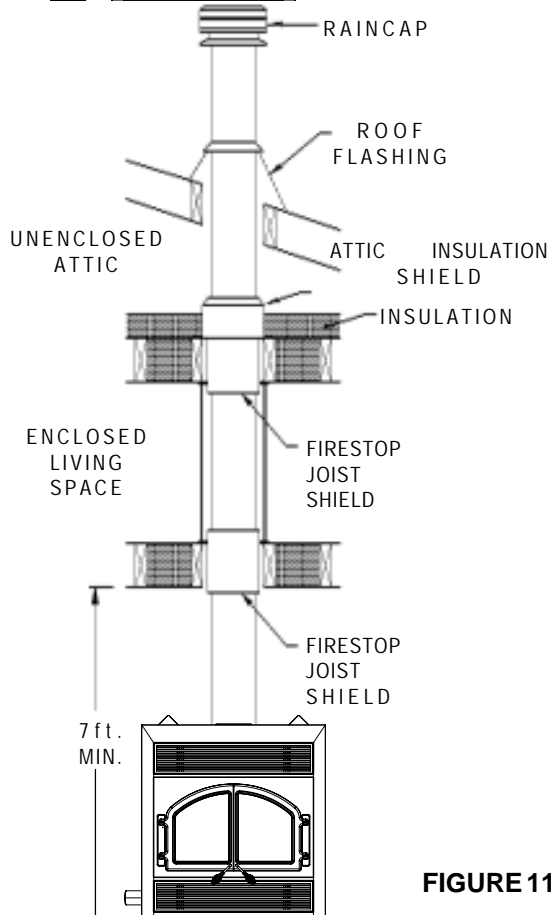


FIGURE 11b

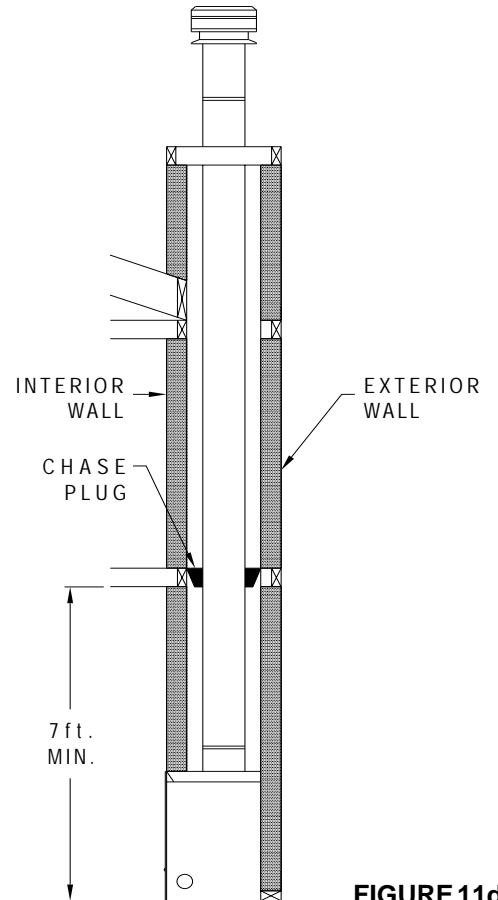


FIGURE 11d

Models SuperVent 2100 / SuperPro 2100 Chimneys

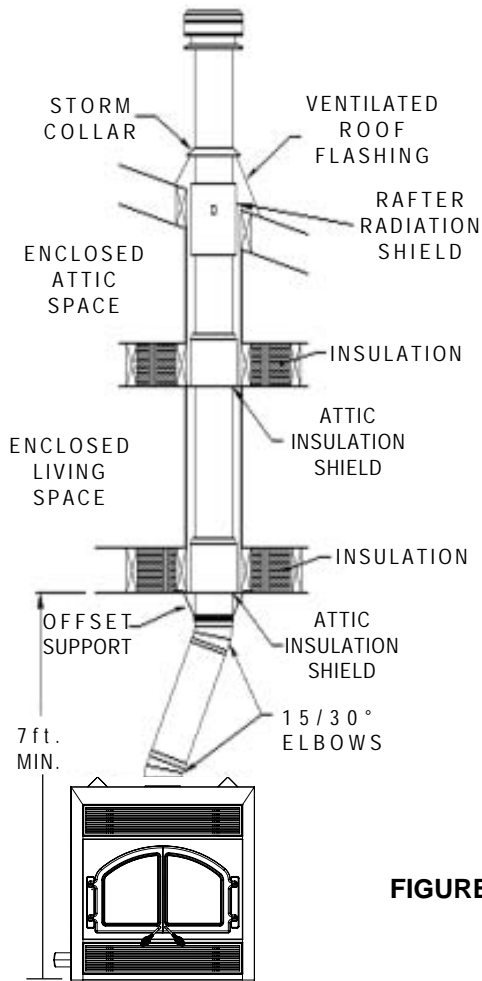


FIGURE 12a

Model CF Chimney

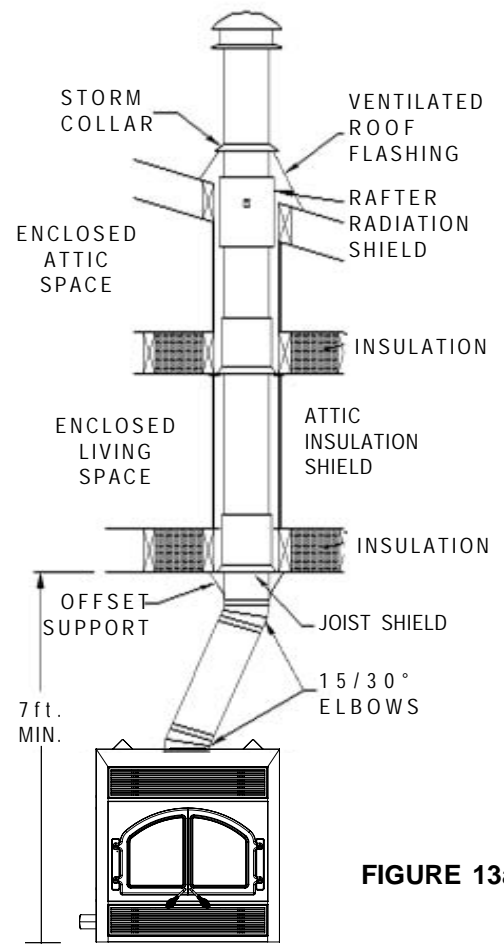


FIGURE 13a

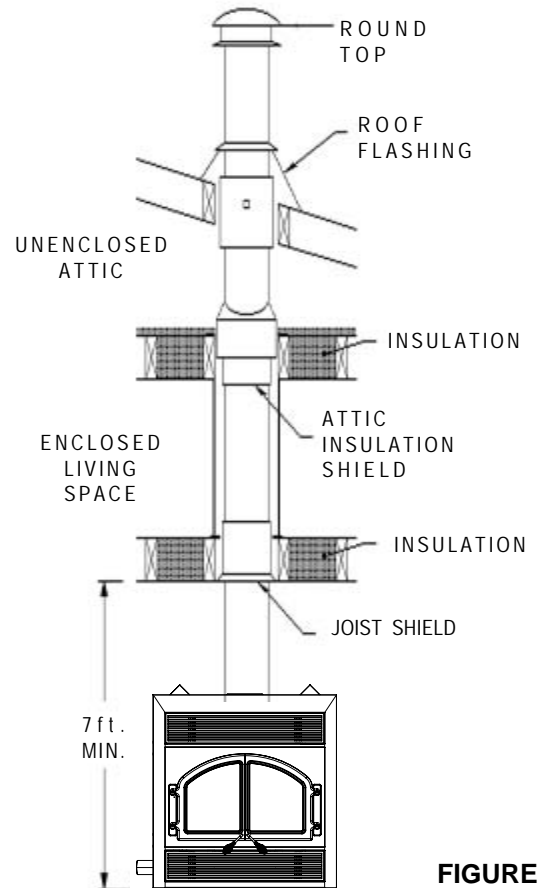
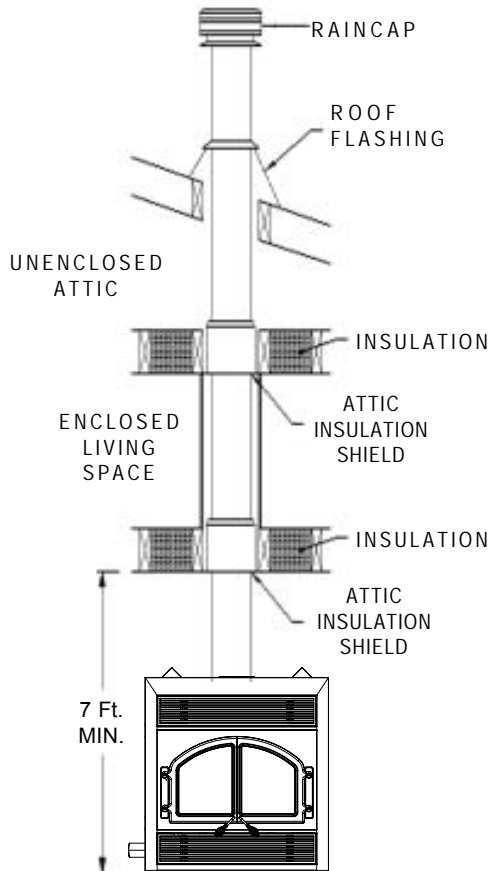


FIGURE 13b

Model Ultra-Temp Chimney

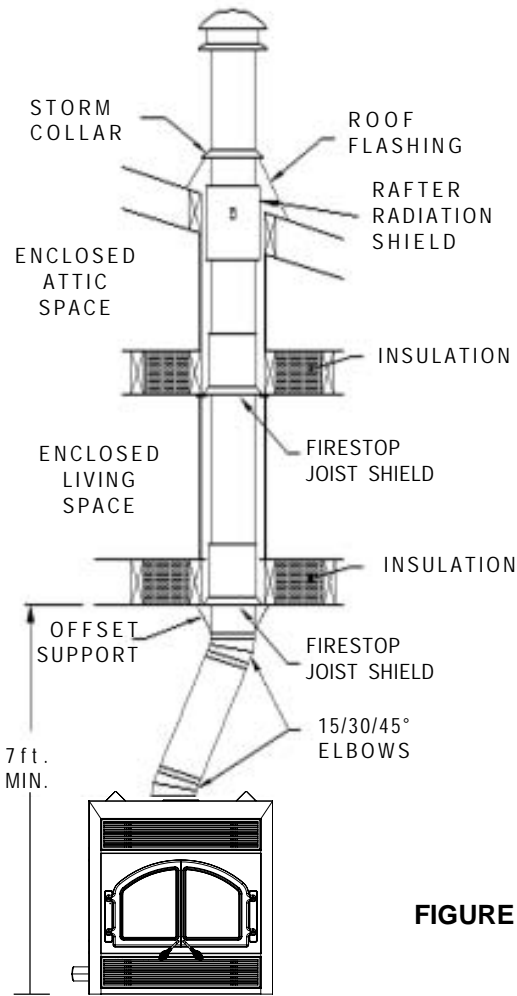


FIGURE 14a

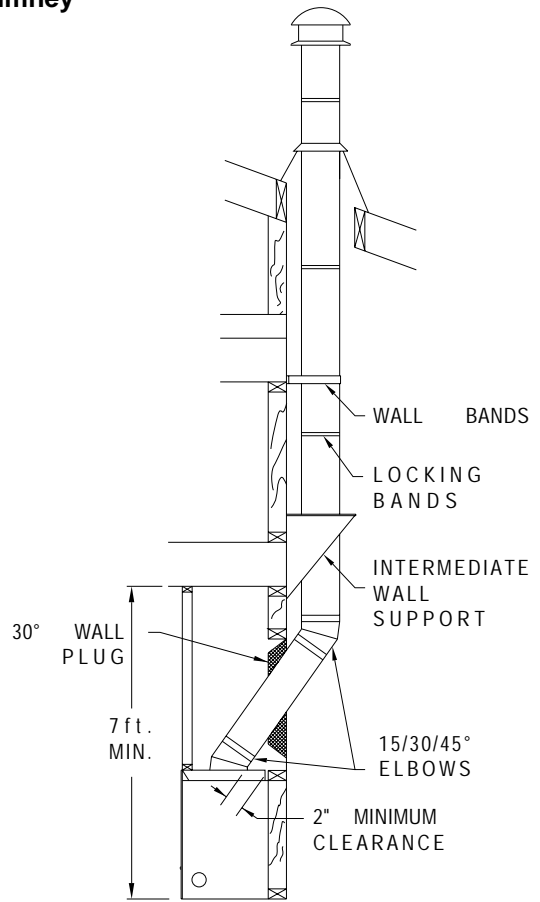


FIGURE 14c

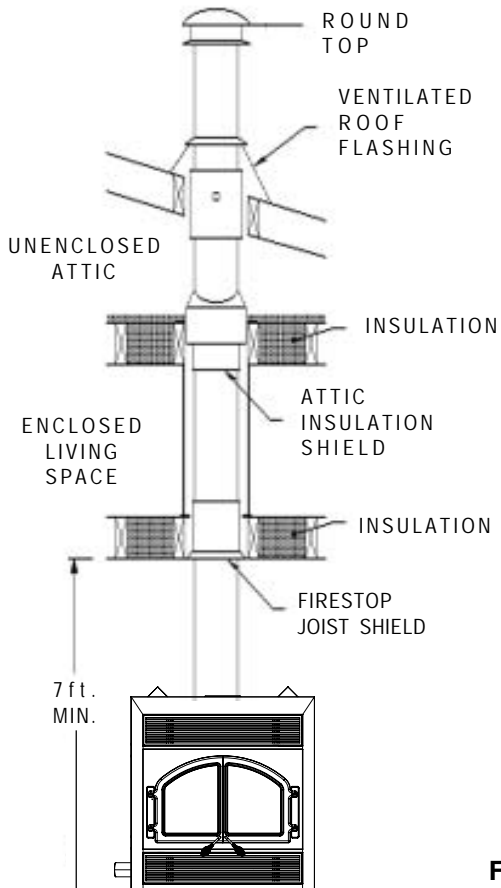


FIGURE 14b

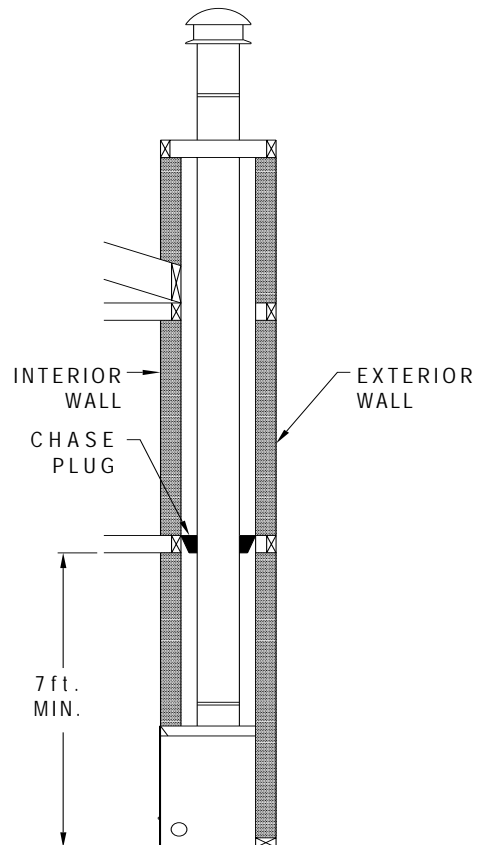


FIGURE 14d

ATTIC INSULATION SHIELD

(Models JSC/SPR, Ultra-Temp & CF)
 The Attic Insulation Shield will allow a depth of insulation of 10 inches plus the depth of the ceiling joist. The opening must be fully framed on all 4 sides at 2 inches clearance to combustibles. The square base is placed on top of the framed opening and the tabs are inserted within the opening. Nail the base to the framing with at least 1 nail at each corner. If the chimney with the attic space will be enclosed, a Rafter Radiation Shield must be installed at the roof level and a Firestop Joist Shield at the ceiling level. DO NOT CUT the upper portion.

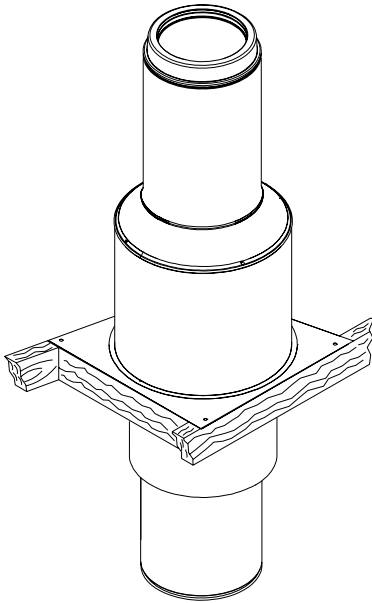
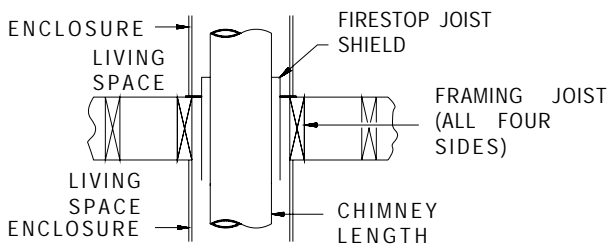


FIGURE 15

FIRESTOP JOIST SHIELD INSTALLATION

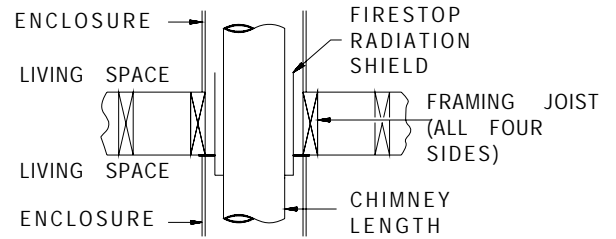
(SuperVent Model SC, & SPR)
 The Firestop Joist Shield must be installed whenever the chimney passes through a floor or ceiling from one living space to another living space. The Firestop Joist Shield has been tested and approved to be installed from either above or below the joist. See figure 11.

If installing the Firestop Joist Shield from below the joist, ensure that there is no insulation or other combustibles within the 50mm(2") air space around the chimney. This includes the air spaces between the Firestop Joist Shield and the joist.



FIRESTOP INSTALLED ABOVE THE JOIST

FIGURE 16a



FIRESTOP INSTALLED BELOW THE JOIST

FIGURE 16b

FIRESTOP JOIST SHIELD INSTALLATION

(Selkirk Model Ultra-Temp)
 All joist areas must be fully framed to accept a Firestop Joist Shield. The Firestop Joist Shield must be used at all joist levels except an open attic level. Use 1-1/2" nails to attach it to the joists. The shield may be trimmed but must remain 25mm (1") below the ceiling.

CF JOIST SHIELD INSTALLATION

(Selkirk Model CF)
 The CF Joist Shield must be used at all joist levels except an open attic level. It is installed from below using 1-1/2" nails. It cannot be cut down.

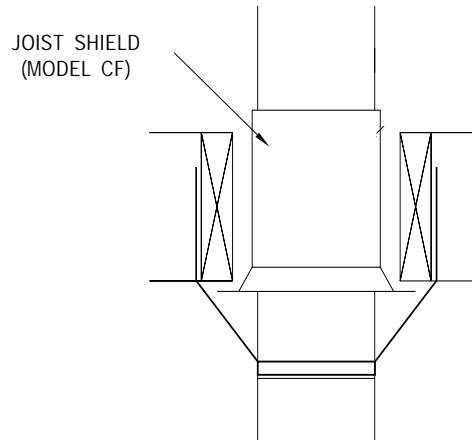


FIGURE 17

ATTIC INSULATION SHIELD INSTALLATION

(SuperVent Models SC, SPR, SC-1, UT, ALT and CF)
 An Attic Insulation Shield must be installed where the chimney passes from the lower living space to an upper enclosed attic space. It is designed to keep insulating materials away from the chimney and will protect up to 250mm(10") thickness of insulation. In Canada the Attic Insulation Shield is installed along with the firestop as shown in Figure 18a. In the United States the Attic Insulation Shield is installed as shown in Figure 18b.

(SuperVent Models SC, & SPR)

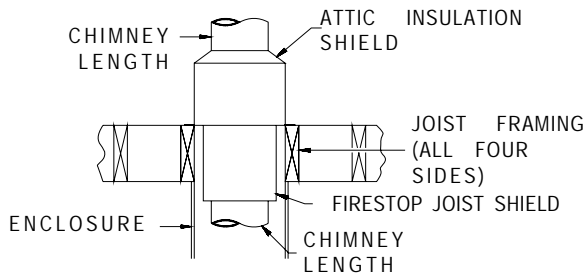


FIGURE 18a

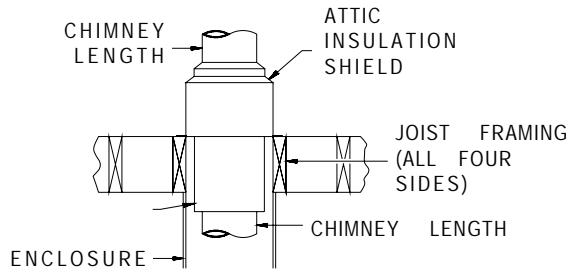


FIGURE 18b

(Supervent Models SC-1, & ALT)

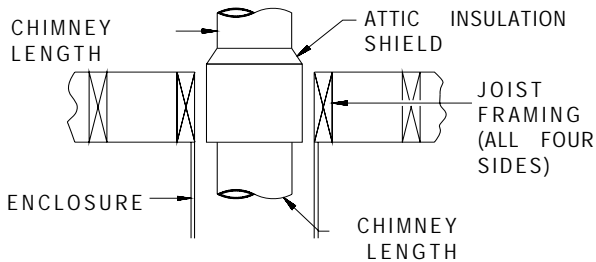


FIGURE 18c

CHASE PLUG INSTALLATION

The Insulated Chase Plug is designed and manufactured to maintain the thermal envelope of your house. It is installed from the bottom side of a 13" (330mm) square opening using 8 - 2"(6d) spiral nails. See figure 19.

Whenever the Insulated Chase Plug is used, the chimney must be enclosed immediately above the joist in which it is installed such as in a chase application.

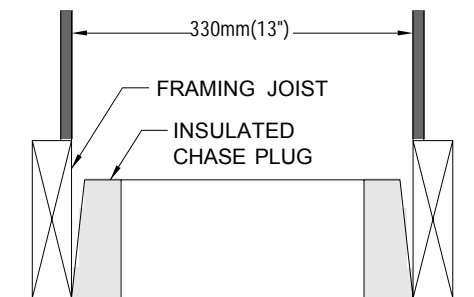


FIGURE 19

ELBOW INSTALLATION

(SuperVent Models SC, SC-1, Ultra-Temp, SPR, ALT & CF)

For offset installations of the 1 inch chimney (SC, SPR, Ultra-Temp) a maximum of 2-45° and 2-15° or 4-30° elbows may be used. For offset installations of the 2 inch chimney (SC-1, ALT, CF) a maximum of 4-30° elbows may be used.

During installation of elbows, make sure to provide supplementary support for the offset sections to avoid any undue stress on connected elbows.

Never install an elbow in a joist area. Chimney sections must pass vertically through framed joist areas.

Install an elbow support just above the highest elbow. Attach the support band to the chimney by installing eight sheet metal screws through the pre-punched holes. Nail the four support bands to the side of the framing using 6d(2") spiral nails. Each elbow support will support 8m(30ft.) of chimney. See figure 20.

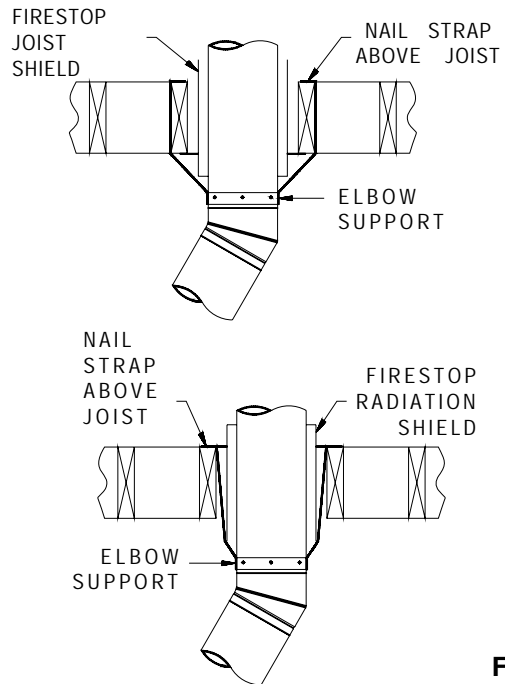


FIGURE 20

OFFSET SUPPORTS

(Model Ultra-Temp)

Support for a chimney offset need not be immediately above offset, but must be within 6m (20') of the lower elbow of an offset. Supports can hold up to 9m (30') of chimney, 6m (20') of which can be suspended (see Figure 21).

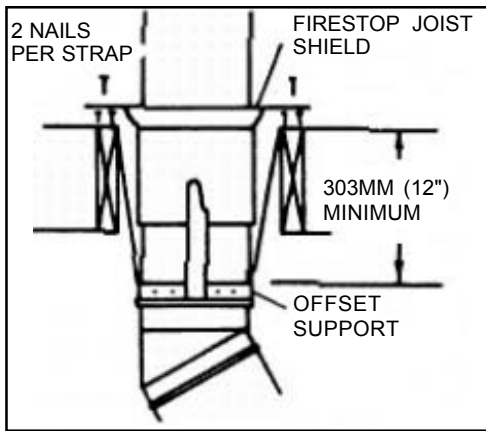


FIGURE 21a

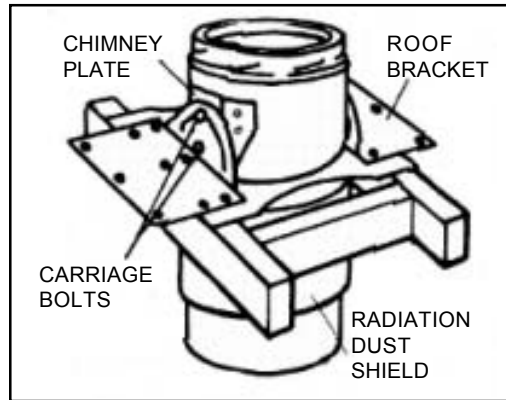


FIGURE 22a

OFFSET SUPPORTS

(Model CF)

The Offset Support is packaged with each Elbow Kits. The Offset Support can be put below a Joist Shield of the Attic Insulation Shield. The Support Straps are run along the outside of the joists and nailed using eight (8) 1-1/2" nails (2 per side). See Figure 21b.

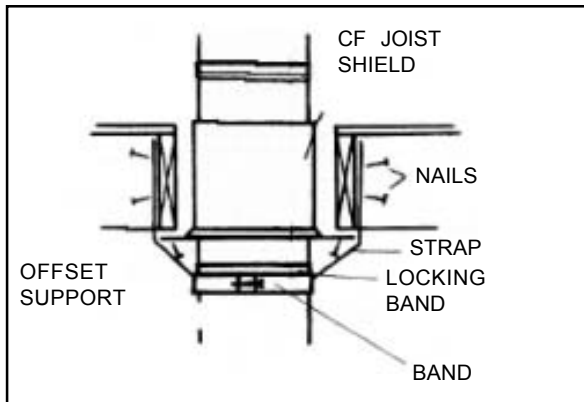


FIGURE 21b

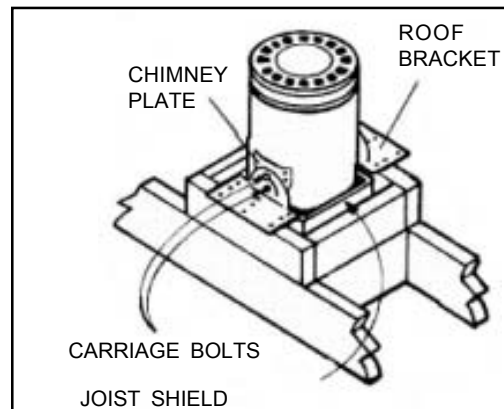


FIGURE 22b

CF ROOF SUPPORT

The CF Roof Support can be used with either the Ultra-Temp chimney (see Figure 22a) or the CF chimney (see Figure 22b). The CF Roof Support is located on top of the joists and is installed after an Intermediate Joist Shield is installed (when required). Install two (2) carriage bolts per chimney plate in the square holes. Bend the plates to suit the curve of the chimney. Using the plate as a template drill 3/32" holes in the casing. Attach the plates using the stainless sheet metal screws provided. Attach the Roof Brackets to the chimney plates using the installed carriage bolts. Set the assembly into position and adjust and tighten the carriage bolts. Screw the plate to the joist using the (6) large wood screws per bracket.

FIREPLACE ADAPTER

(Model SC, SC-1, SPR, ALT, UltraTemp and CF)

The chimney system cannot be installed until a Fireplace Adaptor is positioned onto the fireplace. See Table on the next page for the proper Fireplace Adaptor for the selected chimney system.

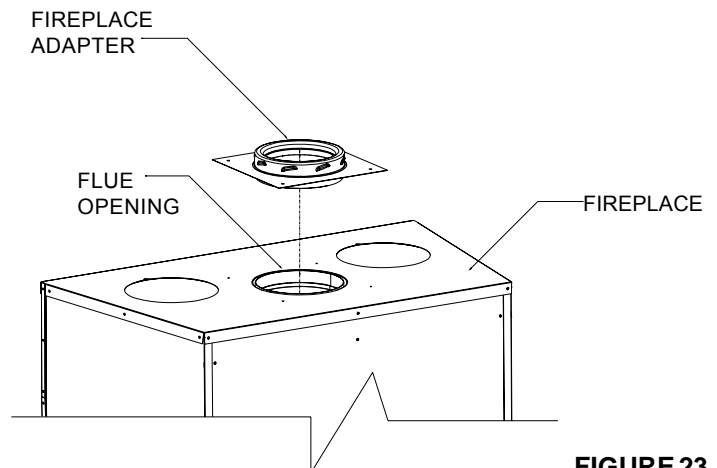


FIGURE 23

Install the Fireplace Adapter into the fireplace flue opening. Ensure the Adapter is completely inserted into the opening until the bottom edge of the band (beveled band for 6" and a straight band for 7") bottoms out on the top of the bead ledge inside of the fireplace exhaust pipe (see Figure 24).

Align the Adapter with the four (4) holes on the fireplace top.

Secure the Adapter to the fireplace using the screw provided.

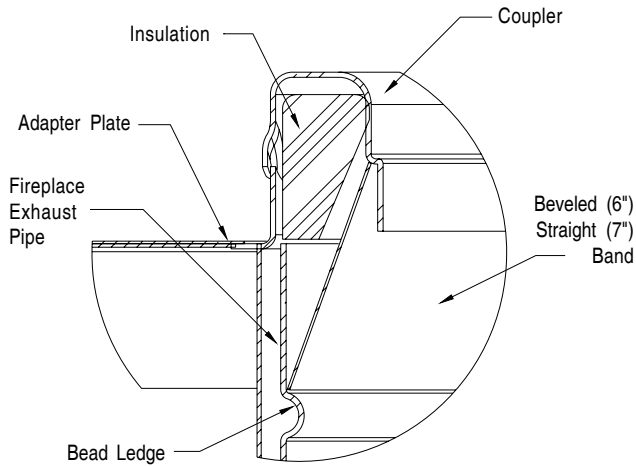


FIGURE 24

EXTERIOR CHIMNEY INSTALLATIONS

On a through the wall installation as shown in figures 11c and 14c, an intermediate wall support is required immediately above the second elbow which will support up to 10m(30ft.) of chimney.

Install one length of chimney on the second elbow and secure in place with a locking band. Assemble the intermediate wall support and slide the assembly over the section just installed. Fasten the intermediate wall support to the wall using four 1/4 x 2" lag bolts, or wood screws so that the hole in the plate is located in the middle of the chimney section. Install the draw band around the chimney so that it is securely against the support plate and supporting the weight of the chimney. Install four sheet metal screws firmly into the outer casing of the chimney, through the pre-punched holes in the draw band. See figure 25.

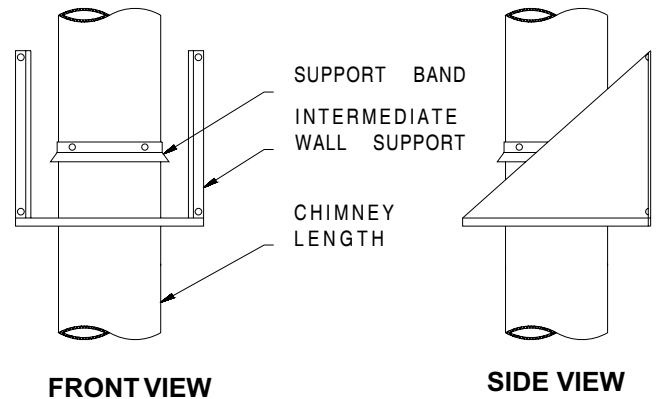


FIGURE 25

FIREPLACE ADAPTER FOR APPROVED SELKIRK CHIMNEY MODELS			
TESTED TO	CHIMNEY MODELS	DIAMETER	FIREPLACE ADAPTER
CAN/ULC-S610 CAN/ULC-S604 UL 103 Type HT	SuperVent (JSC)	6 x 1 7 x 1	HE-6SC HE-7SC
	SuperPro (SPR)	6 x 1 7 x 1	
	Ultra-Temp (UT)	6 x 1 7 x 1	HE-6UT HE-7UT
	UltimateONE (U1)	6 x 1 7 x 1	
CAN/ULC-S629)	UltimateONE (U1)	6 x 1 7 x 1	HE-6UT HE-7UT
	Sentinel (CF)	6 x 2+ 7 x 2+	
	SuperVent 2100 (JM)	6 x 2 7 x 2	HE-6JM HE-7JM
	SuperPro 2100 (ALT)	6 x 2 7 x 2	

Wall bands must then be installed at 2.4m(8ft.) intervals above the intermediate wall support.

Using the nut and bolt supplied, fasten the wall band around the chimney section. Then secure the band to the wall using two 6d(2") spiral nails or appropriate masonry fasteners for concrete walls.

ROOF FLASHING INSTALLATION

Ensure that you have the proper roof flashing by checking your roof pitch using a level and two rulers, or by using a roof pitch card. See figure 26.

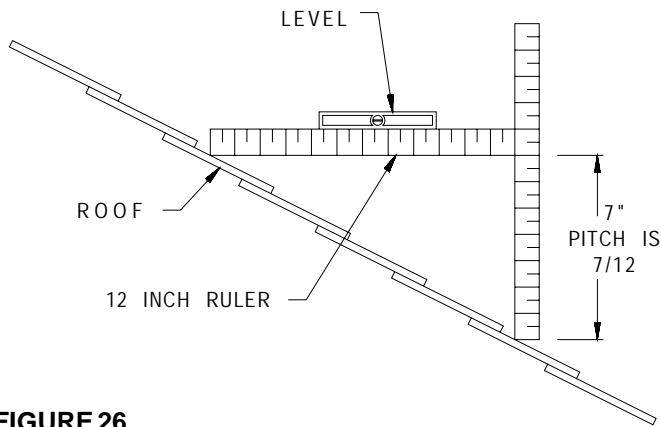


FIGURE 26

A Rafter Radiation Shield is required when the chimney is enclosed below the roof line such as in the attic space or in a chase. The shield is installed from above the joist and is supported by the two L-shaped brackets on the sides. Ensure that the chimney is plumb, then nail the rafter radiation shield into place through the brackets before the roof flashing is installed. See figure 27.

Slide the roof flashing suitable to your roof pitch over the chimney. Place the top edge of the flashing plate under the shingles. Place both sides and bottom edge on top of shingles. See figure 27.

Square up the flashing plate and nail in place to the roof deck using 12 nails with neoprene washers or cover the heads with a suitable water proof mastic.

Wrap the storm collar around the chimney above the flashing, and secure the ends loosely together with the nut and bolt supplied. Slide the collar down the chimney until it contacts the flashing guides. Tighten the nut and bolt and seal the storm collar to the chimney with a suitable non-combustible mastic.

The flashing and storm collar should be painted to match the roof shingles. This will extend its life and improve the appearance of the installation. Clean, prime, and paint with suitable painting products.

Continue adding chimney lengths until the proper height is achieved. See Chimney Installation Instructions on page 3. Install a raincap (Standard, or Deluxe Model for Supervent models) and lock it into place by turning it clockwise until tight or by tightening the nut and bolt of a Round Top Selkirk Model.

If the chimney extends 1.6m(5ft.) or more above the roof deck, then roof guys are required. An adjustable roof brace kit is suitable for this application. The draw band must be clamped around the chimney and the two legs bolted to the chimney.

WARNING: DO NOT BLOCK THE VENTILATION OPENINGS IN THE FLASHING.

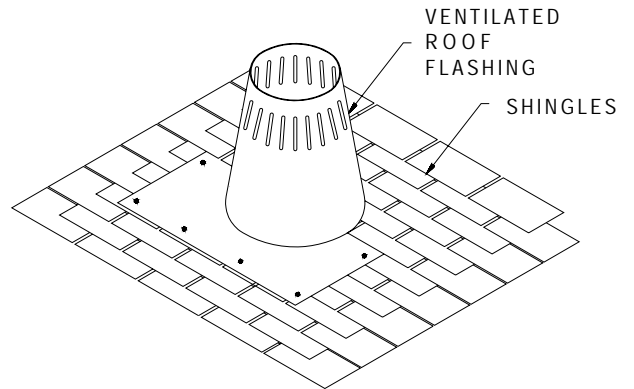
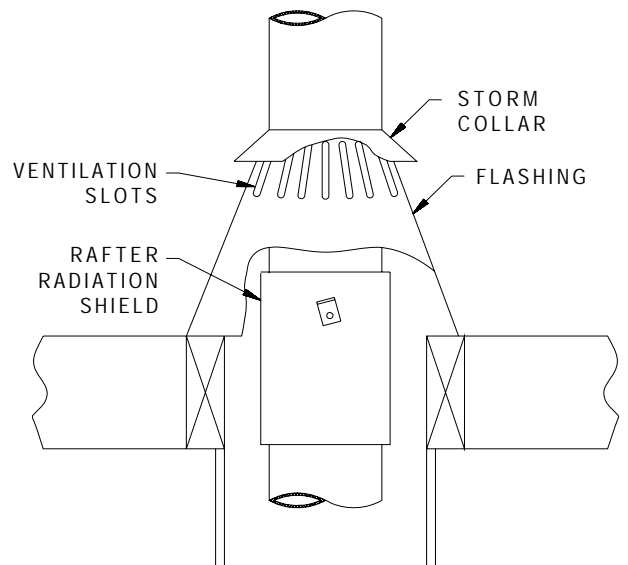


FIGURE 27



NOTE: AT THE TOP EDGE OF THE FLASHING PLATE, LIFT THE SHINGLES AND NAIL THE PLATE TO THE ROOF DECK. THEN CEMENT THE SHINGLES TO THE PLATE WITH A SUITABLE WATERPROOF MASTIC.

FIREPLACE GRILLE AND DOOR(S)

DOOR OPTION & INSTALLATION

The BORDEAUX offers two types of doors, a single door and double doors. The doors adjustment have been set at the factory, additional adjustment will not be necessary. See separate instructions packaged with each door kit.

When installing a single door configuration, one hinge plate, hardware and one filler plate are provided. See figure 31a.

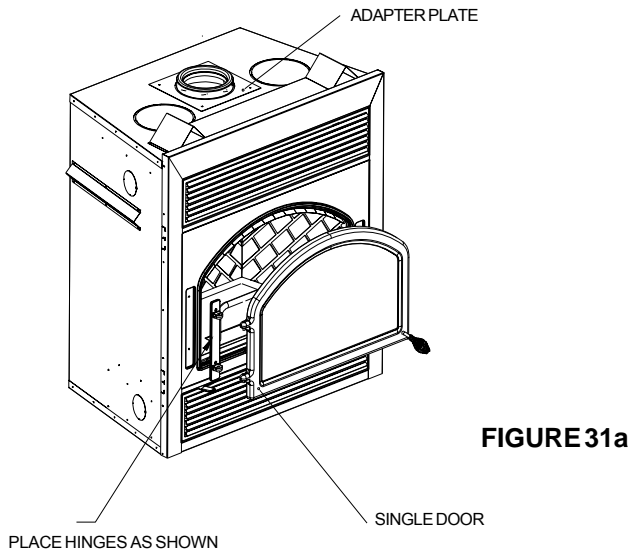


FIGURE 31a

When installing the double doors two hinges and hardware is provided. Place the hinges in a precut space on the front face of the fireplace. Fix the hinges with provided screws and place the doors by dropping them into the appropriate hinge hole. Repeat for the other door (See figure 32b).

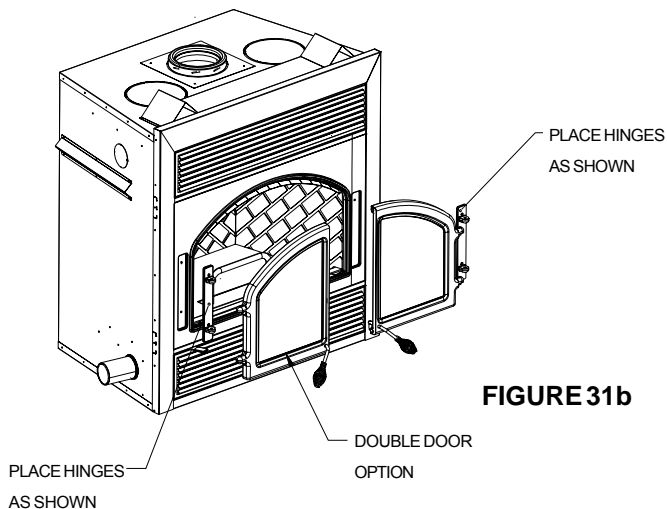


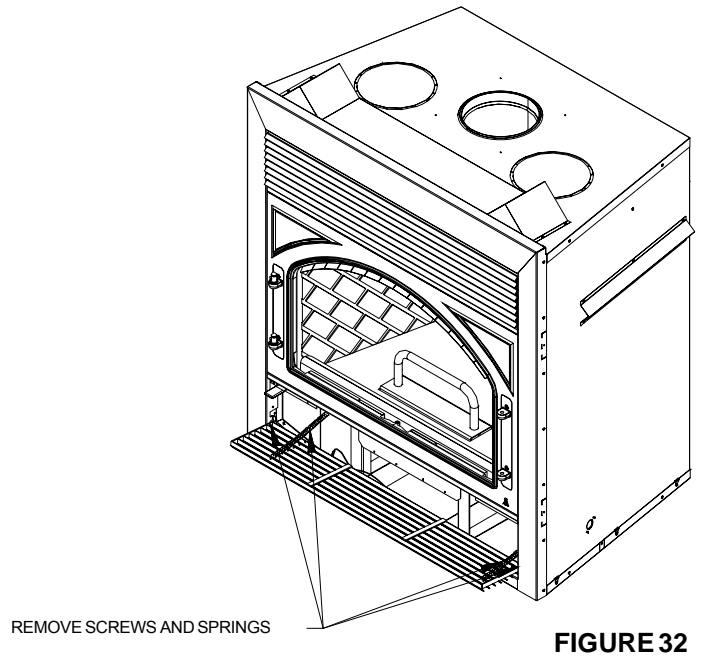
FIGURE 31b

The door(s) may be adjusted by tightening them to the front face of the unit. This can be accomplished by rotating the handle counterclockwise to increase latching force and clockwise to reduce latching force.

The door latch and door gasket work in conjunction to seal the firebox. If the door(s) do not seal, air will leak into the firebox and cause the fire to burn too fast.

GRILLES

The BORDEAUX fireplace comes with a top and bottom black grille. To open simply pull the grille from the top down. To remove the grille(s) remove the screws and springs as per Figure 32.



OPERATING INSTRUCTIONS FOR THE

BEFORE OPERATING YOUR FIREPLACE, CAST DOOR(S) MUST BE ASSEMBLED AND FUNCTIONAL

FIREPLACE FUEL

The BORDEAUX is designed to work best when fueled with seasoned firewood. Seasoned wood is crucial for a good performance. Seasoned wood burns hot, emits less smoke and creates less creosote. A moisture content of 15% to 20% is ideal. To ensure drywood, it must be cut, split and stored in a dry area for a year. Wet wood when burned, must release water stored within the wood. This cools the fire, creates creosote and hampers a complete burn. Drywood on the other hand, is denser, will weigh more per cord and burn a little slower and longer.

NEVER BURN SCRAP, GARBAGE, TREATED WOOD OR WOOD SUCH AS SALTWATER DRIFTWOOD OR RAIL ROAD TIES

Do not burn saltwater driftwood, treated wood, wax logs, coals, garbage, plastics or rubber. Fuel other than firewood may burn excessively hot leading to damages to the fireplace and/or the chimney system and become a serious fire hazard.

NEVER START THE FIRE USING GASOLINE, KEROSENE, LIQUID FIRE STARTERS OR ANY OTHER COMBUSTIBLE LIQUID

Never block the air vents to the unit such as the bottom and top grilles as this can cause the BORDEAUX fireplace to overheat. Do not operate the unit with the doors partly opened or with one door opened, since this may cause smoke to be drawn into the room. Smouldering fires are

inefficient and dangerous - smouldering waste wood and deposits creosote in the chimney, which can lead to a chimney fire.

DON'T BURN WOOD IN FRONT OF THE GRATE

NEVER BURN COAL IN THE FIREPLACE, BURNING COAL WILL CORRODE THE FIREPLACE.

FIRST FIRES

BEFORE USING THE FIREPLACE MAKE SURE TO REMOVE ALL PLASTIC PROTECTIVE COVERING FROM THE DOORS. REMAINING GLUE MAY BE REMOVED WITH MILD SOAP SOLUTION

A curing period (4 to 5 fires) will require small, hot fires of short duration (30 to 60 minutes). This will allow proper curing process for the refractory bricks and other components in the fireplace. An accumulation of ashes in the ashpan will protect it from intense heat.

It is normal for your fireplace to give off some odor the first time it is burned. This is due to the curing of the paint and any undetected oil from the manufacturing process. **Please ensure that your room is well ventilated - open all windows.**

Please note that it is normal for appliances fabricated of steel to give off some expansion and/or contraction noises during the start-up or cool-down cycle. Similar noises are found with your furnace heat exchanger or car engine.

BUILDING A FIRE

No matter what method you will use to build a fire, review the hints and warnings below to ensure proper fire starting.

- Make sure the combustion air control (located below the left-hand side door, just above the bottom grille) is fully opened. This is accomplished by pulling forward on the slider combustion air control arm (see Figure 33 & 34). Open an adjacent window during the first 5 to 10 minutes if additional air is needed.
- Make certain the chimney is drafting upwards. Some chimneys will need to be primed or warmed up before they will draw sufficiently to start a fire. This could depend on too short of a chimney; quantity of offsets; a cold outside chimney; fireplace is located in the lower level of the dwelling; local geography or nearby obstructions.
- Do not light a kindling fire until the chimney begins drawing, repeat the procedure below as often as necessary if the initial attempt is unsuccessful.
- Ball up some newspaper, place it in the center of the grate area in the firebox and light it until the chimney begins to draw. Once a draft has been established, start a kindling fire.
- Place 4 to 5 crumpled newspaper (balled up fairly tight) on the floor behind the grate area. Place 10 to 15 pieces of small kindling on and behind the paper so that the combustion air reaches the newspaper and to ensure the fireplace reaches a proper temperature. Once the kindling is burning rapidly, place a few (2 or 3) small pieces of dry firewood to the kindling.
- If additional air is needed, open the door 1/4" during the first five minutes of start-up.

COMBUSTION CONTROL

The BORDEAUX fireplace has no damper. The combustion air control is used to control the burn rate of the fireplace. This may take several minutes to influence the burn rate. When making adjustments, you may wish to let the fireplace burn for 10 to 20 minutes to gauge the performance of the fire. When the fireplace is not in use, the combustion air control should be in the closed position (all the way in) to minimize air leakage up the chimney. Prior to opening the door(s) for refueling, the combustion air control must be in the opened position; this will lessen the chance of back draft entering the room.

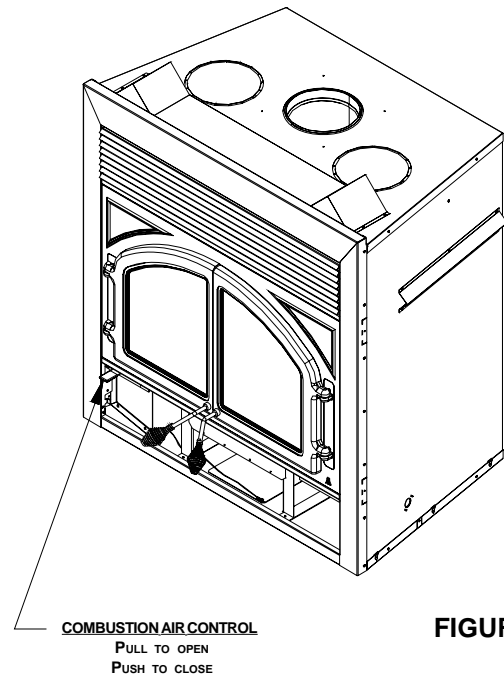


FIGURE 33

ACCELERATED COMBUSTION (High Burn)

To achieve maximum heat output, the BORDEAUX fireplace was designed to be operated with the door(s) closed and the combustion air control fully opened. In this setting, it will require refueling every few hours as this is the least efficient setting. **Caution must be exercised when operating with the combustion air control fully open. Only cordwood must be used in all setting.**

MEDIUM COMBUSTION (Medium Burn)

This is the most stable setting of operation for optimal performance. This will ensure less creosote deposits on your glass door(s) and in the chimney system. The setting of the combustion air control should be 3/4" closed. The precise setting will vary depending on many factors, such as total chimney height, location of the fireplace and the chimney system, including the moisture content of the wood. As an example, a tall chimney system in a non-airtight home will require closing the damper more. To achieve proper combustion, close the damper completely, then by opening the damper between 1/2 to 3/4 inches. Three medium size pieces of wood should be burning on a bed of coals. In this setting refueling would occur every 3 to 4 hours.

SLOW COMBUSTION (Low Burn)

With the combustion air control in the closed position, the fireplace is in a slow combustion phase. Slow combustion will not put out the fire, but a very noticeable change in the flame pattern will occur. The flame will be lazy and appear dirty. Creosote from the fire may accumulate on the glass door(s) unless the firebox is hot. **This setting should be used only after operating the BORDEAUX with the combustion air control opened to produce a hot fire.** The slow combustion setting is mostly used at night in order to reduce the heat output and to prolong the burn time. Refueling will then be every 5-8 hours (depending on chimney height and draft may lower burn times). Inspection will be more frequent and cleaning of the chimney system will be necessary in this setting as creosote accumulation will be accelerated.

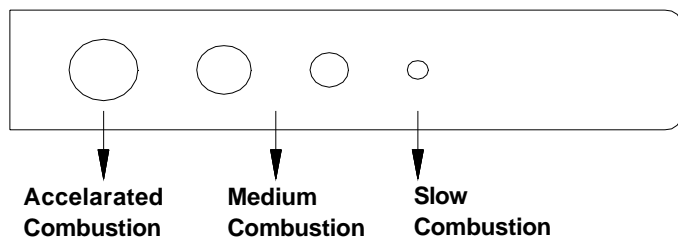


FIGURE 34

REFUELING FOR BEST PERFORMANCE

To achieve optimal performance of your BORDEAUX fireplace when refueling, get the fireplace hot by opening the combustion air control (pulled out away from the fireplace) and letting the fireplace burn on high between 15 to 30 minutes. This will bring the firebox and the chimney system up to their optimum, operating temperatures. Stir the coals and load small pieces of wood. Let the fireplace burn on high for 15 minutes to keep the fireplace hot, once you have reached the desired temperature (flames will be at the upper section of the firebox), the combustion air control can be closed gradually (see Figure 34). The benefit of this technique will be cleaner glass, less creosote build-up and greater efficiency. If the optional blower kit is installed in the fireplace, have it turned off during this procedure, this will eliminate smoke problems. Ensure the combustion air control is fully open when opening the door(s). This helps prevent smoke from spilling into the room. Open the door(s) slowly, to allow airflow inside of the firebox to stabilize. Occasionally, small amount of smoke upon lighting the fire, until the draft has been established in the chimney.

TROUBLESHOOTING

Ensure that the combustion air control is fully open when opening the door(s). This helps prevent smoke from spilling into the room. Also, open the door(s) slowly, to allow airflow inside the firebox to stabilize. The door handles becomes hot during operation - use gloves if necessary. Occasionally, there may be a small amount of smoke upon lighting the fire, until the draft has been established in the chimney. The following are probable cause of smoke problems.

- 1. Doors are partly open:** Open both doors fully when opening them.
- 2. Negative air pressure:** Check outside air supply connection to ensure continuous airflow is maintained.
- 3. Fans operating:** Ensure that nearby exhaust fans such as furnace fan, exhaust kitchen fan, and bathroom fan(s) are not operating.
- 4. Wet Wood:** Wet wood when burned, must release water stored within the wood therefore leading to more smoke and creosote. Burn dry seasoned wood only.
- 5. Dirty or blocked chimney:** Ensure that the chimney system is clean and has no obstructions, if found, remove obstructions and/or clean the chimney.
- 6. Chimney not high enough:** Authorities require that the chimney extend not less than 1m (3') above the highest point where it passes through the roof of a building and not less than 609 mm (2') above any portion of the building within a radius of 10'.
- 7. Poor chimney draft:** When there is no fire in your fireplace there still should be sufficient draft to draw smoke from a burning piece of paper. If your installation is correct, smoke will go up the chimney. If however, there is a problem with your installation, cold air may be coming down the flue into the room. This may be the case if your unit smokes on start-up with the door(s) open, until the fireplace heats up. To overcome this problem, try closing an upstairs window and open a nearby window to pressurize the house.

MAINTENANCE OF THE BORDEAUX FIREPLACE

CREOSOTE, FORMATION & NEED FOR REMOVAL

When wood burns slowly, it produces tar and other organic vapors, which combine with expelled moisture to form creosote. The creosote vapors condense in a relatively cool chimney flue of a slow burning fire. As result creosote accumulates on the flue lining, and when ignited makes extremely hot fire. Selkirk/SuperVent Chimneys are not intended nor been designed to be used as a combustion or fire chamber. By burning kindling, scrap lumber, brush or other fast burning fuel, you can over fire your fireplace, which can produce flames and high temperatures all the way up the chimney. This can result in damage to the chimney if continued for more than a couple of minutes.

KEEP YOUR CHIMNEY CLEAN. With a new installation, the chimney should be inspected frequently (every two weeks) to determine the rate of creosote formation. Once familiar with your fireplace, and the chimney characteristics, the chimney should be inspected at least once every two months during the heating season to determine if creosote or soot build-up has occurred.

Remove the chimney cap and carefully inspect for creosote build-up over the entire length of the chimney. If creosote or soot has accumulated, the chimney must be thoroughly cleaned. Failure to clean the chimney may lead to a fire. Depending on the rate of build-up, as you learn what is going on in the chimney, you can adjust your cleaning schedule. Chimney cleaning is a very dirty, complicated, and dangerous task. We strongly recommend you have a professional chimney sweep perform this service.

DO NOT OVERFIRE A HAND-FIRED APPLIANCE.

BAFFLE REMOVAL

Step 1. Release the Log Retainer (Figure 1) from its locked position by pushing down on the Log Retainer and sliding the Ash Drawer forward.

Once unlocked, lift out the Log Retainer (see Figure 2).



FIGURE 1
Log Retainer



FIGURE 2
Log Retainer and Ash Drawer

Step 2. Remove the Bottom Refractory by lifting and sliding it forward enough to clear the Front Refractory (see Figure 3).

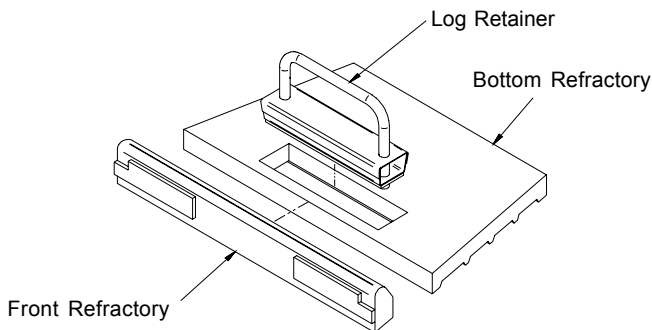


FIGURE 3 - Front, Bottom Refractory

Carefully lift the Bottom Refractory using both hands around its edges to provide a good support. Do not lift out of the fireplace by the rectangular opening as this may cause breakage. Remove the Front refractory (see Figure 4).



FIGURE 4
Bottom and Front Refractory

Step 3. Remove the left hand side Refractory Retainer Clip by pushing up slightly on the front top Refractory Baffle and rotating the clip toward the front (see Figure 5).

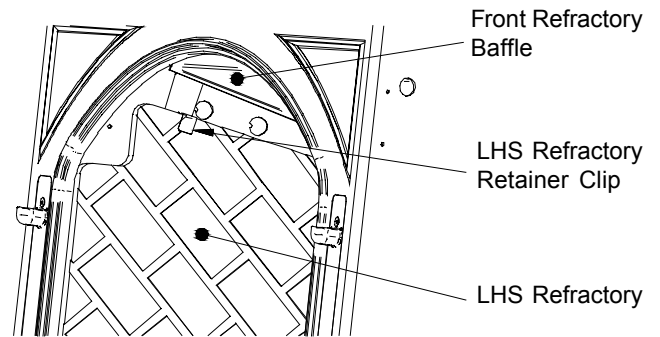


FIGURE 5 -Refractory Retainer Clip

Remove the side Refractory (tilt the top portion inward) and lift out of the fireplace. Repeat for the right hand side Refractory if so desired. Removing both sides will enable the removal of the Secondary Air Pipe #4 and the front Refractory Baffle without having to remove the Secondary Air Pipe #3.

NOTE: There is no need to remove the Back Refractory unless replacement is required. If so, all other Secondary Air Pipes must be removed in the same manner as described below.

Step 4. On the upper right hand side of the firebox, remove the securing cotter pin from the Secondary Air Pipe #4 (counted from the back of the fireplace). Slide the pipe completely to the right until it has clear the hole on the left. With a downward motion, slide the Secondary Air Pipe out of the opening hole on the right.

Caution: You will need to hold on and balance the Front Refractory Baffle while doing this step (see Figure 6).

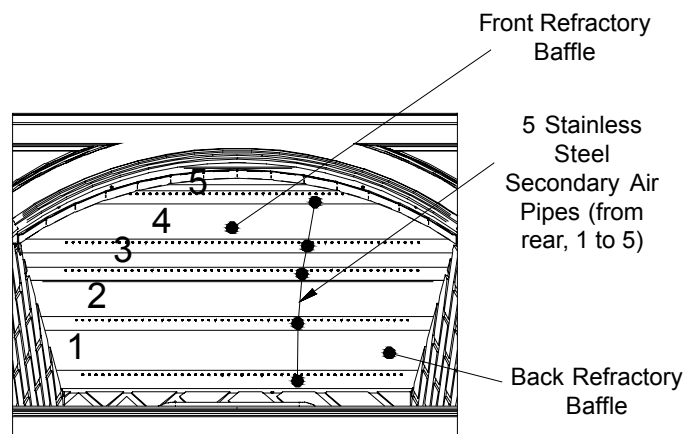


FIGURE 6

Step 5. Slide the Front Refractory Baffle towards the fireplace opening from its resting place. In a downward manner remove from the fireplace(see Figure 7).

NOTE: For sweeping of the chimney system, the Back Refractory Baffle can be removed by sliding the baffle between the 3rd and 4th Secondary Air Pipes (see Figure 8). This will provide a clear path so that all deposits can be safely removed from the fireplace.



Tilt Baffle downward toward the front of fireplace

FIGURE 7



Tilt Baffle downward towards front of fireplace

FIGURE 8

Step 6. Carefully take hold and remove the Metal Weight Plate, the Soft Ceramic Blanket and the Rigid Insulation Hardboard with both hands in a downward manner out of the fireplace (see Figures 9 and 10).

Step 7. Re-install all parts in reversed order of removal.

IMPORTANT:

- Ensure that the Front Refractory Baffle overlaps the Back Refractory Baffle and both are snug as per Figure 11.
- Ensure the Log Retainer is put back with the 2 venturi holes are facing into the firebox as per Figure 12.

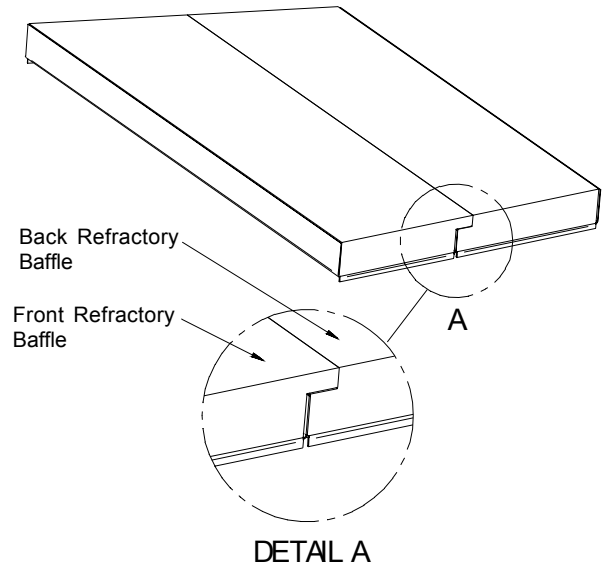


FIGURE 11 - Overlapping of the Front and Back Refractory Baffles

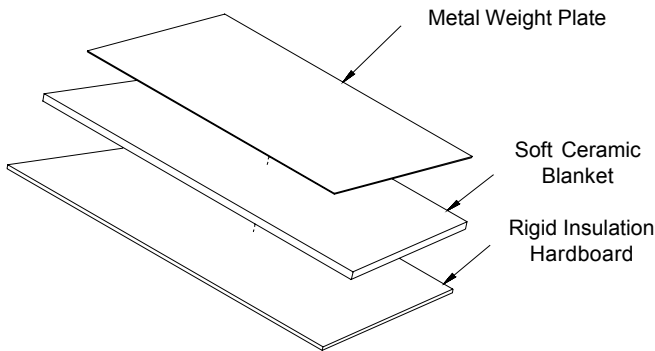


FIGURE 9 - TOP VIEW - Metal Weight Plate, Soft Ceramic Blanket, Rigid Insulation Hardboard

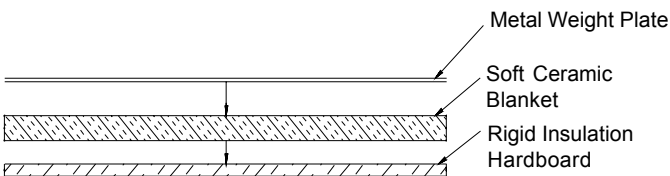


FIGURE 10 - SIDE VIEW - Order of Placement

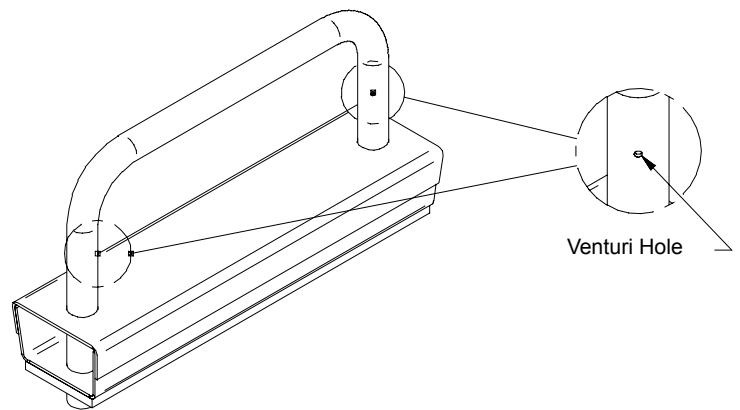


FIGURE 12 - Ensure that the venturi Holes are Facing the Firebox

CHIMNEY FIRES, WHAT TO DO IN THE EVENT OF ONE

If a fire has got out of control in your fireplace or you suspect a chimney fire for any reason:

- Immediately close the combustion air control and glass door(s).
- Clear family members and/or any person in the building out of the area.
- Call the fire department.
- Use a dry chemical fire extinguisher, baking soda or sand to control the fire. **Do not use water, it will create a steam explosion.**
- Check for hot embers around the fireplace and outside your home; extinguish.
- Do not use your fireplace again until a certified solid fuel technician has inspected it. Overheating of the fireplace and chimney can cause them to become defective as metal parts expand, buckle, and crack under these adverse conditions. Any of these damaged parts must be replaced to ensure your safety.

MAINTENANCE OF YOUR GLASS DOOR(S)

CAUTION: Start your fireplace slowly to heat the glass gradually in order to avoid sudden temperature changes in the glass. Do not build your fire too close to the glass in order to prevent excessive soot buildup.

DO NOT OPERATE THE FIREPLACE WITH GLASS CRACKED OR BROKEN

Inspect the glass for signs of cracks or breaks on a regular basis, and if found, extinguish the fire and replace the glass.

Never slam the fireplace door(s) as a protruding object (i.e., log) may hit the glass and cause breakage.

DO NOT CLEAN THE GLASS WHEN HOT!

If the glass is not kept clean permanent discoloration and/or blemishes may result. Normally a hot fire will clean the glass. The most common reasons for dirty glass include: not using sufficient fuel to get the firebox thoroughly hot, using green or wet wood, closing the combustion air control allowing insufficient air for complete burn. If it is necessary to clean the glass, use a soft cloth with a non-abrasive cleaner or with a fireplace glass cleaner suitable for creosote removal applied on the ceramic glass, available at your local dealer.

**DO NOT SUBSTITUTE MATERIAL!
USE ONLY THE SPECIFIED TYPE OF GLASS,
GASKET AND REFRACTORIES**

CARING OF YOUR DOOR FINISH

Use only a mild soap and warm water to clean the finish when the surface is cool. Do not use abrasive such as wool or steel pads for this may permanently etch or remove some of the plating.

NOTE: Before every fire, clean the surface by buffing lightly any fingerprints from the plating with a clean dry cloth. Any marks left on the plating finish may become etched-in by the heat from the fireplace.

DISPOSAL OF ASHES

Warning: Improperly disposed ashes lead to fires. When disposing of ashes, they should be placed in a metal container with a tight fitting lid. The closed container should not be placed on a combustible floor, and kept away from other combustible materials until the ashes have cooled or been removed from the container. Before disposing of ashes, ensure that all cinders have cooled thoroughly.

Procedure of cleaning the ashes in the BORDEAUX:

1. Pull the ashpan forward until the point of resistance is reached.
2. Pull up the log retainer and ash plate out of the firebox.
3. Sweep all the ashes in the firebox into the ashpan.
4. Press the ashpan down at the corners to release it.
5. Pull the ashpan fully forward to remove the ashpan.
6. Dispose of the ashes in the previous mentioned manner and replace the ashpan in the reverse removal steps (See Figure 35).

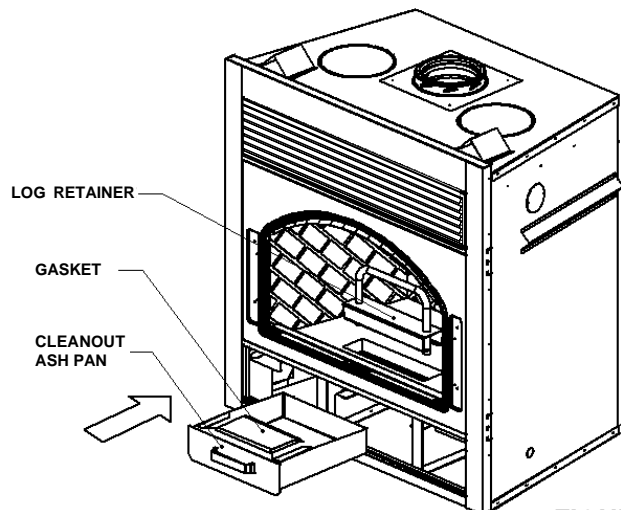


FIGURE 35

PERIODICALLY ADJUST DOOR LATCH

The glass door on the BORDEAUX should close securely to prevent accidental opening and should close tightly to prevent air from leaking into the fire chamber.

Over a period of time, the gasket around the door will compress and the latch may need adjustment. See separate instructions packaged with the glass door for information.

GLASS CLEANING

The BORDEAUX is designed to keep the glass clean under normal operating conditions. Most carbon deposits that accumulate will burn off during hot fires.

If the fireplace is operated continuously with the combustion air control closed, the glass will tend to get dirty unless the fuel, firebox and glass are maintained at hot temperature.

If the glass becomes darkened through slow burning or poor burning it can easily be cleaned with fireplace glass cleaner when the fireplace is cold from your local dealer.

REPLACEMENT PARTS

GLASS REPLACEMENT

Before proceeding in replacing the glass, make sure the fire is out and the fireplace is cool to the touch.

1. Remove the door by lifting it off its hinge. Lay it flat on a padded surface making sure handle and handle attachment hang over the edge.
2. Remove the screws from the glass retainer using a 1/8" allen wrench. NOTE: Soak the screws in penetrating oil for easy removal.
3. Remove the damaged glass and gasket.
4. Replace the new glass and gasket, re-install the glass retainer being careful not to over tighten the screws as this may damage the ceramic glass.
5. Replace the door onto its hinges.

Contact your local dealer for your ceramic glass replacement.

GASKET REPLACEMENT

When the door(s) of the fireplace are opened and closed frequently, with use, gaskets can become brittle and compressed and can begin to lose their effectiveness, allowing air leakage into the firebox and cause the fire to burn too fast. These will need periodic replacement.

Before proceeding in replacing the gasket, make sure that the fire is out and the fireplace is cool to the touch.

Remove the door by lifting straight up off its hinge. Lay it on a padded surface making sure handle and handle attachment hang over the edge.

If the glass gasket needs replacing, the glass retainer and handle will have to be removed.

To replace door gasket:

1. Remove the existing gasket by grabbing an end and pulling firmly.
2. Use a wire brush or the tip of a screwdriver to clean the channel of any remaining gasket cement or bits of gasket.
3. Apply a thin bead of gasket cement to the newly cleaned channel.
4. Pack a new gasket into the channel by pressing it firmly into the gasket cement. Wait until you have placed all but a couple inches from the end before you trim the end to an exact fit. Use only high temperature rated gasket cement (see Figure 36). Contact your dealer for replacement gasket.

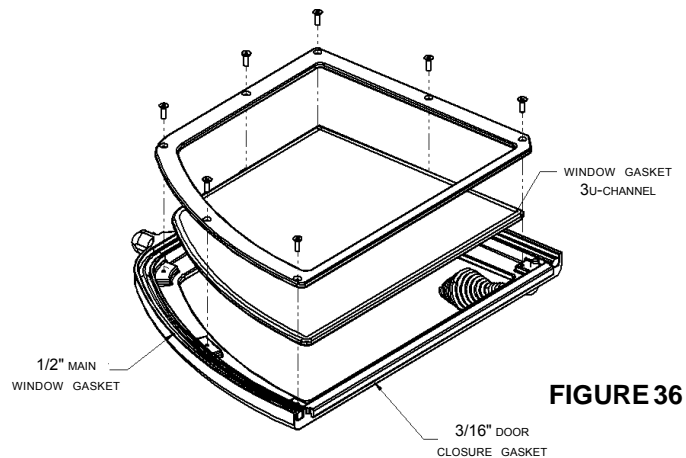


FIGURE 36

REFRACTORY REPLACEMENT

The intense heat of the fire will normally cause hairline cracks in the refractory. These cracks can be minimized by proper curing describe in "First Fires". They will not normally diminish the effectiveness of the refractory. If large cracks develops, the refractories should be replaced. Contact you dealer for your refractory replacement (see Figure 37).

- 1 - Top 1 Refractory (Rear)
- 2 - Top 2 Refractory (Front)
- 3 - Back Refractory
- 4 - Left Side Refractory
- 5 - Right Side Refractory
- 6 - Bottom Refractory
- 7 - Front Refractory (not shown)

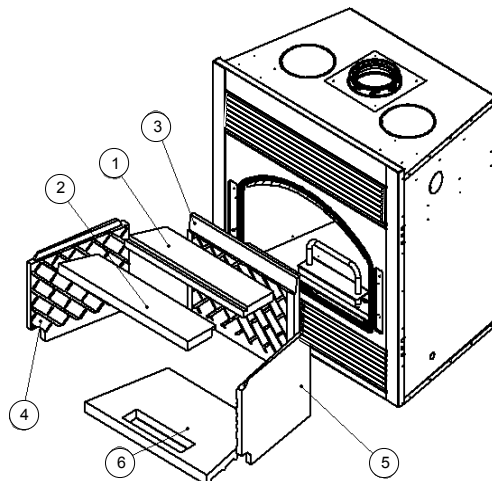


FIGURE 37

LIMITED LIFETIME WARRANTY

ZERO CLEANRANCE WOOD BURNING FIREPLACES



SELKIRK CANADA CORPORATION, (“WE”, “US”, “OUR”) EXTENDS THE FOLLOWING WARRANTY ON FIREPLACES, SUBJECT TO THE CONDITIONS OUTLINED BELOW.

LIMITED LIFETIME WARRANTY:

Selkirk Canada Corporation, ("we", "us", "our") warrants that each fireplace to be free from defects in material and workmanship under normal use and service for as long as the original consumer owns the system. For products installed after October 1st, 2002, for a period of Ten (10) years from original installation, we will provide replacement product with a similar or like quality of available product, free of charge excluding any installation costs. From the Eleventh (11) through the Fifteenth (15) years we will provide replacement product to the original consumer at a cost of 75% off the published Retail Price in effect on the date the claim is received excluding any installation costs. At expiration of the Fifteen (15) year term, we will provide replacement product to the original consumer at a cost of 50% off the published Retail Price in effect on the date the claim is received excluding any installation costs.

WARNING: FAILURE TO INSTALL PRODUCTS ACCORDING TO THE MANUFACTURER’S INSTRUCTIONS WILL VOID ALL APPLICABLE WARRANTIES AND MAY RESULT IN FIRE, CARBON MONOXIDE POISONING OR DEATH.

LIMITATIONS:

REFRACTORIES

- Please inspect these pieces upon receipt of your fireplace and place a claim with the carrier if shipping damage has occurred. The side, back and hearth refractories are covered under full warranty for the first 2 years of service from date of installation.
GLASS DOORS, FIRESCREEN, LOG RETAINER, ASHPAN, SECONDARY AIR TUBE, AIR CONTROL ASSEMBLY, GASKET AND MOTOR FOR BLOWER KIT
- The tempered glass in the doors (640/ZC40) will lose some of its temper over time depending upon frequency of use and warranted for a period of 1 year from date of purchase.
- The ceramic glass (thermal breakage only), gold plating, painted surfaces, optional firescreen, wood grate, ashpan, secondary air tube are warranted for a period of 3 years from date of purchase against failure sustained in normal usage.
- The motor for the blower kit and gaskets are warranted for a period of 1 year from date of purchase against failure sustained in normal usage.

THIS LIMITED WARRANTY DOES NOT COVER:

- (a) costs (labor or otherwise) associated with either removing a previously installed product, installing a replacement product, transportation or return of a product, or transportation of replacement product;
- (b) damage to the finish of products such as plated and painted surfaces caused by the use of improper solvents/chemicals or improper cleaning methods;
- (c) damage resulting from failure to reasonably clean, care for or maintain products in accordance with our installation instructions/recommendations;
- (d) damage (to products, appliances or structure) based on or resulting from improper installation or repair, misuse or abuse (including, but not limited to, excessive or improper operating condition), or alteration or adjustment other than in conformity with our installation instructions and specifications, whether performed by a contractor, service company, technician, or yourself;
- (e) any products that have been moved from their original installation site.
- (f) damage caused by burning fuel other than that which is specified in the installation instructions, or misapplication of the installed venting system.
- (g) damage that results from accidents such as fire, flood, high winds, “acts of God”, or any other contingency beyond our control.

CHIMNEY SYSTEM HAS A SEPARATE WARRANTY COVERAGE.

CLAIM PROCEDURE:

Please direct all warranties inquiries to us in writing at the following location:

SELKIRK CANADA CORPORATION
P. O. Box 526, Depot 1,
Hamilton, Ontario, Canada, L8L 7X6
ATTN: WARRANTY CLAIMS DEPARTMENT
888.SELKIRK (735.5475), Fax: 866.835.9624
www.selkirkcanada.com

Notification should include a description of the product, model and serial number (if applicable) and a description of the product defect. Upon receipt of a written claim under this limited warranty and a proof of purchase or installation, at our option and in our sole discretion, we will provide replacement product with similar or like quality of available product excluding any installation costs. We reserve the right to inspect or investigate any warranty claims prior to determining whether to provide replacement product. If, as determined by us that repair or replacement of the product is not commercially practicable or cannot be completed in a timely manner, we may refund the prorated purchase price paid for the product upon verification by providing a copy of your invoice or receipt of bill of sale.

INSTALLATION INFORMATION

KEEP IN A SAFE PLACE FOR FUTURE REFERENCE

MODEL OF CHIMNEY: _____

MODEL OF FIREPLACE: _____

SERIAL NUMBER OF FIREPLACE: _____

INSTALLATION DATE: _____

DESCRIPTION OF INSTALLATION (VENTING CONFIGURATION) _____

PURCHASED FROM:


DEALER NAME: _____ ADDRESS: _____

CITY: _____ PROVINCE/STATE: _____

INSTALLED BY:

TECHNICIAN NAME: _____ ADDRESS: _____

CITY: _____ PROVINCE/STATE: _____



PRODUCT REGISTRATION

PLEASE REGISTER YOUR FIREPLACE AND CHIMNEY WITH THE MANUFACTURER.

REGISTER ONLINE: WWW.SELKIRKCANADA.COM

NAME: _____

ADDRESS: _____

CITY: _____

PROVINCE/STATE: _____ POSTAL/ZIP: _____

MODEL: _____ INSTALLATION DATE: _____

DEALER NAME: _____