

HE40 GRAVITY VENT KIT

GRAVITY VENT KIT VARIOUS INSTALLATION

For extra heat output and greater efficiency, a Gravity Vent Kit is available. This will distribute heated air to an upper level or an adjoining room.

The Gravity Vent Kit is certified only with Selkirk's Model HE40 wood fireplace. Deletion or modification of any of the components in the kit may seriously impair the safety of your installation; also void the manufacturer's warranty coverage and the condition of certification.

The Gravity Vent Kit can be installed with either one or two grilles located at a minimum height of 868mm (27") above the fireplace and up to a maximum of 3.04m (10') up and out from the top of the fireplace. Blocking off the upper grille is possible only when two (2) gravity vents are installed (see figure 1).

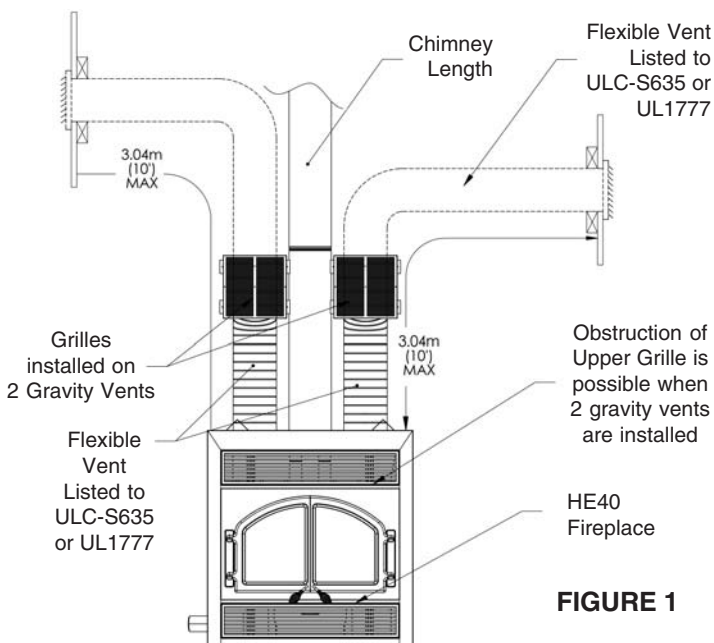


FIGURE 1

The Gravity Vent Kit contains:

- 2 - Mounting Box 279mm(11") x 254mm (10"),
- 2 - 203mm (8") Pipe Adaptors
- 2 - White Grilles 254mm (10") x 254mm (10") (#RG0333).

The ducting for the Gravity Vent can be accomplished with a flexible vent of 203mm(8") in diameter (not supplied) in aluminum or stainless steel. The flexible vent must be listed to ULC-S635 or UL1777. When installing the flexible vent a 50mm (2") clearance to combustible materials must be respected. Ensure that the flexible vent is installed only in an upward and horizontal manner. NEVER install the flexible vent downward!

NOTE: Maintain a 178mm (7") minimum clearance from the Mounting Box to the ceiling, side wall or mantle.

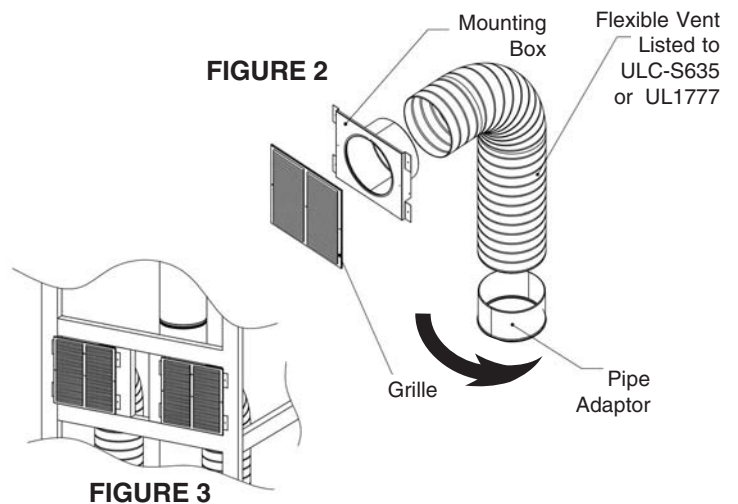


FIGURE 3

1. Prepare one of the holes on the top of the fireplace by removing the insulation and by removing the round plate by breaking the tabs.
2. Line up the V-notch on the Pipe Adaptor with the V-notch of the fireplace opening and rotate counter clockwise until fully engaged (see Figure 2).
3. Frame a 283mm (11-1/8") x 257mm (10-1/8") opening for the mounting box. Nail in place with suitable nails or screws (see Figure 3).
4. Connect and fasten the flexible vent to the Pipe Adaptor with a minimum of 3 sheet metal screws (not supplied). Maintain a 50mm (2") clearance between the flexible vent and any combustible materials. Remember that the overall run must not exceed 3.04m (10 ft).
5. Connect the other end of the flexible vent to the Mounting Box with a minimum of 3 sheet metal screws (not supplied).

Repeat steps 1 through 5 for the second Gravity Vent if so desired.

Once the finishing is completed around the Mounting Box(s), install the Grille(s) with supplied screws. Ensure the Grilles are pointing downwards in order to prevent overheating adjacent ceiling or walls.

A Firestop (7T-FS) must be installed when the flexible vent is routed through a wall to an adjoining room or through the ceiling to an upper level at the ceiling level. The minimum opening size for proper clearances must be 305mm (13") x 305mm (13").

SELKIRK CANADA CORPORATION

1400 CALIFORNIA AVENUE
BROCKVILLE, ON K6V 5V3
TEL: 1-800-267-8178
FAX: 1-800-663-3620
www.selkirkcanada.com
info@selkirkcanada.com

