

DIRECT-TEMP[®]

Direct Vent System

for PELLET STOVES

*Includes all Selkirk
Model VP Pellet Pipe™
and Direct-Temp® components
needed to complete a system*



Direct-Temp[®] for pellet stoves is the revolutionary, high-performance and complete system for venting a pellet stove.

FEATURES

- Siliconized fiberglass seal
- 1" clearance to combustibles
- 304 stainless welded seam inner flue
- Quick no-sealant needed installation
- High-efficiency performance and LockTab[®] security
- Single pipe design integrates both fresh air intake and flue gas exhaust




SELKIRK.

We've Made Venting Your Pellet Appliance Simpler, Cleaner and More Efficient

Selkirk's revolutionary new Direct-Temp® Direct Vent System for gas appliances is now also UL listed for pellet burning appliances.

More and more of today's homes are becoming airtight. Couple that with a pellet appliance utilizing indoor air with other vented appliances, such as a gas water heater, dryer or kitchen vent hood, and negative atmospheric pressure could be created in the home. This might prevent those appliances from venting exhaust gases correctly.

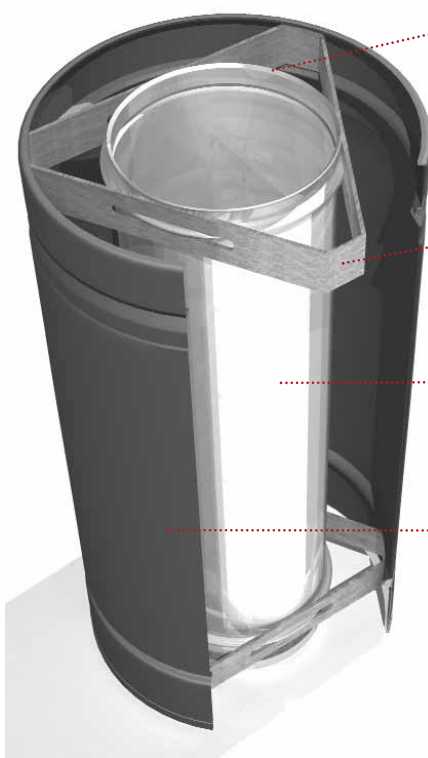
Unique to today's pellet market, Direct-Temp® provides a completely enclosed, single stack venting system. Direct-Temp® is two vents in one. The outer vent supplies fresh outside air, which is preheated for high efficient combustion. The inner pipe, made of 304* stainless steel which provides exceptional

corrosion protection for wood pellets, allows the exhaust gases to vent. The 304 stainless steel material of the inner pipe permits precision manufacturing tolerances, ensuring tight seals and added structural integrity of the system. Our liner has a continuously welded seam, which is superior to lock seam designs that may leak.

Our engineers set out to surpass the performance requirements of the industry with unique features found only in our direct vent system. Direct-Temp® is ideal for both sidewall and through-the-roof venting solutions, and has been engineered for optimum appliance performance.

**Note: Termination components may be 316 stainless steel.*

WHAT MAKES THE DIRECT-TEMP® SYSTEM UNIQUE?



Chamfered edges allow for easy slide-together assembly.

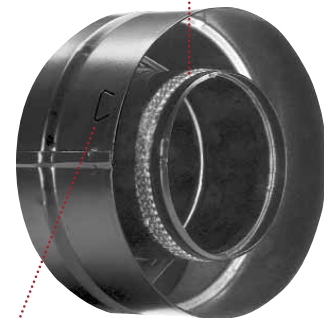
Outer walls are constructed of heavy duty galvanized steel and are available in powder coat black or unpainted versions.

Heavy duty centering brackets keep inner pipe centered for easy assembly. Brackets also allow the inner pipe to float, allowing for expansion and contraction.

Utilizes a 304 stainless steel, seam-welded inner pipe, which provides exceptional corrosion resistance and enhances overall system integrity.

Centering brackets are not welded or riveted in place, creating a more attractive outer jacket and a smooth profile. The free-floating inner liner allows the pipe to expand and contract under high temperature without creating gaps or stress points in the system.

Our proprietary siliconized fiberglass seal adds an extra layer of protection to ensure combustion products won't leak out.



female end of pipe

Our LockTab® is a unique design that allows for 360° rotation while securely locking the sections of pipe together with just a push of the tab.



ADVANTAGES - DIRECT-TEMP® Pellet

- Inherent design of Direct-Temp® eliminates fly ash into room
- 1" clearance to combustibles
- Preheats intake air for more efficient combustion
- Gasketed joints eliminate need for messy sealant
- One installation includes outside air for combustion
- Single stack looks more like a wood-burning stove
- Works with 3" or 4" pellet stove outlets

OPTIONAL TERMINATION CONFIGURATIONS

Vertical Termination –
4DT-VPTA, 4VP-VC



Horizontal Termination –
4DT-VPTA, 4VP-EC or
4DT-DCC



*Horizontal Termination
with 45° Horizontal
Termination Elbow –*
4DT-VPTA, 4DT-VPTE,
4VP-EC or 4DT-DCC



PELLET STOVE HORIZONTAL TERMINATIONS (4VP-EC)

- Straight out exhaust using Selkirk Model VP Exit Cap (4VP-EC) or Decorative Cone Cap (4DT-DCC)
- 45-degree Horizontal Termination Elbow with 4VP-EC or 4DT-DCC to divert exhaust directionally



PELLET STOVE ADAPTER (4DT-VPASA)

- Connects to pellet vent tee for vertical installations
- Connects direct to pellet stove for straight out horizontal installations
- Allows outside combustion air to be directed to pellet stove
- Flue gases exhaust in 304 stainless steel pipe



FLEX PIPE

- For outside combustion air
- Included in 4DT-CAK

PELLET STOVE TERMINATION ADAPTER (4DT-VPTA)

- Connects to Direct-Temp® direct vent system
- Includes intake for outside combustion air
- Connects to either horizontal Selkirk Model VP Exit Cap (4VP-EC), Decorative Cone Cap (4DT-DCC), 45-degree Horizontal Termination Elbow with 4VP-EC, 4DT-DCC or vertical Selkirk Model VP Vertical Termination (4VP-VC)



THE BEST LIFETIME
WARRANTY
IN THE INDUSTRY!

DIRECT-TEMP®

*Complete direct vent
system components to
fit most any pellet
installation.*



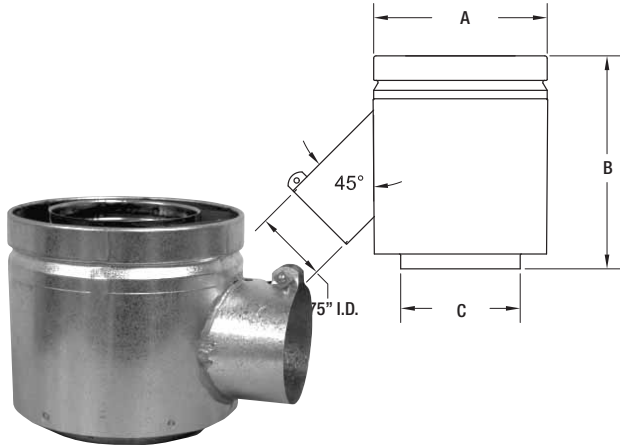
PELLET PIPE™

*Complete line
of components to fit
any 3" or 4" pellet
stove.*



DIRECT-TEMP® PELLET VENT COMPONENTS

PELLET STOVE ADAPTER



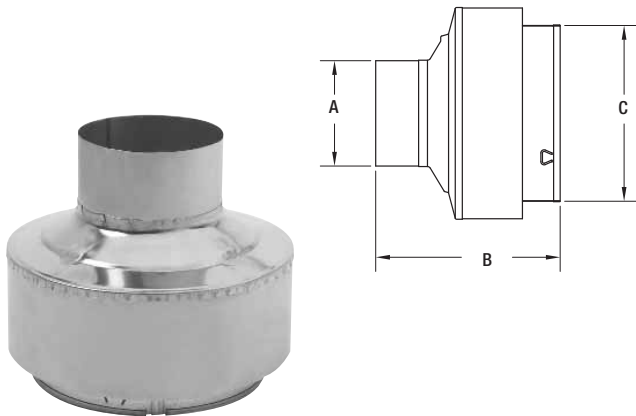
Description	Part No.	Sku No.
Direct Vent Pellet Stove Adapter	4DT-VP SA	1604248

DIM A	DIM B	DIM C
6.59"	6.125"	4.54"

NOTE: Allows pellet stove to connect to Direct-Temp® direct vent system

316 Stainless Steel

PELLET STOVE TERMINATION ADAPTER



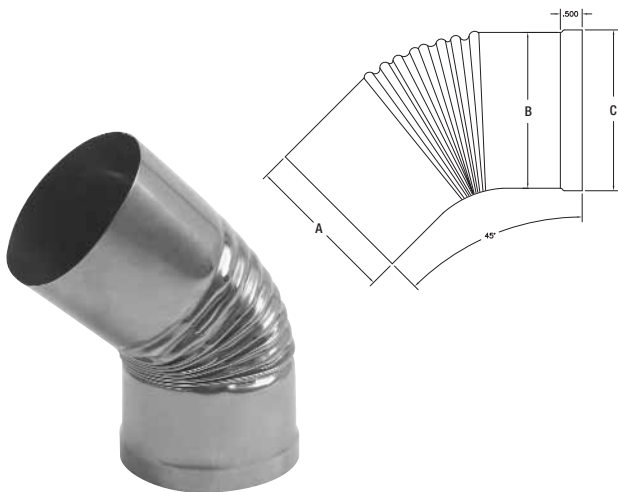
Description	Part No.	Sku No.
Direct Vent Pellet Termination Adapter	4DT-VPTA	1604805

DIM A	DIM B	DIM C
4.00"	7.00"	6.67"

NOTE: Use in conjunction with horizontal Exit Cap (4VP-EC), Decorative Cone Cap (4DT-DCC) or Vertical Termination (4VP-VC)

316 Stainless Steel

45° HORIZONTAL TERMINATION ELBOW



Description	Part No.	Sku No.
45° Horizontal Termination Elbow	4DT-VPTE	1604214

DIM A	DIM B	DIM C
3.915"	4.03"	4.160"

NOTE: Use in conjunction with Exit Cap (4VP-EC) or Decorative Cone Cap (4DT-DCC) to direct horizontal exhaust directionally

316 Stainless Steel

DECORATIVE CONE CAP



Description	Part No.	Sku No.
Decorative Cone Cap	4DT-DCC	1604803

316 Stainless Steel

COMBUSTION AIR KIT

To direct combustion air from 4DT-VPSA to pellet stove incoming air inlet.



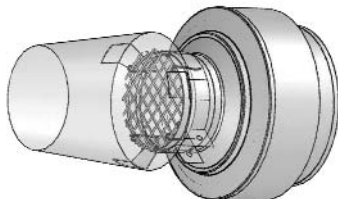
Description	Part No.	Sku No.
Combustion Air Kit	4DT-CAK	1604614

KIT INCLUDES:

- One hose clamp...adjusts from 1-1/2" to 3-1/2" to fit all pellet stoves
- 3 feet of 3" ID aluminum flex pipe

OUTLET SCREEN

Attaches inside 4DT-DCC or 4VP-EC to prevent animals, birds and debris from entering horizontal vent.

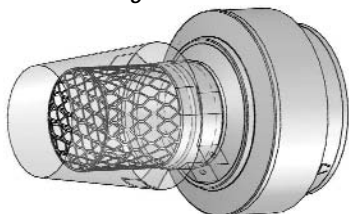


4DT-VPOS Outlet Screen installed

Description	Part No.	Sku No.
Outlet Screen	4DT-VPOS	1604790

SPARK SCREEN

Attaches inside 4DT-DCC to reduce sparks and to prevent animals, birds and debris from entering. Easily removed for cleaning.



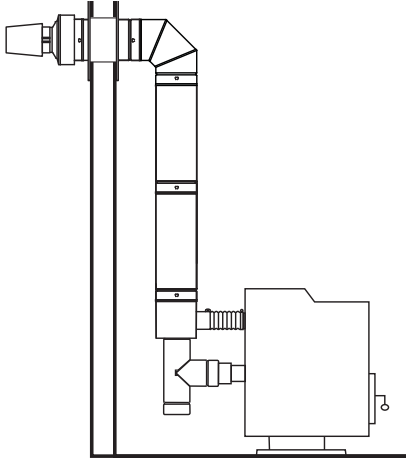
4DT-VPSS Spark Screen installed

Description	Part No.	Sku No.
Spark Screen	4DT-VPSS	1604791

DIRECT-TEMP® PELLET TERMINATION KITS

Three new installation kits include everything you need except the Direct-Temp® pipe lengths for the most popular pellet stove installations. These kits simplify your inventory and make pellet stove installations quick and easy.

UP & OUT HORIZONTAL TERMINATION KIT*



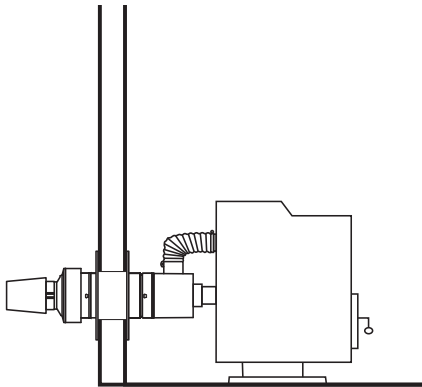
KIT INCLUDES:

- One 3" Pipe Connector, 3VP-PC
- One 3" to 4" Increaser, 3VP-I4
- One 4" Tee with Cap, 4VP-TS
- One Pellet Stove Adapter, 4DT-VPSAL
- One Wall Thimble, 4DT-WT
- One 90° Elbow, 4DT-EL90SB
- One Pellet Stove Termination Adapter, 4DT-VPTA
- One Decorative Cone Cap, 4DT-DCC
- One Combustion Air Kit, 4DT-CAK

Description	Part No.	Sku No.
Up and Out Horizontal Termination Kit*	4DT-VPHKB	1604680

*Kit includes everything but Direct-Temp® pipe lengths.

STRAIGHT OUT HORIZONTAL TERMINATION KIT*



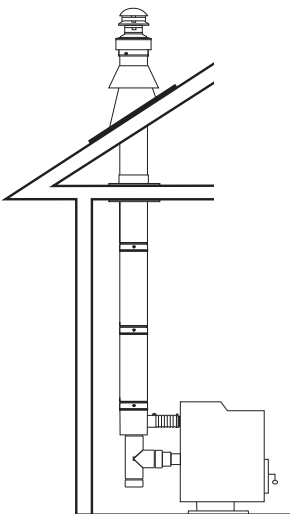
KIT INCLUDES:

- One 3" Pipe Connector, 3VP-PC
- One 3" to 4" Increaser, 3VP-I4
- One Pellet Stove Adapter, 4DT-VPSAL
- One Wall Thimble, 4DT-WT
- One Pellet Stove Termination Adapter, 4DT-VPTA
- One Decorative Cone Cap, 4DT-DCC
- One Combustion Air Kit, 4DT-CAK

Description	Part No.	Sku No.
Straight Out Horizontal Termination Kit*	4DT-VPHKA	1604682

*Kit includes everything but Direct-Temp® pipe lengths.

THROUGH-THE-ROOF VERTICAL TERMINATION KIT*



KIT INCLUDES:

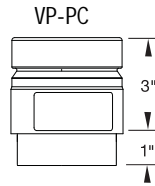
- One 3" Pipe Connector, 3VP-PC
- One 3" to 4" Increaser, 3VP-I4
- One 4" Tee with Cap, 4VP-TS
- One Pellet Stove Adapter, 4DT-VPSAL
- One Ceiling Support, 4DT-CS
- One Trim Plate, 4DT-TP
- One Roof Flashing, 4DT-AF6
- One Storm Collar, 4DT-SC
- One Pellet Stove Termination Adapter, 4DT-VPTA
- One Vertical Cap, 4VP-VC
- One Combustion Air Kit, 4DT-CAK

Description	Part No.	Sku No.
Through-the-Roof Vertical Termination Kit*	4DT-VPVK	1604681

*Kit includes everything but Direct-Temp® pipe lengths.

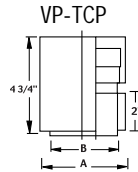
SELKIRK. MODEL VP PELLET PIPE COMPONENTS

PIPE CONNECTOR



Description	Part No.	Sku No.
3" Pipe Connector	3VP-PC	243240
3" Pipe Connector – Black	3VP-PCB	243240B
4" Pipe Connector	4VP-PC	244240
4" Pipe Connector – Black	4VP-PCB	244240B

THICK COLLAR PIPE CONNECTOR



Description	Part No.	Sku No.
Thick Collar Pipe Connector	3VP-TPC	243242

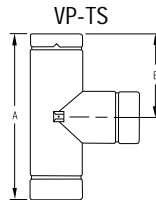
DIM A	DIM B
3.85"	2.85"

INCREASER



Description	Part No.	Sku No.
3" to 4" Increaser	3VP-I4	243304

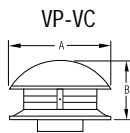
TEE w/TEE CAP & INCREASER TEE



Description	Part No.	Sku No.
4" Diameter Tee w/Tee Cap – Black	4VP-TSB	244100B
4" Diameter Tee w/Tee Cap	4VP-TS	244100
4" -3" Dia. Increaser Tee w/Tee Cap – Black	4VP-3TB	244113B
4" -3" Dia. Increaser Tee w/Tee Cap	4VP-3T	244113

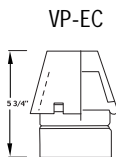
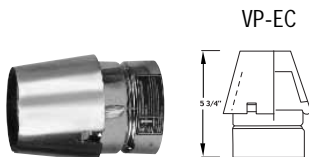
DIM A	DIM B
10"	5"

VERTICAL & HORIZONTAL TERMINATIONS



DIM A	DIM B
8"	4-1/4"

Description	Part No.	Sku No.
4" Diameter Vertical Termination	4VP-VC	244800
4" Exit Cap	4VP-EC	244803



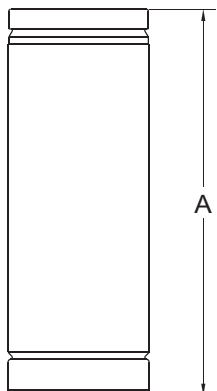
VACUUM CLEANOUT CAP



Description	Part No.	Sku No.
4" Vacuum Cleanout Cap	4VP-VCC	244185

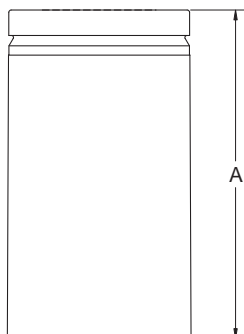
DIRECT-TEMP® PELLET STOVES VENT COMPONENTS

DIRECT TEMP® PIPE LENGTH



Description	Part No.	(A) Lengths	Sku No.		Net Installed Lengths
			Galvanized	Black	
DT - 6" Pipe	4DT-06	6"	1604006	1604006B	4 3/8"
DT - 9" Pipe	4DT-09	9"	1604009	1604009B	7 3/8"
DT - 12" Pipe	4DT-12	12"	1604012	1604012B	10 3/8"
DT - 18" Pipe	4DT-18	18"	1604018	1604018B	16 3/8"
DT - 24" Pipe	4DT-24	24"	1604024	1604024B	22 3/8"
DT - 36" Pipe	4DT-36	36"	1604036	1604036B	34 3/8"
DT - 48" Pipe	4DT-48	48"	1604048	1604048B	46 3/8"

ADJUSTABLE LENGTH AND TELESCOPIC LENGTH

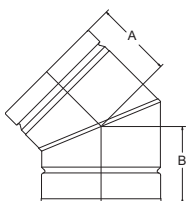


Description	Part No.	Sku No.
Adjustable Length 4-10" 4 x 6-5/8"	4DT-AJ12	1604082
Adjustable Length 4-10" 4 x 6-5/8" Black	4DT-AJ12B	1604082B
Telescopic Adj. Length 14-22" 4 x 6-5/8"	4DT-AJ14	1604084
Telescopic Adj. Length 14-22" 4 x 6-5/8" Black	4DT-AJ14B	1604084B

SIZE	DIM A	DIM A-Telescopic
4 x 6-5/8"	12.0"	14.0"

NOTE: Adjustable length slides onto standard pipe section for adjustment from 4" to 10".

45° ELBOW

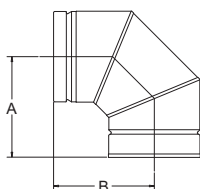


Description	Part No.	Sku No.
Elbow 4 x 6-5/8" 45°	4DT-EL45	1604215
Elbow 4 x 6-5/8" 45° Black	4DT-EL45B	1604215B

SIZE	DIM A	DIM B
4 x 6-5/8"	4.30"	4.30"

NOTE: 45° fixed elbow rotates at the joint connection to properly align installation.

90° ELBOW

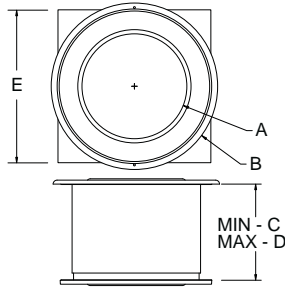


Description	Part No.	Sku No.
Elbow 4 x 6-5/8" 90°	4DT-EL90S	1604230S
Elbow 4 x 6-5/8" 90° Black	4DT-EL90SB	1604230SB

SIZE	DIM A	DIM B
4 x 6-5/8"	6.50"	6.50"

NOTE: 90° fixed elbow rotates at the joint connection to properly align installation.

WALL THIMBLE

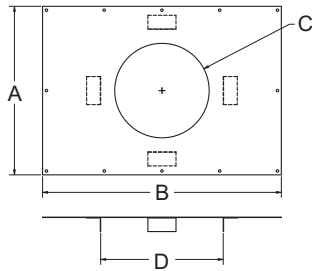
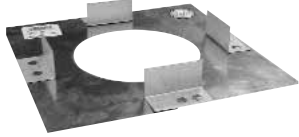


Description	Part No.	Sku No.
Wall Thimble 4 x 6-5/8" Black	4DT-WT	1604460B

SIZE	DIM A	DIM B	MIN C	MAX D	MAX E
4 x 6-5/8"	6.75"	14"	3.70"	7.00"	13.00"

NOTE: Two-piece wall thimble easily slides together for installation on wall thicknesses of 4" to 7". Serves a dual purpose as both a heat shield and firestop.

FIRESTOP SPACER

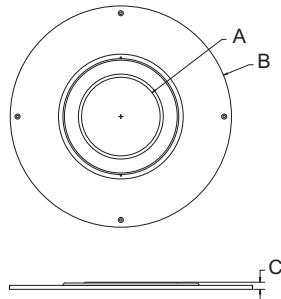


Description	Part No.	Sku No.
Firestop Spacer 4 x 6-5/8"	4DT-FS	1604500

SIZE	DIM A	DIM B	DIM C	DIM D
4 x 6-5/8"	12.0"	17.0"	6.72"	8.73"

NOTE: Required when penetrating combustible materials. Refer to our installation instructions for specific requirements.

TRIM PLATE

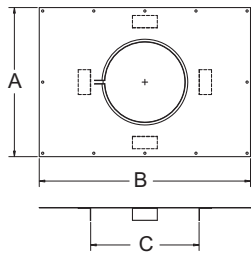


Description	Part No.	Sku No.
Trim Plate 4 x 6-5/8" Black	4DT-TP	1604502

SIZE	DIM A	DIM B	DIM C
4 x 6-5/8"	6.75"	19.0"	.50"

NOTE: Used to provide a finished look at the ceiling for vertical installations.

CEILING SUPPORT

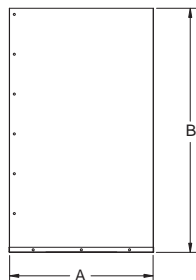


Description	Part No.	Sku No.
Ceiling Support 4 x 6-5/8"	4DT-CS	1604400

SIZE	DIM A	DIM B	DIM C
4 x 6-5/8"	12.0"	17.0"	8.73"

NOTE: Required when penetrating floors on multi-story applications.

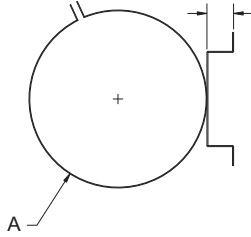
CATHEDRAL CEILING SUPPORT BOX



Description	Part No.	Sku No.
Cathedral Ceiling Support Box 4 x 6-5/8" Blk.	4DT-CCS	1604424B

SIZE	DIM A	DIM B
4 x 6-5/8"	10.625"	14.0"

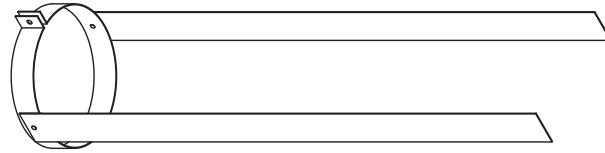
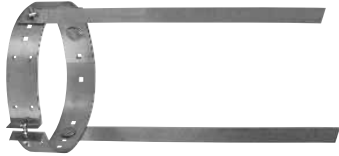
WALL SUPPORT BAND



Description	Part No.	Sku No.
Wall Support/Band 4 x 6-5/8"	4DTWS/B	1604430

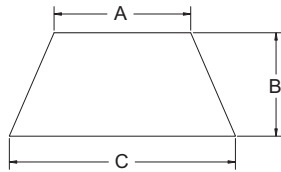
SIZE	DIM A	DIM B
4 x 6-5/8"	6.625"	1.0"

OFFSET SUPPORT



Description	Part No.	Sku No.
Offset Support 4 x 6-5/8"	4DT-OS	1604435

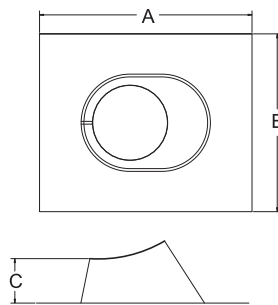
STORM COLLAR



Description	Part No.	Sku No.
Storm Collar 4 x 6-5/8"	4DT-SC	1604810

SIZE	DIM A	DIM B	DIM C
4 x 6-5/8"	6.625"	5.50"	11.0"

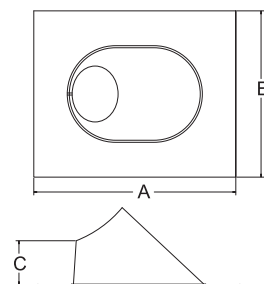
ADJUSTABLE ROOF FLASHING 0-12 to 6-12



Description	Part No.	Sku No.
0/12 - 6/12 4 x 6-5/8"	4DT-AF6	1604825

SIZE	DIM A	DIM B	DIM C
4 x 6-5/8"	19.125"	16.0"	4.0"

ADJUSTABLE ROOF FLASHING 6-12 to 12-12



Description	Part No.	Sku No.
6/12 - 12/12 4 x 6-5/8"	4DT-AF12	1604830

SIZE	DIM A	DIM B	DIM C
4 x 6-5/8"	19.125"	16.0"	4.0"

CHIMNEY CONVERSION KITS - USA Only



Masonry Chimney Conversion Kit

Connect to a masonry chimney using Selkirk stainless steel flexible chimney liner – Model SFCL (sold separately)



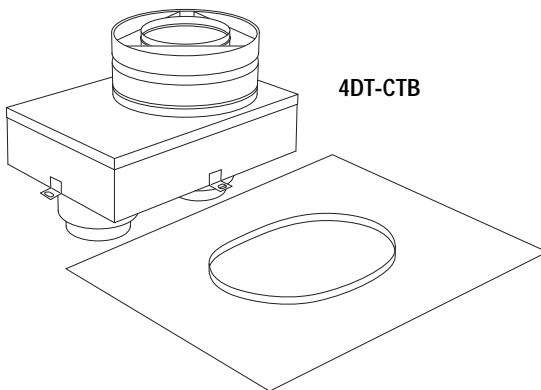
Chimney Conversion Kit

Connect to a 6" I.D. Class A chimney using Selkirk stainless steel flexible chimney liner – Model SFCL (sold separately)

Description	Part No.	Sku No.
Masonry Chimney Conversion Kit	4DT-MCK	1604630
CHIM. CONV. KIT A (for 6" ID/8" OD Class A Chimney)	4DT-CCKA	1604631
CHIM. CONV. KIT B (for 6" ID/10" OD Class A Chimney)	4DT-CCKB	1604635

NOTE: Touch-up paint – Forrest Stove Brite Satin Black – 1A54H206

CO-LINEAR – Parts and adapters for fireplace inserts



Description	Part No.	Sku No.
Co-Linear Termination Box with Baseplate	4DT-CTB	1604650
Co-Linear Flex Connector	4DT-CFC	1604085



The Best Warranty in the Industry

MetalBest Chimney & Venting Systems feature advanced engineering designs and premium materials which allow us to offer a Lifetime Warranty.

See written warranty for details.

All HEARTH Products Are Not Created Equal.



Complete Product Lines to Meet Your Market Needs!

HVAC Products

AirMate:

Registers
Grilles
Diffusers

Chimney:

Ultra-Temp
Ultra-Temp Large
Galva-Temp
Galva-Temp Large

Venting:

Direct-Temp / Gas
RV & QC Type B Gas Vent
Flexi-Liner
Versa-Liner
Saf-T Vent Special Gas Vent

Smart air & energy solutions

UV Lights
Residential Zoning
Energy Recovery Ventilator

Hearth Products

Chimney:

Ultra-Temp
Ultra-Temp Large
Galva-Temp
Galva-Temp Large

Fireplaces:

MAX! HE

Venting:

Direct-Temp / Gas
Direct-Temp / Pellet
Direct-Temp / Multi-Fuel
Double Wall Stove Pipe
Saf-T Pipe
VP Pellet Pipe
Flexi-Liner
Versa-Liner
Saf-T Liner



Reduce, Reuse, Recycle
Our literature is printed on
recyclable paper

375 Green Road,
Stoney Creek, ON L8E 4A5
Toll Free: 1.888.SELKIRK (735.5475)



www.selkirkcorp.com
email: info@selkirkcorp.com

5030 Corporate Exchange Blvd.
Grand Rapids, MI 49512
Toll Free: 1.800.433.6341