

DIRECT-TEMP[®]

Direct Vent System

for Gas Fireplaces and Stoves



Direct-Temp[®] sets the standard with our Laser Precision Designed Direct Vent System.

FEATURES

- Siliconized fiberglass seal
- 304 stainless steel welded seam inner flue
- LockTab[®] security
- Pipe rotates easily to align system components
- No-sealant required
- High efficiency performance

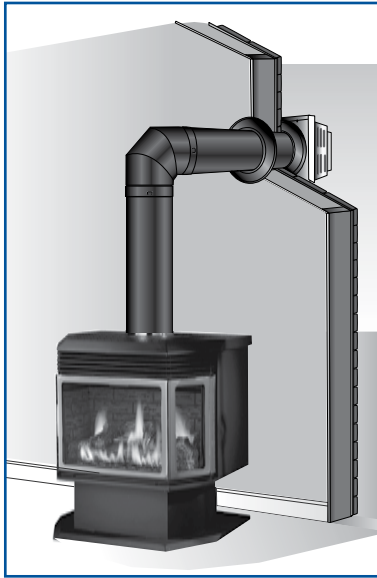
Co-Linear and Chimney Conversion Kits also included.



Direct-Temp[®] is Omni, ITS/Warnock Hersey or CSA tested and accepted for use with most major brands of direct vent appliances. For a complete listing, visit us at selkirkcorp.com



SETTING THE STANDARD FOR DIRECT VENT SYSTEMS



Solid relationships are built on integrity, performance and trust. Selkirk® has now developed the Direct-Temp® Direct Vent System which sets the standard with our Laser Precision Construction.

Integrity
Unique to today's market, Direct-Temp® provides exceptional corrosion protection and virtually no leakage due to an inner stainless steel liner. Stainless steel permits precision manufacturing tolerance, ensuring tight seals and added structural integrity of the system. Our liner has a continuously welded seam, which is superior to lock seam designs that may leak.

Performance

Our engineers set out to surpass the performance requirements of the industry with unique features found only in our direct vent system. Direct-Temp® is ideal for both sidewall and conventional through-the-roof venting solutions, and has been engineered for optimum appliance performance.

Trust

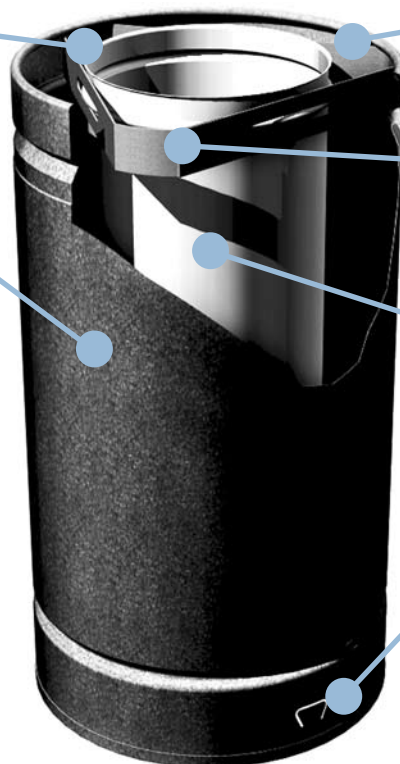
Perfecting the design of the Direct-Temp® system is indicative of Selkirk's commitment as the most trusted supplier for over 80 years. Backed by a Limited Lifetime Warranty, exceptional customer service and technologically superior products, Selkirk is the name to trust.

WHAT MAKES THE DIRECT-TEMP® SYSTEM UNIQUE?

Chamfered edges allow for easy slide-together assembly.

Centering brackets are not welded or riveted in place, creating a more attractive outer jacket and a smooth profile. The free-floating inner liner allows the pipe to expand and contract under high temperature, without creating gaps or stress points in the system.

Our proprietary siliconized fiberglass seal adds an extra layer of protection to ensure combustion products won't leak out.



Outer walls are constructed of heavy duty galvanized steel and are available in powder coat black or unpainted versions.

Heavy duty centering brackets keep inner pipe centered for easy assembly. Brackets also allow the inner pipe to float, allowing for expansion and contraction.

The 304 stainless steel seam-welded inner pipe provides exceptional corrosion resistance and enhances overall system integrity.

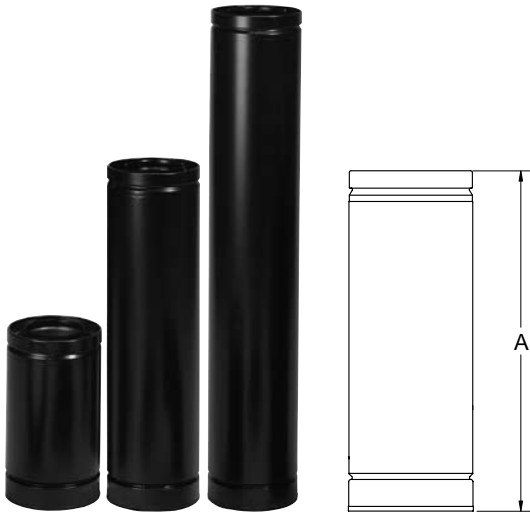
Our LockTab® is a unique design that allows for 360° rotation while securely locking the sections of pipe together with just a push of the tab.



ALL BACKED BY THE BEST WARRANTY IN THE BUSINESS.

Direct-Temp Pipe Lengths

DIRECT-TEMP® PIPE LENGTH



- Available in lengths of 6", 9", 12", 18", 24", 36" and 48".

Size	Description	Part #	(A) Lengths	Galvanized	Black	Net Installed Lengths
4 x 6 5/8	DT - 6" Pipe	4DT-06	6"	1604006	1604006B	4 3/8"
	DT - 9" Pipe	4DT-09	9"	1604009	1604009B	7 3/8"
	DT - 12" Pipe	4DT-12	12"	1604012	1604012B	10 3/8"
	DT - 18" Pipe	4DT-18	18"	1604018	1604018B	16 3/8"
	DT - 24" Pipe	4DT-24	24"	1604024	1604024B	22 3/8"
	DT - 36" Pipe	4DT-36	36"	1604036	1604036B	34 3/8"
	DT - 48" Pipe	4DT-48	48"	1604048	1604048B	46 3/8"
5 x 8	DT - 6" Pipe	5DT-06	6"	1605006	1605006B	4 3/8"
	DT - 9" Pipe	5DT-09	9"	1605009	1605009B	7 3/8"
	DT - 12" Pipe	5DT-12	12"	1605012	1605012B	10 3/8"
	DT - 18" Pipe	5DT-18	18"	1605018	1605018B	16 3/8"
	DT - 24" Pipe	5DT-24	24"	1605024	1605024B	22 3/8"
	DT - 36" Pipe	5DT-36	36"	1605036	1605036B	34 3/8"
	DT - 48" Pipe	5DT-48	48"	1605048	1605048B	46 3/8"

NOTE: Add (B) to end of Part # to specify black exterior when ordering.

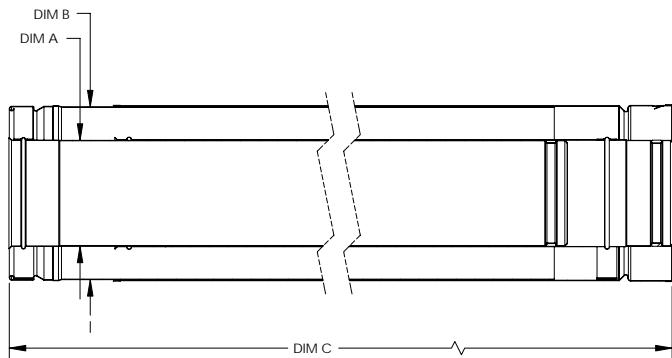
TELESCOPIC LENGTH

- Telescopic lengths adjust 14"-22" on TL14 or 38"-70" on TL38.



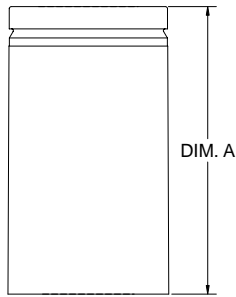
Size	Description	Part #	Sku #
4 x 6 5/8	Telescopic Length 14-22" 4 x 6-5/8"	4DT-TL14	1604084
	Telescopic Length 14-22" 4 x 6-5/8" Black	4DT-TL14B	1604084B
	Telescopic Length 38-70" 4 x 6-5/8"	4DT-TL38	1604086
	Telescopic Length 38-70" 4 x 6-5/8" Black	4DT-TL38B	1604086B

Part #	DIM A	DIM B	DIM C
4DT-TL14	4"	6.625"	14-22"
4DT-TL38	4"	6.625"	38-70"



Direct-Temp Pipe Lengths

ADJUSTABLE LENGTH



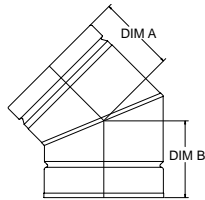
- Adjustable length slides onto standard pipe section for adjustment from 4" to 10".

Size	Description	Part #	SKU #
4 x 6^{5/8}	Adjustable Length 4-10" 4 x 6-5/8"	4DT-AJ12	1604082
	Adjustable Length 4-10" 4 x 6-5/8" Black	4DT-AJ12B	1604082B
5 x 8	Adjustable Length 4-10" 5 x 8"	5DT-AJ12	1605082
	Adjustable Length 4-10" 5 x 8" Black	5DT-AJ12B	1605082B

SIZE	DIM A
4 x 6-5/8"	12.0"
5 x 8"	12.0"

Direct-Temp Elbows

45 DEGREE ELBOW

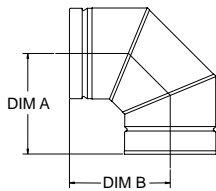


- 45 degree fixed elbow rotates at the joint connection to properly align installation.

Size	Description	Part #	SKU #
4 x 6^{5/8}	Elbow 4 x 6-5/8" 45 Degrees	4DT-EL45	1604215
	Elbow 4 x 6-5/8" 45 Degrees Black	4DT-EL45B	1604215B
5 x 8	Elbow 5 x 8" 45 Degrees	5DT-EL45	1605215
	Elbow 5 x 8" 45 Degrees Black	5DT-EL45B	1605215B

SIZE	DIM A	DIM B
4 x 6-5/8"	4.30"	4.30"
5 x 8"	5.00"	5.00"

90 DEGREE ELBOW



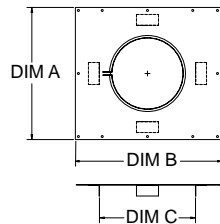
- 90 degree fixed elbow rotates at the joint connection to properly align installation.

Size	Description	Part #	SKU #
4 x 6^{5/8}	Elbow 4 x 6-5/8" 90 Degrees	4DT-EL90S	1604230S
	Elbow 4 x 6-5/8" 90 Degrees Black	4DT-EL90SB	1604230SB
5 x 8	Elbow 5 x 8" 90 Degrees	5DT-EL90	1605230
	Elbow 5 x 8" 90 Degrees Black	5DT-EL90B	1605230B

SIZE	DIM A	DIM B
4 x 6-5/8"	6.50"	6.50"
5 x 8"	7.30"	7.30"

Direct-Temp Supports

CEILING SUPPORT

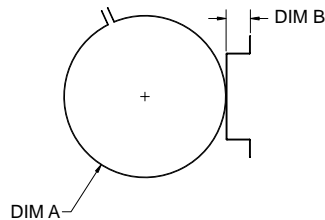


- Used as support on vertical applications when penetrating flat ceilings or floors.

Size	Description	Part #	Sku #
4 x 6^{5/8}	Ceiling Support 4 x 6-5/8"	4DT-CS	1604400
5 x 8	Ceiling Support 5 x 8"	5DT-CS	1605400

SIZE	DIM A	DIM B	DIM C
4 x 6-5/8"	12.0"	12.0"	8.73"
5 x 8"	14.0"	14.0"	10.125"

WALL SUPPORT/BAND

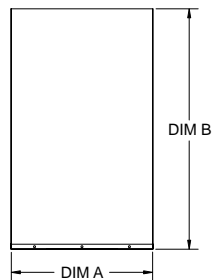


- Used as a support along the wall to provide stability and one-inch clearance.

Size	Description	Part #	Sku #
4 x 6^{5/8}	Wall Support/Band 4 x 6-5/8"	4DTWS/B	1604430
5 x 8	Wall Support/Band 5 x 8"	5DTWS/B	1605430

SIZE	DIM A	DIM B
4 x 6-5/8"	6.625"	1.0"
5 x 8"	8.0"	1.0"

CATHEDRAL CEILING SUPPORT BOX

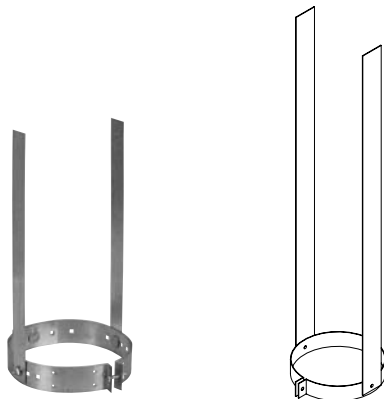


- Used to support Direct-Temp pipe when installing in a cathedral or pitched ceiling. CCS comes with Support Collar and Decorative two-piece Trim Plate.

Size	Description	Part #	Sku #
4 x 6^{5/8}	Cathedral Ceiling Spprt. Box 4 x 6-5/8" Blk.	4DT-CCS	1604424B
5 x 8	Cathedral Ceiling Spprt. Box 5 x 8" Blk.	5DT-CCS	1605424B

SIZE	DIM A	DIM B
4 x 6-5/8"	10.625"	14.0"
5 x 8"	10.625"	14.0"

OFFSET SUPPORT



- Supports Direct-Temp pipe when using offsets or as a re-support on vertical runs that need additional support.

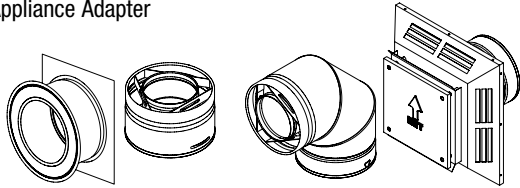
Size	Description	Part #	Sku #
4 x 6^{5/8}	Offset Support 4 x 6-5/8"	4DT-OS	1604435
5 x 8	Offset Support 5 x 8"	5DT-OS	1605435

Direct-Temp Termination Kits

TERMINATION KITS

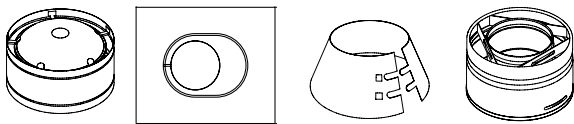
Horizontal Termination Kit "A" Includes:

90 Degree Elbow, Wall Thimble, Horizontal Termination & Appliance Adapter



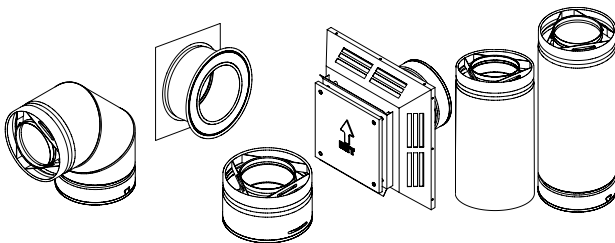
Vertical Termination Kit Includes:

Adjustable Flashing 0/12-6/12, Appliance Adapter, Storm Collar & Vertical Termination



Horizontal Termination Kit "B" Includes:

90 Degree Elbow, Wall Thimble, Horizontal Termination, Appliance Adapter, 24" Pipe & Adjustable Length Pipe (4-10")



Size	Description	Part #	SKU #
4 x 6 5/8	Vertical Termination Kit	4DT-VKC	1604620
	Horizontal Termination Kit "A"	4DT-HKA	1604621
	Horizontal Termination Kit "B"	4DT-HKB	1604622



CHIMNEY CONVERSION KITS

Size	Description	Part #	SKU #
4 x 6 5/8	Masonry Chimney Conversion Kit	4DT-MCK	1604630
	CHIM. CONV. KIT A (for 6" ID/8" OD Class A Chimney)	4DT-CCKA	1604631
	CHIM. CONV. KIT B (for 8" ID/10" OD Class A Chimney)	4DT-CCKB	1604635



Masonry Chimney Conversion Kit
Connect to a masonry chimney using Selkirk aluminum Flexi-Liner (sold separately)



Chimney Conversion Kit
Connect to a 6" I.D. or 8" I.D. Class A chimney using Selkirk aluminum Flexi-Liner (sold separately)

Masonry Chimney Conversion Kit Includes:

Chimney Inlet Adapter, Chimney Outlet Adapter and Flashing

Chimney Conversion Kit "A" Includes:

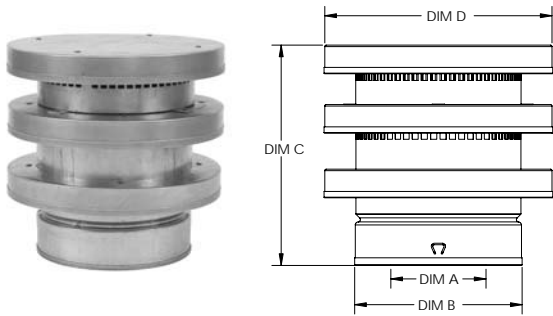
6" Chimney Inlet Connector, 6" Chimney Outlet Connector and screw pack

Chimney Conversion Kit "B" Includes:

8" Chimney Inlet Connector, 8" Chimney Outlet Connector and screw pack

Direct-Temp Termination Caps

VERTICAL TERMINATION

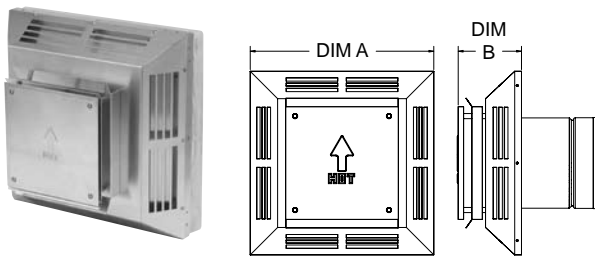


- Used as end cap for vertical applications only.

Size	Description	Part #	Sku #
4 x 6^{5/8}	Vertical Termination 4 x 6-5/8"	4DT-VT	1604800
5 x 8	Vertical Termination 5 x 8"	5DT-VT	1605800

SIZE	DIM A	DIM B	DIM C	DIM D
4 x 6-5/8"	4"	6.625"	8.75"	9.125"
5 x 8"	5"	8.00"	8.75"	11.125"

INSULATED HORIZONTAL TERMINATION

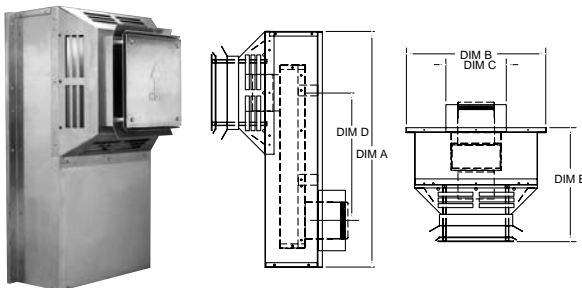


- Used as end cap for horizontal applications only.

Size	Description	Part #	Sku #
4 x 6^{5/8}	Horizontal Termination 4 x 6-5/8"	4DT-HC	1604804
5 x 8	Horizontal Termination 5 x 8"	5DT-HC	1605804

SIZE	DIM A	DIM B
4 x 6-5/8"	13.50"	7.0"
5 x 8"	16.0"	7.0"

SNORKEL TERMINATION



- Use when horizontal termination is too close to grade or additional height is needed.

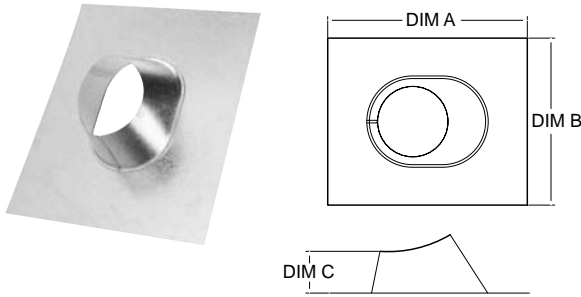
Size	Description	Part #	Sku #
4 x 6^{5/8}	14" Rise Snorkel Termination 4 x 6-5/8"	4DT-ST14	1604836
	36" Rise Snorkel Termination 4 x 6-5/8"	4DT-ST36	1604838
5 x 8	14" Rise Snorkel Termination 5 x 8"	5DT-ST14	1605836
	36" Rise Snorkel Termination 5 x 8"	5DT-ST36	1605838

4 x 6 ^{5/8}	DIM A	DIM B	DIM C	DIM D	DIM E
SNORKEL SIZE					
14.0"	26.0"	15.25"	6.63"	14.0"	13.25"
36.0"	48.0"	15.25"	6.63"	36.0"	13.25"

5 x 8	DIM A	DIM B	DIM C	DIM D	DIM E
SNORKEL SIZE					
14.0"	27.55"	17.81"	8.04"	14.0"	13.25"
36.0"	49.55"	17.81"	8.04"	36.0"	13.25"

Direct-Temp Flashings and Collar

ADJUSTABLE ROOF FLASHING 0/12 TO 6/12

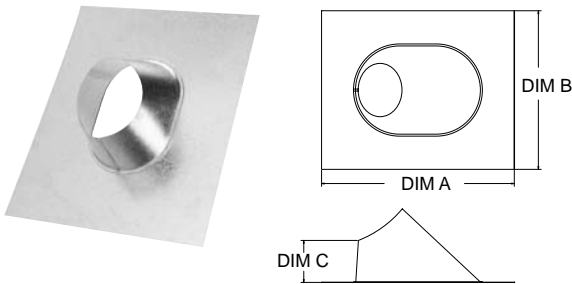


- Used to seal the opening where the Direct-Temp pipe penetrates the roof at 0/12 to 6/12 pitch.

Size	Description	Part #	Sku #
4 x 6^{5/8}	0/12 - 6/12 4 x 6-5/8"	4DT-AF6	1604825
5 x 8	0/12 - 6/12 5 x 8"	5DT-AF6	1605825

SIZE	DIM A	DIM B	DIM C
4 x 6-5/8"	18.00"	15.25"	4.0"
5 x 8"	28.50"	24.00"	4.0"

ADJUSTABLE ROOF FLASHING 6/12 TO 12/12



- Used to seal the opening where the Direct-Temp pipe penetrates the roof at 6/12 to 12/12 pitch.

Size	Description	Part #	Sku #
4 x 6^{5/8}	6/12 - 12/12 4 x 6-5/8"	4DT-AF12	1604830
5 x 8	6/12 - 12/12 5 x 8"	5DT-AF12	1605830

SIZE	DIM A	DIM B	DIM C
4 x 6-5/8"	24.30"	20.00"	4.0"
5 x 8"	31.875"	27.00"	4.0"

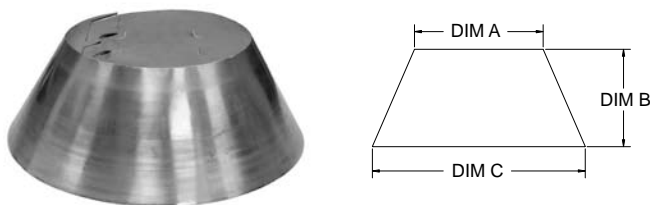
RUBBER BOOT ROOF FLASHING



- Used for installations on corrugated roofs flat to 12/12 pitch to seal where Direct-Temp pipe penetrates the roof. Kit includes rubber boot (23.8" x 21.5"), spacers kit, special storm collar and mounting screws.

Size	Description	Part #	Sku #
4 x 6^{5/8}	Universal Rubber Boot Flashing Kit	URBAK	200275
5 x 8	Universal Rubber Boot Flashing Kit	URBAK	200275

STORM COLLAR



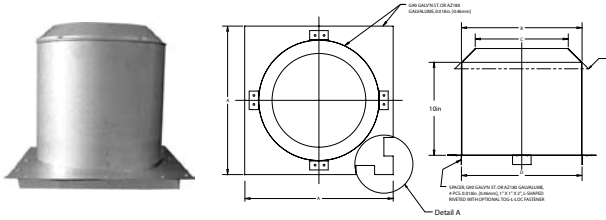
- Used to fit around Direct-Temp pipe just above the roof flashing to prevent water from leaking between storm collar and pipe.

Size	Description	Part #	Sku #
4 x 6^{5/8}	Storm Collar 4 x 6-5/8"	4DT-SC	1604810
5 x 8	Storm Collar 5 x 8"	5DT-SC	1605810

SIZE	DIM A	DIM B	DIM C
4 x 6-5/8"	6.625"	5.50"	11.0"
5 x 8"	8.0"	5.50"	15.0"

Direct-Temp Shields

ATTIC INSULATION SHIELD

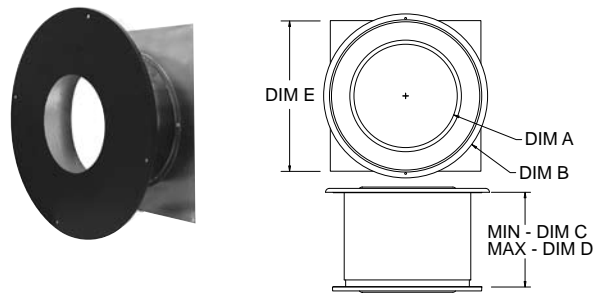


- The attic insulation shield is required to guard against the hazard of blown in or blanket insulation occupying the required 2" airspace around the vent.

Size	Description	Part #	Sku #
4 x 6^{5/8}	Attic Insulation Shield 4 x 6-5/8"	4DT-AIS	1604490
5 x 8	Attic Insulation Shield 5 x 8"	5DT-AIS	1605490

SIZE	DIM A	DIM B	DIM C	DIM D
4 x 6-5/8"	10.75"	8.75"	6.75"	8.75"
5 x 8"	12.125"	10.125"	8.125"	10.125"

WALL THIMBLE

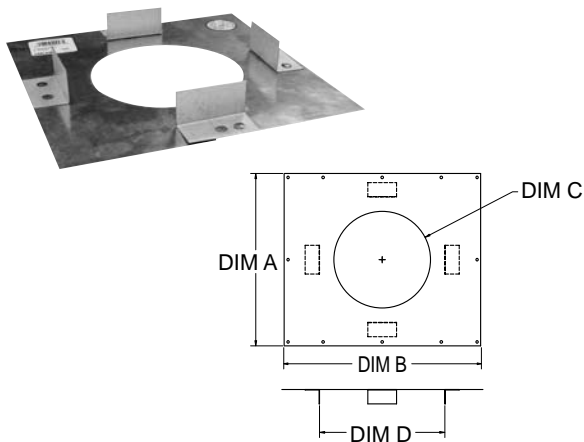


- Two-piece wall thimble easily slides together for installation on wall thicknesses of 4" to 7". Serves a dual purpose as both a heat shield and firestop.

Size	Description	Part #	Sku #
4 x 6^{5/8}	Wall Thimble 4 x 6-5/8" Black	4DT-WT	1604460B
5 x 8	Wall Thimble 5 x 8" Black	5DT-WT	1605460B

SIZE	DIM A	DIM B	MIN C	MAX D	DIM E
4 x 6-5/8"	6.75"	14.0"	3.70"	7.00"	13" x 13"
5 x 8"	8.125"	19.0"	6.0"	11.0"	12.5" x 12.5"

FIRESTOP SPACER

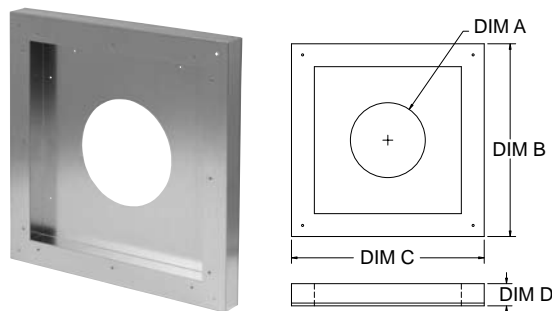


- Required when penetrating combustible materials. Refer to our installation instructions for specific requirements.

Size	Description	Part #	Sku #
4 x 6^{5/8}	Firestop Spacer 4 x 6-5/8"	4DT-FS	1604500
5 x 8	Firestop Spacer 5 x 8"	5DT-FS	1605500

SIZE	DIM A	DIM B	DIM C	DIM D
4 x 6-5/8"	12.0"	12.0"	6.72"	8.73"
5 x 8"	14.0"	14.0"	8.125"	10.125"

VINYL SIDING STANDOFF



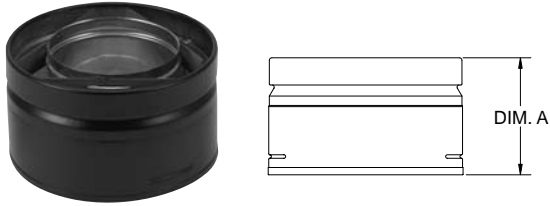
- Used as a heat shield for vinyl siding when terminating horizontally.

Size	Description	Part #	Sku #
4 x 6^{5/8}	Vinyl Siding Standoff 4 x 6-5/8"	4DT-VS	1604806
5 x 8	Vinyl Siding Standoff 5 x 8"	5DT-VS	1605806

SIZE	DIM A	DIM B	DIM C	DIM D
4 x 6-5/8"	6.7"	17.4"	17.4"	2.0"
5 x 8"	8.27"	19.86"	19.86"	2.0"

Direct Temp Adapters

APPLIANCE ADAPTER



- 4DT-AA Appliance Adapter can be used to ensure secure connection to twist-lock type appliance outlet collars.

Size	Description	Part #	SKU #
4 x 6 5/8	Appliance Adapter 4 x 6-5/8" Black	4DT-AA	1604245B
	Vermont Castings Adapter 4 x 6-5/8" Black	4DT-AAV	1604246B
	Universal Adapter 4 x 7" Black*	4DT-AAN	1604247B
5 x 8	Appliance Adapter 5 x 8"	5DT-AA	1605245
	Napoleon Fireplace Adapter	5DT-AAN	1605247

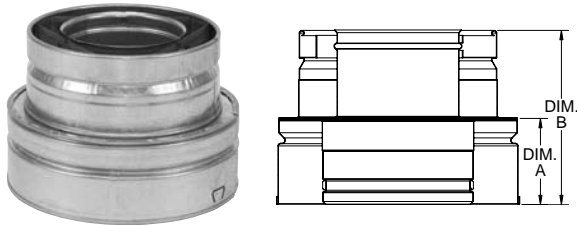
SIZE	DIM A
4 x 6-5/8"	4.0"
5 x 8"	4.0"

*For all direct vent appliances with 4" x 7" outlet, including Napoleon.

Shown 4DT-AA Appliance Adapter

- NOTE:** - The Appliance Adapter is not required in every application.
 - DIRECT-TEMP WILL SLIDE DIRECTLY ON TO MOST DIRECT VENT APPLIANCE OUTLETS

5 X 8 TO 4 X 6-5/8 REDUCER

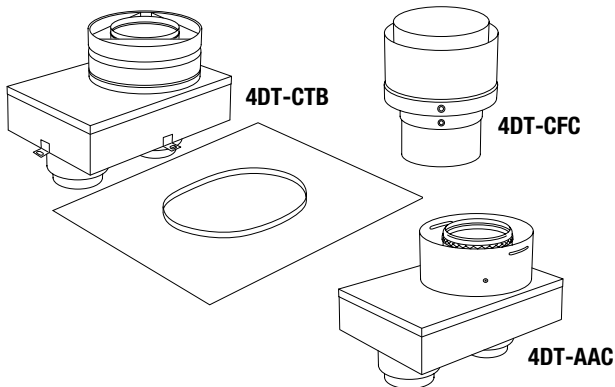


- Our new Direct-Temp® direct vent reducer allows you to adapt 5 x 8" Direct-Temp pipe diameter to the 4 x 6-5/8" pipe diameter for vertical run applications when permitted by appliance manufacturer.

Size	Description	Part #	SKU #
5 x 8	5 x 8" to 4 x 6-5/8" DT Pipe Reducer	5DT-R4	1605364

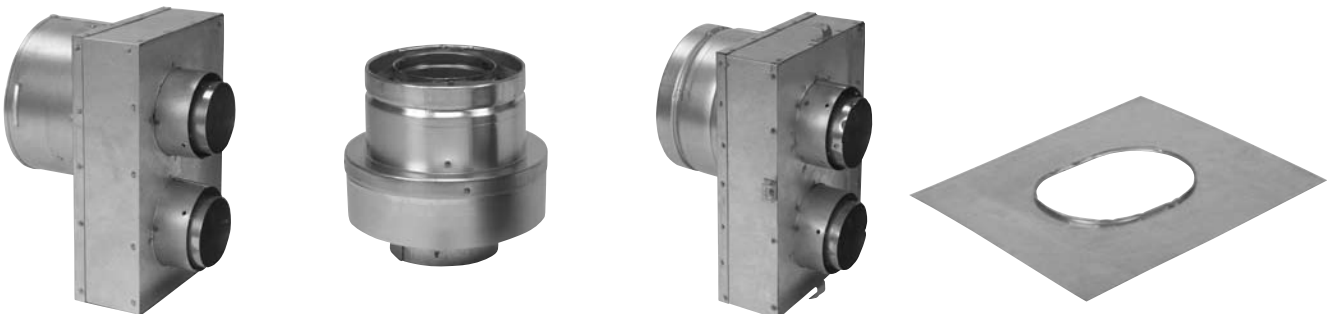
SIZE	DIM A	DIM B
5 x 8"	2.88"	5.75"

CO-LINEAR – PARTS AND ADAPTERS



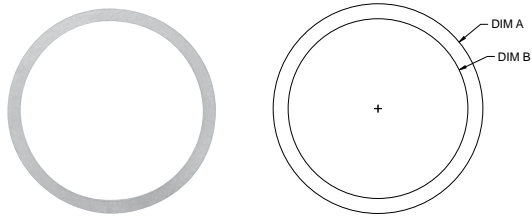
- Use with Selkirk 3" aluminum Flexi-Liner or equivalent.

Size	Description	Part #	SKU #
4 x 6 5/8	Co-Linear Termination Box with Baseplate	4DT-CTB	1604650
	Co-Linear Appl. Adapter-Standard	4DT-AAC	1604655
	Co-Linear Appl. Adapter-Vermont Castings	4DT-AACV	1604656
	Co-Linear Appl. Adapter-Travis Industries	4DT-AACT	1604657
	Co-Linear Flex Connector	4DT-CFC	1604085



Direct Temp Accessories

RESTRICTION DISK

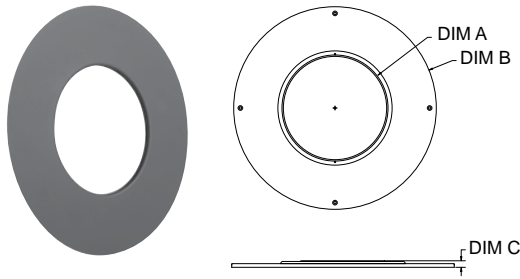


- Use in accordance with appliance manufacturer's instructions only.

Size	Description	Part #	Sku #
4 x 6^{5/8}	Restriction Disk 4 x 6-5/8"	4DT-RD	1604285

SIZE	DIM A	DIM B
4 x 6-5/8"	5.25"	4.50"

TRIM PLATE

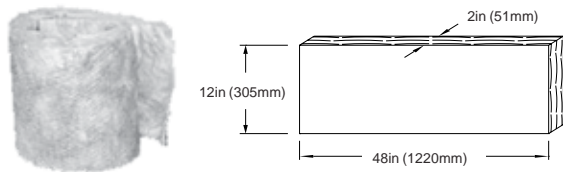


- Used to provide a finished look at the ceiling for vertical installations.

Size	Description	Part #	Sku #
4 x 6^{5/8}	Trim Plate 4 x 6-5/8" Black	4DT-TP	1604502
5 x 8	Trim Plate 5 x 8" Black	5DT-TP	1605502

SIZE	DIM A	DIM B	DIM C
4 x 6-5/8"	6.75"	14.0"	.50"
5 x 8"	8.125"	19.0"	.312"

SUSI (SELKIRK UNIVERSAL SHIELDING INSULATION)



- Optional insulation for use with the Support Box, Attic Insulation Shield and Insulated Wall Thimble. The SUSI protects building materials against radiant heat from the chimney and helps maintain temperatures within the chimney system. The SUSI also stops air infiltration into the dwelling.

Part #	Sku #
SUSI	200001

HEARTH Products

Chimney:

Ultra-Temp
Ultra-Temp Large
Galva-Temp
Galva-Temp Large

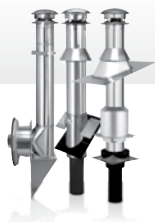
Fireplaces:

MAX! HE

Venting:

Direct-Temp/Gas
Direct-Temp/Pellet
Direct-Temp/Multi-Fuel
Double Wall Stove Pipe
Saf-T Pipe
VP Pellet Pipe
Flexi-Liner
Versa-Liner
Saf-T Liner

All Venting Products Are Not Created Equal.



All-Fuel Chimney



Stove Pipe



Direct-Vent



Aluminum
Chimney Liners



Stainless Steel
Chimney Liners



Pellet Pipe

Selkirk Corporation
1301 W. President George Bush Hwy,
Suite 330
Richardson, Texas 75080-1139
1.800.992.VENT (8368)
Toll Free Fax: 1.877.393.4145

SDTCAT 04/09



www.selkirkcorp.com

Selkirk Canada Corporation
375 Green Road
Stoney Creek, Ontario
Canada L8E 4A5
1.888.SELKIRK (735.5475)
Toll Free Fax: 1.866.835.9624