

# THE HEIGHT OF PERFECTION



PRODUCT DIRECTORY

## Secure Temp™ ASHT+

**FACTORY-BUILT  
CHIMNEY**  
FOR RESIDENTIAL  
AND COMMERCIAL  
APPLICATIONS

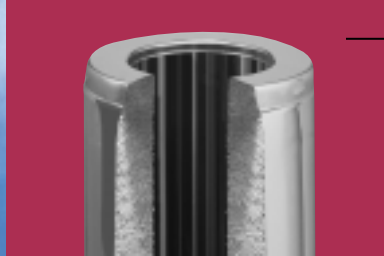
## Secure Temp™ S-2100+

**HIGH-TEMPERATURE  
CHIMNEY TESTED  
TO 2100°F**  
FOR USE WITH  
EFFICIENT SOLID-FUEL  
APPLIANCES



# REACHING NEW HEIGHTS

Three decades of proven quality  
and innovations.



## **Innovative design**

Security chimneys are made of stainless steel for outstanding resistance to corrosion and feature exclusive Secura Plus-2 insulation for minimum heat loss. These new Security chimneys are also 25% lighter!



## **Easy to install**

The Security chimneys feature fast and easy Twist-Lock assembly. This system keeps installation time to a minimum. No additional part is needed!



## **A real beauty**

High quality 400-series stainless steel selected for its outstanding resistance to corrosion and astonishing looks. What a beauty!



## **Everything you need**

Security Chimneys International offers a wide variety of universal accessories that add beauty and simplicity to every installation. From insulated attic and wall radiation shields to wall bands and roof supports that fit 5, 6, 7, 8 and 10" I.D. That means less SKUs!



## **Lifetime Limited Warranty**

Security Chimneys International guarantees their stainless steel chimneys for an unlimited time from the date of purchase against chimney fires and corrosion.

# TABLE OF CONTENTS



PRODUCT DIRECTORY

The Security Chimneys International line of venting products and fireplaces has benefitted from continuous improvement to make it a household name for over 40 years.

**Subject** **Page**

<b>Technical Data</b>	<b>4-5</b>
Field of application	4
Design	4
Construction	4
Composition	4
Insulation	4
Installation (general info)	4
Certification	4
Warranty	4

<b>Installation Information</b>	<b>8-9</b>
Installation	8
Safety	8
Support	8
Offset	8
Connection	8
Chimney sizing	8
Assembly	8
Stability	8
Watertightness on the roof	8
Termination	8
Charts	9

<b>Typical Installations</b>	<b>10-12</b>
To a fireplace through an exterior chase	10
In condominiums with several fireplaces	10
To a furnace and water heater	11

<b>Product Specifications</b>	<b>14-22</b>
-------------------------------	--------------

**Subject** **Page**

<b>Technical Data</b>	<b>6-7</b>
Field of application	6
Design	6
Composition	6
Insulation	6
Installation (general info)	6
Certification	6
International Warranty	6

<b>Installation Information</b>	<b>8-9</b>
Installation	8
Safety	8
Support	8
Offset	8
Connection	8
Chimney sizing	8
Assembly	8
Stability	8
Watertightness on the roof	8
Termination	8
Charts	9

<b>Typical Installations</b>	<b>12-13</b>
Exterior installation to a stove	12
On a stove with finishing support	12
On a masonry fireplace	13

<b>Product Specifications</b>	<b>14-22</b>
-------------------------------	--------------

## Secure Temp™ ASHT+

**FACTORY-BUILT CHIMNEY**  
FOR RESIDENTIAL AND COMMERCIAL APPLICATIONS

## Secure Temp™ S-2100+

**HIGH-TEMPERATURE CHIMNEY TESTED TO 2100°F**  
FOR USE WITH EFFICIENT SOLID-FUEL APPLIANCES

### FACTORY-BUILT CHIMNEY

FOR RESIDENTIAL AND COMMERCIAL APPLICATIONS

One of the most widely used in North America.

The Secure Temp™ ASHT+ is one of the most extensively used factory-built venting systems in North America.

In Canada, the Secure Temp™ ASHT+ chimney has been certified according to two standards. It has been listed to both the ULC-S610 standard for high temperature chimneys, used with open or closed factory-built fireplaces, as well as for Type A chimneys in applications with heating units listed to ULC-S604 standard.

Continuous improvement has made Security Chimneys International a household name for over 40 years — and one of the most popular line of venting products in North America.

Our Secure Temp™ ASHT+ model is a high-quality Canadian product which ensures that end-users benefit from maximum safety. Moreover, for years now, its inner lining and outer casing have provided proven corrosion protection.

### Field of application

Security Chimneys International's Secure Temp™ ASHT+ chimney has been designed for residential applications and is available in diameters from 5 to 10 inches. Our customer service department will gladly help determine your needs.

While it has been specially developed for use with gas-fired or oil-fired heating appliances, such as furnaces, hot-water heaters and other appliances venting gases at maximum continuous temperatures of 1000°F, it can safely withstand brief firings at 1700°F, as per ULC-S604 standards.

The Secure Temp™ ASHT+ chimney is also suitable for use with closed or open factory-built wood-burning fireplaces, such as the BIS II, the entire line of fireplace products manufactured by Security Chimneys International and other products certified for use with the Secure Temp™ ASHT+ chimney, per ULC-S610 standards (check manufacturer's certification). Venting temperatures allowed under this standard must not exceed 2100°F in brief firings. Its use is limited to diameters of 7, 8 and 10 inches.

### Design

Security Chimneys International's Secure Temp™ ASHT+ model is a double-wall stainless steel chimney whose exclusive Secura Plus-2 insulation lines the cavity between the walls.

### Construction

The external casing of the Secure Temp™ ASHT+ carries the structural load. A free-floating inner lining is attached only to the male coupler at the top, expanding and contracting freely with temperature fluctuations.

### Composition

The use of high-quality stainless steel selected for their resistance to high temperatures and corrosion lends outstanding durability to the Secure Temp™ ASHT+ chimney.

### Insulation

The Secure Temp™ ASHT+ is lined with exclusive, superior quality, high-density Secura Plus-2 insulation. Chimneys in diameters of 5 to 10 inches feature one inch of insulation. This exclusive insulation keeps the temperature of the outer casing relatively low, allowing all Secure Temp™ ASHT+ chimneys, regardless of diameter, to be installed as close as 2 inches from combustible materials. Moreover, this insulation makes it possible to keep safety features as simple as possible.

### Installation

The Secure Temp™ ASHT+ (5 to 10 inch diameters) features fast and easy Twist-Lock assembly. Lengths and fittings fit together and lock into place by twisting one-eighth of a turn. No other part is needed to ensure the chimney's structural stability. This system keeps installation time to a minimum.

### Certification

The Secure Temp™ ASHT+ chimney is listed by Intertek Testing (Warnock Hersey) to two standards, thus meeting the needs of two types of applications.

#### Secure Temp™ ASHT+:

For residential, all diameters from 5 to 10 inches.

- Tested to ULC-S604

#### Temperature Period

1000°F	Time required to reach this level
1400°F	1 hour
1700°F	3 x 10 minutes, brief forced firing

#### Secure Temp™ ASHT+ :

For wood-burning fireplaces (certified with Secure Temp™ ASHT+), in diameters of 6, 7, 8 and 10 inches only.

- Tested to ULC-S610

#### Temperature Period

1000°F	Time required to reach this level
1400°F	1 hour
2100°F	3 x 10 minutes, brief forced firing

### Warranty

Security Chimneys International Ltd. guarantees both its factory-built Secure Temp™ ASHT+ and s-2100+ stainless steel chimneys for an unlimited time from the date of purchase. This warranty is limited to the replacement of chimney components, provided it has been properly installed and used as intended. This warranty cannot be extended by our representatives, written informations or drawings.

### Secure Temp™ ASHT+

Ø int.	Ø ext.	Insulation thickness (in.)	Weight in lbs./ft.*	Twist-Lock assembly	Clearance to combustible (in.)
5	7	1	4.1	yes	2
6	8	1	5.2	yes	2
7	9	1	6.4	yes	2
8	10	1	7.2	yes	2
10	12	1	8.9	yes	2

\*Lengths produced may have a weight variance of approximately 10% compared to the above listing.

## FACTORY-BUILT CHIMNEY FOR RESIDENTIAL AND COMMERCIAL APPLICATIONS

Particularly well suited to a range of applications, the Secure Temp™ ASHT+ chimney has been specially designed in keeping with the various criteria applied to the installation and use of wood-burning fireplaces in high-temperature applications and Type A installations with gas-fired or oil-fired appliances.

The Secure Temp™ ASHT+ has a number of features which account for the enviable position it has earned over the years: its easy installation and safety (both structural and thermal); its complete line of accessories; superior insulation, allowing all diameters to be installed 2 inches from combustible materials, plus proven resistance to corrosion.



### Coupler system for fast assembly

The Secure Temp™ ASHT+ features an easy assembly system leading to fast and easy installation requiring no screws or other attachments.

### Inner wall of fast-heating stainless steel

Immediate heating of the thin inner wall. Smooth wall, little restriction of flue gases even with a 45° elbow. Outstanding corrosion resistance.

### Exclusive Secura Plus-2 insulation

No shifting of the insulation. Minimal cooling of temperature which stabilizes at high levels. Reduction of condensation and creosote build-up. Avoids corrosion caused by acid condensation.

### Fast venting of combustion products

Stable and powerful draft.

### Outer casing

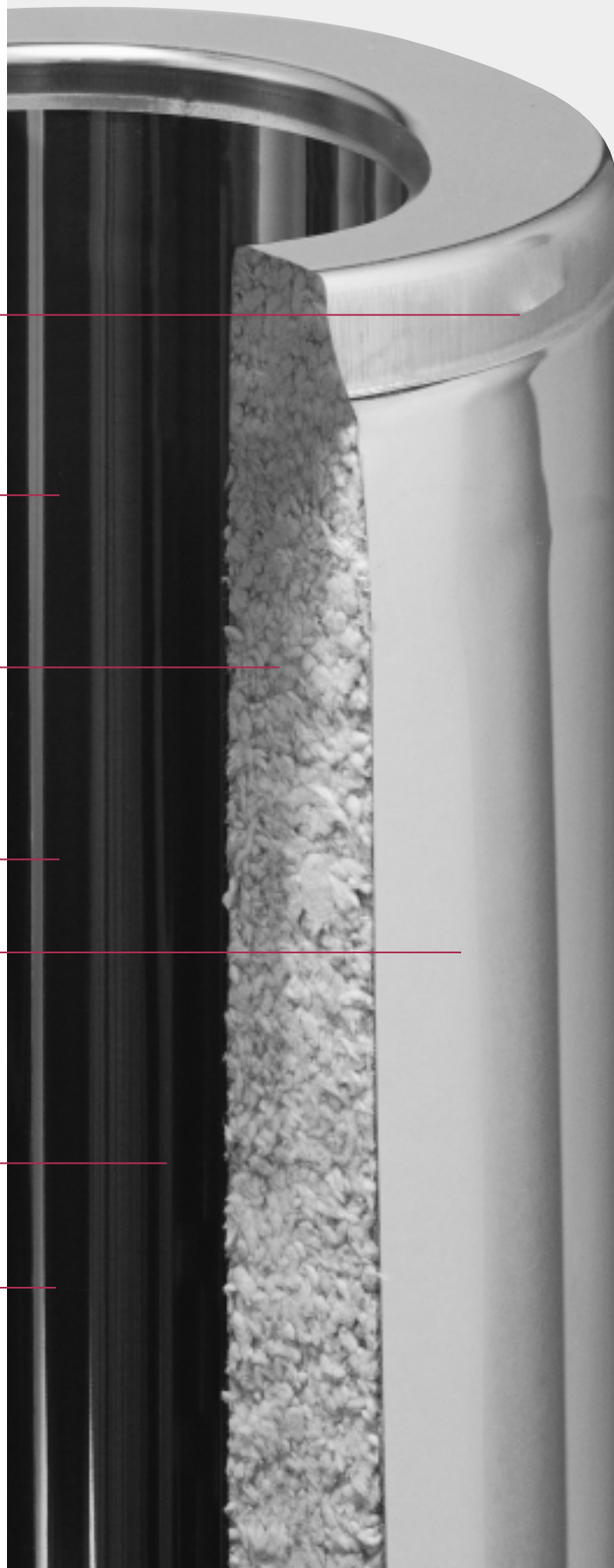
Supports the structural load. Low surface temperature. Minimum 2-inch safety clearance from combustible materials with all diameters in the Secure Temp™ ASHT+ line.

### Inner liner unattached to the female coupler

Free-floating inner wall. Unhindered expansion with rising temperatures.

### Lightweight

6-inch diameter – 5.2 lbs. per linear foot. Installation by a single worker. For support, see "Loadbearing Capacity" chart.



**HIGH-TEMPERATURE CHIMNEY TESTED TO 2100°F**  
FOR USE WITH EFFICIENT SOLID-FUEL APPLIANCES.

Designed to widely exceed existing safety standards while offering the best available chimney system.

In fact, the original Secure Temp™ s-2100+ was the first high-temperature chimney to be listed to ULC-S629M standards, meeting the world's most stringent requirements, in line with harsh Canadian weather conditions.

The Security Chimneys International line of venting products and fireplaces has benefitted from continuous improvement to make it a household brand for over 40 years.

The Secure Temp™ s-2100+ is a high-quality product offering maximum protection from chimney fires capable of reaching temperatures of 2100°F. Moreover, its inner lining and outer casing have provided proven corrosion protection.

**Field of application**

Security Chimneys International's Secure Temp™ s-2100+ high-temperature chimney has been designed for use with wood, gas, oil and coal in mainly residential, but also commercial and industrial applications.

Specially developed for use with controlled-combustion stoves and wood-burning fireplaces, the Secure Temp™ s-2100+ high-temperature chimney has been listed to ULC-S629M.

Recommended whenever an exterior installation is unavoidable, its superior insulation improves the performance of the chimney and appliance, especially in cold climates.

**Design**

The external casing of the Secure Temp™ s-2100+ high-temperature chimney carries the structural load. A free-floating inner lining is attached only to the male coupler at the top, expanding and contracting freely with temperature fluctuations.

**Composition**

The use of various gauges of stainless steel specially selected for their compatibility with high temperatures and their corrosion resistance lends outstanding durability to the Secure Temp™ s-2100+ high-temperature chimney.

**Insulation**

The Security Chimneys International's Secure Temp™ s-2100+ is a double-wall all stainless steel chimney, with a 2-inch thickness of exclusive high-density Secura Plus-2 insulation. This exclusive insulation minimizes heat loss through the chimney walls and keeps the temperature of the outer casing relatively low, allowing the Secure Temp™ s-2100+ high-temperature chimney to be installed 2 inches from combustible materials, regardless of the diameter. Moreover, this insulation makes it possible to

keep safety features as simple as possible.

**Installation**

The Secure Temp™ s-2100+ high-temperature chimney features fast and easy Twist-Lock assembly. Lengths and universal fittings fit together and lock into place by twisting one-eighth of a turn. No other part is needed to ensure the chimney's structural stability. This system keeps installation time to a minimum.

**Certification**

The Secure Temp™ s-2100+ high-temperature chimney was the first factory-built chimney to be tested and certified by Intertek Testing (Warnock Hersey) at the following temperatures:

Allowable flue gas temperature:

**Maximum continuous**  
1200°F (650°C)

**Brief forced firing**  
1400°F (760°C)

**Tested to**  
2100°F (1150°C)  
3 x 30 minutes

**Warranty**

Security Chimneys International Ltd. guarantees both its factory-built Secure Temp™ ASHT+ and s-2100+ stainless steel chimneys for an unlimited time from the date of purchase. This warranty is limited to the replacement of chimney components, provided it has been properly installed and used as intended. This warranty cannot be extended by our representatives, written information or drawings.

Secure Temp™ s-2100+

Ø int.	Ø ext.	Insulation thickness (in.)	Weight in lbs./ft.*	Twist-Lock assembly	Clearance to combustible (in.)
6	10	2	8.9	yes	2
7	11	2	9.9	yes	2
8	12	2	10.9	yes	2

\*Lengths produced may have a weight variance of approximately 10% compared to the above listing.

**HIGH-TEMPERATURE  
CHIMNEY TESTED  
TO 2100°F**  
FOR USE WITH  
EFFICIENT SOLID-FUEL  
APPLIANCES.

The Secure Temp™ S-2100+ high-temperature chimney is one of the safest chimneys in North America.

Controlled-combustion units easily produce creosote build-up in the chimney, since combustion control limits the oxygen feeding the fire. The resulting creosote build-up can cause chimney fires capable of reaching temperatures of up to 2100°F.

Over the years, the S-2100+ has become the chimney system most widely recommended by municipal fire departments. Its design and insulation have made it one of the safest chimney systems on the market.



### Coupler system for fast assembly

The Secure Temp™ S-2100+ features a fast and easy Twist-Lock assembly system. No screws or other parts are needed to secure the chimney installation.

Twist-Lock system: 1/8<sup>th</sup> turn assembly.

Overlap: 1 inch

### Stainless steel inner lining with low reaction to heat

Thin inner lining for immediate heating.

Smoother surface; little restriction of flue gases even with a 45° elbow.

Outstanding corrosion resistance.

### Two inches of exclusive Secura Plus-2 insulation

No settling of the insulation.

Minimal cooling of gas temperature which stabilizes at high levels.

Reduction of condensation and creosote build-up.

Avoids corrosion caused by acid condensation.

Increases appliance performance specially in cold climate.

### Fast venting of combustion products

Stable and powerful draft.

### Outer casing

Supports the structural load.

Low surface temperature.

Minimum 2 inch safety clearance to combustible materials in all diameters of 6, 7 and 8 inches.

### Inner liner unattached to the female coupler

Free-floating inner wall – no need for expansion joints.

Unhindered expansion with rising temperatures.

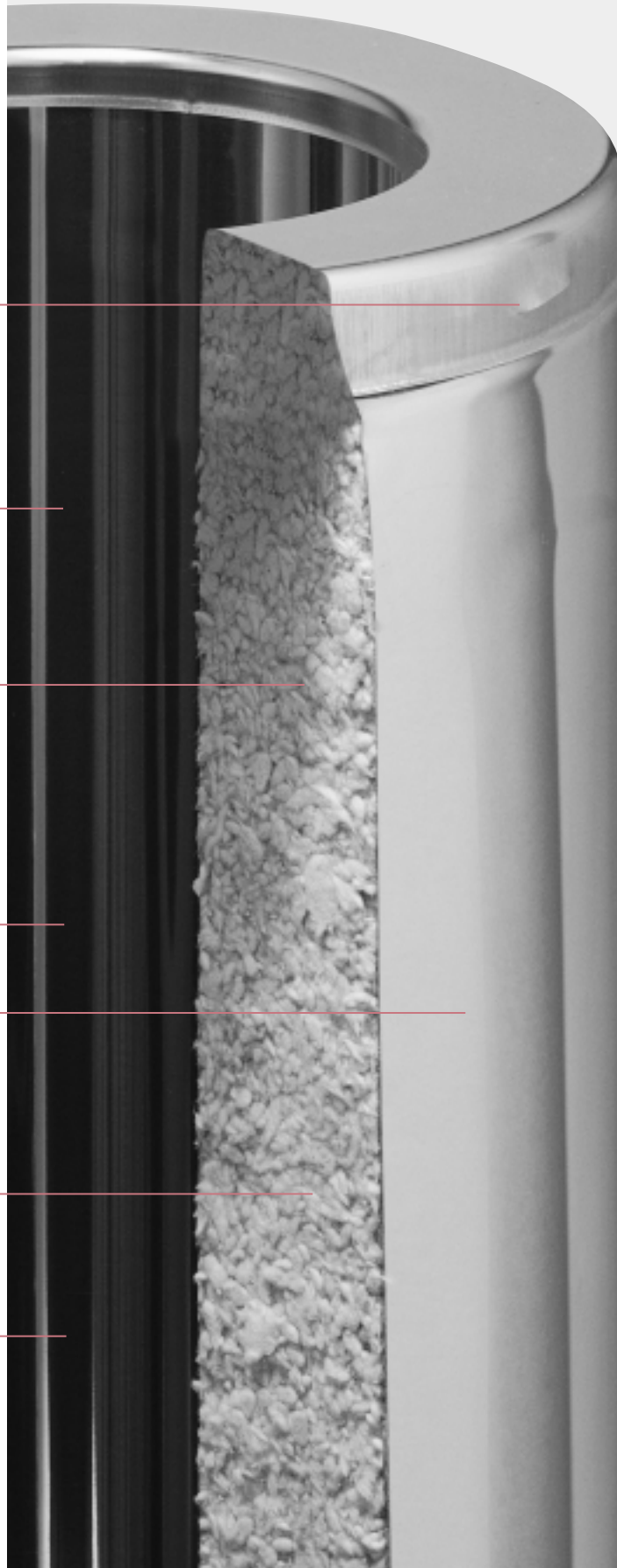
### Lightweight

6-inch diameter – 8.9 lbs. per linear foot.

User friendly.

For support, see "Loadbearing Capacity" chart.

Numbered reference on illustration, cross-sectional view.



### Installation

Assembly always requires the male coupler to be positioned upwards. Size the chimney in accordance with the appliance instruction manual. Map out the chimney path closest to the heating unit. Prior to installation, consult the detailed installation manual included with the support components.

### Safety

Security Chimneys International's **Secure Temp™ ASHT+** and **S-2100+** chimneys can be installed as close as 2 inches to combustible materials, regardless of the diameter to be used. Radiation shields and appropriate supports must be used to maintain a safe clearance as the chimney passes through floors and combustible partitions.

Some radiation shields in the **Secure Temp™ ASHT+** line have been designed specifically for use with wood-burning fireplaces. They are certified for use with the BIS II and the line of Security Fireplace products. For the use of **Secure Temp™ ASHT+** with other manufactured fireplaces, refer to the certification of these products. Available in diameters of 6, 7, 8 and 10 inches only.

As several radiation shields are available, consult the section on Firestops for specific uses.

### Support

Different types of supports are available to meet the requirements of various types of installation. When the height of the installation exceeds the loadbearing capacity, use an additional support, such as:

- base support
- anchor plate
- adjustable wall support
- roof support
- offset support/or wall support
- wall support\*
- cathedral support\*
- square cathedral support\*
- finishing support\*
- adjustable square support

\* S-2100+ only

### Offset

Elbows angled at 15°, 30° or 45° are available to offset the **Secure Temp™ ASHT+** chimney, by-passing joists and other obstacles (15° and 30° for the S-2100+). A maximum offset of 45° is allowed for the **Secure Temp™ ASHT+**, 30° for the **S-2100+**. Two offsets (total of 4 elbows) per installation are permitted.

### Connection

The use of a 90° insulated tee allows the lateral connection of the chimney or heating appliance. Thanks to its insulation, it can be safely installed close to combustible materials. It can be used to pass through a wall or at the base of an interior installation. It also provides easy access for inspection or cleaning purposes, and is often used when passing through an exterior wall.

For indoor use with **Secure Temp™ ASHT+** product, a base tee facilitates chimney inspection and cleaning. Available in galvanized steel, it provides the necessary clearance for the connection of a simple black pipe length. A base tee with two openings is also available for connecting two appliances (Type A, ULC-S604 application only). Tees come with a tee cap.

### Chimney sizing

A chimney's diameter must be well-suited to the appliance's specifications and combustion parameters. It is advisable to consult the Security Chimneys charts established for this purpose. In the case of a fireplace, check its certification with regards to the chimney.

All fireplaces and controlled-combustion units can be connected to the **Secure Temp™ S-2100+** since it has been certified, independently, to ULC-S629M standards.

### Assembly

The BIS II and all products from Security Chimneys International are connected directly to the chimney using the Twist-Lock system. Most other fireplaces certified for use with the **Secure Temp™ ASHT+** high-temperature chimney can also be installed directly or with an anchor plate. All other connections to appliances, such as furnaces, boilers and water heaters can be made using a flue extension which attaches to the female connector of the last section. Fireplaces can be connected directly to the **Secure Temp™ S-2100+** chimney using an adaptor. A flue extension is available for connections to single or double-wall black pipes. An anchor plate is also available for connecting other types of places, including masonry units.

### Stability

#### a) Vertical installation

Universal wall bands ensure the stability of the chimney. While these bands are not loadbearing components, they are necessary to ensure the chimney's lateral stability and should be used every 8 feet. A reinforced wall band should be used every 10 feet from a support.

Also available is a wall band extension which is used in combination with a reinforced wall band to extend the clearance between the chimney and wall surface by 2 to 5 inches.

#### b) Chimney through the roof

No support is required for free-standing chimneys extending up to 5 feet beyond the roof line in areas subject to normal weather conditions.

#### \* Roof brace (0 to 9 feet)

Used in areas subject to high winds, to stabilize the chimney, or on sloped roofs, to stabilize chimneys between 5 and 9 feet beyond the roof. Adjustable braces adapt to the slope of the roof (from 60 to 115 inches for the **Secure Temp™ ASHT+** and **S-2100+**).

#### \* Guy-wire band (5 to 13 feet)

Beyond 5 feet, to a maximum height of 13 feet, the **Secure Temp™ ASHT+** chimney can be stabilized using guy-wire bands.

### Watertightness on the roof

A roof flashing is required when the chimney passes through the roof. Several types are available to adapt to the full range of roof pitches.

Six types of flashing are offered:

- flat roof flashing
- flashing for sloped roof 1/12 to 7/12\*
- flashing for sloped roof 8/12 to 12/12\*
- flashing for sloped roof 12/12 to 21/12\*
- flashing for peak roof 1/12 to 7/12 (6" to 10" only)\*
- flashing for peak roof 7/12 to 12/12 (6" to 10" only)

\*Adjustable flashings

### Termination

A chimney must have a termination cap. A universal rain cap is available for the **Secure Temp™ ASHT+** and **S-2100+**.



**Loadbearing Capacity**

Ø int.	Maximum height in feet							
	5	6	7	8	10	6	7	8
<b>Supports</b>	Secure Temp™ ASHT+				Secure Temp™ S-2100+			
Base support	32	32	32	32	32			
Anchor plate	50	50	42	37	31			
Wall support	63	63	55	48	39	30	28	26
Adjust. wall support	63	63	56	48	39	30	28	26
Roof support	42	34	27	24	20	20	18	16
Offset support		28	24	20	14	18	16	14
Cathedral support						30	28	26
Sq. Cathedral support						30	28	26
Finish support						30	28	26
Adj. Square support	27	22						

**Size of Openings\***

Ø int.	Hole (framing) size							
	5	6	7	8	10	6	7	8
<b>Supports</b>	Secure Temp™ ASHT+				Secure Temp™ S-2100+			
Base support	14 3/8	14 3/8	14 3/8	14 3/8	14 3/8			
Roof support	11 3/8	12 3/8	13 3/8	14 3/8	16 3/8	14	15	16
Radiation Shield	11 3/8	12 3/8	13 3/8	14 3/8	16 3/8	14	15	16
Cathedral support						14 3/8	14 3/8	14 3/8
Sq. Cathedral support						14 3/8	14 3/8	14 3/8
Finish support						14 3/8	14 3/8	14 3/8

\* The size of the opening may vary depending on the pitch of the roof. Maintain a 2-inch clearance from the chimney.

**Chart for the selection of lengths**

This chart will make it easier for you to calculate the exact height of the chimney installation. It will enable you to deduct the value of the overlaps. Follow the steps below:

- Determine the height of the installation. ie. 32 feet.
- Determine the combination of lengths required to reach this height. Ex.: 10 X L36+ = 30 feet + L24+ = 32 feet.
- Calculate the number of sections used and deduct ONE value to obtain the number of overlaps involved. Ex.: 11 sections - 1 = 10 overlaps.
- Consult the charts to obtain the height to be deducted due to the overlaps. ie. 32 feet - 11 7/8 in. = 31 ft. 1/8 in.

If necessary, complete your estimation of the number of lengths by adding one of the following sections: L8+, L12+, L18+, L24+, L36+ or L48+

**Twist-Lock System (Ø int. 5 to 10 inches) Secure Temp™ ASHT+**

Number of overlaps								
1	2	3	4	5	6	7	8	
1 3/16	2 3/8	3 9/16	4 3/4	5 15/16	7 1/8	8 5/16	9 1/2	
9	10	11	12	13	14	15		
10 11/16	11 7/8	13 1/8	14 1/4	15 7/16	16 3/8	17 13/16		

For S-2100+, use 1 in/overlap.

Secure Temp™ ASHT+										
		One length between elbows (in.)								
Angle	Size	8	12	18	24	36	48			
15	5 @ 10 in.	Offset (in.)	3 5/16	4 5/16	5 7/8	7 7/16	10 1/2	13 5/8		
		Rise (in.)	15 11/16	19 9/16	25 3/8	31 3/16	42 3/4	54 3/8		
		Two lengths between elbows (in.)								
		8 & 48	12 & 48	18 & 48	24 & 48	36 & 48	48 & 48			
		Offset (in.)	15 3/8	16 7/16	18	19 1/2	22 5/8	25 3/4		
		Rise (in.)	60 15/16	64 13/16	70 9/16	76 3/8	87	99 9/16		

Secure Temp™ ASHT+										
		One length between elbows (in.)								
Angle	Size	8	12	18	24	36	48			
30	5 @ 10 in.	Offset (in.)	7 7/16	9 7/16	12 7/16	15 7/16	21 7/16	27 7/16		
		Rise (in.)	20	23 1/2	28 11/16	33 7/8	44 1/4	54 11/16		
		Two lengths between elbows (in.)								
		8 & 48	12 & 48	18 & 48	24 & 48	36 & 48	48 & 48			
		Offset (in.)	30 13/16	32 13/16	35 13/16	38 13/16	44 13/16	50 13/16		
		Rise (in.)	60 9/16	64	69 1/4	74 7/16	84 13/16	95 1/4		

Secure Temp™ ASHT+										
		One length between elbows (in.)								
Angle	Size	8	12	18	24	36	48			
45	5 @ 10 in.	Offset (in.)	10 5/16	13 3/16	17 3/8	21 5/8	30 1/8	38 5/8		
		Rise (in.)	17 13/16	20 5/8	24 7/8	29 1/8	37 5/8	46 1/8		
		Two lengths between elbows (in.)								
		8 & 48	12 & 48	18 & 48	24 & 48	36 & 48	48 & 48			
		Offset (in.)	43 7/16	46 1/4	50 1/2	54 3/4	63 1/4	71 11/16		
		Rise (in.)	50 15/16	53 3/4	58	62 1/4	70 3/4	79 3/16		

Secure Temp™ S-2100+										
		One length between elbows (in.)								
Angle	Size	8	12	18	24	36	48			
15	6 @ 8 in.	Offset (in.)	3 5/16	4 5/16	5 7/8	7 7/16	10 1/2	13 5/8		
		Rise (in.)	16	19 7/8	25 11/16	31 1/2	43 1/16	54 5/8		
		Two lengths between elbows (in.)								
		8 & 48	12 & 48	18 & 48	24 & 48	36 & 48	48 & 48			
		Offset (in.)	15 1/2	16 1/2	18 1/16	19 5/8	22 3/4	25 13/16		
		Rise (in.)	61 7/16	65 1/4	71 1/16	76 7/8	88 1/2	100 1/16		

Secure Temp™ S-2100+										
		One length between elbows (in.)								
Angle	Size	8	12	18	24	36	48			
30	6 @ 8 in.	Offset (in.)	7 3/8	9 3/8	12 3/8	15 3/8	21 3/8	27 3/8		
		Rise (in.)	20 11/16	24 3/16	29 3/8	34 9/16	44 15/16	55 5/16		
		Two lengths between elbows (in.)								
		8 & 48	12 & 48	18 & 48	24 & 48	36 & 48	48 & 48			
		Offset (in.)	30 7/8	32 7/8	35 7/8	38 7/8	44 7/8	50 7/8		
		Rise (in.)	61 3/8	64 7/8	70 1/16	75 1/4	85 5/8	96		

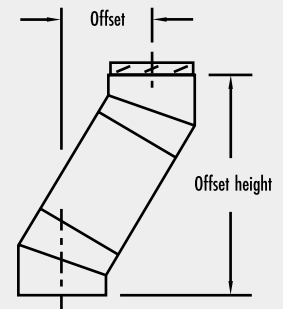
**Installation Calculations.**

The following steps will help determine the lengths required for an installation:

- Determine the offset required in view of the obstacles that must be avoided. Refer to the chart to determine the elbows required as well as the insulated lengths needed.

- Check the corresponding offset height dimensions.

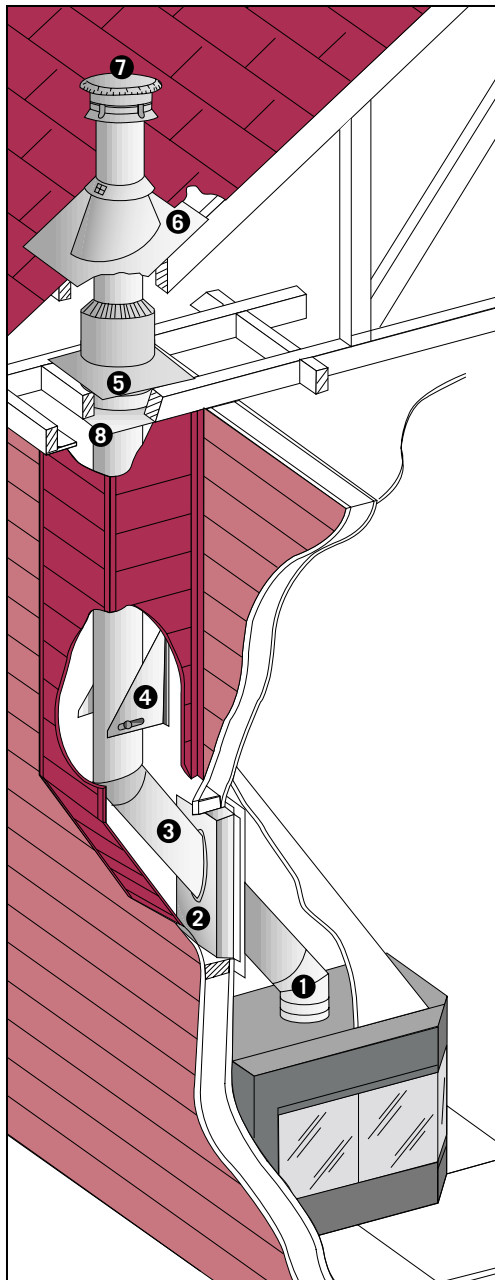
Note: The dimensions given for the height of the offset listed in the following charts refer to effective lengths after assembly.



Note: Shift or offset is centreline to centreline

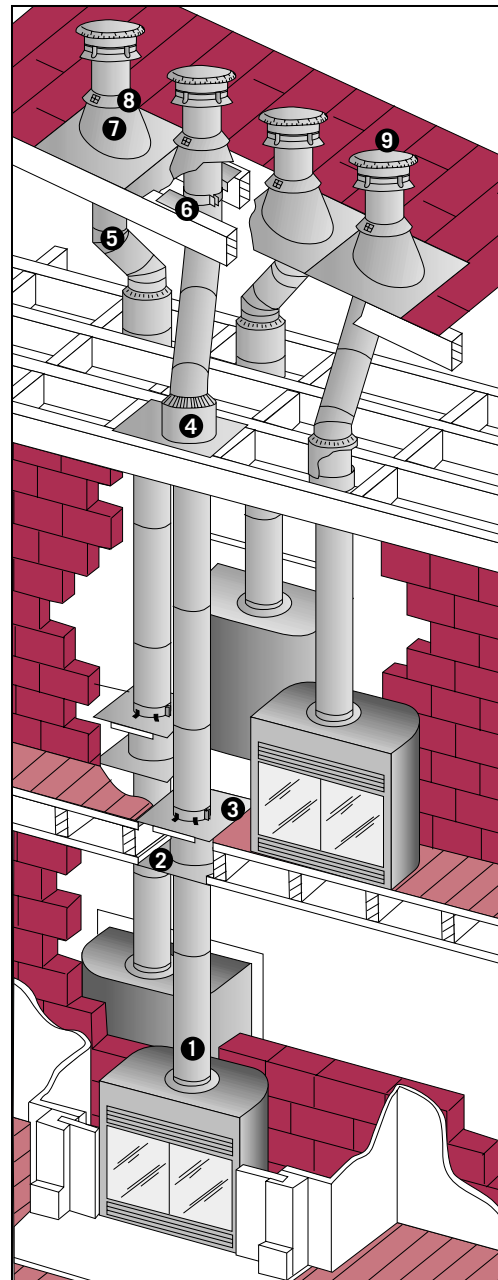
Security Chimneys International's Secure Temp™ ASHT+ factory-built, high-quality chimneys have been designed for ease of installation and maximum safety in many applications, featuring our fast and easy Twist-Lock assembly system. No other part is required to ensure the stability of the installation. See how simple typical installations are in the following diagrams.

**Installation of a Secure Temp™ ASHT+ high-temperature chimney to a fireplace with an offset and through an exterior insulated chase.**



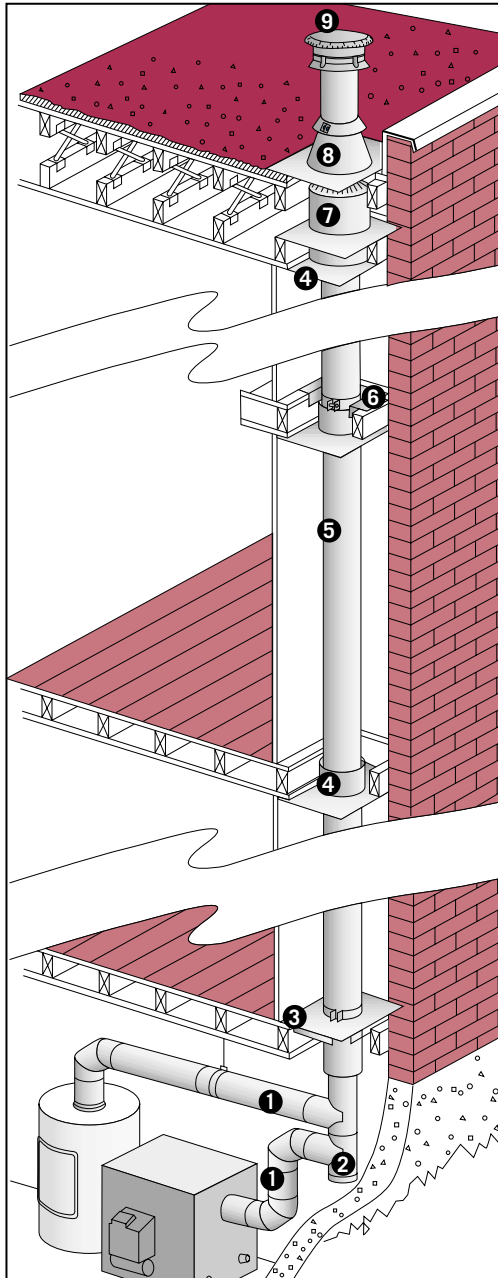
1. Insulated elbow
2. Insulated wall radiation shield
3. Insulated length
4. Universal offset support
5. Insulated attic radiation shield
6. Adjustable roof flashing with storm collar
7. Rain cap
8. Firestop

**Interior installation of a Secure Temp™ ASHT+ high-temperature chimney in condominiums with several fireplaces.**



1. Insulated length
2. Firestop
3. Floor support
4. Insulated attic radiation shield
5. Insulated elbow
6. Universal roof support
7. Adjustable roof flashing
8. Storm collar
9. Rain cap

**Interior installation of a Secure Temp™ ASHT+ chimney to a residential furnace and water heater.**

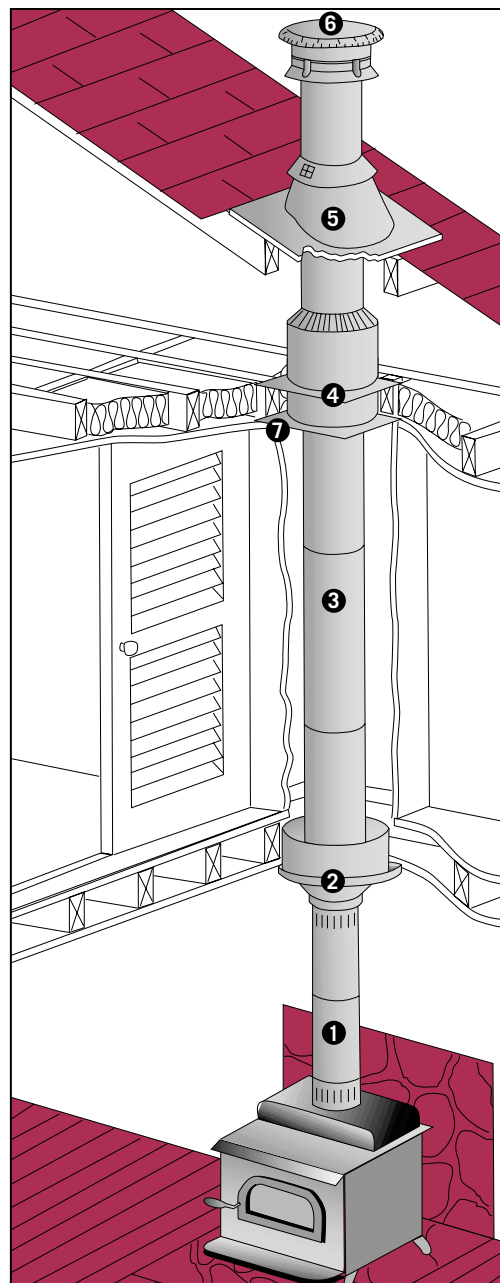
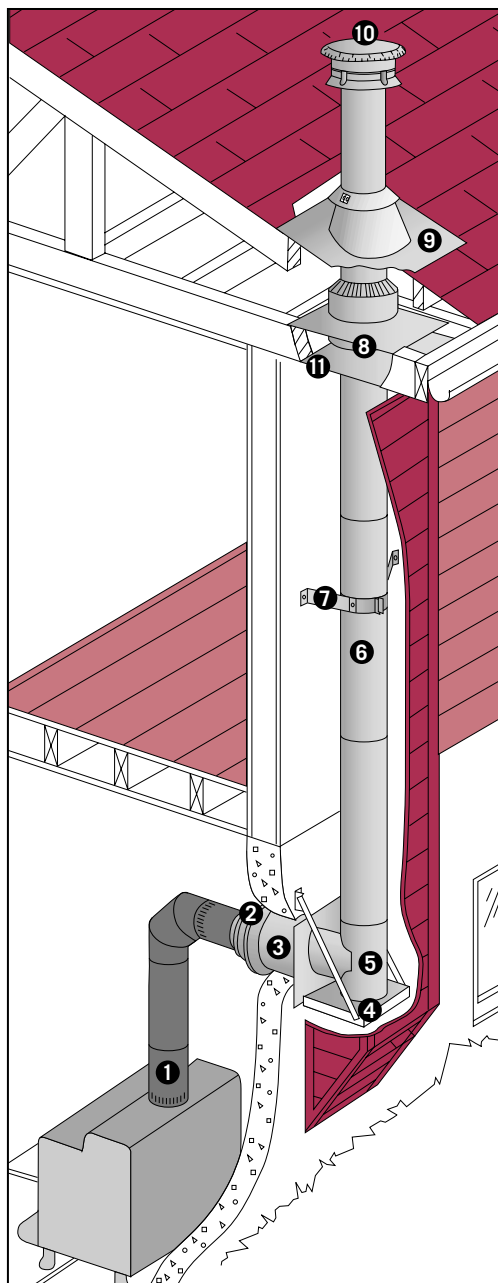


1. Connector
2. Base tee for twin connections
3. Floor support (or base support)
4. Firestop
5. Insulated length
6. Universal roof support
7. Insulated attic radiation shield
8. Flat roof flashing and storm collar
9. Rain cap

Over the years, the Secure Temp™ ASHT+ high-temperature chimney has become the chimney system most widely recommended by municipal fire departments. Its design and insulation have made it one of the safest chimney systems on the market today.

**Exterior installation of a Secure Temp™ ASHT+ high-temperature chimney to a wood stove.**

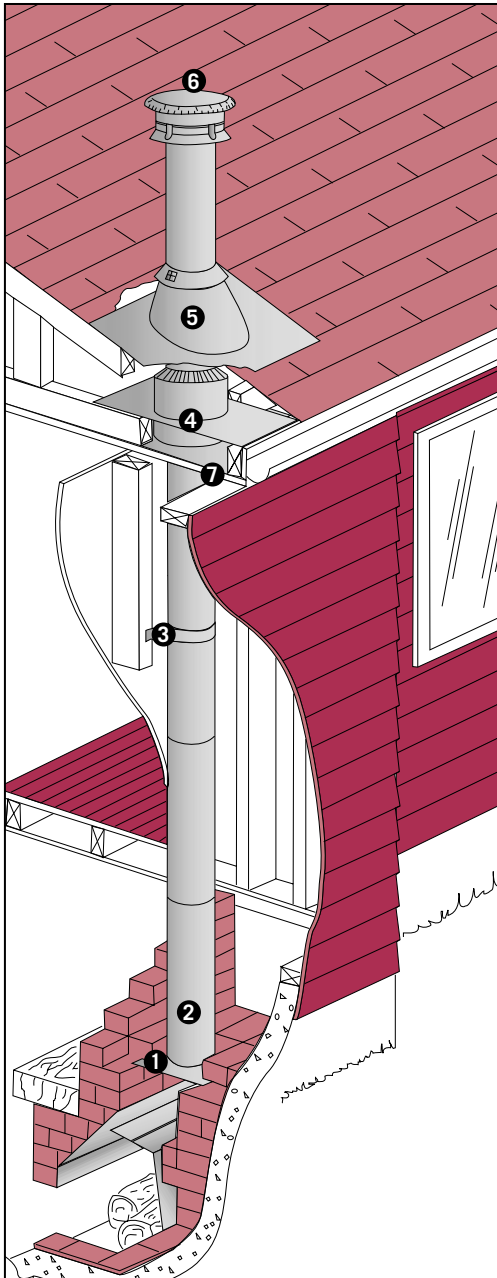
**Interior installation of a Secure Temp™ ASHT+ high-temperature chimney on a wood stove using a finishing support.**



1. Black stove pipe
2. Finishing cone
3. Insulated wall radiation shield
4. Wall support
5. Insulated tee
6. Insulated length
7. Universal wall band
8. Insulated attic radiation shield
9. Adjustable roof flashing with storm collar
10. Rain cap
11. Firestop

1. Black stove pipe
2. Finishing support
3. Insulated length
4. Insulated attic radiation shield
5. Adjustable roof flashing with storm collar
6. Rain cap
7. Firestop

**Secure Temp™ ASHT+ chimney  
installed on a masonry fireplace.**



1. Anchor plate
2. Insulated length
3. Universal wall band
4. Insulated attic radiation shield
5. Adjustable roof flashing with storm collar
6. Rain cap
7. Firestop

**Coding logic**

This document contains a description of each of the parts for the SecureTemp™ ASHT+ and S-2100+ systems, as well as their respective application. Each part has a reference letter which identifies the product.

The following examples of our coding system should make it easier for you to identify or order them.

**Insulated Lengths**

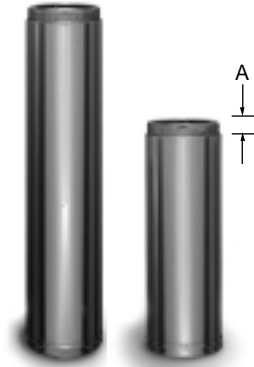
**ASHT+:**

5 diameters and 6 standard effective lengths featuring a 1/8 turn Twist-Lock assembly.

**S-2100+:**

3 diameters and 5 standard effective lengths featuring a 1/8 turn Twist-Lock assembly.

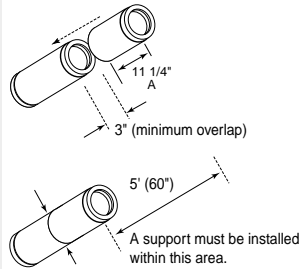
Various lengths may be combined to obtain the required installation height.



**Adjustable length 12"**

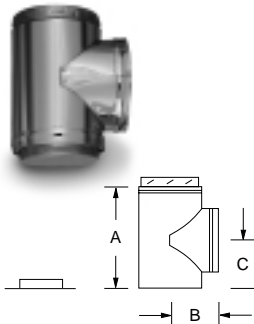
Used in combination with a straight insulated length, the adjustable length makes it possible to fit a SecureTemp™ ASHT+ length perfectly.

**IMPORTANT:** The adjustable length is not designed as a loadbearing component. It's vertical installation requires an appropriate support.



**Insulated Tee**

Located at the base of the chimney, it allows the horizontal connection of the chimney to the appliance and provides access for inspection and cleaning. An insulated tee cap (TCS+) included, must be used with wall support.



**Insulated Tee Cap**

Equipped with a Twist-Lock system, it makes it possible to seal the base of an insulated tee. Its insulation also prevents the cooling of chimney gases, especially in exterior installations. Must be combined with an adjustable wall support only. Removable, it provides easy access for chimney maintenance or inspection.



**Drain Tee Cap**

Fitted at the base of an insulated tee, it makes it possible to collect and drain rain water and condensates. The Drain Tee Cap connects to a drain (Ø 1 1/2 NPT). Removable, it provides easy access for chimney maintenance or inspection. Must be combined with an adjustable wall support only.



**SecureTemp™ ASHT+**

	6L36+	6FA+
Size	6 Interior diameter	6 Interior diameter
Reference	L Insulated length	F Flashing
Specificity	36 Insulated 36" length	A Adjustable

**Ref. L+**

	5	6	7	8	10
Ø int.	5	6	7	8	10
Ø ext.	7	8	9	10	12
8		•	•	•	•
12	•	•	•	•	•
18		•	•	•	•
24	•	•	•	•	•
36	•	•	•	•	•
48	•	•	•	•	•
Lbs./ft.	4.1	5.2	6.4	7.2	8.9
A	1 3/16	1 3/16	1 3/16	1 3/16	1 3/16

**Ref. LA+**

	5	6	7	8	10
Ø ext.	5	6	7	8	10
A	•	•	•	•	•

**Ref. TI+**

	5	6	7	8	10
Ø int.	5	6	7	8	10
Ø ext.	7	8	9	10	12
A	9 1/2	10 3/4	11 3/4	13	15
B	4 3/4	5 1/4	5 3/4	6 1/4	7 1/4
C	5 1/2	6	6 1/2	7 1/4	8 1/4

**Ref. TCI**

	5	6	7	8	10
Ø int.	5	6	7	8	10

**Ref. TCP**

	6	7	8	10
Ø int.	6	7	8	10

**SecureTemp™ S-2100+**

	6XL36+	6XRSMI30
Size	6 Interior diameter	6 Interior diameter
Reference	XL Insulated length	XRS Radiation shield
Specificity	36 36" length	MI Wall insulated
		30 30° angle

**Ref. XL+**

	6	7	8
Ø int.	6	7	8
Ø ext.	10	11	12
8	•	•	•
12	•	•	•
18	•	•	•
24	•	•	•
36	•	•	•
48	•	•	•
Lbs./ft.	8.9	9.9	10.9
A	1"	1"	1"

**Ref. XTI+**

	6	7	8
Ø int.	6	7	8
Ø ext.	10	11	12
A	13 1/4	13 3/4	14 13/16
B	7	7 1/2	8
C	7	7 1/4	8

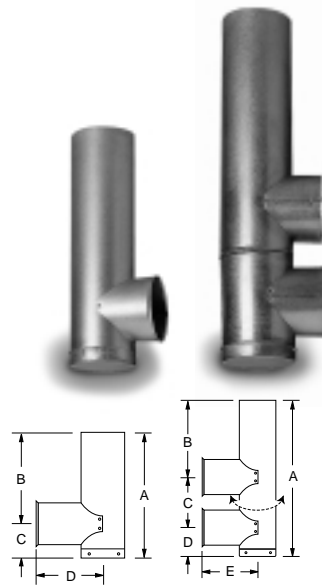
**Ref. XTCI**

	6	7	8
Ø int.	6	7	8

Secure Temp™ ASHT+

Ref. TB/TBD				
Ø int.	6	7	8	10
A (TB)	23	24	25	27
A (TBD)	31	33	35	39
B	18	18½	19	20
C	5	5½	6	7
D	5½	6	6½	7½
E	8	9	10	12

Secure Temp™ S-2100+



Base Tee

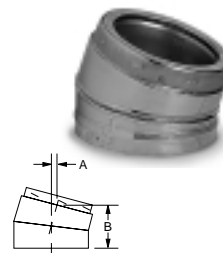
Located at the base of the chimney, it makes it possible to connect the chimney to the appliance (Type A application, ULC-S604 only). It is recommended for interior installation only and must be attached to a flue extension. The Base Tee comes with a tee cap providing access for inspection and cleaning. Available in galvanized steel.

Base Tee for Twin Connections (TBD)

This component makes it possible to connect two appliances, such as a furnace and a water heater to the SecureTemp™ ASHT+ chimney (Type A application, ULC-S604 only). The galvanized steel base tee for twin connections comes with a tee cap providing access for inspection and cleaning.

Ref. E15+					
Ø int.	5	6	7	8	10
Ø ext.	7	8	9	10	12
A	½	½	½	½	½
B	4 ½	4 ½	4 ½	4 ½	4 ½

Ref. XE15+			
Ø int.	6	7	8
Ø ext.	10	11	12
A	⅝	⅝	⅝
B	4 ¾	4 ¾	4 ¾



15° Insulated Elbow

Allows the 15° offset of a chimney. Designed to by-pass an obstacle, such as a joist. A maximum of two offsets (4 elbows) is allowed. The minimum recommended height for an installation with a 15° offset is 10 feet.

Ref. E30+					
Ø int.	5	6	7	8	10
Ø ext.	7	8	9	10	12
A	2	2	2	2	2
B	7 ½	7 ½	7 ½	7 ½	7 ½

Ref. XE30+			
Ø int.	6	7	8
Ø ext.	10	11	12
A	1 15/16	1 15/16	1 15/16
B	7 5/16	7 5/16	7 5/16

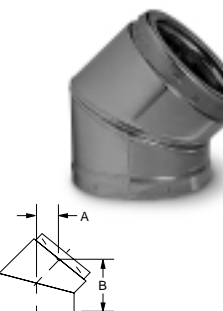


30° Insulated Elbow

Allows the 30° offset of a chimney. Designed to by-pass an obstacle, such as a joist. A maximum of two offsets (4 elbows) is allowed. The chimney's angle of inclination must not deviate more than 30° from the vertical position. The minimum recommended height for an installation with a 30° offset is 15 feet.

Ref. E45+					
Ø int.	5	6	7	8	10
Ø ext.	7	8	9	10	12
A	3	3	3	3	3
B	6 7/8	6 7/8	6 7/8	6 7/8	6 7/8

Ref. XE45+			
Ø int.	6	7	8
Ø ext.	10	11	12
A	1 15/16	1 15/16	1 15/16
B	7 5/16	7 5/16	7 5/16



45° Insulated Elbow

Allows the 45° offset of a chimney. Designed to by-pass an obstacle, such as a joist. A maximum of two offsets (4 elbows) is allowed. The chimney's angle of inclination must not deviate more than 45° from the vertical position. The minimum recommended height for an installation with a 45° offset is 20 feet.

Ref. S2				
Ø int.	5	6	7	8
A	4 3/8	14 3/8	14 3/8	14 3/8
B	5	6 ¼	7 ½	8 ¼
C	20	20	20	20
D	5 ½	5 ½	5 ½	5 ½
E	3	3	3	3

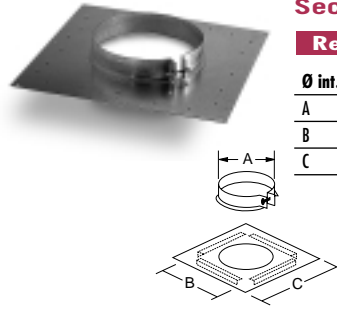


Base Support

This part supports the chimney from a floor or ceiling joist. It includes a radiation shield that makes it possible to maintain a 2-inch clearance between the chimney's outer casing and combustible materials in its path. The base support is attached to a frame from the joists (Refer to charts for loadbearing capacity and frame sizes).

**Floor Support**

This part supports the chimney on a slab, floor or joist. It makes it possible to maintain a minimum 2-inch clearance between the chimney's outer casing and combustible materials in its path. A tightening collar locked around the chimney and secured by self-taping screws (supplied) rests on a horizontal plate screwed or nailed to the floor or slab which can serve as an intermediate support.  
(Refer to charts for Loadbearing Capacity).



**Secure Temp™ ASHT+**

Ref. SD					
Ø int.	5	6	7	8	10
A	7	8	9	10	12
B	11	12	13	14	16
C	16	16	16	18	18

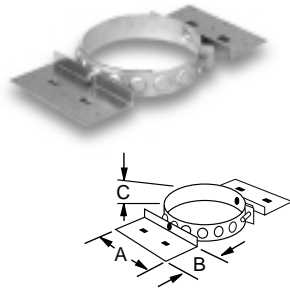
**Secure Temp™ S-2100+**

**Universal Roof Support**

This complementary support is usually attached to a roof structure. It is designed to support the chimney:

- from the roof, adjusting to any roof pitch
- above an offset
- when the chimney height exceeds the load bearing capacity of the primary support

Two adjustable plates screwed to the structure adapt to the pitch of the roof. A tightening collar attached around the chimney is supplied.  
(Refer to the chart for Loadbearing Capacity).

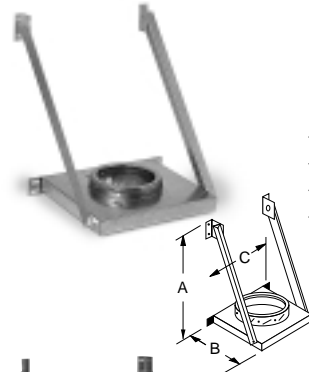


Ref. ST+				
Fits 5, 6, 7 and 8" - ASHT+				
Ø int.	5	6	7	8
A	8	8	8	8
B	4	4	4	4
C	2	2	2	2

Ref. XST+				
Fits 6, 7 and 8" - S2100+ and 10" - ASHT+				
Ø int.	6	7	8	10
A	8	8	8	8
B	4	4	4	4
C	2	2	2	2

**Wall Support / Adjustable Wall Support**

This part supports the chimney at the base of the installation. It is designed with a male coupler to accommodate the first section of the chimney. This base support is made of galvanized steel and must be installed with the insulated tee cap included with the tee. The adjustable wall support (XSMA) allows a 2" to 7" lateral adjustment to the vertical surface.  
(Refer to the chart for Loadbearing Capacity).

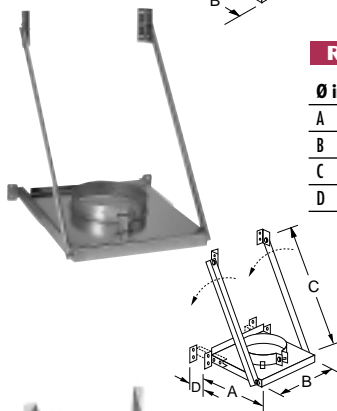


Ref. SM				
Ø int.	6	7	8	10
A	19	19	19	16
B	13	13	13	16
C	16	16	16	16

Ref. XSM/XSMA			
Ø int.	6	7	8
A	18	18	18
B	14 1/2	16	16
C	16	16	16

**Adjustable Wall Support**

This part supports the chimney at the base of the installation, or along a wall or other vertical surface serving as an intermediate support. It comes with a tightening collar locked around the chimney and secured by two self-taping screws (supplied). The collar rests on a horizontal plate. The support allows a 2 to 6 inch lateral adjustment to the vertical surface. When used as a base support, it lends itself to the addition of an insulated tee cap or drain tee cap. Available in galvanized steel.  
(Refer to chart for Loadbearing Capacity).

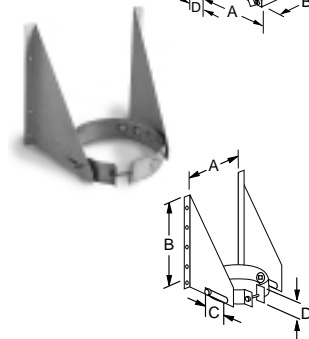


Ref. SME					
Ø int.	5	6	7	8	10
A	13	13	13	13	16
B	16	16	16	16	16
C	26 3/4	26 3/4	26 3/4	26 3/4	26 3/4
D	0 to 5	0 to 5	0 to 5	0 to 5	0 to 5

Ref. XSME			
Ø int.	6	7	8
A	15 1/2	15 1/2	15 1/2
B	15	15	15
C	26 3/4	26 3/4	26 3/4
D	0 to 5	0 to 5	0 to 5

**Universal Offset/Wall Support**

This part is designed to support the chimney above the offset on a vertical wall. The triangular plates allows a 2 to 4 inch lateral adjustment of the support to the vertical surface. This support can also be used as a wall support. When used as a wall support, it lends itself to the addition of an insulated tee cap or drain tee cap.  
(Refer to charts for Loadbearing Capacity).



Ref. SO+				
Fits 5, 6, 7 and 8" - ASHT+				
Ø int.	5	6	7	8
A	8 1/2	9 1/2	10 1/2	11 1/2
B	12	12	12	12
C	2 3/4	2 3/4	2 3/4	2 3/4
D	2	2	2	2

Ref. XSO+				
Fits 6, 7 and 8" S-2100 and 10" - ASHT+				
Ø int.	6	7	8	10
A	11 1/2	12 1/2	13 1/2	13 1/2
B	12	12	12	12
C	2 3/4	2 3/4	2 3/4	2 3/4
D	2	2	2	2

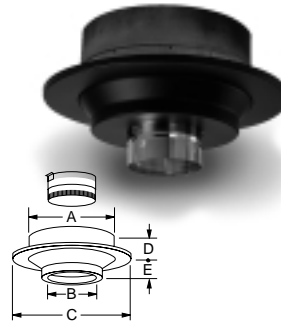


Secure Temp™ ASHT+

Secure Temp™ S-2100+

Ref. XSF

Ø int.	6	7	8
A	14 3/8	14 3/8	14 3/8
B	6 1/4	7 1/2	8 1/4
C	20	20	20
D	5 1/2	5 1/2	5 1/2
E	3	3	3



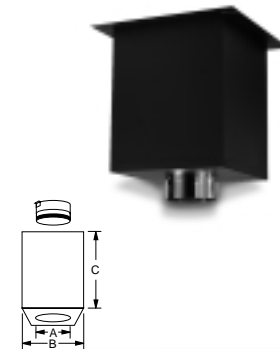
Ref. XSC

Ø int.	6	7	8
A	14 3/8	14 3/8	14 3/8
B	6 1/4	7 1/4	8 1/4
C	3	3	3
D	13	13	13



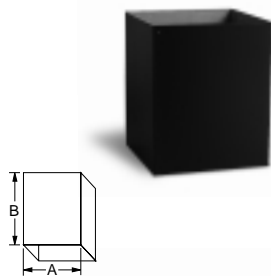
Ref. XSS

Ø int.	6	7	8
A	6 1/4	7 1/4	8 1/4
B	14 3/8	14 3/8	14 3/8
C	17	17	17



Ref. PS

A	14 3/8
B	17



Finishing Support

This part supports the chimney from a ceiling. Designed to connect the black stove pipe using the flue extension (included), it is enhanced by a decorative black matte finish. It must be attached to a frame built from the joists. A ring of insulation (included) must be inserted into the female end of the chimney's first section. (Refer to charts for Size of Openings and Loadbearing Capacity).

Cathedral Support

This part supports the chimney from a cathedral ceiling. Designed to connect the black stove pipe using the flue extension (included), it comes with a decorative trim collar in a black matte finish and must be attached to a frame built from the joists. A ring of insulation (included) must be inserted into the female end of the chimney's first section. (Refer to charts for Size of Openings and Loadbearing Capacity).

Square Cathedral Support

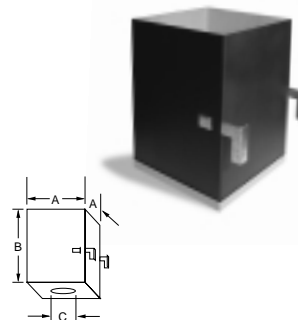
This support has the same features as the cathedral support with black matte finish. It comes with a flue extension. (Refer to charts for Size of Openings and Loadbearing Capacity).

Square Support Extension

This part is designed to extend the finish of the cathedral support when the pitch of the roof is quite steep. It must be attached to the square cathedral support. It fits all diameters of the square cathedral support.

Adjustable Square Support, Black w/Framing Arms

This 12 inch support can be installed between 16 inches on centre with 2 1/2 inch free play to eliminate the need for elbows. No framing is required and comes with a flue extension (UP), and a decorative brass collar.

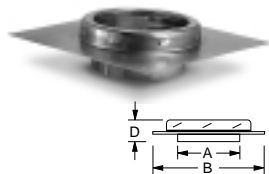


Ref. SSA

Ø int.	5	6
A	12	12
B	17	17
C	5	6

**Anchor Plate**

This part is attached to a masonry (S-2100+) or metal-casing fireplace to provide a proper connection to the chimney. It can also serve to connect a furnace.



**SecureTemp™ ASHT+**

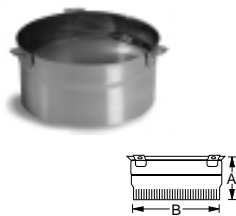
Ref. SP					
Ø int.	5	6	7	8	10
A	5	6	7	8	10
B	12	12	12	12	14
C	2	2	2	2	2
D	3	3	3	3	3

**SecureTemp™ s-2100+**

Ref. XSP			
Ø int.	6	7	8
A	6	7	8
B	14	14	14
C	2	2	2
D	3	3	3

**Flue Extension**

Fitted to the base of the first chimney length, this component makes it possible to extend the inner casing, thereby facilitating the attachment of a connector or base tee, or when connecting directly to the appliance outlet, and for the SecureTemp™ s-2100+, of a single or double-wall stove pipe. The crimped end of this component is slightly tapered for easier assembly. Included with finish support, cathedral support and square support.



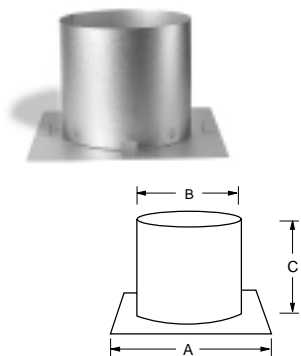
Ref. UP					
Ø int.	5	6	7	8	10
A	3	3	3	3	3
B	5	6	7	8	10

Ref. UP					
Ø int.	5	6	7	8	10
A	3	3	3	3	3
B	5	6	7	8	10

**Radiation Shield**

Protects combustible materials when the chimney passes through a floor or an intermediate ceiling. It ensures a 2-inch safety clearance between the chimney's outer casing and surrounding combustibles.

When passing through a ceiling to an attic, it must be installed from the underside of the ceiling. Also, in keeping with its certification (ULC-S610), it must be combined with an attic radiation shield when required to vent a wood-burning fireplace.



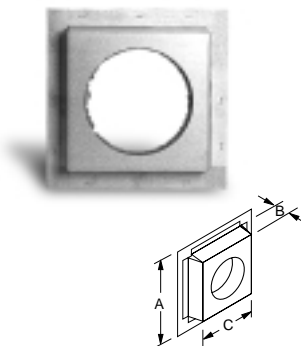
Ref. RS+					
Ø int.	5	6	7	8	10
A		16	16	16	18
B		11	12	13	15
C		10	10	10	10

Ref. XRS+			
Ø int.	6	7	8
A	16	18	18
B	13	14	15
C	10	10	10

**Insulated Radiation Shield**

Designed for use with wood-burning fireplaces, such as the line of Security Fireplaces and other units certified for use with the SecureTemp™ ASHT+ and s-2100+ chimneys, it should be used where the chimney passes through a ceiling or exterior opening where insulation is required.

It must be used in combination with an attic radiation shield when passing through an attic. Recommended for use in cold regions.

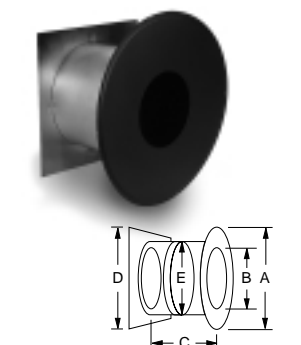


Ref. RSI			
Ø int.	7	8	10
A		16	18
B		3	3
C		13	15

Ref. XRSI		
Ø int.	7	8
A	18	18
B	3	3
C	14	14

**Insulated Wall Radiation Shield**

Designed to protect surrounding combustible materials when a chimney crosses through a wall horizontally, this shield can be adjusted from 7 to 12 1/2 inches to adapt to the thickness of the wall opening. A decorative plate painted in matte black provides an interior finish.



Ref. RSM+					
Ø int.	5	6	7	8	10
A	20	20	20	20	
B	7 1/4	8 1/4	9 1/4	10 1/4	
C	← 7 to 12 1/2 →				
D	14	16	16	16	18
E	11	12	13	14	16

Ref. XRSM+			
Ø int.	6	7	8
A	20	20	20
B	12 3/8	13 3/8	14 3/8
C	← 7 to 12 1/2 →		
D	16	16	18
E	14	15	16

Secure Temp™ ASHT+

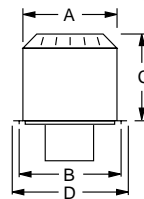
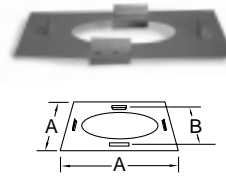
Ref. BF+					
Ø int.	5	6	7	8	10
A	14	16	16	16	18
B	11	12	13	14	16

Ref. RSA+					
Ø int.	5	6	7	8	10
A	11	12	13	14	16
B	11	12	13	14	16
C	12	12	12	12	12
D	16	16	16	16	18

Secure Temp™ s-2100+

Ref. XBF+					
Ø int.	5	6	7	8	10
A	16		18		18
B	14		15		16

Ref. XRSA+			
Ø int.	6	7	8
A	14	15	16
B	14	15	16
C	12	12	12
D	16	18	18



Firestop

Designed for use with a radiation shield, it provides additional protection when the chimney passes through combustible materials.

Insulated Attic Radiation Shield

This cone-shaped component can be used when the chimney venting a furnace passes through a floor or ceiling. It prevents insulation from seeping between the chimney's outer casing and the firestop while maintaining a 2-inch safety clearance from surrounding combustible materials.

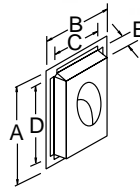
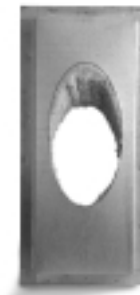
It must be used when a chimney passes through an attic. It is imperative that it be installed overside, from the attic, and combined with the firestop, or the radiation shield when used with the line of Security Fireplace units and other fireplaces that are certified for use with the SecureTemp™ ASHT+ high-temperature chimney.

Ref. RSMI30				
Ø int.	7	8	10	
A	37 3/4	39 3/4	45 5/16	
B	16 5/8	17 5/8	19 3/8	
C	12 5/8	13 5/8	15 3/8	
D	33 3/4	35 3/4	39 1/4	
E	3	3	3	

Ref. RSMI45				
Ø int.	7	8	10	
A	26 5/8	28	30 1/2	
B	16 5/8	17 5/8	19 3/8	
C	12 1/8	13 1/2	14 7/8	
D	22 1/8	23 1/2	26	
E	3	3	3	

Ref. XRSMI30			
Ø int.	7	8	
A	41 1/4	43 5/16	
B	18 3/8	19 3/8	
C	18 3/8	38 13/16	
D	13 7/8	14 7/8	
E	3	3	

Ref. XRSMI45			
Ø int.	7	8	
A	41 1/4	43 5/16	
B	18 3/8	19 3/8	
C	36 3/4	38 13/16	
D	13 7/8	14 7/8	
E	3	3	



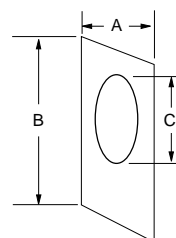
Insulated Wall Radiation Shield 30° and 45°

These parts are to be used only with wood-burning fireplaces in the Security Fireplace line, and others which have been certified for use with the chimney. It has been designed for use when the chimney passes through a wall at a 30° or 45° angle.

Ref. RSM30				
Ø int.	6	7	8	10
A	15 5/8	16 5/8	17 5/8	19 3/8
B	35 1/4	37 3/4	39 3/4	43 5/16
C	13 5/16	14 9/16	15 1/16	17 3/8

Ref. RSM45				
Ø int.	6	7	8	10
A	15 5/8	16 5/8	17 5/8	19 5/8
B	24 7/8	26 5/8	28	30 1/2
C	9 15/16	10 13/16	11 1/2	12 3/4

Ref. XRSM30			
Ø int.	6	7	8
A	17 3/8	18 3/8	19 3/8
B	39 1/4	41 1/4	43 5/16
C	15 5/16	16 5/16	17 1/16

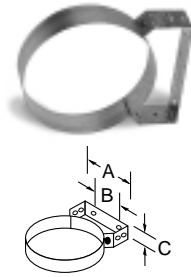


Angled Firestop 30° and 45°

These angled firestops are to be used only with wood-burning fireplaces in the Security Fireplace line and others which have been certified for use with the chimney.

**Reinforced Wall Band**

Intended primarily to stabilize a chimney along an exterior wall in areas subject to high winds, it ensures a 2-inch clearance between the outer casing of the chimney and the wall. The use of these bands at 10-foot intervals is recommended.



**Secure Temp™ ASHT+**

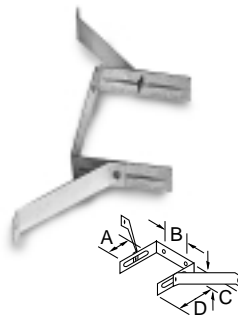
Ref. BME				
Ø int.	6	7	8	10
A	7	8	8 5/8	10
B	5 3/16	6 1/16	6 3/4	8 3/16
C	2	2	2	2

**Secure Temp™ S-2100+**

Ref. XBME				
Ø int.	6	7	8	
A	8 5/8	9 3/16	10	
B	6 3/4	7 5/16	8 3/16	
C	2	2	2	

**Wall Band Extension**

When used in combination with a reinforced wall band, it extends the clearance between the chimney's outer casing and the wall from 2 to 5 inches.

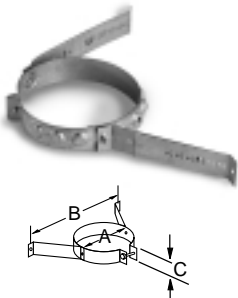


Ref. BEE				
Ø int.	6	7	8	10
A	4 1/2	4 1/2	4 1/2	4 1/2
B	5 3/16	6 1/16	6 3/4	8 3/16
C	2	2	2	2
D	5 1/2	5 1/2	5 1/2	5 1/2

Ref. XBEE				
Ø int.	6	7	8	
A	3	3	3	
B	7 1/4	7 13/16	8 11/16	
C	2	2	2	
D	5 1/2	5 1/2	5 1/2	

**Universal Wall Band**

Designed for use on an interior or exterior wall, it serves to stabilize the chimney while providing the required clearance from the combustible surface. The use of wall bands at maximum intervals of 8 feet is recommended.

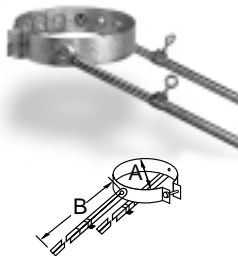


Ref. BM+				
Fits 5, 6, 7 and 8" - ASHT+				
Ø int.	5	6	7	8
A	7	8	9	10
B	19	21	23	25
C	2	2	2	2

Ref. XBM+				
Fits 6, 7 and 8" S2100+ and 10" ASHT+				
Ø int.	6	7	8	10
A	10	11	12	12
B	25	27	29	29
C	2	2	2	2

**Universal Roof Brace**

Designed to stabilize a chimney extending from 60 to 115 inches beyond the roof, or when a chimney is exposed to high winds, this part is supplied with tightening collar and adjustable legs.

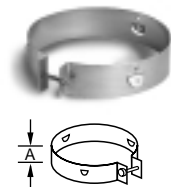


Ref. BS2+				
Fits 5, 6, 7 and 8" - ASHT+				
Ø int.	5	6	7	8
A	7	8	9	10
B	← 60 to 115 →			

Ref. XBS2+				
Fits 6, 7 et 8" S2100 and 10" ASHT+				
Ø int.	6	7	8	10
A	10	11	12	12
B	← 60 to 115 →			

**Guy-Wire Band**

Attached to the outer casing of the chimney (secured by bolts), it is designed to hold 3 guy-wires. It is recommended for chimneys exceeding the roof by 5 to 13 feet maximum. Wire not included.



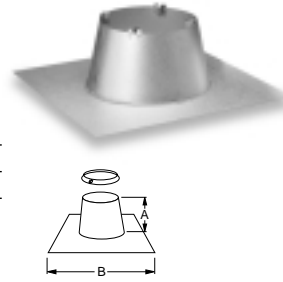
Ref. BH				
Ø int.	6	7	8	10
A	2	2	2	2

Secure Temp™ ASHT+

Ref. F+					
Ø int.	5	6	7	8	10
A	7 1/2	7 1/2	7 1/2	7 1/2	7 1/2
B	20	24	24	24	24

Secure Temp™ S-2100+

Ref. XF			
Ø int.	6	7	8
A	7 1/2	7 1/2	7 1/2
B	24	24	24

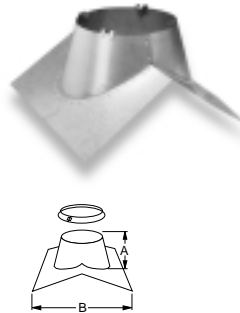


Flat Roof Flashing

This component seals a chimney length protruding from a flat roof and comes complete with a storm collar.

Ref. FP+/FPB+					
Ø int.	6	7	8	10	
<b>Ref. FP+</b>					
A	3 3/8	3 3/8	3 3/8	3 3/8	
B	12	13	13 1/2	15	
<b>Ref. FPB+</b>					
A	5	4	3 1/4	1 1/2	
B	14	14	14	14	

Ref. XFP+/XFPB+			
Ø int.	6	7	8
<b>Ref. XFP+</b>			
A	3 3/8	3 3/8	3 3/8
B	13 1/2	14	15
<b>Ref. XFPB+</b>			
A	3 1/2	3 1/2	3 1/2
B	14	14	14



Peak Roof Flashing

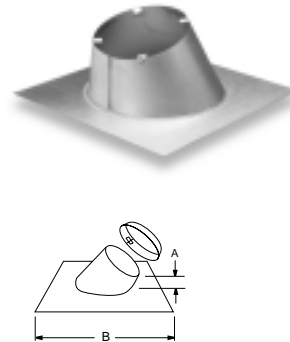
This component is required for chimney installations passing through the roof peak.

It is available in two models:

- Peak roof: 1/12 to 7/12 FP+/XFP+
- Peak roof: 8/12 to 12/12 FPB+/XFPB+

Ref. FA+/FB+/FBB+					
Ø int.	5	6	7	8	10
<b>Ref. FA+</b>					
A	6	6	6	6	6
B	24	24	24	24	28
<b>Ref. FB+</b>					
A	6	6	6 3/8	6 7/8	6 7/8
B	24	24	24	30	
<b>Ref. FBB+</b>					
A	6 1/4	6 1/4	6 1/4	6 1/4	
B	36	36	36	42	
<b>Ref. FAA+</b>					
A	6	6	6		
B	36	36	36		
<b>Ref. FBA+</b>					
A	6	6 3/8	6 7/8		
B	36	36	36		

Ref. XFA+/XFB+/XBB+			
Ø int.	6	7	8
<b>Ref. XFA+</b>			
A	6	6	6
B	24	24	28
<b>Ref. XFB+</b>			
A	3 7/8	3 7/8	4 1/2
B	24	24	30
<b>Ref. XFBB+</b>			
A	6 1/4	6 1/4	6 1/4
B	36	40	42



Adjustable Roof Flashing

Secure Temp™ ASHT+ This part is required to accommodate sloped roof installations.

Available in five versions to adapt to the needs of the following roof slopes:

- 1/12 and 7/12 pitch: FA+
- 8/12 and 12/12 pitch: FB+
- 12/12 and 21/12 pitch: FBB+

Also available in aluminum malleable base plate in 6, 7 and 8 inches. I.D. (Ref: FAA+, FBA+)

(Secure Temp™ ASHT+ only)

Secure Temp™ S-2100+

This part is required to accommodate sloped roof installations. It comes with a storm collar.

Three models are available to adapt to the needs of the following roof slopes:

- 1/12 to 7/12 pitch: XFA+
- 8/12 to 12/12 pitch: XFB+
- 12/12 to 21/12 pitch: XFBB+

Ref. FC+					
Ø int.	5	6	7	8	10
A	5	5	5	5	5

Ref. XFC+			
Ø int.	6	7	8
A	5	5	5



Storm Collar

Designed to fit over flashings, it provides a watertight seal. It is automatically supplied with roof flashings.

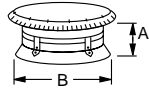
**Rain Cap**

Attached to the top of the chimney, it effectively prevents rain, snow or leaves from entering the opening. Universal to SecureTemp™ ASHT+ and S-2100+.



**SecureTemp™ ASHT+**

Ref. CC+					
Ø int.	5	6	7	8	10
A	4 3/4	4 3/4	4 3/4	4 3/4	4 3/4
B	15	15	15	15	15

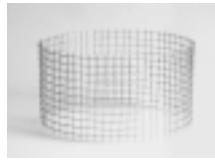


**SecureTemp™ S-2100+**

Ref. CC+					
Ø int.	5	6	7	8	10
A	4 3/4	4 3/4	4 3/4	4 3/4	4 3/4
B	15	15	15	15	15

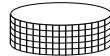
**Spark Arrester Band**

This spark arrester band is wrapped around the rain cap, preventing sparks from falling on the roof.



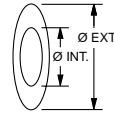
Ref. PE+	
Universal to SecureTemp™ ASHT+ and S-2100+ termination cap, fits all diameters	

Ref. PE+	
Universal to SecureTemp™ ASHT+ and S-2100+ termination cap, fits all diameters	



**Trim Collar**

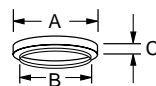
The use of this trim collar provides a flawless finish when a chimney must pass through a ceiling or non-combustible wall.



Ref. XPF			
Ø int.	6	7	8
A	20	20	20
B	10	11	12

**Decorative Collar**

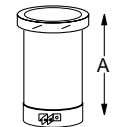
This component provides a finish between the SecureTemp™ ASHT+ chimney's female coupler and the appliance connector.



Ref. XPB			
Ø int.	6	7	8
A	10	11	12
B	6	7	8
C	1	1	1

**Black Pipe Adaptor**

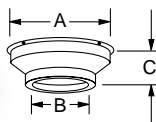
This component is recommended for connecting a standard black pipe to the SecureTemp™ ASHT+ chimney when a longer extension length is required. A finishing collar is supplied.



Ref. XPA			
Ø int.	6	7	8
A	12	12	12

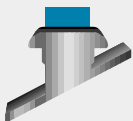
**Finishing Cone**

Used when the chimney passes through an exterior wall, a finishing cone may be necessary. It is designed to conceal the protrusion of the insulated length (5 inches) inside, and makes it possible to respect the 6-inch clearance permitted by Security Chimney's Double-Wall Black Pipe. A flue extension must be used to ensure a perfect connection between the chimney and the stove connector.



Ref. PD			
Ø int.	6	7	8
A	14 3/8	14 3/8	14 3/8
B	6 1/4	7 1/4	8 1/4
C	5 1/2	5 1/2	5 1/2

Over the past 40 years,  
Security Chimneys  
International's dedication  
to engineering excellence  
has led to the development  
of a wide range of quality  
venting products as well  
as wood-burning fireplaces.



## SECURITY CHIMNEYS INTERNATIONAL

Security Chimneys International Ltd.  
2125 Monterey Street, Laval, Québec  
Canada, H7L 3T6

Tel.: (450) 973-9999  
Fax: (450) 973-2222



Printed in Canada  
ACASHT\*/S2100\*-1  
REV: 3 03-2003

## SL-VENT (Oil and Gas Vent)

---

- For use with oil-fired or gas-fired appliances.
- Listed to ULC-609 and UL-641.
- Available in 5, 6, 7 and 8 inch I.D..

## CI

---

- For residential, commercial and industrial applications on boilers using gas or liquid fuel with negative or positive pressure, and on high-pressure appliances with condensation.
- Available in various gauges of stainless steel, depending on specifications and intended use.
- Certified to ULC-S604, UL-103 "Residential" (12 to 18 in.) UL-103 "Industrial" (5 to 24 in.) and UL103HT (12 to 24 in.)
- Available in diameters of 5 to 24 inches.

## CG

---

- Compatible with all gas applications
- Certified to ULC-S605 and UL-441 standards.
- Available in diameters of 8 to 36 inches.

## CT

---

- For use in vertical tubing for masonry chimneys.
- For independent use on high-efficiency gas boilers with condensation, in vertical and/or horizontal, interior or exterior installations.
- Available in diameters of 5 to 24 inches.

## TUBINOX

---

- To reline an existing masonry chimney, or to substitute the clay liner in a new masonry chimney.
- Certified to ULC-S635M, UL-1777 and ULC-S640M standards.
- Available in diameters of 5 to 8 inches.

## SP VENT (for Pellet stoves)

---

- For use with pellet stoves.
- Certified to ULC-S609 and UL-641 standards.
- Available in diameters of 3 and 4 inches.

## SECURE VENT™

---

- Direct-vent system for free-standing gas stove and decorative gas fireplaces.

## DL (Double-Wall Black Stove Pipe)

---

- Double-wall black stove connector for use with wood-burning stove listed to UL-641.
- Available in diameters of 6, 7 and 8 inches.



- Complete line of decorative and high-efficiency wood-burning fireplaces.

Specifications are subject to change without prior notice.

**Distributed by:**

---