

Operating Instructions for The Nectre Bakers Oven

The Nectre Bakers Oven has the firebox at the top and the oven below. Heat is directed around the oven by closing the damper, located next to the flue outlet.

Before lighting your Bakers Oven ensure that the damper control is properly located so that it closes and swings open. The damper is open when the control lever is in the down position and closed in the up position. Also ensure that the steel inspection panel in the bottom of the oven is in place (not to be confused with the oven tray).

To light your cooker, first make sure that the damper is open and the air spindle control (the spindle control is opened and closed to control the rate of burn) on the firebox door is also open to its full extent. Light a fire using finely chopped wood and establish it so that it has plenty of flames. As soon as the fire is going briskly, close the damper. This directs the flames and flue gases down the sides and around the oven. Keep the fire burning briskly until the oven is up to temperature. NOTE: The temperature gauge on the oven door is only a guide to the temperature in the oven. We have found that when the gauge is reading around 100 degrees Celsius, the internal oven temperature is more like 180 degrees Celsius. It is a good idea to use a meat thermometer when cooking. To add more fuel to the fire, it is advisable to open the damper before opening the door. When the firebox is loaded, close the door and then close the damper. This will avoid having smoke coming into the room.

For cooking, always have a brisk fire using small pieces of wood that provide plenty of flames. This type of fire will maintain the oven temperature. For heating and longer burn time, larger pieces of wood can be used and the spindle control closed off. The oven temperature will drop when in this mode of operation.

Maintenance

The Bakers Oven requires little maintenance, however the flue and oven base should be periodically checked for soot/creosote build up that may require cleaning. Inside the oven is a removable base plate. This plate should be lifted off and any soot underneath it removed. You can also remove the hotplates on cooking surface of the Bakers Oven and scrape the sides of the oven. The glass on the firebox and oven door can be cleaned with steel wool and water. It is not advisable to use a cleaner that contains caustic, and abrasive cleaners.

A metal strip at the top of the firebox door can be adjusted in and out with the allen key provided. The strip should be set leaving a gap of about 1mm between the edge of the strip and the front of the Bakers Oven. This gap allows a small trickle of air to wash over the glass.

Nectre Bakers Oven 5 Year Warranty

Pecan Engineering Pty. Ltd. warrants this stove to be able to operate under normal use and service and within 5 years from date of the original purchase on the terms herein shall repair or replace without cost to the original customer any part thereof which shall be returned to our factory, transportation charges prepaid and which our inspection shows would prevent operation. This warranty does not apply to firebricks, brick retainer, baffle, door seal, glass nor discoloration of the surface or tarnishing of gold fittings all of which require normal service to maintain them.

Under the terms of this warranty, Pecan Engineering Pty. Ltd. assumes no responsibility for the labour costs involved in removing or replacing the stove. Nor shall Pecan Engineering Pty. Ltd. be liable for any injury, loss, or damage (direct, indirect or consequential) arising out of the use or inability to use the product, or its removal and replacement. All other stove warranties, expressed or implied are excluded to the extent possible at law. Consumers also have rights under relevant State and Commonwealth Laws.

The Retailer does not have the authority to alter this warranty.

For further information, contact:
Pecan Engineering Pty. Ltd.
13 Acorn Road, Dry Creek, S.A. 5094
Ph: (08) 8349 8474
Fax: (08) 8260 6643

Installation and Operating Instructions For The Nectre Bakers Oven

Save These Instructions

Please read this entire manual before you install and use your new room heater. Failure to follow instructions may result in property damage, bodily injury, or even death.

Safety Notices

When this room heater is not properly installed, a house fire may result. To reduce the risk of fire, follow the installation instructions. Contact local building, fire officials, or authority having jurisdiction about restrictions, permit and installation inspection requirements in your area.

DO NOT INSTALL IN A MOBILE HOME.

DO NOT USE CHEMICALS OR FLUIDS TO START THE FIRE.

DO NOT BURN GARBAGE OR FLAMMABLE FLUIDS SUCH AS GASOLINE, NAPHTHA OR ENGINE OIL.

HOT WHILE IN OPERATION. KEEP CHILDREN, CLOTHING AND FURNITURE AWAY. CONTACT MAY CAUSE SKIN BURNS.

INSTALLATION

Before installation

After **unpacking**, check that the following parts are included inside the firebox:

2 side baffles

Handle for air control

Lifter for cook plates

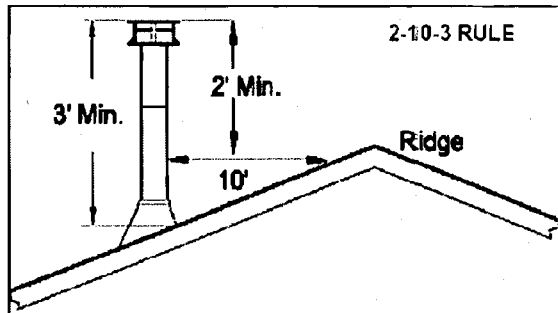
Allan key for adjustment of top air.

Assembling the Bakers Oven

The Bakers Oven comes fully assembled. In transit the side baffle plates could have shifted. Make sure that they are in place on each side of the firebox. The side baffles hang off the sides of the firebox. Also make sure that the firebricks at the back of the firbox are also in place and not shifted in transit.

Chimney Height

A masonry chimney or a listed factory-built chimney must be the required height above the roof and any other nearby obstructions. The chimney must be at least 3' (90 cm) higher than the highest point where it passes through the roof and at least 2' (60 cm) higher than the highest part of the roof or structure that is within 10' (305 cm) of the chimney, measured horizontally.



One of the main necessary precautions when installing a wood stove is to leave sufficient space between the stove (top, sides, back, front, and under stove pipes) and any other material that can catch fire.

If the stove is to be installed on a combustible floor, it must be placed on an approved 1" (25mm) non-combustible hearth pad with $k = 0.84 \text{ BTU/in ft}^2 \text{ hr } ^\circ\text{F}$. In the USA, the floor protector must extend 8" beyond each side of the flue loading door and 16" to the front. In Canada, the floor protector must extend 8" (200mm) beyond each side and the back of the appliance and 18" (450mm) to the front. (See fig. 4)

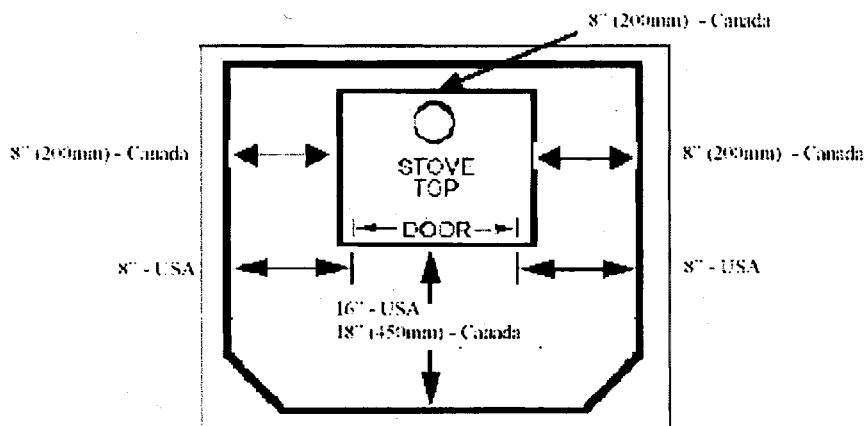


Fig 4

In a rear vent installation the floor protection must also extend under the stovepipe a minimum of 2" (50mm) beyond either side of the pipe.

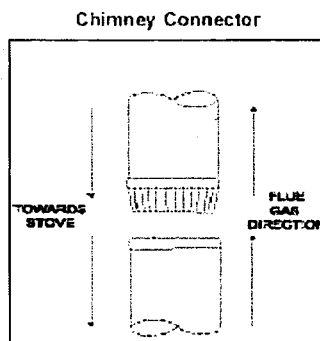
Chimney connection

The chimney connector is a single walled pipe used to connect the stove to the chimney. For use with the Bakers Oven the chimney connector **MUST** be 6" in diameter, with a minimum thickness of 24 gauge black steel or 26 gauge blued steel.

Aluminium and galvanized steel pipe is not acceptable for use with the Bakers Oven. These materials cannot withstand the extreme temperatures of a wood fire and can give off toxic fumes when heated.

Do not use the connector pipe as a chimney.

Each chimney connector or stovepipe section must be installed to the stove flue collar and to each other with the male (crimped) end toward the stove.



This prevents any amount of condensed or liquid creosote from running down the outside of the pipe or the stovetop. All joints, including the flue collar connection must be secured with three sheet metal screws to ensure that the sections do not separate.

For the best performance the chimney connector should be as short and direct as possible, with no more than two 90° elbows. The maximum horizontal run is 36" and a recommended total length of stovepipe should not exceed 10 feet. Always slope horizontal runs upward 1/4" per foot toward the chimney.

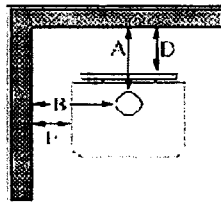
No part of the chimney connector may pass through an attic or roof space, closet or other concealed space, or through a floor ceiling. All sections of the chimney connectors must be accessible for cleaning. Where passage through a wall or partition of combustible construction is desired, the installation must conform with NFPA 211 or CAN/CSA-B365, and is also addressed in this manual.

Installation Clearances

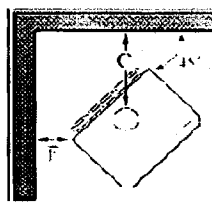
It is extremely important that you respect required installation distances and that you respect local installation regulations. This is for your safety! The manufacturer is not responsible for the product, if it is not installed following these recommendations. These clearances may only be reduced by means approved by the regulatory authority.

A combustible surface is anything that can burn (i.e. sheet rock, wall paper, wood, fabrics etc.) These surfaces are not limited to those that are visible and also include materials that are behind non-combustible materials. If you are not sure of the combustible nature of a material, consult your local fire officials.

Parallel Installation



Corner Installation



	Single wall connector pipe	Double wall connector pipe
A – Chimney Connector to backwall	16.5" (419 mm)	10.5" (267 mm)
B – Chimney Connector to sidewall	22" (559 mm)	18" (457 mm)
C – Chimney Connector to cornerwall	20" (508 mm)	15" (381 mm)
D – Unit to backwall	14" (356 mm)	8" (203 mm)
E – Unit to sidewall	14" (356 mm)	10" (254 mm)
F – Unit to cornerwall	11.5" (292 mm)	6.5" (165 mm)

Chimney

DO NOT CONNECT THIS UNIT TO A CHIMNEY FLUE SERVING ANOTHER APPLIANCE. DO NOT CONNECT TO ANY AIR DISTRIBUTION DUCT OR SYSTEM.

This room heater must be connected to a 6" factory built UL 103 HT chimney (ULC S629, in Canada) or a code-approved masonry chimney with a flue liner.

Factory Built Chimney

When a metal prefabricated chimney is used, the manufacturer's installation instructions must be followed. You must also purchase (from the same manufacturer) and install the ceiling support package or wall pass-through and "T" section package, firestops (where needed), insulation shield, roof flashing, chimney cap, etc. Maintain proper clearance to the structure as recommended by the manufacturer. The chimney must be the required height above the roof or other obstructions for safety and proper draft operation. See page 8 for chimney termination requirements.

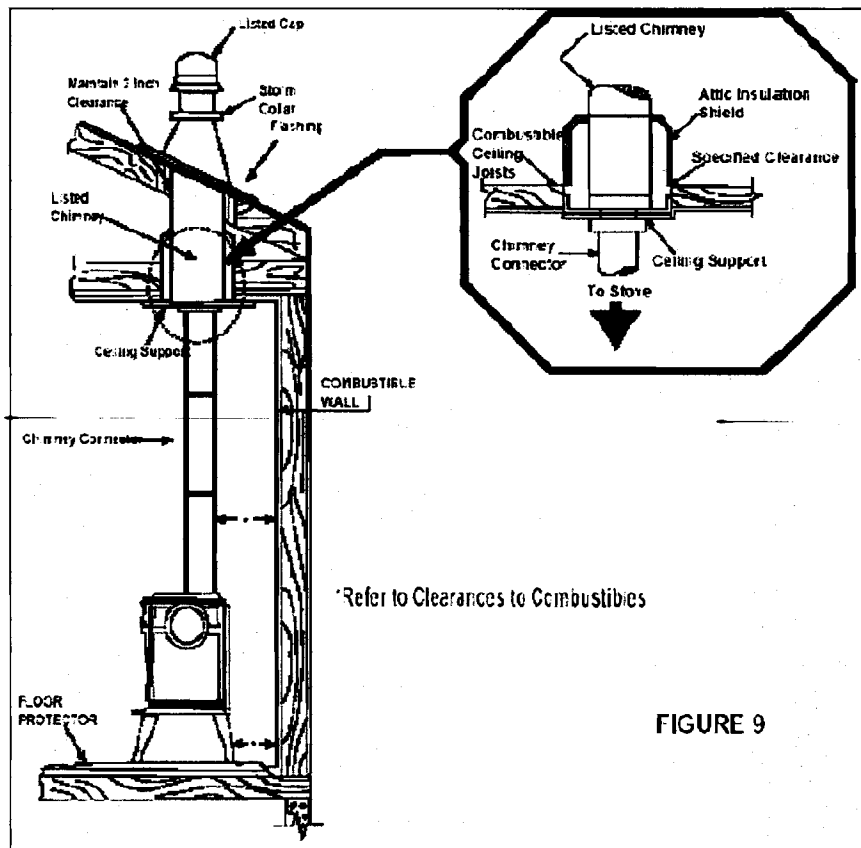
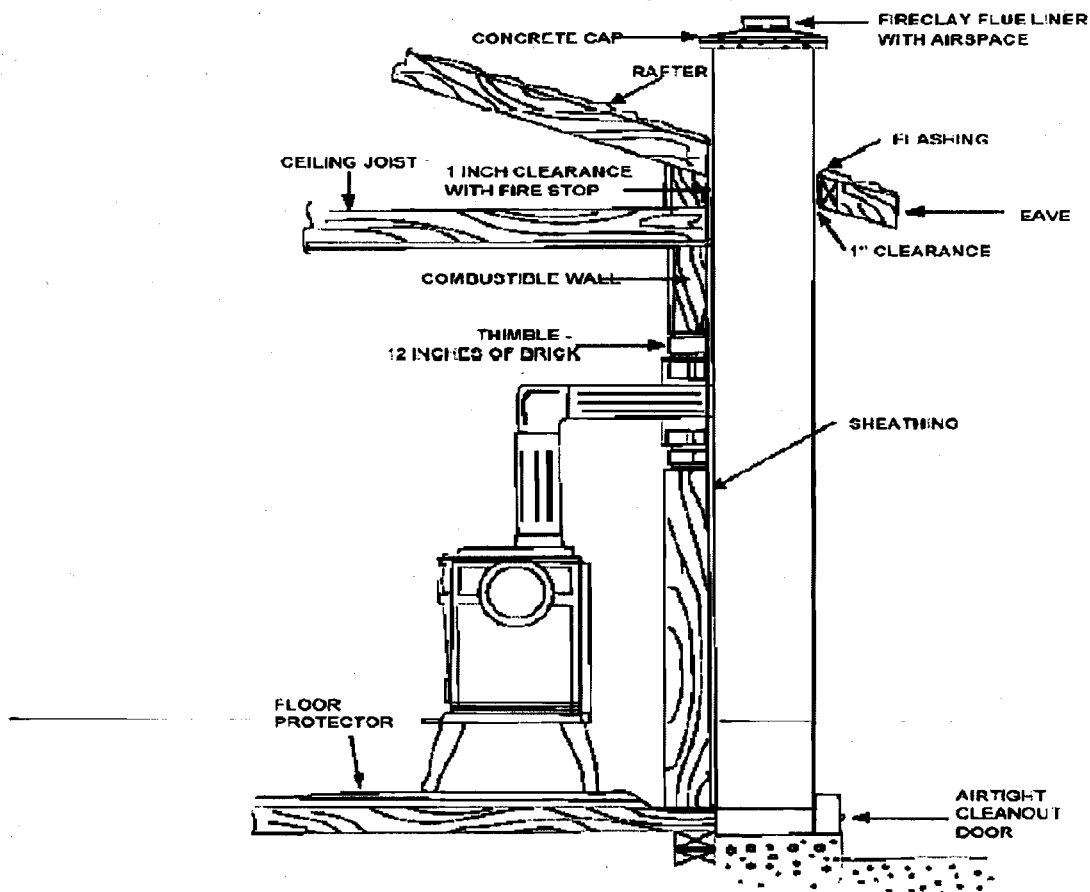


FIGURE 9

Masonry Chimney

Ensure that a masonry chimney meets the minimum standards of the National Fire Protection Association (NFPA) by having it inspected by a professional. Make sure there are no cracks, loose mortar or other signs of deterioration and blockage. Have the chimney cleaned before the stove is installed and operated. When connecting the stove through a combustible wall to a masonry chimney, special methods are needed. Refer to Combustible Wall Chimney Connector Pass-Throughs on page 9.



Masonry Fireplace

There are listed kits available to connect a stove to a masonry fireplace. The kit is an adapter that is installed at the location of the fireplace damper. The existing damper may have to be removed to allow installation. As the Bakers Oven is not available in a rear flue option installation into a masonry can only be done if the height of the chimney opening exceeds the height of the Bakers Oven.

WARNING: THE APPLIANCE AND FLUE-SYSTEM SHALL BE INSTALLED IN ACCORDANCE WITH AS/NZS 2918 AND THE APPROPRIATE REQUIREMENTS OF THE RELEVANT BUILDING CODE OR CODES.

CAUTION: MIXING OF APPLIANCE OR FLUE-SYSTEM COMPONENTS FROM DIFFERENT SOURCES OR MODIFYING THE DIMENSIONAL SPECIFICATION OF COMPONENTS MAY RESULT IN HAZARDOUS CONDITIONS. WHERE SUCH ACTION IS CONSIDERED, THE MANUFACTURER SHOULD BE CONSULTED IN THE FIRST INSTANCE.

CAUTION: CRACKED AND BROKEN COMPONENTS, e.g. GLASS PANELS OR CERAMIC TILES, MAY RENDER THE INSTALLATION UNSAFE.

WHERE A WATER JACKET IS FITTED

WARNING: DO NOT CONNECT TO AN UNVENTED HOT WATER SYSTEM.

INSTALL IN ACCORDANCE WITH AS 3500.4.1. OR NZS 4603 AND THE APPROPRIATE REQUIREMENTS OF THE RELEVANT BUILDING CODE OR CODES.

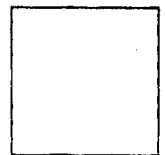
The Nectre Bakers Oven must be installed with a standard ASA 2918:2001 Flue Kit with a 900mm long 180° circumference flue mounted shield

THE FLUE KIT MUST BE INSTALLED ACCORDING TO THE MANUFACTURER'S INSTRUCTIONS

CONSTRUCTING THE FLUE – A free standing stove should have a flue kit made of stainless steel or vitreous enamelled steel and it shall extend not less than 4.6m above the top of the floor protector and meets the requirements of AS2918/2001 Section 4. The length will depend on ceiling height and roof design but the top of the flue pipe must be a minimum of 600mm above the ridge if the flue penetrates the roof within 3m of the ridge. Or to be of sufficient height to be 3m from the roof line horizontally, but a minimum height of 1m.

If the draft is insufficient or periodic down drafting occurs and the stove smokes or only burns slowly, extending the flue or fitting a specialist cowl will usually cure it.

In the roof cavity and above the roof it is essential that the flue has an outer casing with a reasonable air space (at least 25mm) between inner and outer pipes. This double flue is important to prevent condensation on the upper cooler parts of the flue as well as being a safety feature. Where the flue penetrates the ceiling and roof, it must comply with AS2918/2001. If the stove is fitted into an existing chimney ensure that it is sealed at the base of the chimney with a register plate and fit the flue pipe up through the plate and continue flue until it terminates outside the chimney in accordance with AS2918:2001 4.9.1



**PECAN ENGINEERING PTY LTD
13 ACORN ROAD
DRY CREEK
SOUTH AUSTRALIA 5094**