

N-Vent Installation & Maintenance Instructions

N-Vent
Category III
Stainless Steel Vent Pipe



warning

Failure to follow the installation instructions could cause RISK OF BREAKAGE, RISK OF FIRE, RISK OF CARBON MONOXIDE POISONING, or DEATH.



caution

This is a special stainless steel vent system for gas-fired appliances listed as Category II, III, and IV or in Canada, Type BH Venting systems as noted in ULC-636, and this is for use only with special appliances.

Failure to follow the installation instructions could cause not only decreased performance of the appliance but also property damage and, or personal injury.

Always wear gloves and appropriate eye, foot, and other protection when handling these products.

Different manufacturers have different joint systems and adhesives. Do not mix pipe, fittings, or joining methods from different manufacturers.

Examine all components for possible shipping damage prior to installation.

Proper joint assembly is essential for a safe installation. Follow these instructions exactly as written. Check quality of joints upon completion of assembly.

The venting system must be free to expand and contract and must be supported in accordance with these instructions.

Check for unrestricted vent movement through walls, ceilings, and roof penetrations.



**Important
notice**

All warranties stated or implied are void if this product and the appliances to which it is connected are not installed in accordance with their respective instructions and all national and local code requirements.

The warranty for this product is void if components other than those supplied as listed components by Noritz America and N-Vent are used.

After installation, check the entire system to make sure that all joints are secure and sealed correctly.



Thank you for purchasing N-Vent Category III, Stainless Steel Vent Pipe. Before using, please read this manual completely for correct installation and operation instructions. Keep this manual where it can be found whenever necessary.

Noritz America Corporation
25172 Arctic Ocean Drive, Suite 102
Lake Forest, CA 92630
1-866-766-7489 (1-866-7NORITZ)
www.noritz.com

Table of Contents

Contents	2
General Precautions.....	3
General Installation Requirements.....	3
Selecting an Installation Site	4
Clearances	4
Joint Structure.....	4
Connection & Disconnection.....	5
Appliance Connection.....	5
Condensate Removal.....	6
Support Straps.....	6
Adjustable Vent Lengths.....	7
Elbows & Flexible Vent Lengths.....	7
Horizontal Terminations.....	7
Horizontal Termination Instructions.....	8
Vertical Termination Instructions.....	9
Vertical Termination Exploded Parts View.....	10
N-Vent Pieces (1).....	11
N-Vent Pieces (2).....	12
N-Vent Pieces (3).....	13
N-Vent Pieces (4).....	14
N-Vent Pieces (5).....	15
N-Vent Pieces (6).....	16

General Precautions



- This installation manual is for the N-Vent system of vent pipe for tankless gas water heaters supplied by Noritz America Corporation. Refer to the appliance manufacturer's instruction for its installation.
- The vent system must be installed by an experienced professional familiar with the operation and maintenance of heating appliances & venting systems. These instructions are a guide to assist a professional installer.
- Before commencing installation, please read all installation instructions.
- The maximum flue gas temperature is 480 degrees F (249 degrees C), and the maximum positive pressure is 15" water column (100 Pa) for the vent system.
- Refer to the appliance manufacturer's instructions to determine requirements & limitations for the venting system with respect to installation and use, such as maximum horizontal length from the appliance, maximum height or the required installation clearances.
- Contact local building or fire officials about restrictions and installation inspections in your area.

General Installation Requirements

- Proper operation of the venting system and appliance is dependent on the use of all parts specified by the manufacturer for use in the particular installation. Proper performance of the system may be affected if the proper assembly of all required parts is not accomplished.
- Except for installation in one and two family dwellings, a venting system that extends through any zone above that on which the connected appliance is located shall be provided with an enclosure having a fire resistance rating equal to or greater than that of the floor or roof assemblies through which it passes.
- The venting system shall not be routed into, through, or within any other vent, such as an existing masonry or factory-built chimney flue.
- Do not install insulation within any required clearance space around this venting system.
- Exterior mounted venting systems must be enclosed below the roof line to limit condensation and protect against mechanical damage.
- Any horizontally installed portion of a venting system shall have a slope (downwards for category III appliances) no less than 1/4" per foot to prevent collection of condensate at any location in the assembly.
- Due to ice build-up and blockage, it is required that the proper sloping be employed when the vent is installed in a horizontal installation. Refer to the appliance manufacturer's installation instructions for further details regarding the installation of condensate drain fittings.
- The horizontal & vertical vent length and the number of elbows from the appliance flue collar to the outside termination shall not be greater than which is specified in the appliance manufacturer's installation instructions.
- If the instructions of the appliance manufacturer or local regulations call for a condensate drain, locate the drain tee as close as possible to the appliance exhaust outlet. Follow the appliance manufacturer's instructions, or all local and national building codes for draining condensate. Do not use copper as a drain as it may corrode.

Selecting an Installation Site

- A venting system that exits the structure through a sidewall shall terminate no less than 12 inches above ground.
- A termination of the venting system shall be located above the snow line in geographical areas where snow may accumulate.
- The termination of the venting system shall not be located in traffic areas such as walkways, unless the venting termination is at least 7 feet above the ground.

Clearances

- Maintain clearances to combustibles as follows in Table 1:

CLEARANCE TO COMBUSTIBLES					
Max. Flue Gas Temperature		Unenclosed		Enclosed	
		Horizontal	Vertical	Horizontal	Vertical
4"	480° F	3"	3"	Top: 15"/381mm	4"
	249° C	76.2mm	76.2mm	Sides: 10"/254mm	101.6 mm
5"	480° F	3"	3"	Bottom: 6"/152.4mm	6"
	249° C	76.2mm	76.2mm		152.4 mm

Table 1.

- Terminate the system 6 feet from the combustion intake of any appliance.
- Terminate the system at least 3 feet from any other building opening, utility meter, service regulator or the like.

Joint Structure (Patent Pending)

- The female end of each N-Vent component incorporates a sealing O-ring and a mechanical locking joint. Examine the O-ring prior to installation.
- The joint is composed of a Push Lever, Pin, Plate Spring, and a Joint Stopper as shown in Figure 3-1.

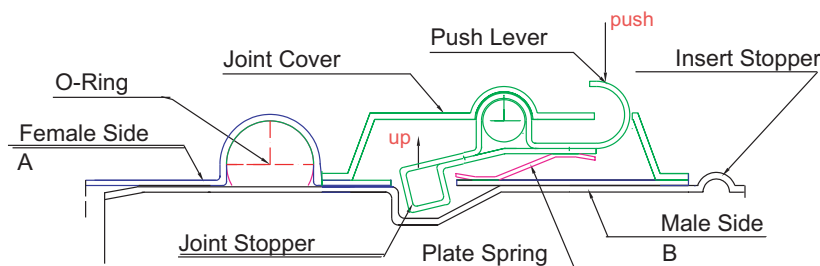


Figure 1.

Joint Connection & Disconnection

- All vent lengths, elbows, rain caps, storm collar pipes, drain tees, and termination pieces are connected and detached by the following method.

Connection, Figure 2.

1. Distinguish between female and male end of the vent piece. The female end has the O-ring and N-Vent joint.
2. Insert the male end fully into the female end until it is seated against the insert stopper on the female section.

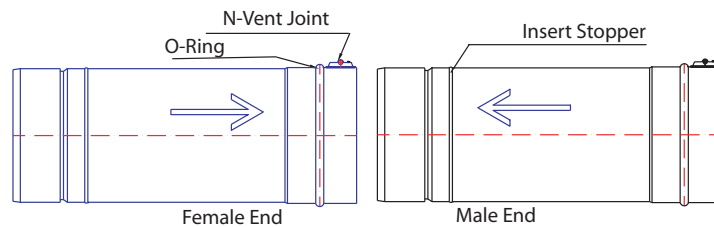


Figure 2.

Disconnection, Figure 3.

3. Push the male end fully into the female end. Then pull out on the male end while holding the Push Lever.

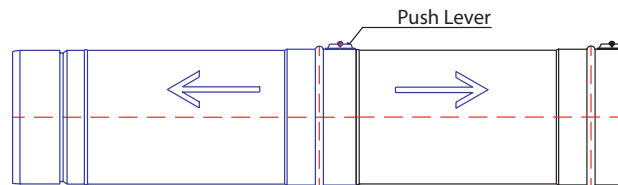


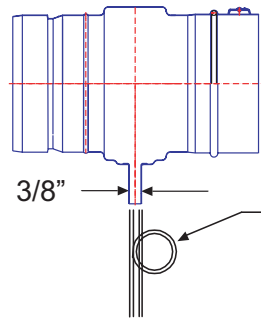
Figure 3.

Appliance Connection

- Connect the N-Vent to the appliance flue collar as directed by the appliance manufacturer's instructions.

Condensate Removal

- If appliance manufacturer's instructions or local regulations call for a condensate drain, use an N-Vent Drain Tee and 3/8" (OD) plastic tube of appropriate length to drain the condensate from the system.

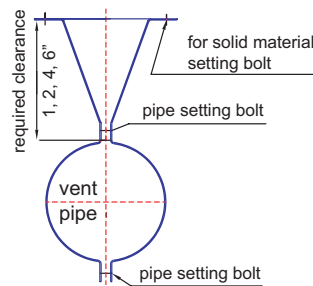


Dispose of condensate according to local building codes.
Be sure to include trap in drain line.

- Follow all local and national codes for draining acidic condensate. Do not use copper as it may corrode.

Support Straps

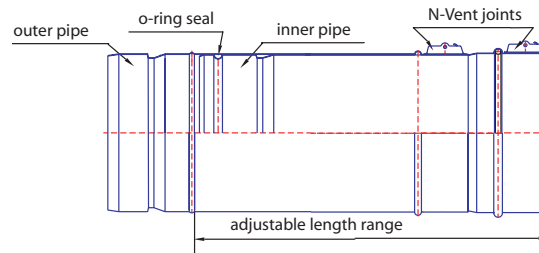
- Supports must be installed at intervals of no more than 6 feet.



- Vent pipe is inserted in the cylinder part of the support and lightly fixed with included screw. The supports must be secured to solid material using screws, then fasten the loose screw. Use supports that maintain proper clearances to combustible materials. Install according to required clearances, using one of four available Support Straps: 1, 2, 4, and 6" clearances.

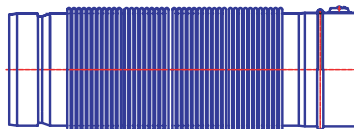
Adjustable Vent Lengths

- Adjustable vent lengths are available for installations where fixed-length sections do not produce the desired dimensions.
- Adjustable lengths may also be used to compensate for linear thermal expansion between two fixed points.
- Adjustable pipe is available in the following lengths: 7-9.4", 9-13.4", and 13-21.4".

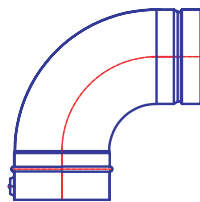


Elbows & Flexible Vent Lengths

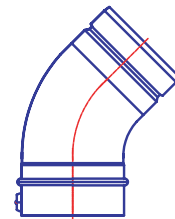
- 45 Degree Elbows, 90 Degree Elbows, and Flexible Vent Lengths are available for changing the direction of the vent system.



18" Flexible Vent Length



90 Degree Elbow



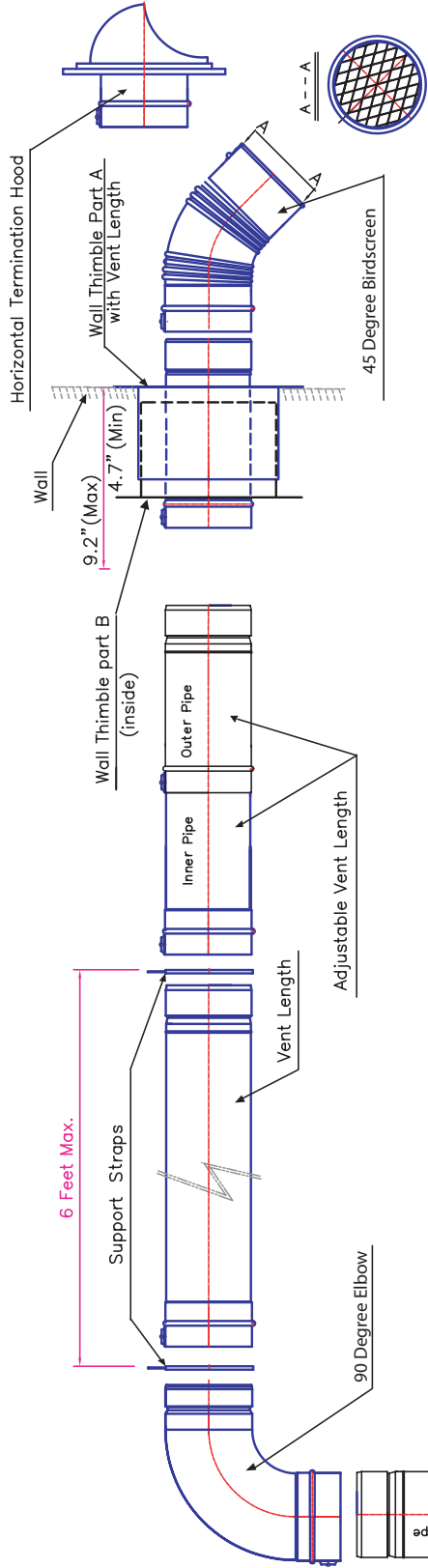
45 Degree Elbow

- The flexible section of vent can be manually adjusted to small angles. Do not bend repeatedly or to extreme angles. This may cause a gas leak.

Horizontal Terminations

- The total horizontal vent length from the appliance flue collar to the outside termination shall not be greater than specified in the appliance manufacturer's instructions.
- A venting system that exits the structure through a sidewall shall terminate no less than 12" above the ground.
- A termination of the venting system shall be located above the snow line in geographical areas where snow accumulates.
- The termination of the venting system shall not be located in traffic areas such as public walkways, unless the venting system terminates at least 7 feet above the ground.
- Use steel hanger straps a minimum of every 6 feet to support the vent system from the ceiling joint or other solid structure.

Horizontal Vent Termination Instructions



1. Determine the path for the vent system and install the Wall Thimble so that a continuous slope no less than 1/4" per foot downwards is maintained in the horizontal section of pipe. Any condensate created in the vent pipe should drain away from the heater.
 2. Cut the opening for the Wall Thimble according to Table 2. The wall thickness shall be 4.7" - 9.2". The Wall Thimble consists of 2 parts (Part A with vent length and Part B). Separate Parts A & B before installation.
 3. Insert Part A from the outside and part B from the inside. Slide the pipe of Part B into the pipe of Part A until the outer and inner plates of the Wall Thimble are flush against the wall.
 4. Fasten Part A, then Part B.
 5. Fasten the vent termination to Part A of the Wall Thimble.
Available terminations Include a straight Birdscreen, 45 degree Birdscreen, Louver termination, and a Hood Termination.
 6. Properly seal between the Wall Thimble and vent termination as required.
 7. Install the vent system starting with the wall thimble, ending back at the appliance.
- * Adjustable Vent Lengths are available to allow for installations where fixed length sections do not produce the desired length.

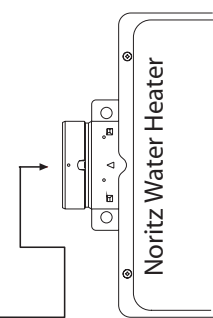


Table 2.

Vent Size	Wall Hole Diameter
4"	7"
5"	10.7"

Table 1.

Max. Flue Gas Temperature	CLEARANCE TO COMBUSTIBLES		Enclosed	
	Unenclosed	Horizontal	Horizontal	Vertical
480° F 249°C	3"	3"	Top: 15"/381mm Sides: 10"/254mm	4"
480° F 249°C	3"	3"	Bottom: 6"/152.4mm	6"
	76.2mm	76.2mm	76.2mm	152.4mm



N-Vent
Category III
Stainless Steel Vent Pipe

Vertical Vent Termination Instructions

- Determine the path for the vent system so that a continuous slope no less than 1/4" per foot (towards the drain tee) is maintained in the horizontal portion of the vent system.
- Cut openings in floors, ceiling, and roof to accommodate Firestops and Roof Jacks with the required clearances to combustibles.
- Fasten Firestops to the opening on floors, ceiling with screws. Fasten Roof Flashing to roof with screws.
- Install the Roof Jack/Storm Collar Pipe assembly into the Roof Flashing.
- Attach the Rain Cap. The distance between the Rain Cap and roof should be no more than 6 feet. Add the additional lengths between the Rain Cap and the Storm Collar Pipe as needed.
- Install the vent system from the Storm Collar Pipe to the appliance.
- Once the vent system reaches the floor or ceiling, slide the pipe through the Fire Stop. Then fasten the Support Clamp to the pipe with screws.

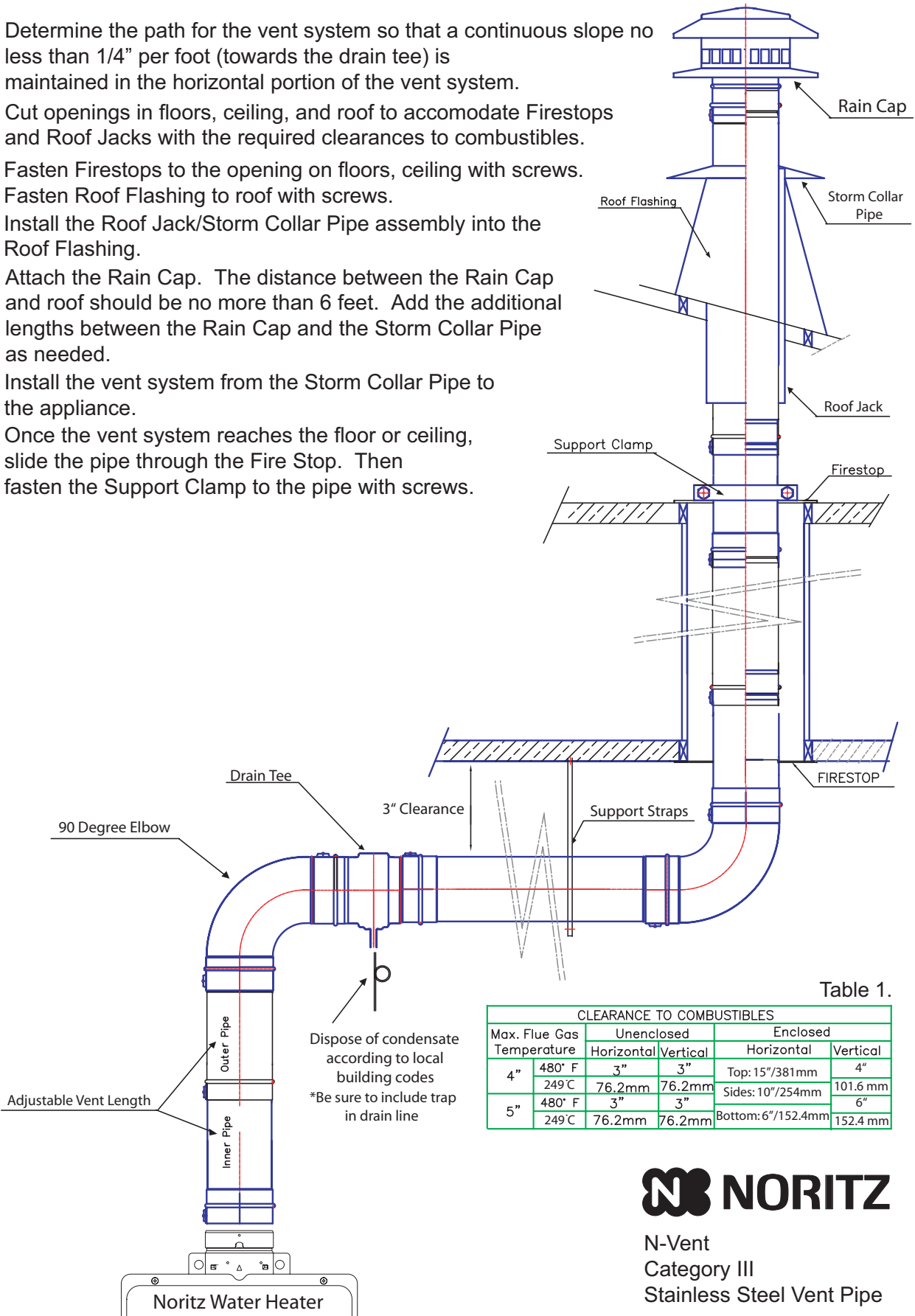
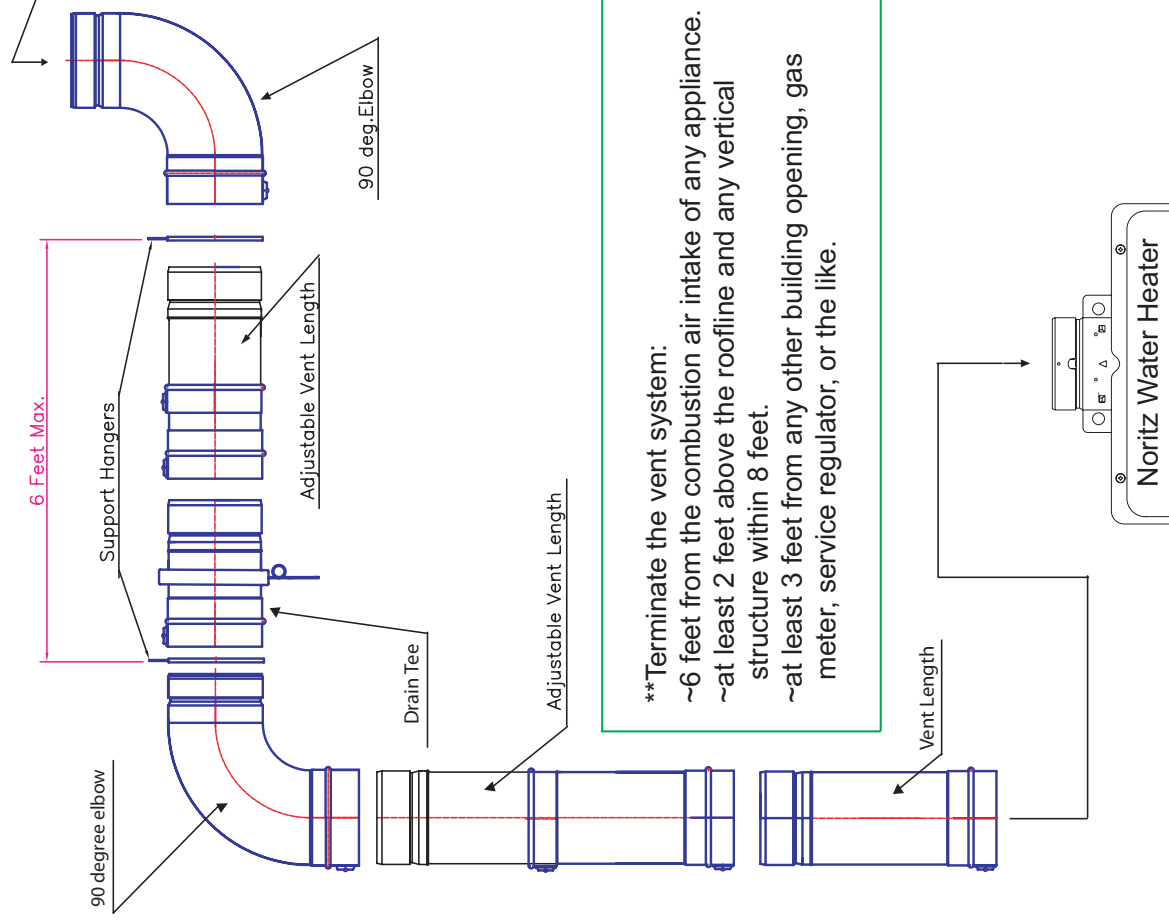
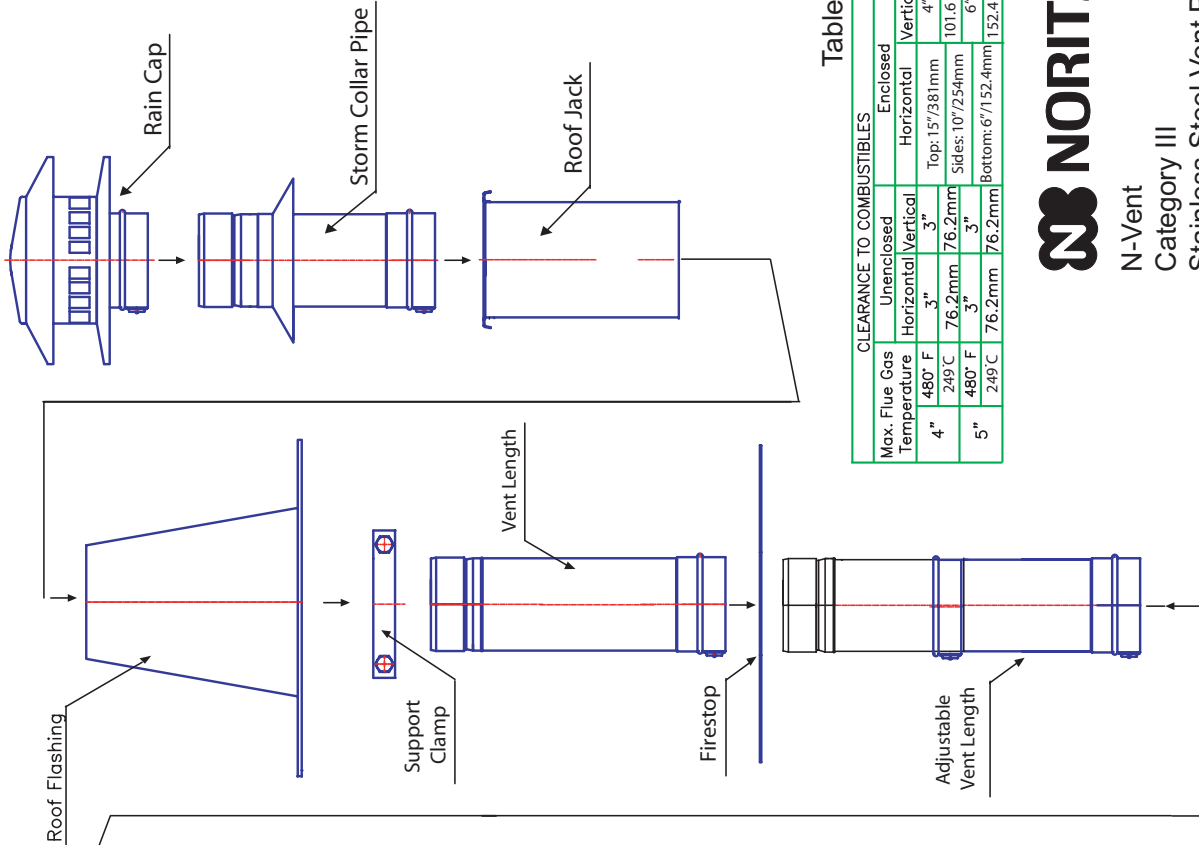


Table 1.

CLEARANCE TO COMBUSTIBLES					
Max. Flue Gas Temperature		Unenclosed		Enclosed	
		Horizontal	Vertical	Horizontal	Vertical
4"	480° F	3"	3"	Top: 15"/381mm	4"
	249° C	76.2mm	76.2mm	Sides: 10"/254mm	101.6 mm
5"	480° F	3"	3"	Bottom: 6"/152.4mm	6"
	249° C	76.2mm	76.2mm		

NORITZ
 N-Vent
 Category III
 Stainless Steel Vent Pipe

Vertical Vent Termination Exploded Parts View




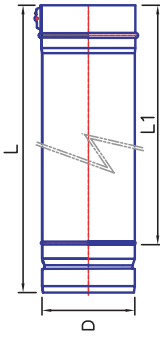
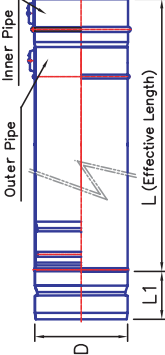

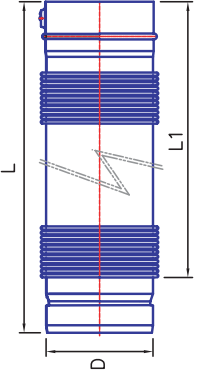

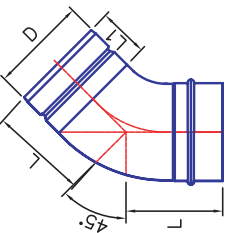
****Terminate the vent system:**
 ~6 feet from the combustion air intake of any appliance.
 ~at least 2 feet above the roofline and any vertical structure within 8 feet.
 ~at least 3 feet from any other building opening, gas meter, service regulator, or the like.

Table 1.


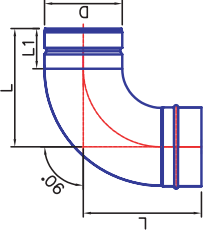

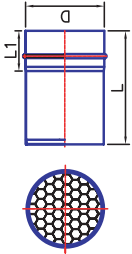

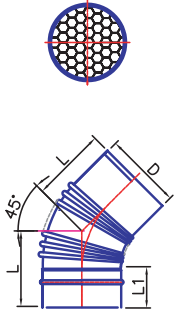
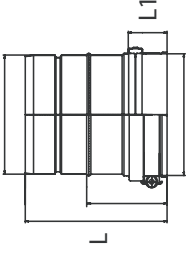
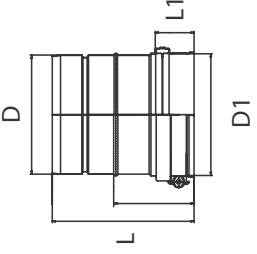
Max. Flue Gas Temperature	CLEARANCE TO COMBUSTIBLES		
	Unenclosed Horizontal	Unenclosed Vertical	Enclosed Vertical
480° F	3"	3"	4"
249° C	76.2mm	76.2mm	101.6mm
480° F	3"	3"	6"
249° C	76.2mm	76.2mm	152.4mm




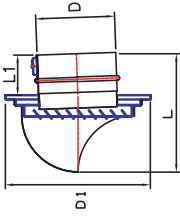

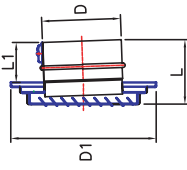

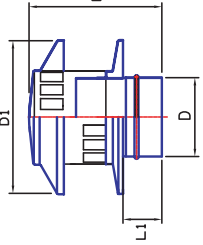

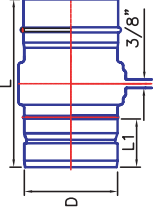
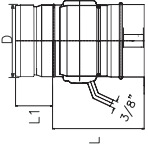
N-Vent Pieces (1)

Category	Type	Photo	Description	Drawing	Dimensions (Inches)																											
Vent Pipe	Rigid		12" Straight 24" Straight 36" Straight		<table border="1"> <thead> <tr> <th>SIZE</th> <th>D</th> <th>L1</th> <th>L</th> <th>Part Number</th> </tr> </thead> <tbody> <tr> <td rowspan="3">4</td> <td rowspan="3">4</td> <td>11.8</td> <td>13.86</td> <td>VP4-12STR</td> </tr> <tr> <td>23.6</td> <td>25.67</td> <td>VP4-24STR</td> </tr> <tr> <td>35.5</td> <td>37.48</td> <td>VP4-36STR</td> </tr> <tr> <td rowspan="3">5</td> <td rowspan="3">5</td> <td>11.8</td> <td>14.49</td> <td>VP5-12STR</td> </tr> <tr> <td>23.6</td> <td>26.3</td> <td>VP5-24STR</td> </tr> <tr> <td>35.5</td> <td>38.1</td> <td>VP5-36STR</td> </tr> </tbody> </table>	SIZE	D	L1	L	Part Number	4	4	11.8	13.86	VP4-12STR	23.6	25.67	VP4-24STR	35.5	37.48	VP4-36STR	5	5	11.8	14.49	VP5-12STR	23.6	26.3	VP5-24STR	35.5	38.1	VP5-36STR
	SIZE	D	L1	L	Part Number																											
	4	4	11.8	13.86	VP4-12STR																											
23.6			25.67	VP4-24STR																												
35.5			37.48	VP4-36STR																												
5	5	11.8	14.49	VP5-12STR																												
		23.6	26.3	VP5-24STR																												
		35.5	38.1	VP5-36STR																												
Adjustable Vent Length (Telescoping)	Photo Currently Not Available	7" - 9.4" Adjustable 9" - 13.4" Adjustable 13" - 21.4" Adjustable		<table border="1"> <thead> <tr> <th>SIZE</th> <th>D</th> <th>L1</th> <th>L</th> <th>Part Number</th> </tr> </thead> <tbody> <tr> <td rowspan="3">4</td> <td rowspan="3">4</td> <td rowspan="3">2.05</td> <td>6.8 ~ 9.1</td> <td>VP4-9.4ADJ</td> </tr> <tr> <td>9.5 ~ 14.65</td> <td>VP4-13.4ADJ</td> </tr> <tr> <td>15.4 ~ 26.5</td> <td>VP4-21.4ADJ</td> </tr> <tr> <td rowspan="3">5</td> <td rowspan="3">5</td> <td rowspan="3">2.68</td> <td>6.8 ~ 9.1</td> <td>VP5-9.4ADJ</td> </tr> <tr> <td>9.5 ~ 14.65</td> <td>VP5-13.4ADJ</td> </tr> <tr> <td>15.4 ~ 26.5</td> <td>VP5-21.4ADJ</td> </tr> </tbody> </table>	SIZE	D	L1	L	Part Number	4	4	2.05	6.8 ~ 9.1	VP4-9.4ADJ	9.5 ~ 14.65	VP4-13.4ADJ	15.4 ~ 26.5	VP4-21.4ADJ	5	5	2.68	6.8 ~ 9.1	VP5-9.4ADJ	9.5 ~ 14.65	VP5-13.4ADJ	15.4 ~ 26.5	VP5-21.4ADJ					
SIZE	D	L1	L	Part Number																												
4	4	2.05	6.8 ~ 9.1	VP4-9.4ADJ																												
			9.5 ~ 14.65	VP4-13.4ADJ																												
			15.4 ~ 26.5	VP4-21.4ADJ																												
5	5	2.68	6.8 ~ 9.1	VP5-9.4ADJ																												
			9.5 ~ 14.65	VP5-13.4ADJ																												
			15.4 ~ 26.5	VP5-21.4ADJ																												
Flexible		18" Flexible		<table border="1"> <thead> <tr> <th>SIZE</th> <th>D</th> <th>L1</th> <th>L</th> <th>Part Number</th> </tr> </thead> <tbody> <tr> <td rowspan="2">4</td> <td rowspan="2">4</td> <td>17.7</td> <td>19.76</td> <td>VP4-18FLEX</td> </tr> <tr> <td>17.7</td> <td>20.4</td> <td>VP5-18FLEX</td> </tr> </tbody> </table>	SIZE	D	L1	L	Part Number	4	4	17.7	19.76	VP4-18FLEX	17.7	20.4	VP5-18FLEX															
SIZE	D	L1	L	Part Number																												
4	4	17.7	19.76	VP4-18FLEX																												
		17.7	20.4	VP5-18FLEX																												
Elbow		45 Degree		<table border="1"> <thead> <tr> <th>SIZE</th> <th>D</th> <th>L</th> <th>L1</th> <th>Part Number</th> </tr> </thead> <tbody> <tr> <td rowspan="2">4</td> <td rowspan="2">4</td> <td>4</td> <td>2.05</td> <td>VP4-45EL</td> </tr> <tr> <td>5.36</td> <td>2.68</td> <td>VP5-45EL</td> </tr> </tbody> </table>	SIZE	D	L	L1	Part Number	4	4	4	2.05	VP4-45EL	5.36	2.68	VP5-45EL															
SIZE	D	L	L1	Part Number																												
4	4	4	2.05	VP4-45EL																												
		5.36	2.68	VP5-45EL																												

N-Vent Pieces (2)

Category	Type	Photo	Description	Drawing	Dimensions (Inches)															
Vent Pipe	Elbow		90 Degree		<table border="1"> <thead> <tr> <th>SIZE</th> <th>D</th> <th>L1</th> <th>L</th> <th>Part Number</th> </tr> </thead> <tbody> <tr> <td>4</td> <td>4</td> <td>2.05</td> <td>6.15</td> <td>VP4-90EL</td> </tr> <tr> <td>5</td> <td>5</td> <td>2.68</td> <td>7.9</td> <td>VP5-90EL</td> </tr> </tbody> </table>	SIZE	D	L1	L	Part Number	4	4	2.05	6.15	VP4-90EL	5	5	2.68	7.9	VP5-90EL
SIZE	D	L1	L	Part Number																
4	4	2.05	6.15	VP4-90EL																
5	5	2.68	7.9	VP5-90EL																
Vent Termination	Horizontal		Straight Birdscreen		<table border="1"> <thead> <tr> <th>SIZE</th> <th>D</th> <th>L1</th> <th>L</th> <th>Part Number</th> </tr> </thead> <tbody> <tr> <td>4</td> <td>4</td> <td>2.05</td> <td>6.15</td> <td>VT4-S</td> </tr> <tr> <td>5</td> <td>5</td> <td>2.68</td> <td>7.9</td> <td>VT5-S</td> </tr> </tbody> </table>	SIZE	D	L1	L	Part Number	4	4	2.05	6.15	VT4-S	5	5	2.68	7.9	VT5-S
SIZE	D	L1	L	Part Number																
4	4	2.05	6.15	VT4-S																
5	5	2.68	7.9	VT5-S																
Vent Termination	Horizontal		45 Degree Birdscreen		<table border="1"> <thead> <tr> <th>SIZE</th> <th>D</th> <th>L1</th> <th>L</th> <th>Part Number</th> </tr> </thead> <tbody> <tr> <td>4</td> <td>4</td> <td>2.05</td> <td>4</td> <td>VT4-45</td> </tr> <tr> <td>5</td> <td>5</td> <td>2.68</td> <td>5.36</td> <td>VT5-45</td> </tr> </tbody> </table>	SIZE	D	L1	L	Part Number	4	4	2.05	4	VT4-45	5	5	2.68	5.36	VT5-45
SIZE	D	L1	L	Part Number																
4	4	2.05	4	VT4-45																
5	5	2.68	5.36	VT5-45																
Vent Pipe	Adapter		Appliance Adapter for other Tankless Heaters to use N-Vent		<table border="1"> <thead> <tr> <th>SIZE</th> <th>D</th> <th>L1</th> <th>L</th> <th>D1</th> <th>Part Number</th> </tr> </thead> <tbody> <tr> <td>4</td> <td>4</td> <td>1.17</td> <td>4.92</td> <td>4.03</td> <td>VP4-ADAPT-1</td> </tr> </tbody> </table>	SIZE	D	L1	L	D1	Part Number	4	4	1.17	4.92	4.03	VP4-ADAPT-1			
SIZE	D	L1	L	D1	Part Number															
4	4	1.17	4.92	4.03	VP4-ADAPT-1															


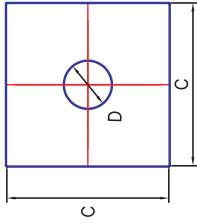

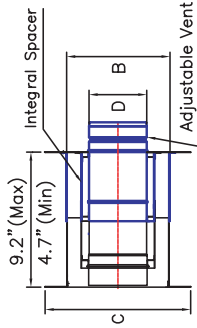

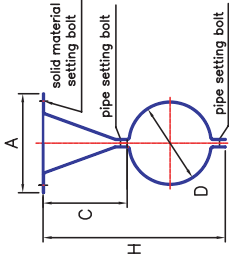
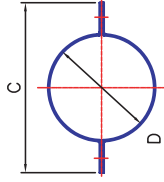
N-Vent Pieces (3)

Category	Type	Photo	Description	Drawing	Dimensions (Inches)																		
Vent Termination	Horizontal		Hood		<table border="1"> <thead> <tr> <th>SIZE</th> <th>D</th> <th>L1</th> <th>L</th> <th>D1</th> <th>Part Number</th> </tr> </thead> <tbody> <tr> <td>4</td> <td>4</td> <td>2.13</td> <td>6.06</td> <td>7.4</td> <td>VT4-SH</td> </tr> <tr> <td>5</td> <td>5</td> <td>2.76</td> <td>6.62</td> <td>7.4</td> <td>VT5-SH</td> </tr> </tbody> </table>	SIZE	D	L1	L	D1	Part Number	4	4	2.13	6.06	7.4	VT4-SH	5	5	2.76	6.62	7.4	VT5-SH
	SIZE	D	L1	L	D1	Part Number																	
4	4	2.13	6.06	7.4	VT4-SH																		
5	5	2.76	6.62	7.4	VT5-SH																		
			Louver		<table border="1"> <thead> <tr> <th>SIZE</th> <th>D</th> <th>L1</th> <th>L</th> <th>D1</th> <th>Part Number</th> </tr> </thead> <tbody> <tr> <td>4</td> <td>4</td> <td>2.13</td> <td>3.15</td> <td>7.4</td> <td>VT4-SL</td> </tr> <tr> <td>5</td> <td>5</td> <td>2.76</td> <td>3.7</td> <td>7.4</td> <td>VT5-SL</td> </tr> </tbody> </table>	SIZE	D	L1	L	D1	Part Number	4	4	2.13	3.15	7.4	VT4-SL	5	5	2.76	3.7	7.4	VT5-SL
SIZE	D	L1	L	D1	Part Number																		
4	4	2.13	3.15	7.4	VT4-SL																		
5	5	2.76	3.7	7.4	VT5-SL																		
Condensation Drain	Vertical		Rain Cap		<table border="1"> <thead> <tr> <th>SIZE</th> <th>D</th> <th>L1</th> <th>L</th> <th>D1</th> <th>Part Number</th> </tr> </thead> <tbody> <tr> <td>4</td> <td>4</td> <td>2</td> <td>6.6</td> <td>7.8</td> <td>RC4</td> </tr> <tr> <td>5</td> <td>5</td> <td>2</td> <td>7.2</td> <td>11</td> <td>RC5</td> </tr> </tbody> </table>	SIZE	D	L1	L	D1	Part Number	4	4	2	6.6	7.8	RC4	5	5	2	7.2	11	RC5
	SIZE	D	L1	L	D1	Part Number																	
4	4	2	6.6	7.8	RC4																		
5	5	2	7.2	11	RC5																		
	Horizontal		Horizontal Drain Tee		<table border="1"> <thead> <tr> <th>SIZE</th> <th>D</th> <th>L</th> <th>L1</th> <th>Part Number</th> </tr> </thead> <tbody> <tr> <td>4</td> <td>4</td> <td>7.2</td> <td>2.05</td> <td>DT4</td> </tr> <tr> <td>5</td> <td>5</td> <td>8</td> <td>2.7</td> <td>DT5</td> </tr> </tbody> </table>	SIZE	D	L	L1	Part Number	4	4	7.2	2.05	DT4	5	5	8	2.7	DT5			
SIZE	D	L	L1	Part Number																			
4	4	7.2	2.05	DT4																			
5	5	8	2.7	DT5																			
	Vertical	Photo Currently Not Available	Vertical Drain Tee		<table border="1"> <thead> <tr> <th>SIZE</th> <th>D</th> <th>L</th> <th>L1</th> <th>Part Number</th> </tr> </thead> <tbody> <tr> <td>4</td> <td>4</td> <td>2.05</td> <td>5.12</td> <td>DT4-V</td> </tr> <tr> <td>5</td> <td>5</td> <td>2.68</td> <td>6.22</td> <td>DT5-V</td> </tr> </tbody> </table>	SIZE	D	L	L1	Part Number	4	4	2.05	5.12	DT4-V	5	5	2.68	6.22	DT5-V			
SIZE	D	L	L1	Part Number																			
4	4	2.05	5.12	DT4-V																			
5	5	2.68	6.22	DT5-V																			

N-Vent Pieces (4)

Category	Type	Photo	Description	Drawing	Dimensions (Inches)															
		Photo Currently Not Available	Flat Roof Flashing		<table border="1"> <thead> <tr> <th>SIZE</th> <th>B</th> <th>H</th> <th>C</th> <th>Part Number</th> </tr> </thead> <tbody> <tr> <td>4</td> <td>5.3</td> <td>11.5</td> <td>17</td> <td>FRF4</td> </tr> <tr> <td>5</td> <td>6.3</td> <td>11.5</td> <td>18</td> <td>FRF5</td> </tr> </tbody> </table>	SIZE	B	H	C	Part Number	4	5.3	11.5	17	FRF4	5	6.3	11.5	18	FRF5
SIZE	B	H	C	Part Number																
4	5.3	11.5	17	FRF4																
5	6.3	11.5	18	FRF5																
			Angled Roof Flashing		<table border="1"> <thead> <tr> <th>SIZE</th> <th>B</th> <th>H</th> <th>C</th> <th>Part Number</th> </tr> </thead> <tbody> <tr> <td>4</td> <td>6.0</td> <td>6.0</td> <td>17</td> <td>ARF4</td> </tr> <tr> <td>5</td> <td>7.0</td> <td>6.0</td> <td>18</td> <td>ARF5</td> </tr> </tbody> </table>	SIZE	B	H	C	Part Number	4	6.0	6.0	17	ARF4	5	7.0	6.0	18	ARF5
SIZE	B	H	C	Part Number																
4	6.0	6.0	17	ARF4																
5	7.0	6.0	18	ARF5																
Roof Piece	Vertical		Roof Jack		<table border="1"> <thead> <tr> <th>SIZE</th> <th>B</th> <th>H</th> <th>Part Number</th> </tr> </thead> <tbody> <tr> <td>4</td> <td>5.0</td> <td>18</td> <td>RJ4</td> </tr> <tr> <td>5</td> <td>6.0</td> <td>18</td> <td>RJ5</td> </tr> </tbody> </table>	SIZE	B	H	Part Number	4	5.0	18	RJ4	5	6.0	18	RJ5			
SIZE	B	H	Part Number																	
4	5.0	18	RJ4																	
5	6.0	18	RJ5																	
			Storm Collar Pipe		<table border="1"> <thead> <tr> <th>SIZE</th> <th>D</th> <th>A</th> <th>H</th> <th>Part Number</th> </tr> </thead> <tbody> <tr> <td>4</td> <td>4</td> <td>7.8</td> <td>23.6</td> <td>SCP4</td> </tr> <tr> <td>5</td> <td>5</td> <td>8.9</td> <td>25.2</td> <td>SCP5</td> </tr> </tbody> </table>	SIZE	D	A	H	Part Number	4	4	7.8	23.6	SCP4	5	5	8.9	25.2	SCP5
SIZE	D	A	H	Part Number																
4	4	7.8	23.6	SCP4																
5	5	8.9	25.2	SCP5																

N-Vent Pieces (5)

Category	Type	Photo	Description	Drawing	Dimensions (Inches)																																				
Fire Stop	Vertical		Fire Stop		<table border="1"> <thead> <tr> <th>SIZE</th> <th>D</th> <th>C</th> <th>Part Number</th> </tr> </thead> <tbody> <tr> <td>4</td> <td>4.4</td> <td>15</td> <td>FS4</td> </tr> <tr> <td>5</td> <td>5.4</td> <td>17</td> <td>FS5</td> </tr> </tbody> </table>	SIZE	D	C	Part Number	4	4.4	15	FS4	5	5.4	17	FS5																								
SIZE	D	C	Part Number																																						
4	4.4	15	FS4																																						
5	5.4	17	FS5																																						
Wall Penetration	Horizontal		Wall Thimble		<table border="1"> <thead> <tr> <th>SIZE</th> <th>D</th> <th>B</th> <th>C</th> <th>Part Number</th> </tr> </thead> <tbody> <tr> <td>4</td> <td>4</td> <td>7</td> <td>10</td> <td>WT4</td> </tr> <tr> <td>5</td> <td>5</td> <td>10.7</td> <td>12.2</td> <td>WT5</td> </tr> </tbody> </table>	SIZE	D	B	C	Part Number	4	4	7	10	WT4	5	5	10.7	12.2	WT5																					
SIZE	D	B	C	Part Number																																					
4	4	7	10	WT4																																					
5	5	10.7	12.2	WT5																																					
Support	Strap		1" Clearance		<table border="1"> <thead> <tr> <th>SIZE</th> <th>D</th> <th>A</th> <th>H</th> <th>C</th> <th>Part Number</th> </tr> </thead> <tbody> <tr> <td rowspan="3">4</td> <td rowspan="3">4</td> <td rowspan="3">4.73</td> <td>5.7</td> <td>1"</td> <td>SS4-1</td> </tr> <tr> <td>6.6</td> <td>2"</td> <td>SS4-2</td> </tr> <tr> <td>8.7</td> <td>4"</td> <td>SS4-4</td> </tr> <tr> <td rowspan="3">5</td> <td rowspan="3">5</td> <td rowspan="3">6</td> <td>10.7</td> <td>6"</td> <td>SS4-6</td> </tr> <tr> <td>6.8</td> <td>1"</td> <td>SS5-1</td> </tr> <tr> <td>7.8</td> <td>2"</td> <td>SS5-2</td> </tr> <tr> <td>9.8</td> <td>4"</td> <td>SS5-4</td> </tr> <tr> <td>11.8</td> <td>6"</td> <td>SS5-6</td> </tr> </tbody> </table>	SIZE	D	A	H	C	Part Number	4	4	4.73	5.7	1"	SS4-1	6.6	2"	SS4-2	8.7	4"	SS4-4	5	5	6	10.7	6"	SS4-6	6.8	1"	SS5-1	7.8	2"	SS5-2	9.8	4"	SS5-4	11.8	6"	SS5-6
			SIZE	D	A	H	C	Part Number																																	
			4	4	4.73	5.7	1"	SS4-1																																	
						6.6	2"	SS4-2																																	
8.7	4"	SS4-4																																							
5	5	6	10.7	6"	SS4-6																																				
			6.8	1"	SS5-1																																				
			7.8	2"	SS5-2																																				
9.8	4"	SS5-4																																							
11.8	6"	SS5-6																																							
2" Clearance																																									
4" Clearance																																									
6" Clearance																																									
	Clamp	Photo Currently Not Available	Support Clamp		<table border="1"> <thead> <tr> <th>SIZE</th> <th>D</th> <th>C</th> <th>Part Number</th> </tr> </thead> <tbody> <tr> <td>4</td> <td>4</td> <td>6</td> <td>SC4</td> </tr> <tr> <td>5</td> <td>5</td> <td>7</td> <td>SC5</td> </tr> </tbody> </table>	SIZE	D	C	Part Number	4	4	6	SC4	5	5	7	SC5																								
SIZE	D	C	Part Number																																						
4	4	6	SC4																																						
5	5	7	SC5																																						

