



Sirocco 20.1 / Chinook 20.1 / Ashford 20.1

BLAZE KING

Sirocco 20.1

Chinook 20.1

Ashford 20.1

Free Standing Wood Stoves



Blaze  King
www.blazeking.com

SIROCCO 20.1

Classic Lines and Versatility The Sirocco embodies the timeless styling of the classic North American wood stove.

Versatility You can customize your Sirocco stove to match the decor of your home.

The optional convectional deck adds to the aesthetics of your stove and helps increase its performance, especially when fitted with the optional fan kit.

The Sirocco is further enhanced with the optional satin door and satin bypass handles. The handle grips are made from ash hardwood and coated in black enamel.

You can choose a pedestal with standard ash drawer or leg version with optional ash drawer.

Sirocco 20.1 on pedestal with ash drawer and optional convection deck.

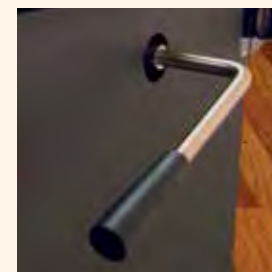
Specifications: Sirocco 20.1	Optimum Performance (LHV)	Real World Tested Performance (HHV)
Maximum heat input**	309,404 BTU's	309,404 BTU's
Efficiency	83%	77% (EPA listed efficiency)
Constant Heat output on High***	32,101 BTU's/hour for 8 hours	29,780 BTU's/hour for 8 hours
Constant Heat output on Low****	12,840 BTU's/hour for up to 20 hours	11,912 BTU's/hour for up to 20 hours
Square Feet Heated*	900 – 1500	
Maximum Log Size	Up To 16**	
Burn Time*	Up to 20 hours on low	
Emissions (grams/hour)	1.28 g	
Firebox Size	1.8 cu. ft.	
Flue Size	6"	
CO% Weighted Average	0.13%	



Optional Pedestal with Ash Drawer



Optional Convection Deck



Optional Satin Bypass Handle



Optional Satin Door Handle with Optional Satin Door Trim



Sirocco 20.1 shown with optional convection deck, optional ash drawer, cast iron legs, and cast iron door with satin trim, satin door handle and satin bypass handle.



Chinook 20.1 with optional ash drawer

CHINOOK 20.1

Modern Elegance There is a strong European influence in its design; from the integrated legs to the large, rectangular glass viewing area.

The convection deck, with integrated cast iron grill, comes standard on the Chinook. Add the optional, dual fan system to further spread the super-heated air into your room.

The optional ash drawer opens on engineered runners with a smooth, gliding motion.

The elegant design of the Chinook is further enhanced with the standard satin door and satin bypass handles. The handle grips are made from ash hardwood and coated in black enamel.



Standard Silver sides



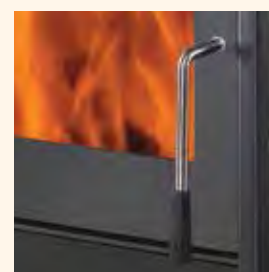
Optional Pearl Red sides



Optional Carbon Black sides



Optional ash-drawer on easy glide runners



Satin door handle



Cast iron convection air grill



Optional Pearl Red sides with satin bypass handle



Chinook 20.1

Specifications: Chinook 20.1	Optimum Performance (LHV)	Real World Tested Performance (HHV)
Maximum heat input**	309,404 BTU's	309,404 BTU's
Efficiency	83%	77% (EPA listed efficiency)
Constant Heat output on High***	32,101 BTU's/hour for 8 hours	29,780 BTU's/hour for 8 hours
Constant Heat output on Low****	12,840 BTU's/hour for up to 20 hours	11,912 BTU's/hour for up to 20 hours
Square Feet Heated*	900 – 1500	
Maximum Log Size	Up To 16**	
Burn Time*	Up to 20 hours on low	
Emissions (grams/hour)	1.28 g	
Firebox Size	1.8 cu. ft.	
Flue Size	6*	
CO% Weighted Average	0.13%	

ASHFORD 20.1

Design Our craftsmen used the timeless medium of cast iron to create a beautiful and elegant piece of furniture with detailed relief and curves. The Ashford is available in: Metallic Black, Carbon Black or Colonial Pewter paint finishes and Stone White or Chestnut Brown Enamel finishes.

Burled walnut is carved for the door handles which creates a luxurious feel every time you use your stove.

The attention to detail can be seen in the standard ash drawer which is mounted on easy glide runners for smooth, refined operation.

You can add an optional decorative side shelf to your stove for added detail.



Specifications: Ashford 20.1	Optimum Performance (LHV)	Real World Tested Performance (HHV)
Maximum heat input**	309,404 BTU's	309,404 BTU's
Efficiency	83%	77% (EPA listed efficiency)
Constant Heat output on High**	32,101 BTU's/hour for 8 hours	29,780 BTU's/hour for 8 hours
Constant Heat output on Low***	12,840 BTU's/hour for up to 20 hours	11,912 BTU's/hour for up to 20 hours
Square Feet Heated*	900 – 1500	
Maximum Log Size	Up To 16**	
Burn Time*	Up to 20 hours on low	
Emissions (grams/hour)	1.3 g	
Firebox Size	1.8 cu. ft.	
Flue Size	6"	
CO% Weighted Average	0.13%	

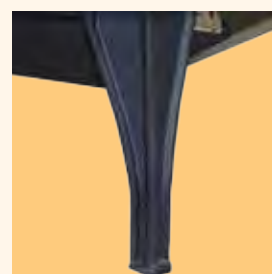
Ashford 20.1 Carbon Black paint



Ash drawer on easy glide runners



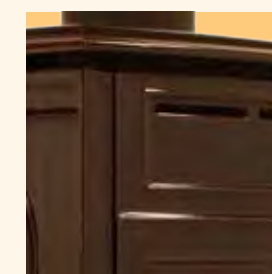
Burled walnut door handle with satin plated inset



Ornate leg detail



Ashford 20.1 Colonial Pewter paint



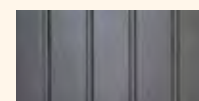
Strong character lines enhance the design



Detail relief design



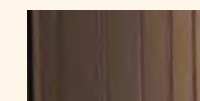
Metallic Black Paint



Colonial Pewter Paint



Carbon Black Paint



Chestnut Brown Enamel



Stone White Enamel

Blaze King 20.1 Series Specifications

Clearances – Sirocco 20.1, Chinook 20.1 and Ashford 20.1

Minimum Clearance to Combustibles (See owner's manual for complete list prior to install)

A – Side Wall to Side of Unit	12 ³ / ₄ "
B – Rear Wall to Back of Unit	6.5"
C – Side wall to center of flue	25 ¹ / ₄ " (SC20.1); 24 ³ / ₄ " (CK20.1); 26 ¹ / ₈ " (AF20.1)
D – Rear wall to center of flue	15 ⁷ / ₈ "
E – Adjacent Wall to Corner of Unit	6"
F – Adjacent wall to center of flue	18 ¹ / ₂ " (SC20.1); 17 ⁷ / ₈ " (CK20.1); 18 ¹ / ₈ " (AF20.1)
J – Minimum Alcove Height	37"
K – Horizontal Flue to Ceiling (USA)	18"
L – Center of flue to edge of door opening	14 ³ / ₄ "

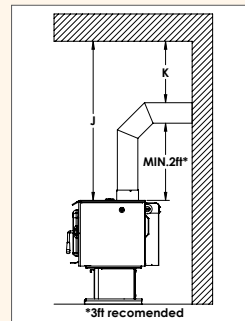
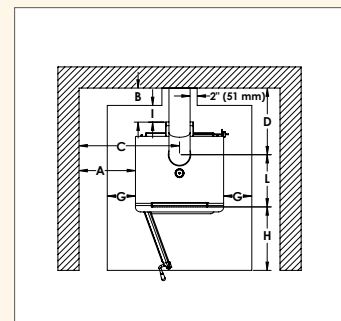
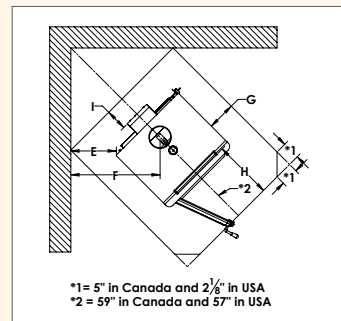
Hearth Protection

G – Edge of Hearth Pad to Side of Unit (USA)	4" (USA)	8" (Canada)
H – Door opening to edge of ember protection	16" (USA)	18" (Canada)
I – Rear of stove to edge of ember protection	0" (USA)	8" (Canada)

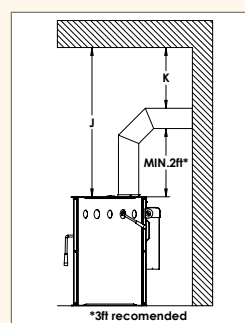
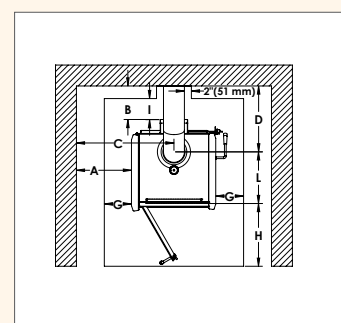
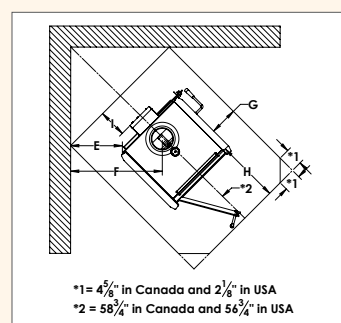
*Mobile Home: Must use Fan Kit or Rear Shield & Double Wall Pipe and Fresh Air Intake Kit
 *Check Local Codes/Pipe Manufacturer Requirements for Clearances. In all of Canada and most of USA, 18" Clearances from single Wall Pipe are required. For C,D, and F measurements please refer to the owners manual.

Clearances

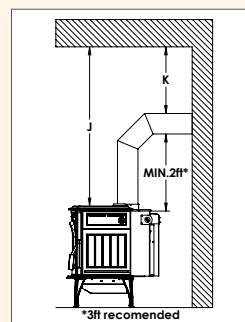
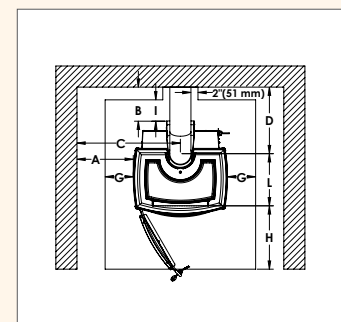
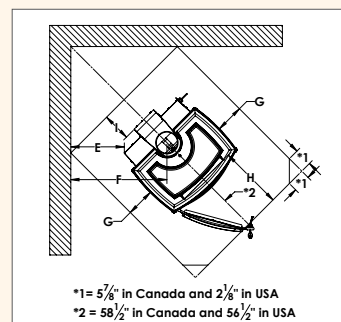
Sirocco 20.1



Chinook 20.1

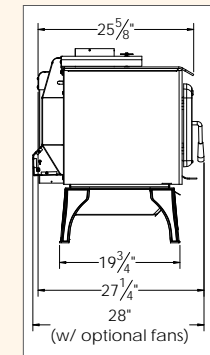
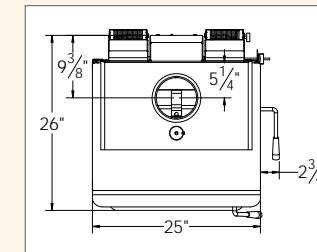
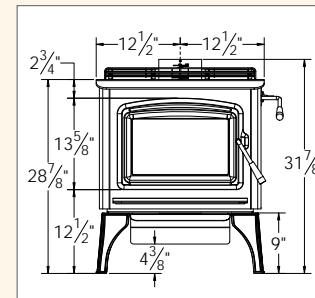


Ashford 20.1

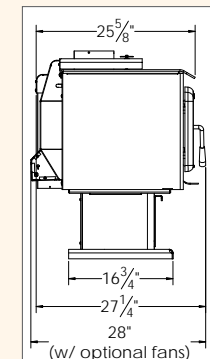
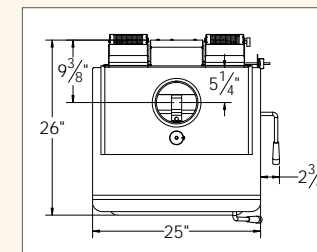
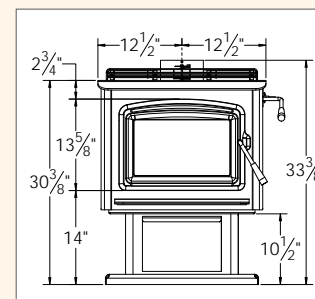


Dimensions

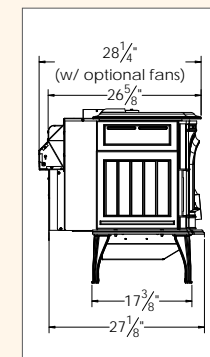
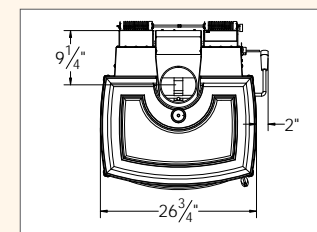
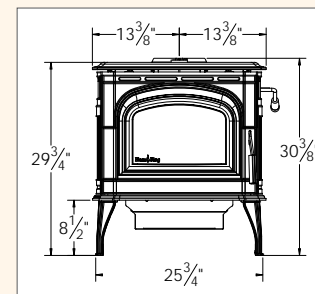
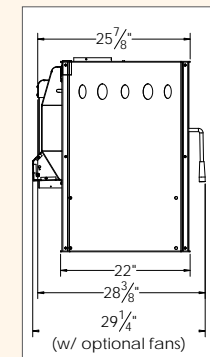
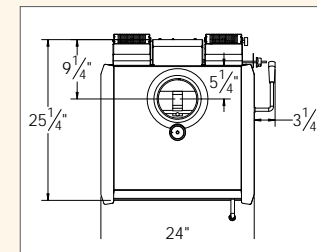
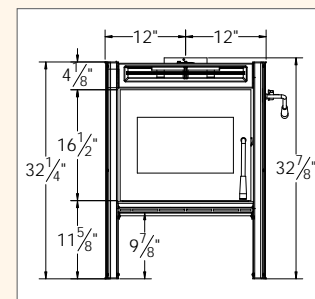
Sirocco 20.1



Chinook 20.1



Ashford 20.1



Specifications – Sirocco 20.1, Chinook 20.1 and Ashford 20.1

Sq. ft. heating capacity	900 to 1500 sq. ft.
Wood length	Up to 16"†
Wood capacity (soft wood)	30 lbs.
Wood capacity (hard wood)	40 lbs.
Flue size	6"
Door opening	15.5" x 8"
Firebox depth (front to back)	16" (brick to brick), 18.5" (brick to glass)
Firebox width	17.5"
Firebox height	10.75"
Firebox capacity	1.8 cubic feet
Emissions	1.28 grams/hour
Maximum heat input*	309,404 BTU's
Heat output on high**	32,101 BTU's/hour for 8 hours
Low burn time°	Up to 20 hours
High burn time°	Up to 8 hours

Sirocco 20.1 Specs

Approximate weight - Sirocco	375 lbs. on pedestal 350 lbs. on legs
------------------------------	--

Chinook 20.1 Specs

Approximate weight - Chinook	320 lbs.
------------------------------	----------

Ashford 20.1 Specs

Approximate weight - Ashford	450 lbs.
------------------------------	----------

*You can fit 40 lbs. of wood into the 20.1 size firebox (1.8 cu.ft.). Based on an EPA recognized equivalent of one pound of non-resinous wood equal to 8,500 BTU's and one pound of resinous wood equal to 9,700 BTU's per pound, giving a weighted average of 9,100 BTU's per pound. (9,100 BTU's per lb. x 40 lbs. = 364,000 BTU's - 15% moisture Content = 309,404 BTU's).

**LHV 309,404 x 83% efficiency = 256,805 BTU's ÷ 8 hours = 32,101 BTU's. HHV 309,404 x 77% efficiency = 238,241 BTU's ÷ 8 hours = 29,780 BTU's.

***LHV 309,404 x 83% efficiency = 256,805 BTU's ÷ 20 hours = 12,840 BTU's. HHV 309,404 x 77% efficiency = 238,241 BTU's ÷ 20 hours = 11,912 BTU's.

°Length of burn time, sq. ft. heated, Heat Output and BTU's depend on type of wood, moisture content, house insulation and climate conditions.

†It is possible to fit a 16" log into a Sirocco 20.1 and Chinook 20.1 stove but the best burning characteristics are gained when you use log lengths of 15".



Options

Sirocco Options.

- Pedestal with Ash Drawer
- Cast Iron Legs
- Cast Iron Legs with Satin Accent
- Ash Drawer for Leg Model
- Cast Iron Door
- Cast Iron Door with Satin Trim
- Convection Deck
- Dual Fan Kit (Requires convection Deck)
- Fresh Air Kit
- Rear Heat Shield

Chinook Options.

- Choice of side panel colors - Silver (Standard), Carbon Black (Optional) or Pearl Red (Optional)
- Ash Drawer with runners
- Dual Fan Kit
- Rear Heat Shield
- Fresh Air Kit

Ashford Options

- Choice of colors - Metallic Black Paint, Carbon Black Paint, Colonial Pewter Paint, Stone White Enamel or Chestnut Brown Enamel
- Side Shelf
- Dual Fan Kit
- Fresh Air Kit

NOTES:

The Benefits of Owning a Blaze King

Radiant Heat Radiant heat is like sunshine. Most surfaces of your Blaze King stove radiate heat so you feel the inner warmth you expect from a real fire.

Convection Heat The optional dual fan system recirculates room air over the hot surface of your stove. Blaze King recommends the optional dual fans to spread this super-heated air evenly around your home. The dual fan kit is especially effective when used on our Chinook and Ashford models.

Radiant Heat and Convection Heat The Sirocco, Chinook, and Ashford deliver the same amount of heat and have the same efficiencies. Each model delivers the same efficient warmth but does so in different ways.

The Sirocco has a ¼" plate steel top for the firebox/stove, that is in direct contact with the room air. Soon after a fire is established, the surface of the stove heats up and quickly radiates the heat to the room.

The Chinook is built with a second layer of steel surrounding the firebox. This layer helps channel the convection air over the firebox to the front of the stove. The air becomes super heated as it is in contact with the firebox for a longer period of time, thus removing more of the heat through the convection process. As the second layer is heated it will radiate its stored energy back into the room.

The Ashford has a second layer of cast iron surrounding the firebox. The convection air is super heated as it is channeled over the firebox for a longer time. The cast iron layer takes time to heat up. After it is heated it is very efficient at retaining this heat and radiating it back into the room over an extended period of time.

Bio Energy By using renewable wood fuel in your clean-burning Blaze King you are reducing the amount of fossil-fuel emissions from other energy sources, lessening your impact on the environment. Because our stoves are amongst the cleanest and most efficient available, they merely release the CO² that plants absorbed over their life span.

Close Features The unique design of a Blaze King makes it possible for it to be placed close to a corner of a wall. This makes it ideal for a medium-sized room or for installation in tight alcoves.

The Sirocco, Chinook and Ashford have a layer of bricks at the bottom of the firebox. As a result, all that is needed for floor protection is a spark protector. This will save you hundreds of dollars on your installation costs.

Long Burn Times The 20 size firebox is capable of burning for up to 20 hours, on low, when conditions allow. In the real world the most important thing is to get over-night heat. By pushing the boundaries of long burn times, Blaze King is able to deliver that all important good nights sleep. The 20 firebox can deliver a heating time of 8 to 12 hours even on the coldest days.

Efficiencies The true efficiency for a wood stove is the number published by the US Environmental Protection Agency (EPA) on its web site. When comparing efficiencies of different brands you should always compare the EPA "Actual Measured Efficiency (HHV)" and not the Optimum or Low Heat Value (LHV) number quoted by most manufacturers on their brochures. The LHV is not representative of how a stove performs in your home. The EPA actual measured efficiency (HHV) number is a true reading of how your stove performs in the real world. Blaze King has the top 2 most efficient wood stoves in North America and builds 5 of the top 8 most efficient stoves. Follow the link to the EPA web site for confirmation at: <http://www.epa.gov/Compliance/resources/publications/monitoring/caa/woodstoves/certifiedwood.pdf>.

Here you will see most other wood stoves listed at a default of 63% while the Blaze King stoves show efficiencies from the mid 70 percentile up to the highest available efficiency of any wood stove at 82%.

BLAZE KING

Sirocco 20.1, Chinook 20.1, Ashford 20.1 Features



Catalytic Technology Blaze King has been making large wood stoves for over 35 years. Over this time period we have built a tradition of craftsmanship and performance that is unequalled. In 1983, Blaze King invented the first hybrid wood stove using air tubes and a catalytic converter. A year later Blaze King received the first certificate of compliance, number 001, for the first clean burning wood stove in North America. We received this certificate from the Oregon Department of Environmental Air Quality which was a forerunner to today's regulatory body, the EPA. A refined version of this technology is what you see in every catalytic Blaze King today.



Thermostat control (No electricity required) Blaze King's built-in thermostat constantly monitors the heat output of your stove. It automatically adjusts the air required for combustion. This unique technology, where we combine the efficiencies of a catalytic combustor with a built-in thermostat, provides the longest burn times of any wood stove. You get a full night's sleep without having to reload your stove. It also means that when you return from work, your stove is still hot and your home is warm.



70% turn down Fine-tuned automatic airflow, as our thermostat and catalyst work in tandem, allows you to turn down your Blaze King catalytic stove by up to 70%.

Non Blaze King stoves only turn down by 33% and have little control over their heat output. Because of this most people use expensive electric heat in the spring and fall because they cannot control the heat output of their secondary air wood stove.

With a 70% turn down ability a Blaze King is perfect to heat your home in the shoulder season saving you money on heating costs.



Easy to operate Light a fire as per the instructions in your owner's manual. After you have established a good fire and the thermometer needle is well into the active zone, simply select your heat setting. Your Blaze King will now automatically control the heat from your stove until you need to load it again, which could be up to 40 hours later depending on the model you selected.

Burn 33% less wood The combination of our exclusive thermostat and catalytic combustor technology makes your Blaze King stove one of the most efficient wood stoves in the world. The proof of this is in our flue temperatures. Non Blaze King stoves have flue temperatures of between 600° F and 900° F while your Blaze King flue temperatures are between 150° F and 300° F. Non Blaze King stoves pump valuable heat up the flue. Your Blaze King catalytic stove keeps the heat in your home saving you money. By making your stove this efficient you will burn up to 33% less wood, cut, stack, load and clean 33% less wood. This is a major advantage that only a Blaze King offers.

Less Cleaning All Blaze King stove's produce very fine ash because we extract every last drop of energy from the wood. As a result you can go for very long periods before you have to empty your stove.

Door Design Every Blaze King has a steel frame around the door opening. Not only does this add strength to the firebox, but it creates a tight seal as it is pressed into the door gasket. Our engineers built the door latch so it is adjustable. You can adjust the tension on the gasket thus reducing the need for expensive replacements. The latch is also more durable because it is placed on the outside of the firebox.



10 Year Extended Warranty

Because we believe in the technology and craftsmanship built into every Blaze King stove we are now pleased to offer a 10 year extended warranty on your catalytic combustor beginning in 2012.

Blaze  King
www.blazeking.com

