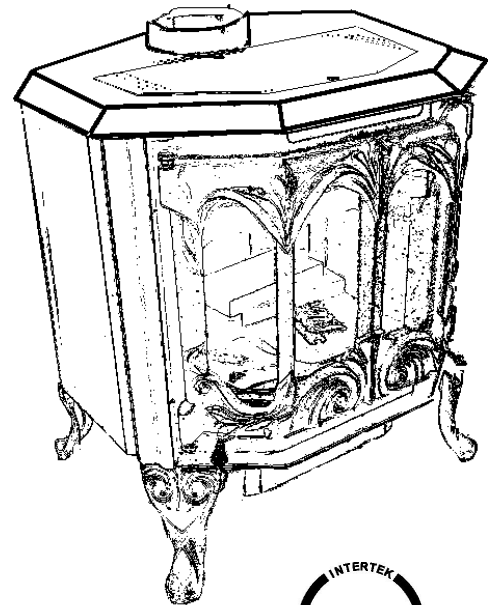
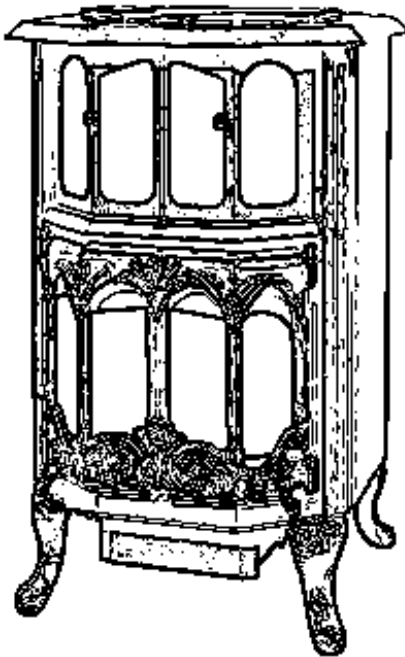




OWNER'S MANUAL

Warmth, from the heart of J.A. Roby

MYSTERE WITH OR WITHOUT OVEN



March 9th, 2009 Reviewed

MYSTERE
wood burning stove

CAN/ULC S627-M00

490, rue de l'Argon
Québec (Québec) G2N 2C9
Phone: 418-849-8095 Fax : 418-849-0077
www.jaroby.com

CONTENTS

WARNING	4
NOTICE	6
CREOSOTE.....	6
MYSTERE - CHARACTERISTICS	7
CHIMNEY	8
INSTALLATION	8
VERTICAL INSTALLATION INSIDE A MASONRY CHIMNEY	9
EXTERIOR VERTICAL INSTALLATION	9
VERTICAL INSTALLATION ON A CATHEDRAL ROOF	10
CROSS STYLE INSTALLATION.....	10
VERTICAL INSTALLATION	11
CLEARANCES	12
SEATING	13
FIREBRICKS	13
FANS AND THERMODISC.....	14
LIGHTING	15
PREVENTIVE MEASURES AND MAINTENANCE.....	15
INTERCHANGEABLES PARTS LIST.....	16
LIMITED LIFE WARRANTY	17

CAREFULLY READ THIS MANUAL AND KEEP IT FOR FURTHER REFERENCES

INSTALLATION OF THIS APPLIANCE MUST BE DONE BY A QUALIFY CERTIFIED TECHNICIAN AND IN CONFORMITY WITH THE OWNER'S MANUAL GUIDE GIVEN WITH THIS APPLIANCE. THE INSTALLATION MUST BE IN AGREEMENT WITH LOCAL AND NATIONAL REGULATIONS APPLICABLE FOR SOLID FUEL BURNING APPLIANCES AND CONNEX EQUIPMENT (CAN/CSA-B365, NFPA211(USA) AND THE APPLICABLE BUILDING CODE .

WARNING! NEVER MODIFY THIS APPLIANCE !

WARNING

Before installing, please take a few minutes to read this handbook. Keep it in a sure place and easily reachable for future references. Not following these instructions could be a cause of property damages, injuries or death. If this appliance is not properly installed, it could cause fire damages to the property, injuries and death. To reduce fire hazards, follow instructions contained in this handbook.

Contact an official inspector (ex: a fireman) or your insurance company for installation permit. Always respect the provincial and municipal building codes of your region.

Do not connect this appliance to a chimney that already serves for another wood appliance.

Do not install the appliance in a mobile house.

The existing chimney should be well inspected before any installation. In doubt, consult a specialist.

The room where the appliance must be installed must measure a minimum of 64 ft² and must be very well ventilated.

Minimum clearances found in this manual must be observed.

Never use a non-isolated exterior conduct or a single wall flue pipe as an exterior exit.

Put in place the firebricks before lighting the appliance (if they are not in place yet).

WARNING : Very hot while in function

- Keep children far away from the appliance.
- Never let the appliance without supervision when the door is open.
- Always close the doors after the lighting period.
- Do not use chemical products or other liquid to light the fire.
- Do not burn waste or inflammable fluids like gas, naphtha or motor oil.
- Always keep combustible material (clothes, furnitures, wood, matches, plastics, etc...) at a minimal distance of 91,5 cm (3 feet) from the appliance.

This appliance is certified to burn wood. Do not use any other combustible.

Wood should not be stocked within the recommended minimums clearances or in the necessary space for the loading and the ashes evacuation.

Always use dried wood. Do not burn green or wet wood. Do not use construction debris such as pieces of 2x4, plywood...

If the appliance starts to blush, it's because it is too charged. Do not add fuel. Immediately close the doors and the air intake of the appliance until everything becomes normal again.

Do not load the appliance beyond the firebricks height.

Ashes must be evacuated frequently, put in a steel container provided with a tight cap and be placed outside at once. You must never place other waste in this container.

Considering the need of air for the combustion, a window or a door must be half opened sometimes (fresh air drainage) to balance the pressure in the house, especially if:

- A fan already evacuates air towards outside (kitchen, bathroom.)
- You want to avoid a repression of smoke when lighting the appliance and when reloading the wood.

It is recommended to have a smoke detector near the appliance.

You should contact your municipal or provincial fire department to have knowledge of the procedure to be followed in case of a chimney fire. Think of an emergency plan.

In case of a chimney fire:

- Hermetically close the doors and the air intakes.
- Water the combustible material adjacent to the chimney.
- Ring the alarm, evacuate the house if necessary and call the firemen.
- Never touch the pipes until the fire is not completely extinct.
- Do not use the chimney until it has been inspected or repaired.

Keep all the doors closed while the appliance is in function. Frequently verify the ceramics cords, they must always be in good condition.

The chimney pipe should not pass close to water, gas or oil pipes, nor close to electric wire or other types of conduits, of combustible materials in the roofs, the attics, the walls or the floors. If you have to make it pass through a wall or a part of combustible construction, do not forget that the installation must be in accordance with the CAN/CSA-B365. Use at least 12 feet of a 6 inches diameter vertical chimney.

NOTE:

FOLLOW THESE INSTRUCTIONS IN ORDER TO AVOID FIRE HAZARDS, WOUNDS AND PROPERTY DAMAGES.

NOTICE

The *Mystere* was conceived to safely function the doors closed and only when burning firewood. Any change, modification or unauthorized installation will automatically cancel the certification of the appliance, its guarantee, its homologation and the appliance might become dangerous.

During the first hours of operation, you must heat it gradually. In order to allow an appropriate cooking of the paint and in order to facilitate its adhesion with metal, do not heat the appliance with a strong fire. It will also avoid thermal shock which could lift up the paint or make it whiten.

Make sure that the room is ventilated enough in order to eliminate the odours and the smoke coming from the paint during the first hours of utilization. It is normal that a light smoke is released from the paint during the first hours of use.

Even if this nuisance is temporary, open the windows and the doors in order to ensure a good ventilation. This special paint is conceived to tolerate temperatures until 1200°F (650°C).

CREOSOTE

The wood burning slowly produces tar and other organic steams, which forms a whole called “creosote”. The steam condenses in the cool chimney when the wood is burning slowly. In this way, creosote residues are formed on the walls. Creosote can take several forms: tarry liquid, soot dust or deposits in crystal form. When in fire, the creosote releases a very strong heat and can be the cause of a chimney fire.

- **Do not knock on the glasses or violently close the doors.**
- **Do not use the appliance when a glass is broken or damaged.**
- **Do not build the fire too close of the glasses.**
- **Keep the doors closed when using the appliance.**
- **Do not connect the *Mystere* with a chimney or a flue serving another heating appliance**

MYSTERE - CHARACTERISTICS

OPTION	WITH OVEN	WITHOUT OVEN
Combustible	WOOD	WOOD
Recommended surface	500ft ² à 1850ft ² (46m ² à 172m ²)	500ft ² à 1850ft ² (46m ² à 172m ²)
Capacity	52 000 BTU/h	52 000 BTU/h
Evacuation pipe diameter	6" (15cm)	6" (15cm)
Chimney minimal height	12ft (8,91m)	12ft (8,91m)
Exterior height	46" (117cm)	31" (79cm)
Exterior width	26" (66cm)	26" (66cm)
Exterior depth	27 ¾" (70cm)	27 ¾" (70cm)
Door opening	17 ½" X 9 ½" (45cm X 24cm)	17 ½" X 9 ½" (45cm X 24cm)
Interior height	12" (31cm)	12" (31cm)
Interior width	18" (46cm)	18" (46cm)
Interior depth	17 ¾" (45cm)	17 ¾" (45cm)
Maximum log length	16" (40,6cm)	16" (40,6cm)
Combustion duration	3 to 5 hours	3 to 5 hours
Weight	400 lbs (181kg)	380lbs (172kg)
CLEARANCES		
Back	8" (20,32cm)	8" (20,32cm)
Lateral	12" (30,5cm)	12" (30,5cm)
Ceiling	84" (2,14m)	84" (2,14m)

CHIMNEY

Only use approved chimneys of the same dimensions as the appliance exit. Therefore, you should use 6 inches diameter chimneys for your *Mystere*. Chimneys must be tested upon the CAN/ULC S629 M87. The *Mystere* wood appliance can be installed onto a masonry chimney following the ULC S635, ULC S640 and UL 1777 norms. Do not forget to plan a place for the sweeping of the chimney.

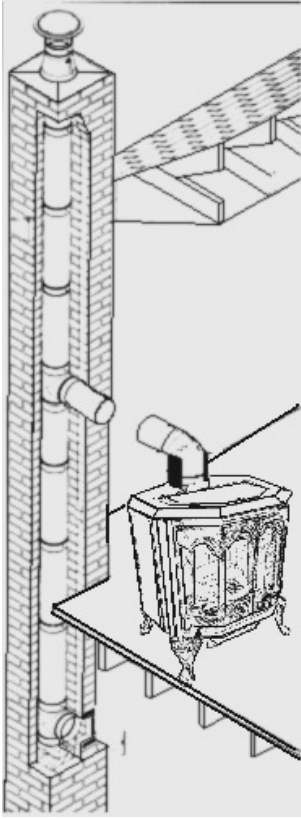
When possible, it is preferable to avoid an outside chimney or built on an exterior wall, and this is even more important for colder areas. Outside chimneys generally have a less efficient draught. They can even have an inverse draught because it is hard to heat them enough so that they can reach their operating temperature. A greater accumulation of creosote, a less efficient draught and a lesser performance are some characteristics of cold chimneys. Draught is proportional to the total chimney height as well as its temperature. It is therefore possible to get a better draught by increasing the chimney's height and by reducing the heat loss with an insulated lining. The chimney has to be installed with a stainless steel lining. Make sure that all smoke pipe joints are really airtight. A leak reduces the efficiency of the appliance and could even make its utilization dangerous.

INSTALLATION

A good installation is extremely important for a safe and efficient use of your J.A. Roby Inc. appliance. If you doubt on the way to install the appliance correctly, seek for professional installation service. We suggest you to call masters fitters.

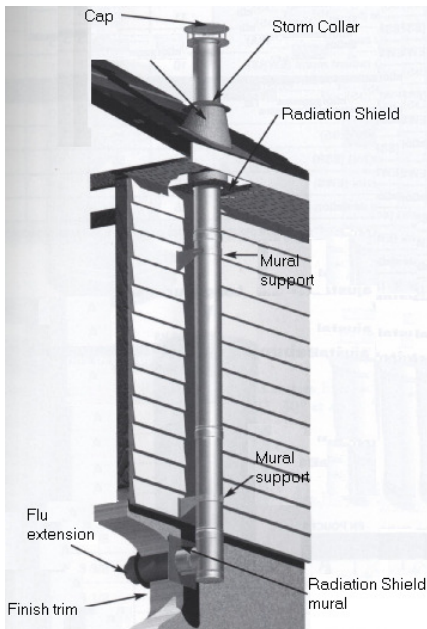
1. Withdraw firebricks placed inside the appliance in order to reduce the weight and to facilitate the installation.
2. You must install a fireproof plate under the appliance, which must exceed of 18 inches at the front and of 8 inches at each side and at the back.
3. The free space shall not be reduced except under the approval of the authorities responsible for the application of the building code.
4. Install the chimney and an insulated wall firebreak for an installation passing through a wall according to the instructions from the chimney manufacturer.
5. Install the firebricks in accordance with the recommended instructions for your model.
6. The appliance should not be connected to an hot air conduct.

VERTICAL INSTALLATION INSIDE A MASONRY CHIMNEY



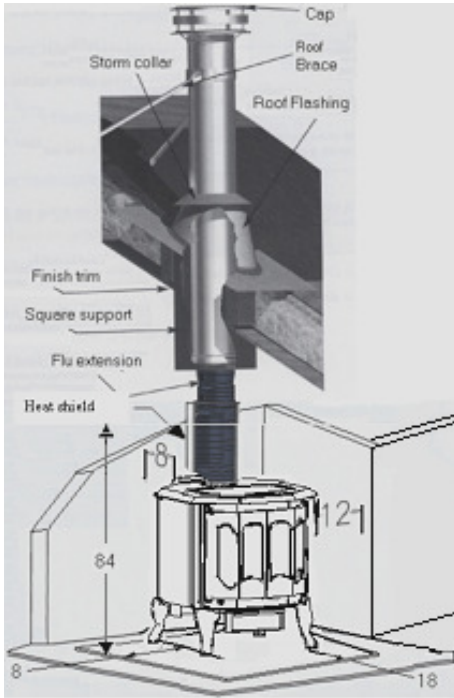
The *Mystere* wood appliance must be installed in accordance with the applicable local laws or the ULC S635, ULC S640, NFPA211 (USA) norms. Install the chimney following the manufacturer's instructions.

EXTERIOR VERTICAL INSTALLATION



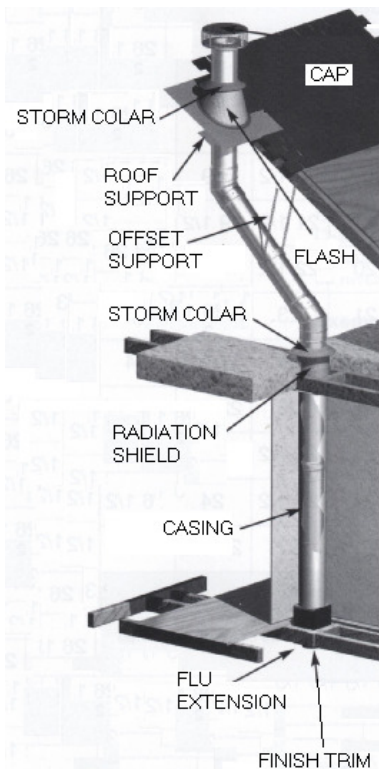
The *Mystere* wood appliance must be installed in accordance with the applicable local laws or the CAN/CSA-B365, NFPA211 (USA) norms. Install the chimney following the manufacturer's instructions.

VERTICAL INSTALLATION ON A CATHEDRAL ROOF



The *Mystere* wood appliance must be installed in accordance with the applicable local laws or the CAN/CSA-B365, NFPA211 (USA) norms. Install the chimney following the manufacturer's instructions.

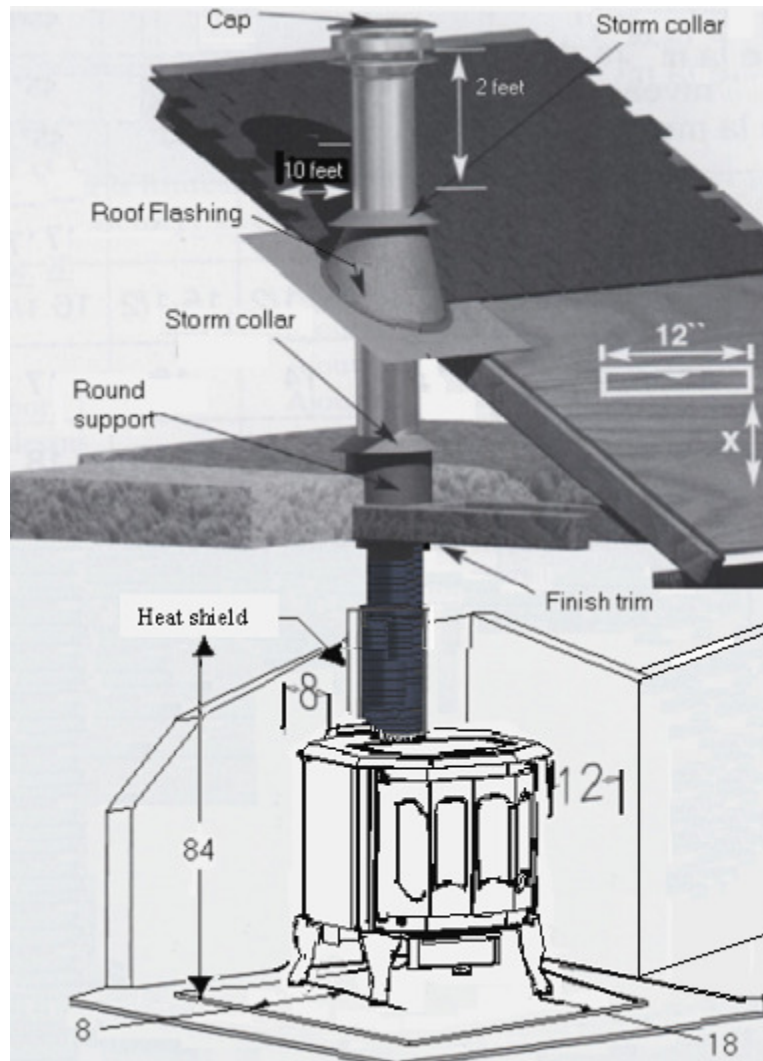
CROSS STYLE INSTALLATION



The *Mystere* wood appliance must be installed in accordance with the applicable local laws or the CAN/CSA-B365, NFPA211 (USA) norms. Install the chimney following the manufacturer's instructions.

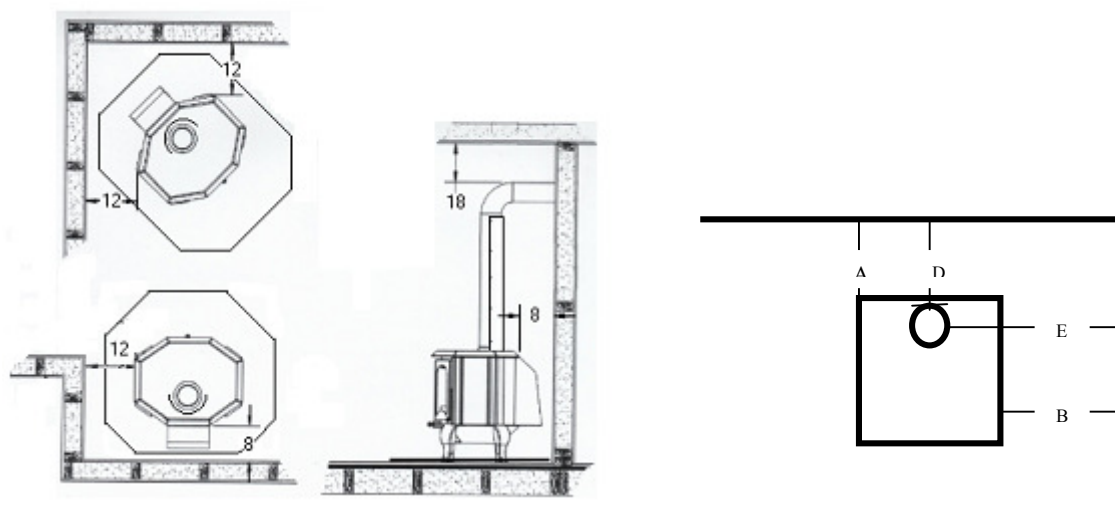
VERTICAL INSTALLATION

The *Mystere* wood appliance must be installed in accordance with the applicable local laws or the CAN/CSA-B365, NFPA211 (USA) norms. Install the chimney following the manufacturer's instructions.



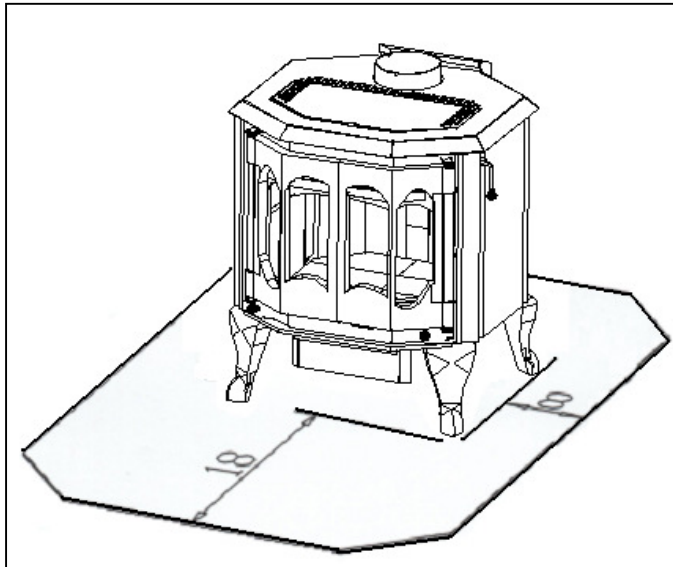
CLEARANCES

Due to its reduced clearances, this appliance occupies a minimum of space in the room where it is installed. No matter where you install it, this appliance will perfectly complete your decoration by its originality and its heat. This appliance only needs 8 inches clearance at its back and 12 inches from the lateral walls when installed with a single wall pipe and a certified CAN/ULC S641 heat shield.



CLEARANCES FROM COMBUSTIBLE MATERIALS (Measured from the top of the appliance)				
	Single wall pipe		Single wall pipe with certified Can/ULC S 641 heat shield at the back	
	Inches	Centimeters	Inches	Centimeters
A	18	45.7	8	20.3
B	12	30.5	12	30.5
D	20.5	52.0	10.5	26.7
E	22	55.9	22	55.9

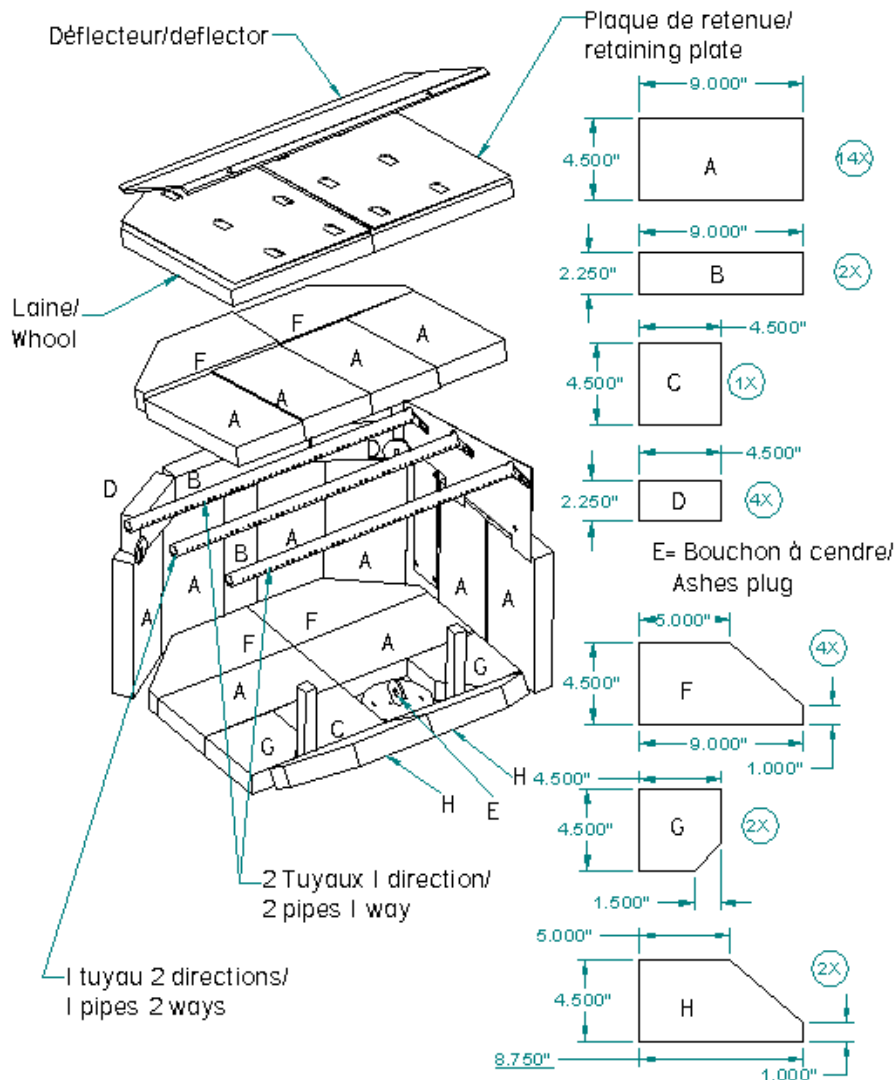
SEATING



You must install a fireproof plate under the appliance, which must exceed it of 18 inches at the front, of 8 inches at the sides and of 8 inches at the back.

*****Use only non-combustible materials such as ceramics, marble or granite.**

FIREBRICKS



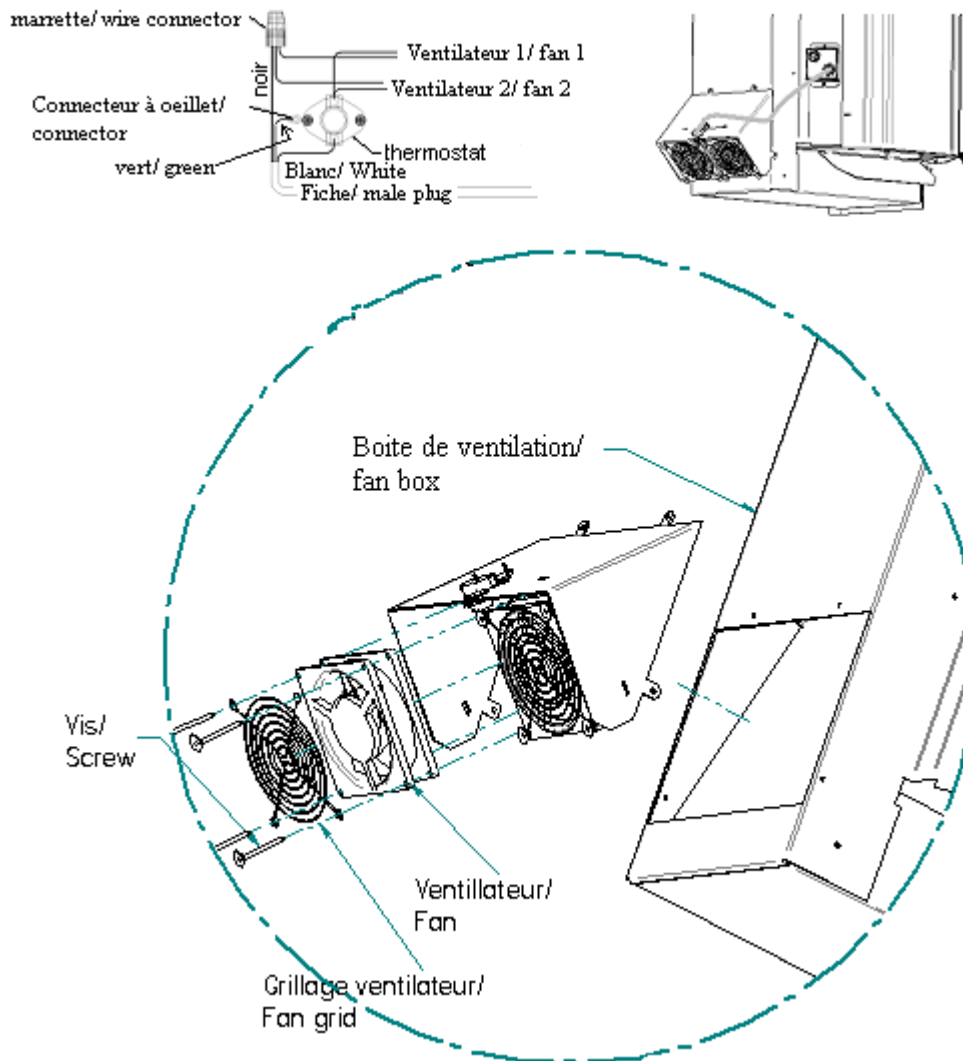
Place the firebricks as illustrated. They are identified by the letters **A to H** and the seal cap is identified by the letter **E**.

Install the firebricks on the sides and then, the ones on the back of the appliance. To finish with, put the firebricks of the top.

FANS AND THERMODISC

The 115 volts fans must be screwed with the grids under the ventilation conduct. The protection thermodisc box must be on the back of the ventilation conduct. Plug the terminal. When the appliance is in function, the heat reaching a temperature of 120°C activates the thermodisc. At this moment, the thermodisc activates the fans for a better distribution of heat in your home. As soon as the heat goes under 120°C, the thermodisc automatically stops the fans.

The electrical cord of the fans must never touch the appliance surfaces or pass under the appliance in order to avoid electrical shock or fire.



LIGHTING

Now that you have completed the installation of the appliance according to the recommendations, you are ready for the lighting!

1. Place papers and small wood in the appliance.
2. Before lighting, be sure that the chimney is warm enough.
3. When the fire is well lit, gradually add bigger wood logs until an ember bed is formed.
4. You can then control combustion by closing or opening the air intakes (a rod pulled down indicates a closed air intake). The wood will burn more quickly if the air intakes are opened to the maximum and more slowly if they are only slightly open.

Do not charge the appliance beyond the bricks.

PREVENTIVE MEASURES AND MAINTENANCE

We recommend to open the air intakes completely and to maintain an intense fire from 10 to 20 minutes per day.

Verify the accumulation of creosote every week that you use the appliance until you know at which frequency it must be cleaned (minimum once per year). Remove every creosote deposit in order to prevent chimney fires.

The cleaning of the heat exchanger, of the chimney flue pipe and of the pulling fan, if necessary, is particularly important at the end of each winter season in order to reduce the corrosion made during the summer months and caused by the accumulation of ashes (they must always be in good condition.) To clean the heat exchanger, remove the top bricks, clean them and then replace the bricks at their place. Do not remove the stainless steel pipes.

Do not alter or modify the air intakes of the appliance in order to get a stronger fire.

To clean the glasses, J.A. Roby Inc. recommends using products sold for this purpose or an oven cleaner. Avoid cleaning with abrasives or when the glass is hot.

The *Mystere* wood appliance is provided with an ashtray under the door. To empty it, remove the steel cap (in the middle of the appliance) and glide the ashes into the ashtray. Do not forget to replace the steel cap.

Before lighting the first fire, clean the gold plated surfaces using a very soft rag moistened with water. Do not use a paper towel to clean it. If they are not erased before the first fire, the fingerprints and other marks could stain these surfaces permanently.

In case of a glass replacement:

Remove the screws that retain the glasses and then, the fragments of glasses. Check if the seal cords are damaged.

If so, replace them by a ½ inch ceramics cord and replace the broken glasses by VITROCERAMICS glasses of 5mm.

Cut the glass edge 3mm smaller on each side, so that the asbestos cord can be slipped on the edge of the glass at the time of its installation. Fix the glass by screwing it.

Contact your retailer to obtain any information you might need for the replacement of the glasses.

DO NOT USE SUBSTITUTES.

INTERCHANGEABLES PARTS LIST

- FIREBRICKS
- GLASSES
- DOOR'S HANDLE
- APPLIANCE'S DOOR
- FANS
- CORDS
- CAP
- BRICKS SUPPORT

***TO ORDER PARTS, PLEASE CONTACT YOUR AUTHORIZED RETAILER.**



LIMITED LIFE WARRANTY

J.A. ROBY INC. warrants for life (following conditions written in the present manual) its high quality appliances against all manufacturing defectiveness. This warranty is only valid for the first buyer of the appliance with a purchase proof and the serial number of the appliance.

This warranty is valid only for a normal residential utilisation. All damages caused by a misuse, a wrong installation, a wrong maintenance, a negligence or an accident during transportation are not covered by this warranty.

This warranty does not cover scratches, corrosion or discoloration caused by excessive heat, abrasives and chemical cleaners. All defectiveness or damage caused by the use of parts other than the manufacturer's original parts will automatically cancel this warranty.

This warranty is subject to the following exceptions: glass, paint, firebricks, door's plating, decorations, ceramic cord and installation. The fans and electrical parts are covered by a 90 days warranty (from invoice date).

The **1st year**, J.A. Roby Inc. engages to undertake the necessary repairs without additional charges. The appliance must be sent to our manufacture, located at 490, rue de l'Argon, Québec (Québec) G2N 2C9. The owner must prepay transportation charges. **J.A. Roby inc. will NOT accept any transportation charges.**

The 2nd year, J.A. ROBY Inc. assume **50%** of repairs according to the above conditions.

The 3rd year, J.A. ROBY Inc. assume **45%** of repairs according to the above conditions.

The 4th year, J.A.ROBY Inc. assume **40%** of repairs according to the above conditions.

Subsequent years, J.A.ROBY Inc. assume **30%** of repairs according to the above conditions.

You MUST return this card in order to register your appliance for the Warranty.

If your appliance has defectiveness, contact immediately your J.A. Roby distributor whom will guide you.

Before sending a product or a part at our manufacture, you must receive an authorization number from your sale representative or your J.A. Roby distributor. All merchandise sent without authorization will not be accepted and will be returned to the shipper.

WARRANTY CARD

APPLIANCE MODEL: _____

DATE OF PURCHASE: _____

STORE: _____

INSTALLATION DATE: _____ SERIAL #: _____

NAME: _____

ADDRESS: _____

PROVINCE: _____ POSTAL CODE: _____

INSTALLED BY: _____

BUYER'S SIGNATURE: _____

US ENVIRONMENTAL PROTECTION AGENCY

MEETS EPA PARTICULATE MATTER (SMOKE) CONTROL REQUIREMENTS FOR NONCATALYTIC WOOD HEATERS BUILT ON OR AFTER

SMOKE



EFFICIENCY*



(NOT TESTED FOR EFFICIENCY. THE VALUE INDICATED IS FOR SIMILAR NONCATALYTIC WOOD HEATERS.)

HEAT OUTPUT

8,983 to 24,164 Btu/Hr

USE THIS TO CHOOSE THE RIGHT SIZE APPLIANCE FOR YOUR NEEDS. ASK DEALER FOR HELP

THIS WOOD HEATER WILL ACHIEVE LOW SMOKE OUTPUT AND HIGH EFFICIENCY ONLY IF PROPERLY OPERATED AND MAINTAINED. SEE OWNERS MANUAL

US ENVIRONMENTAL PROTECTION AGENCY

MEETS EPA PARTICULATE MATTER (SMOKE) CONTROL REQUIREMENTS FOR NONCATALYTIC WOOD HEATERS BUILT ON OR AFTER

SMOKE



EFFICIENCY*



(NOT TESTED FOR EFFICIENCY. THE VALUE INDICATED IS FOR SIMILAR NONCATALYTIC WOOD HEATERS.)

HEAT OUTPUT

8,983 to 24,164 Btu/Hr

USE THIS TO CHOOSE THE RIGHT SIZE APPLIANCE FOR YOUR NEEDS. ASK DEALER FOR HELP

THIS WOOD HEATER WILL ACHIEVE LOW SMOKE OUTPUT AND HIGH EFFICIENCY ONLY IF PROPERLY OPERATED AND MAINTAINED. SEE OWNERS MANUAL