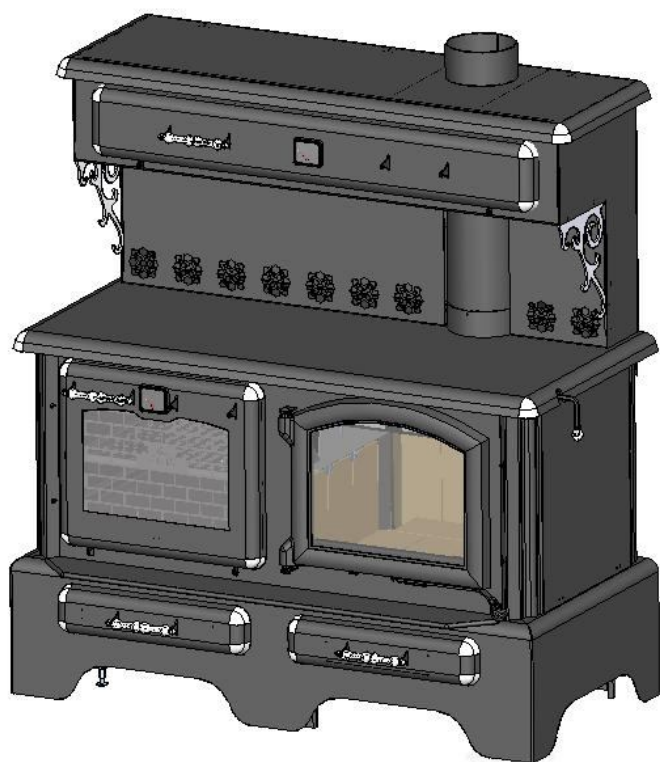




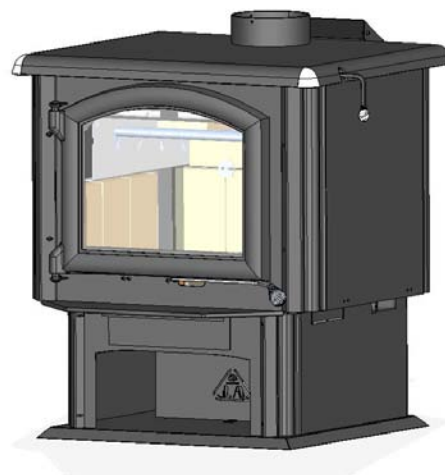
OWNER'S MANUAL

Warmth, from the heart of J.A. Roby

CUISINIÈRE



TISON



Intertek

Certified and tested according to CAN/CSA STD B415.1-10 and ULC STD S627-00.

April 18, 2012 Reviewed

CUISINIÈRE - TISON

Wood stove

490, rue de l'Argon
Québec (Québec) G2N 2C9
Phone: 418-849-8095 Fax : 418-849-0077
www.jaroby.com

CONTENTS

WARNING.....	3
NOTICE.....	5
CREOSOTE.....	5
CHARACTERISTICS	6
INSTALLATION	7
VERTICAL INSTALLATION INSIDE A MASONRY CHIMNEY	8
EXTERIOR VERTICAL INSTALLATION	8
VERTICAL INSTALLATION ON A CATHEDRAL ROOF.....	9
CROSS INSTALLATION	10
VERTICAL INSTALLATION.....	10
CLEARANCES	11
SEATING.....	12
LIGHTING.....	13
FANS AND THERMODISC	14
PREVENTIVE MEASURES AND MAINTENANCE.....	15
INTERCHANGEABLE PARTS LIST.....	16
INSTALLATION OF THE FIREBRICKS.....	17
USING THE REMOVABLE HANDLE	19
LIMITED LIFE WARRANTY	20

READ CAREFULLY THIS MANUAL AND KEEP IT FOR FURTHER REFERENCES.

INSTALLATION OF THIS APPLIANCE MUST BE DONE BY A QUALIFIED AND CERTIFIED TECHNICIAN AND IN CONFORMITY WITH THE OWNER'S MANUAL GUIDE PROVIDED WITH THIS APPLIANCE. THE INSTALLATION MUST BE IN ACCORDANCE WITH LOCAL AND NATIONAL APPLICABLE REGULATIONS AND THE APPLICABLE BUILDING CODE.

WARNING! NEVER MODIFY THIS APPLIANCE!



WARNING

Before installing, please take a few minutes to read this handbook. Keep this manual in a sure place and easily reachable for future references. If this appliance is not properly installed, it could cause fire damages to the property, injuries and death. To reduce fire hazards, follow instructions contained in this handbook.

Contact an official inspector (ex: a fireman) or your insurance company for installation permit. Always respect the provincial and municipal building codes of your region.

Do not connect this appliance to a chimney that already serves for another wood stove.

The existing chimney should be well inspected before any installation. In doubt, consult a specialist.

Never use a non-isolated exterior conduct or a single pipe as an exterior exit.

Minimum clearances found in this manual must be observed.

Install all firebricks before lighting the stove (if it is not already done).

Never use a non-insulated exterior duct or a pipe to evacuate chimney smoke.

Do not install in a mobile house.

Keep all combustible material (clothing, furniture, wood, matches, plastic, etc) at a distance of at least 91.5 cm (3 feet) from the appliance.

Do not use chemicals or fluids to light the fire. Never burn flammable waste or fluids such as gasoline, naphtha or engine oil

This appliance is approved to burn wood. Do not use any other combustible.

Wood should not be stocked within the recommended minimums clearances or in the necessary space for the loading and the ashes evacuation.

Do not burn wet or freshly cut wood. Do not use construction debris such as pieces of 2x4 or plywood.

If the appliance starts to blush, it's because it is too charged. Do not add fuel. Immediately close the doors and the air intake of the appliance until everything becomes normal again.

Do not charge the appliance beyond the firebricks height.

Ashes must be evacuated frequently, put in a steel container provided with a tight lid and be placed outside at once. You must never place other waste in this container.

Very hot when lighted. Keep the children away. Can cause burns by contact.

Considering the need of oxygen for the combustion, a window or a door must be a bit opened sometimes (fresh air intake) to balance the pressure in the house, especially if:

- A fan already evacuates air towards outside (kitchen, bathroom.).
- You want to avoid a smoke return when lighting the appliance and when reloading the wood.

It is recommended to have a smoke detector near the appliance.

You should contact your municipal or provincial fire department to have knowledge of the procedure to be followed in case of a chimney fire. Think of an emergency plan.

In case of a chimney fire:

- Hermetically close the doors and the air intakes.
- Water the combustible material adjacent to the chimney.
- Ring the alarm, evacuate the house if necessary and call the firemen.
- Never touch the pipes until the fire is not completely extinct.
- Do not use the chimney until it has been inspected or repaired.

Keep all the doors of the appliance closed while it's in function. Frequently verify the ceramics cords; they must always be in good condition.

The chimney pipe should not pass close to water, gas or oil pipes, nor close to electric wire or other types of conduits, of combustible materials in the roofs, the attics, the walls or the floors. If you have to make it pass through a wall or a part of combustible construction, do not forget that the installation must be in accordance with the CAN/CSA-B365. Use at least 12 feet of a 6 inches diameter vertical chimney.

NOTE:

FOLLOW THESE INSTRUCTIONS IN ORDER TO AVOID FIRE HAZARDS, WOUNDS AND PROPERTY DAMAGES.

NOTICE

The *Tison* and *Cuisiniere models* were designed to operate safely with the doors closed and only when burning firewood. Any change, modification or unauthorized installation will automatically void the certification of the appliance, its guarantee, its homologation and the appliance might become dangerous.

During the first hours of operation of your appliance, you must gradually heat it without exceeding 300°F (145°C), in order to let the paint cook slowly and to facilitate its adhesion with metal. It is normal that a light smoke is released from the paint during the first hours of use.

Even if this inconvenience is temporary, open the windows and the doors in order to ensure proper ventilation. This special paint is conceived to tolerate temperatures up to 1200°F (650°C).

CREOSOTE

The wood burning slowly produces tar and other organic steams, which called “creosote”. The steam condenses in the cool chimney when the wood is burning slowly. In this way, creosote residues are formed on the walls. Creosote can take several forms: tarry liquid, soot dust or deposits in crystal form. When in fire, the creosote releases a very strong heat and can be the cause of a chimney fire.

- **Do not knock on the glasses or violently close the doors.**
- **Do not use the appliance when glass is broken or damaged.**
- **Do not build the fire too close of the glasses.**
- **Keep the doors closed when using the appliance.**
- **Do not connect the *Tison* and *Cuisiniere* with a chimney or a flue pipe serving another heating appliance**

CHARACTERISTICS

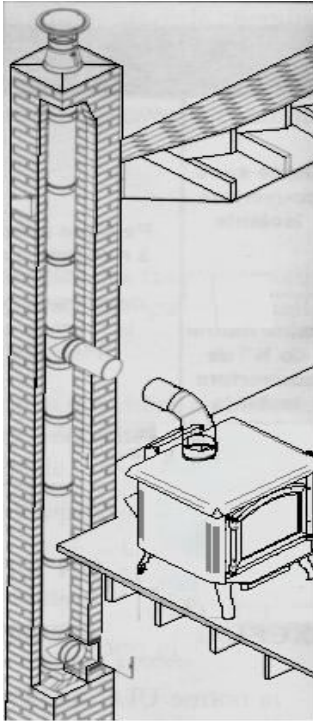
OPTION	CUISINIERE	TISON
Combustible	WOOD	WOOD
Recommended surface	500pi ² à 2000pi ² (46.4m ² à 185.8m ²)	500pi ² à 2500pi ² (46.4m ² à 232.3m ²)
Capacity	95 000 BTU/h	95 000 BTU/h
Evacuation pipe diameter	6" (12cm)	6" (12cm)
Chimney minimal height	12pi (8,91m)	12pi (8,91m)
Exterior height	50 3/4" (129cm)	29" (73 cm)
Exterior width	50" (127cm)	27 3/4" (70.5cm)
Exterior depth	26" (66cm)	26" (66cm)
Door opening	16 1/4" X 10 1/2" (41cm X 27cm)	16 1/4" X 10 1/2" (41cm X 27cm)
Interior height	12 1/4" (31cm)	12 1/4" (31cm)
Interior width	19" (48cm)	19" (48cm)
Interior depth	19 3/4" (50cm)	19 3/4" (50cm)
Maximum log length	19" (48cm)	19" (48cm)
Combustion duration	3 à 8 hours	3 à 8 hours
Weight	640 Lbs	380 Lbs
CLEARANCES		
Back	12" (31cm)	12" (31cm)
Lateral	Combustion Side 18" (122cm)	18" (122cm)
Ceiling	84" (2,14m)	84" (2,14m)

INSTALLATION

A good installation is extremely important for a safe and efficient use of your J.A. Roby Inc. appliance. If you doubt on the way to install the appliance correctly, seek for professional installation service. We suggest you to call masters installers.

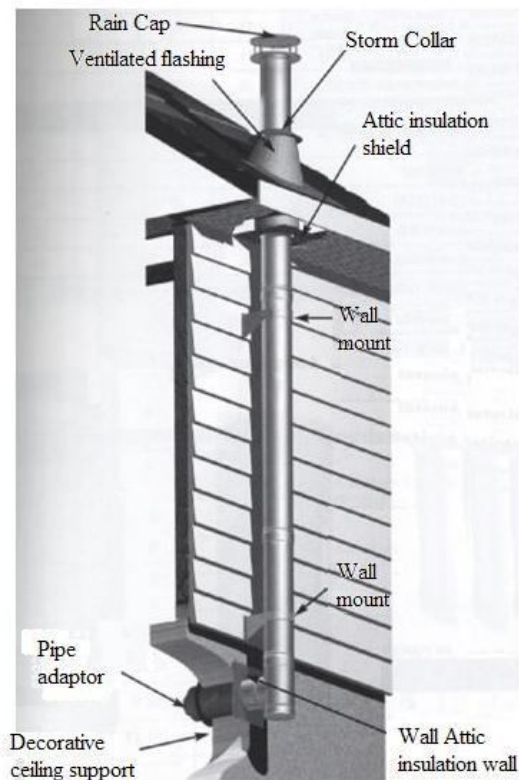
1. Withdraw firebricks placed inside the appliance in order to reduce the weight and to facilitate the installation.
2. You must install a fireproof plate under the appliance, which must exceed 18 inches at the front and 8 inches at each side.
3. The free space shall not be reduced except under the approval of the authorities responsible for the application of the building code.
4. Install the chimney and a thimble wall insulated for an installation passing through a wall according to the instructions from the chimney manufacturer.
5. Install the firebricks in accordance with the recommended instructions for your model.
6. The appliance should not be connected to an hot air conduct

VERTICAL INSTALLATION INSIDE A MASONRY CHIMNEY



The *Tison* and *Cuisiniere* models must be installed in accordance with the applicable local laws or the CAN/CSA - B365 ULC S635, ULC S640 standards. For the chimney, follow the chimney manufacturer's instructions.

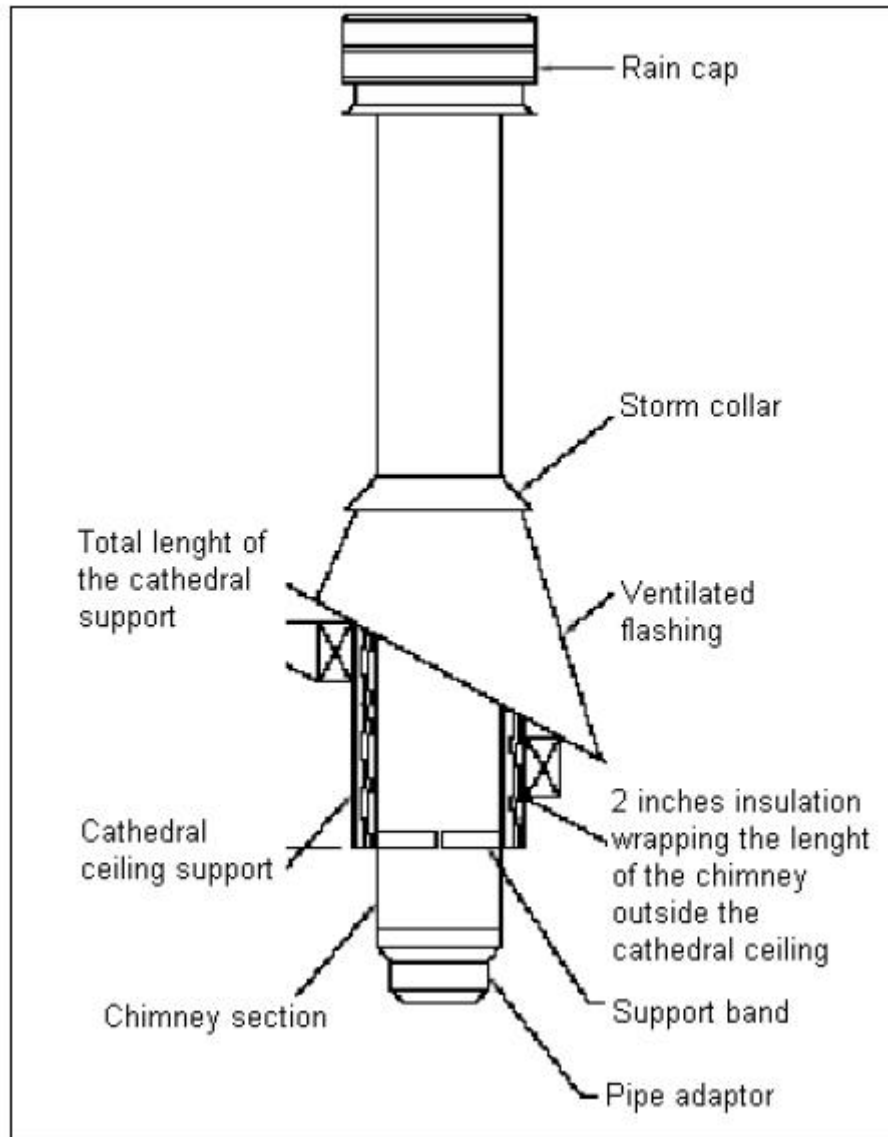
EXTERIOR VERTICAL INSTALLATION



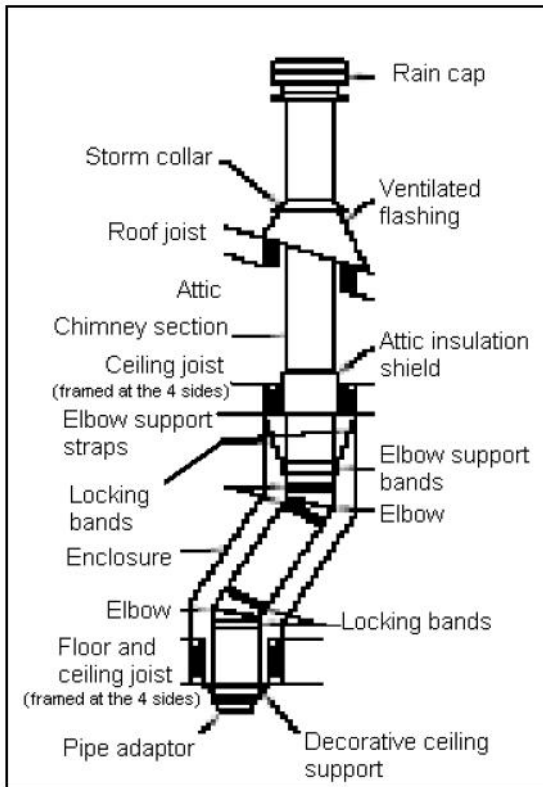
The *Tison* and *Cuisiniere* model) must be installed in accordance with the applicable local laws or the CAN/CSA - B365 ULC S635, ULC S640 standards. For the chimney, follow the chimney manufacturer's instructions.

VERTICAL INSTALLATION ON A CATHEDRAL ROOF

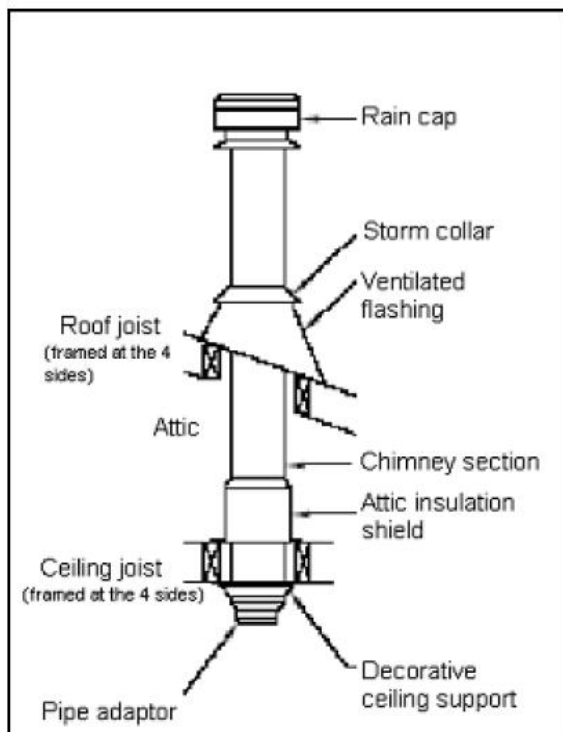
The *Tison* and *Cuisiniere* models must be installed in accordance with the applicable local laws or the CAN/CSA - B365 ULC S635, ULC S640 standards. For the chimney, follow the chimney manufacturer's instructions.



CROSS INSTALLATION



The *Tison* and *Cuisiniere* models must be installed in accordance with the applicable local laws or the CAN/CSA - B365 ULC S635, ULC S640 standards. For the chimney, follow the chimney manufacturer's instructions.

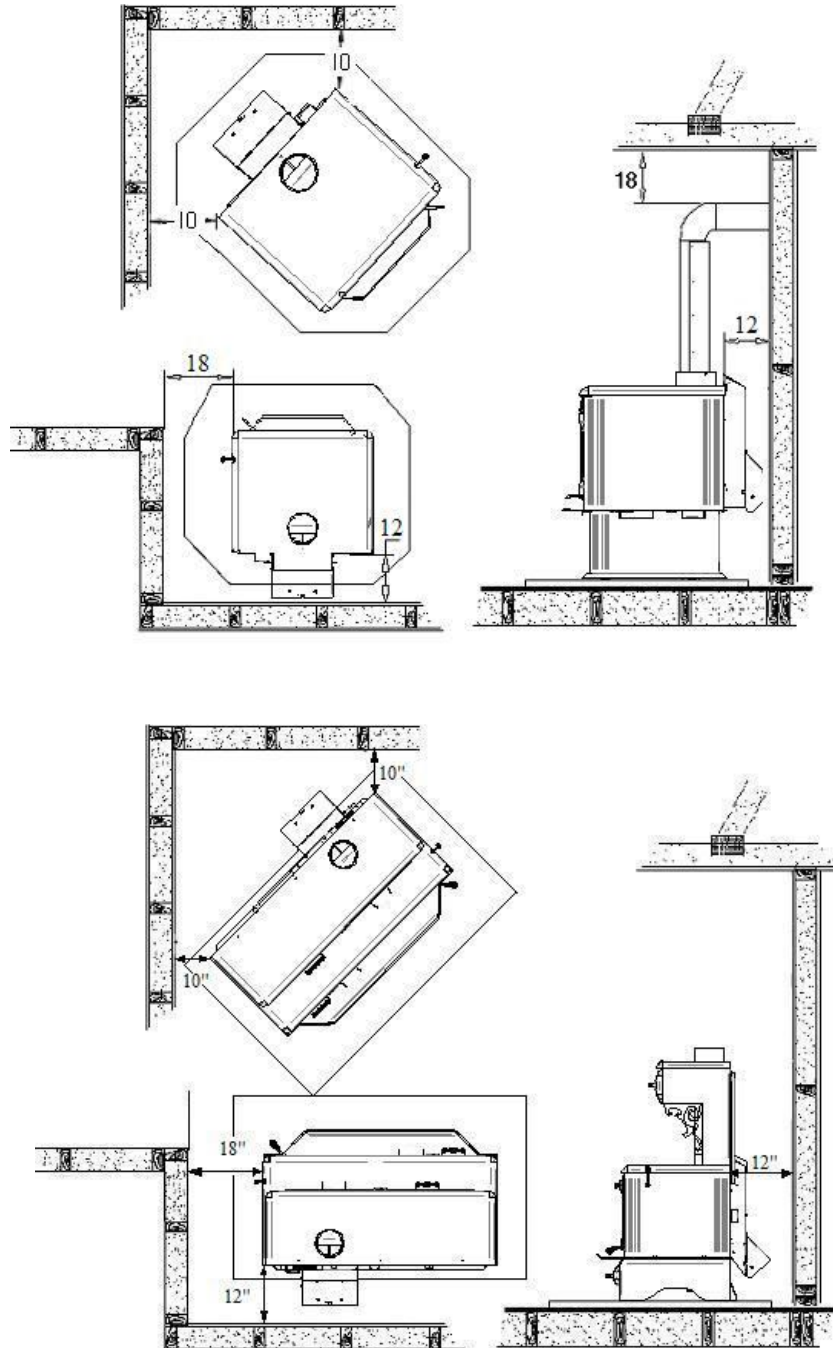


VERTICAL INSTALLATION

The *Tison* and *Cuisiniere* models must be installed in accordance with the applicable local laws or the CAN/CSA - B365 ULC S635, ULC S640 standards. For the chimney, follow the chimney manufacturer's instructions.

CLEARANCES

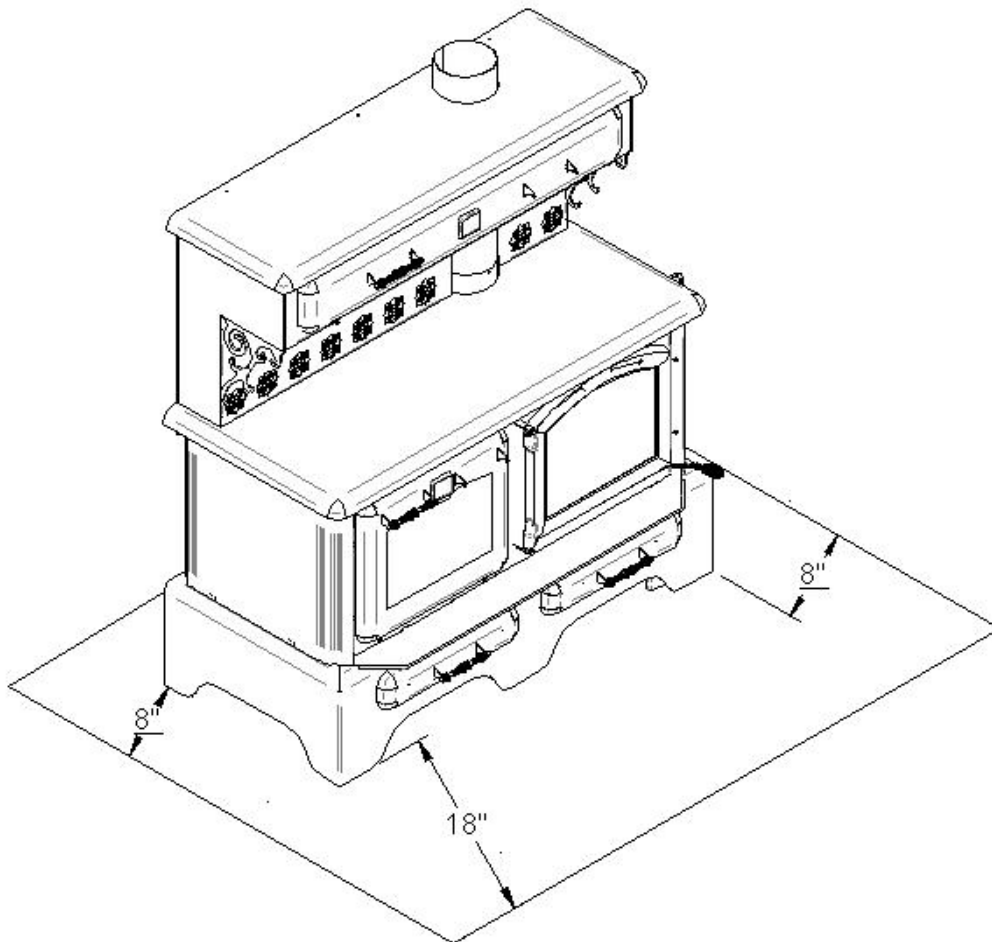
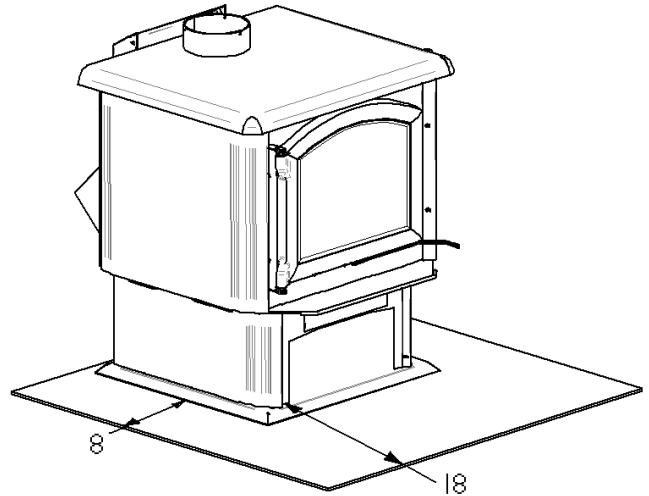
Due to its reduced clearances, this appliance occupies a minimum space in the room where it is installed. No matter where you install it, the *Tison* and *models* will perfectly complete your decoration by its originality and its heat. It requires only 12 inches of clearance to the back and 18 inches to the sidewalls, with the addition of one heat shield, when the installation is made with a simple pipe. In the contrary, the clearances must be 18 inches at the front and the back. In the case of a simple pipe without a heat shield, the clearances are of 18 inches of the smoke pipe.



SEATING

You must install a fireproof plate under the appliance, which must exceed it of 18 inches to the front, 8 inches to the sides and 8 inches at the back.

*** Use only non-combustible materials.
Ex: (ceramics, marbles, granites)



LIGHTING

Now that you have completed the installation of the appliance according to the recommendations, you are ready for the lighting!

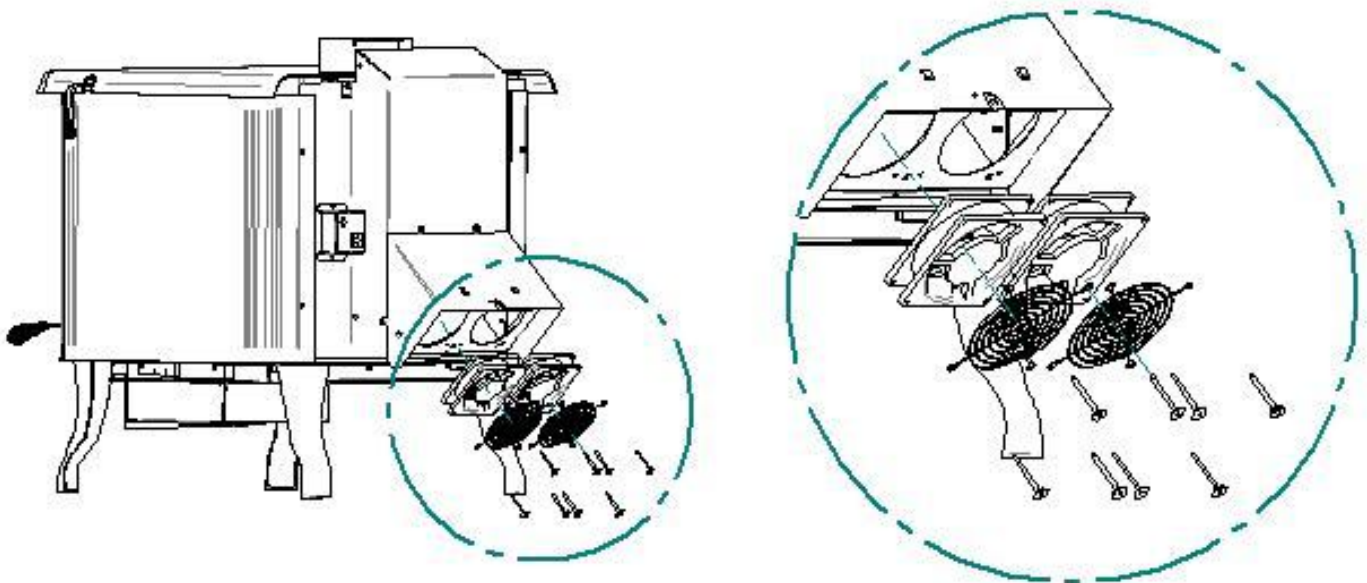
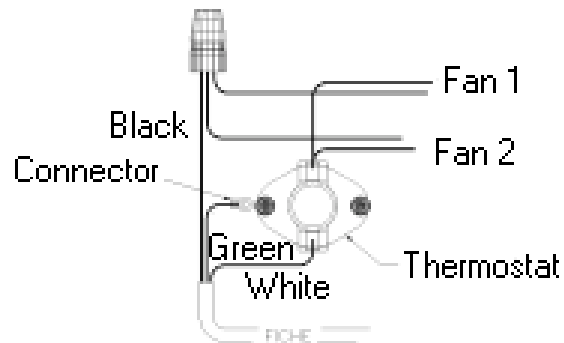
1. Place papers and small wood in the appliance and fully open the air intake.
2. When the fire is well lit, gradually add bigger wood logs until an ember bed is formed.
3. Before adjusting the air intake, be sure that the chimney is warm enough.
4. You can then control combustion by closing or opening the air intakes (a rod pulled down indicates a closed air intake). The wood will burn more quickly if the air intakes are opened to the maximum and more slowly if they are only slightly open.

Do not charge the appliance beyond the bricks.

FANS AND THERMODISC

The 115 volts fans must be screwed with the grids beneath the air corridor. The thermodisc box must be screwed on the back of the corridor. Connect the thermodisc into the electrical outlet. When the appliance is in function, the heat reaching a temperature of 120°C activates the thermodisc. At this moment, the thermodisc activates the fans for a better distribution of heat in your home. As soon as the heat goes under 120°C, the thermodisc automatically stops the fans.

Be sure that the electric cord of the fan doesn't touch any surface of the appliance in order to avoid an electric shock or a fire hazard.



DO NOT PUT THE ELECTRIC CORD UNDER THE APPLIANCE.

PREVENTIVE MEASURES AND MAINTENANCE

1. We recommend to open the air intakes completely and to maintain an intense fire from 10 to 20 minutes per day.
2. Verify the accumulation of creosote every week that you use the appliance until you know at which frequency it must be cleaned (minimum once per year).
3. Remove every creosote deposit in order to prevent chimney fires.
4. Do not alter or modify the air intakes of the appliance in order to get a stronger fire.
5. To clean the glasses, J.A. Roby Inc. recommends the use of products sold for this purpose or an oven cleaner. Avoid cleaning with abrasives or when the glass is hot.
6. Before lighting the first fire, clean the gold plated surfaces using a very soft rag moistened with water. Do not use a paper towel to clean gildings. If they are not erased before the first fire, fingerprints and other marks could stain these surfaces permanently.
7. The *Tison* and *Cuisiniere models* are provided with an ashtray under the door. To empty the appliance, you have to remove the cap made of cast iron (in the centre of the appliance) and to glide the ashes into the ashtray. Do not forget to replace the cap.

IN CASE OF A GLASS REPLACEMENT:

Remove the screws that retain the glasses. Remove any fragments of glasses. Check if the seal cords are damaged.

If so, replace them by a ½ inch ceramics cord and replace the broken glasses by VITROCERAMICS glasses of 5mm.

Cut the glass edge 3mm smaller on each side, so that the fibreglass cord can be slipped on the edge of the glass at the time of its installation. Fix the glass by screwing it.

Contact your retailer to obtain any information you might need for the replacement of the glasses.

DO NOT USE SUBSTITUTES.

INTERCHANGEABLE PARTS LIST

- BRICKS
- WOOL
- CAP
- PLATES USED TO RETAIN WOOL
- PIPES
- GLASSES
- DOOR'S HANDLE
- APPLIANCE'S DOOR
- FANS
- CORDS
- BRICK RETAINING PLATE
- THERMOMETER
- OVEN GLASS
- OVEN GRILL

*** TO ORDER PARTS, PLEASE CONTACT YOUR AUTHORIZED RETAILER.**

INSTALLATION OF THE FIREBRICKS

1. Fix the 7 screws with their bricks support to their designated space but do not tighten them completely. There should be 3 screws on the back and 2 on each side of the stove. (See Fig. 1). If it's not already done.
2. Install the bricks on the back and on the sides of the stove; A(10), C(1), E(2) then completely tighten the bricks support screw so that the bricks be maintained at their place (See Fig.1) If it's not already done.
3. Install these bricks in the bottom of the stoves: A(6), B(1), D(1) (See Fig. 1) If it's not already done.
4. Install the 4 stainless steel pipes beginning from the rear of the stove. Put the bricks retaining plate on the pipes. Install the 2 rear bricks on the top of the pipes A(2) (See Fig. 1) If it's not already done.
5. Install the Rockwool and the Rockwool protection plate on the bricks installed at step 4. Verify that there is still space between the Rockwool and the deflector. (See Fig. 2)
6. Install the 4 remaining bricks A (4) on the pipes and install the last pipes.

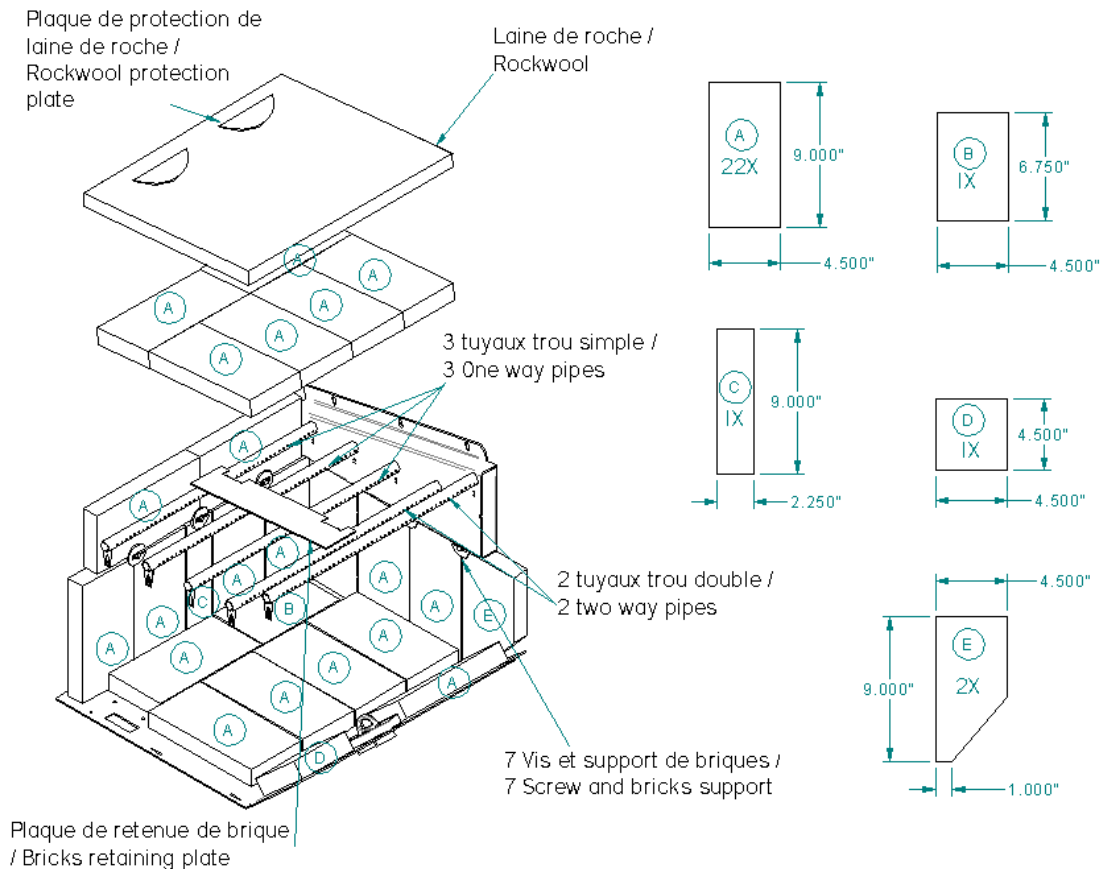


Fig. 1

Espace entre le déflecteur et la
laine de roche à ne pas obstruer /
Do not obstruct space between
deflector and rockwool

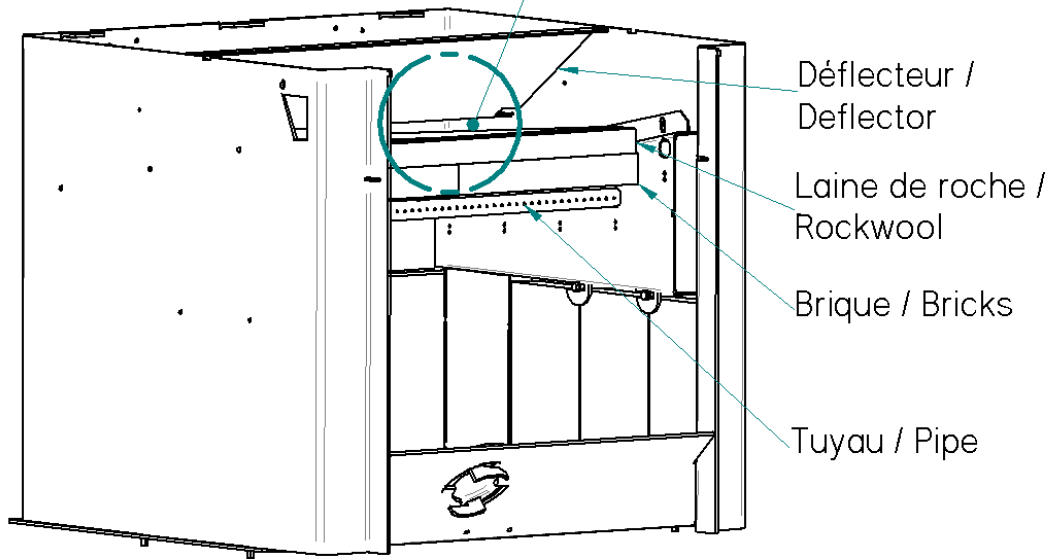
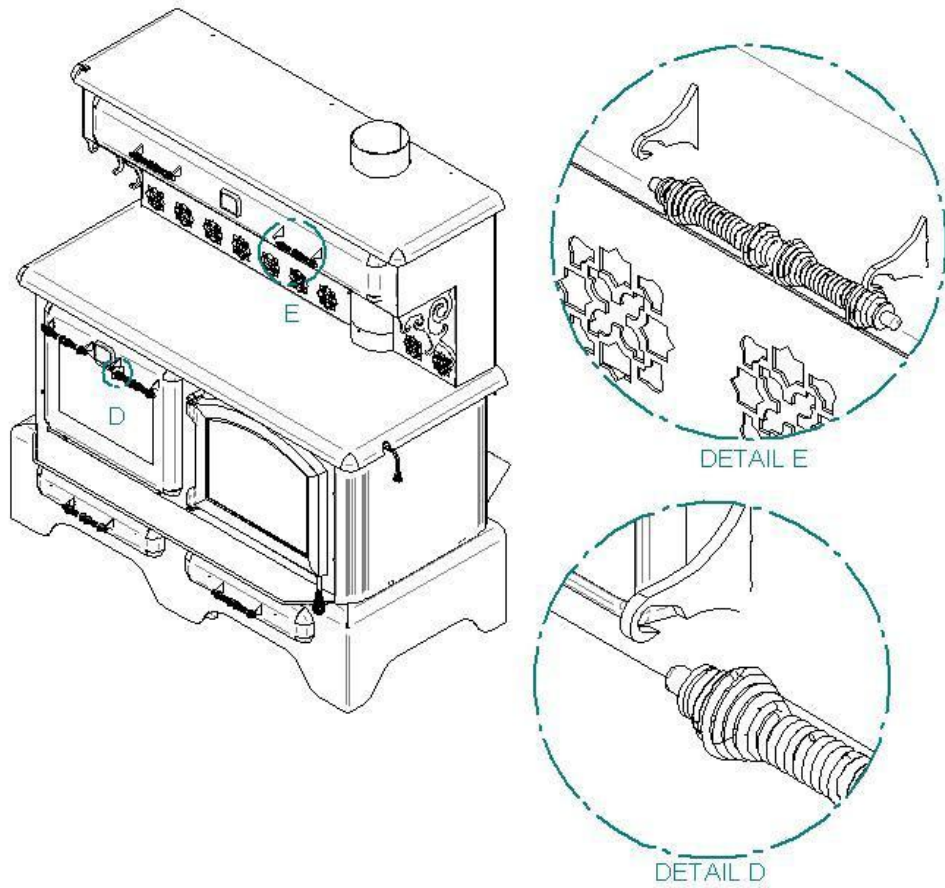


Fig. 2

USING THE REMOVABLE HANDLE



TO OPEN THE OVEN AND THE FOOD WARMER DOOR

- 1- Use the removable handles to open the oven door and food warmer door.
- 2- To insert the ends of the removable handle into the hooks, see DETAIL D and E.
- 3- Pull the removable handle to open the door.

TO CLOSE THE DOOR

- 1- Use the removable handle to close the oven and the food warmer door.
- 2- To insert the ends of the removable handle into the hooks, see DETAIL D and E.
- 3- Push the removable handle to close the door.



LIMITED LIFE WARRANTY

J.A. ROBY INC. warrants for life (following conditions written in the present manual) its high quality appliances against all manufacturing defectiveness. This warranty is only valid for the first buyer of the appliance with a purchase proof and the serial number of the appliance.

This warranty is valid only for a normal residential utilisation. All damages caused by a misuse, a wrong installation, a wrong maintenance, a negligence or an accident during transportation are not covered by this warranty.

This warranty does not cover scratches, corrosion or discoloration caused by excessive heat, abrasives and chemical cleaners. All defectiveness or damage caused by the use of parts other than the manufacturer's original parts will automatically cancel this warranty.

This warranty is subject to the following exceptions: glass, paint, firebricks, door's plating, decorations, ceramic cord and installation. The fans and electrical parts are covered by a 90 days warranty (from invoice date).

The **1st year**, J.A. Roby Inc. engages to undertake the necessary repairs without additional charges. The appliance must be sent to our manufacture, located at 490, rue de l'Argon, Québec (Québec) G2N 2C9. The owner must prepay transportation charges. **J.A. Roby inc. will NOT accept any transportation charges.**

The 2nd year, J.A. ROBY Inc. assume **50%** of repairs according to the above conditions.

The 3rd year, J.A. ROBY Inc. assume **45%** of repairs according to the above conditions.

The 4th year, J.A.ROBY Inc. assume **40%** of repairs according to the above conditions.

Subsequent years, J.A.ROBY Inc. assume **30%** of repairs according to the above conditions.

You MUST return this card in order to register your appliance for the Warranty.

If your appliance has defectiveness, contact immediately your J.A. Roby Inc. distributor whom will guide you.

Before sending a product or a part at our manufacture, you must receive an authorization number from your sale representative or your J.A. Roby distributor. All merchandise sent without authorization will not be accepted and will be returned to the shipper.

WARRANTY CARD

APPLIANCE MODEL: _____

DATE OF PURCHASE: _____

STORE: _____

INSTALLATION DATE: _____ SERIAL #: _____

NAME: _____

ADDRESS: _____

PROVINCE: _____ POSTAL CODE: _____

INSTALLED BY: _____

BUYER'S SIGNATURE: _____