



 **HearthStone**[®]
WOOD AND GAS-FIRED STOVES

317 Stafford Avenue, Morrisville, VT 05661
E-mail: inquiry@hearthstonestoves.com
On the web: www.hearthstonestoves.com

WOODSTOVES

Always the perfect finish.

With choices as unique as your home and lifestyle ... we're spreading the warmth.



TABLE OF CONTENTS

Color choices	4
<i>Woodstoves</i>	
The Mansfield	5-6
The Heritage	7-8
The Phoenix	9-10
The Homestead	11-12
The Tribute	13-14
The Bennington	15-16
The Shelburne	17-18
The Craftsbury	19-20
<i>Woodstove inserts</i>	
The Clydesdale	21-22
The Morgan	23-24
<i>Technical specifications</i>	25-26
<i>Gas-fired stoves</i>	27-30



Large heat capacity or small. For heating your entire home or just for warming a single room. Freestanding stoves or fireplace inserts. Stone-finished in your choice of traditional soapstone and cast, or all cast iron stoves with beautiful designs and porcelain enamel finishes.

Each HearthStone® stove comes in a wide variety of materials and color combinations to match any decor.

With all these choices, it's like having your own customized line of stoves, ready when you need one, so you can choose the one that suits your exact needs and desires.

Unparalleled Craftsmanship Beautiful, Hardworking & Smart, Too.

A HearthStone stove is more than just a practical way to warm your home. It's often the centerpiece of a room as well – something that family and friends will gather around. So, we make sure that every HearthStone stove has the hand-crafted beauty of a piece of fine furniture.

HearthStone stoves are made in Vermont with Yankee ingenuity and practicality. They're made one at a time by individual craftsmen. There's no assembly line. They're built by people who take great pride in their work and understand the need for both reliability and functionality – and the desire for a special presentation within your home. Each soapstone woodstove is hand-signed by the person who made it. So, whatever your sense of style – rustic, elegant, casual, or formal – or your lifestyle – outdoor, active, indoor, and relaxed at home, a HearthStone can fit beautifully into your decor.

Each and every HearthStone stove is crafted to the highest standards. Materials are the finest, strongest, and most durable available. Manufacturing practices are unparalleled in the industry. For example, our baked enamel finishes are fired to 1,500 degrees to provide HearthStone's signature luster and shine, and for the greatest chip and tarnish resistance. All secondary air tubes are constructed of durable stainless steel to resist corrosion and provide a lifetime of service.

All HearthStone woodstoves are non-catalytic, making them easier to operate and maintain. Additionally, various exclusive design features make them easy to load and clean, all of which makes HearthStone woodstoves extremely reliable and maintenance free. The air wash system built into every stove prevents the window glass from fogging or discoloring – making the large windows “self-cleaning” to maximize your view of the roaring fire or gently flickering flames.

We combine time-tested craftsmanship and materials with the latest heating technology to ensure our stoves are clean-burning and efficient. We take great pride in the fact that our own environmental standards exceed even the strictest EPA guidelines.

The Perfect Finish

There's something about a room that's perfectly finished. It inspires comfort and security. The truest sense of home and hospitality. And there's something about a HearthStone stove that helps to finish a home in just that way. Something that draws out that long, lazy, heavy-eyed grin as you sink a little deeper into the sofa cushions. Warm. Relaxed. Its warm glow is the perfect finish to a brisk walk ... a good meal ... a long day.

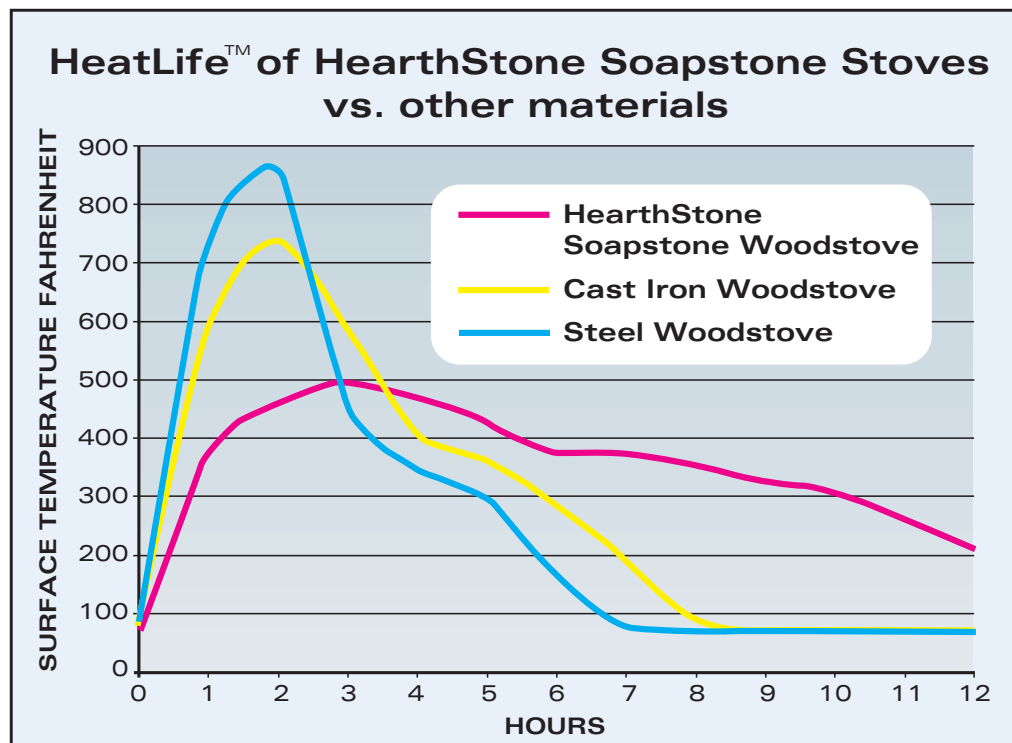
Please take a look at our comprehensive line of stoves. With so many choices, we're sure there's a HearthStone that's perfect for you. With HearthStone, you always get the perfect finish.



Formed millions of years ago under intense heat and pressure, soapstone is a metamorphic rock, natural, non-combustible, and extraordinarily beautiful. Possessing remarkable stability due to its original molten form, soapstone is the only stone able to withstand intense fire, direct flames, and dramatic temperature changes, making it an ideal component for a stove.

HearthStone's soapstone panels absorb the high heat of the fire, then radiate it back out into your room. Once heated, soapstone stays warm for hours to continue warming with a gentle, even, radiant quality of heat that's as comfortable as it is lasting. This is a quality we call HeatLife™, the length of time a stove continues to radiate heat after burning a load of wood.

Soapstone gives HearthStone stoves superior HeatLife. The soapstone panels incorporated into some of HearthStone's most popular stoves are all hand-selected and hand-matched to create a coordinated and complementary pattern within the overall stove design. The end result is a stove which is remarkably efficient, functional, durable, and beautiful.



A Full Spectrum of Color Choices

Our soapstone stoves are available in a variety of color finishes for the cast iron frames. Other HearthStone stoves offer stone choices that can be mixed and matched with a variety of enamel colors or black matte, classically sculpted, cast iron.

All of our stones are hand-picked for each individual stove after being polished to a lustrous shine. Our all-cast iron stoves come in a variety of colors as well.

CASTING FINISHES

Moss Green Majolica Enamel



(Craftsbury only)

Painted Matte Black



Blue/Black Satin Enamel



Seafoam Majolica Enamel



Black High Gloss Enamel



Brown Majolica Enamel



All the Majolica enamels will craze after heating and the color will even shift on the hottest areas of your stove during heating.

STONE FINISH

Polished Gray Soapstone



Polished gray soapstone varies from gray to gray-green to gray-blue, according to natural composition.

Warranty: HearthStone Quality Home Heating Products, Inc., warrants all its wood and gas stoves and inserts to the original purchaser for the lifetime of the appliance to be free from defects in material and workmanship, with certain limitations as defined in our Limited Lifetime Warranty policy. See your HearthStone dealer for complete details and a copy of our warranty policy.

HeatLife is a trademark and HearthStone, HearthStone Phoenix, and HearthStone Sterling are registered trademarks of HearthStone Quality Home Heating Products, Inc.

the MANSFIELD

WOODSTOVE



Six great miles of powder,

and you're home just as another light snow begins to fall. You stomp your feet, pull off your gloves with your teeth, and tend to the clumps of snow accumulated on your shoulders, knees, and everywhere on the dog. The warmth of the cabin reawakens frozen feet and fingertips, and you toss a fresh log onto your HearthStone stove. Can you imagine a more perfect finish to the day?

The Mansfield is a workhorse of a stove. HearthStone's largest model, it can provide up to 14 hours of sustained heat on a single load of wood. Producing up to 80,000 BTUs, it can tackle the coldest of climates and keep your entire home warm and comfortable, even when you're out enjoying the snow all day long or are too pooped to get out of bed and put a fresh log on the fire in the middle of the night.

3.2 cubic foot firebox; extra-wide door -

Holds up to 64 lbs. of wood. The Mansfield's deep firebox allows logs up to 19" in length to be accommodated straight in or 21" in length side-to-side for easy loading.

Single air-intake lever/ stove control -

Stove operation is easy; performance more consistent.

Open and close ash grate and removable ash drawer -

Easy, clean ash removal; pan can be removed while fire is still burning.

Unmatched fire viewing -

Air entering the firebox through the stove's secondary air tubes ignites the gases rising off the burning wood. The resulting light and flames provide dazzling fire viewing, even when the fire is burning at a low rate.

Non-catalytic combustion system -

Clean burning, complete combustion provides more heat from less wood, greater efficiency and reduced smoke and creosote build-up.

Outside air adapter (optional) -

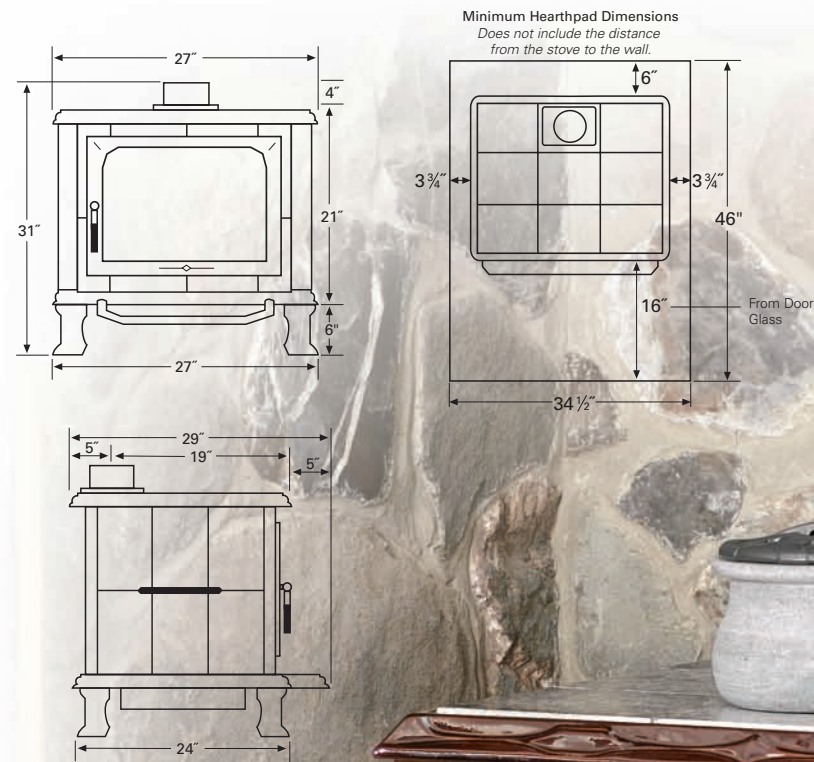
Improved efficiency in today's newer "airtight" homes; reduces cold air drafts along the floor.

Rear heat shield (optional) -

Allows more placement options because the stove can be installed closer to a wall so clearance requirements are reduced; creates a convection passageway between shield and back of stove to allow optional fan to circulate air through house.

Fan with built-in thermostat and rheostat (optional) -

Helps spread heat evenly throughout home; fan operates only when stove is at significant heat level. The rheostat controls fan speed. Use of rear heat shield is required.



Mansfield featured with brown majolica enamel finish.

Mansfield Woodstove - Model 8011
Heats a large home with ease.

Size: 80,000 BTUs • Heats up to: 2,500 sq. ft.
EPA Rating: 2.8 grams per hour • Maximum Log Length: 21"

Stone Finish: Polished Gray Soapstone

Casting Finish: Cast iron available in a variety of HearthStone enamel & matte finishes



the HERITAGE

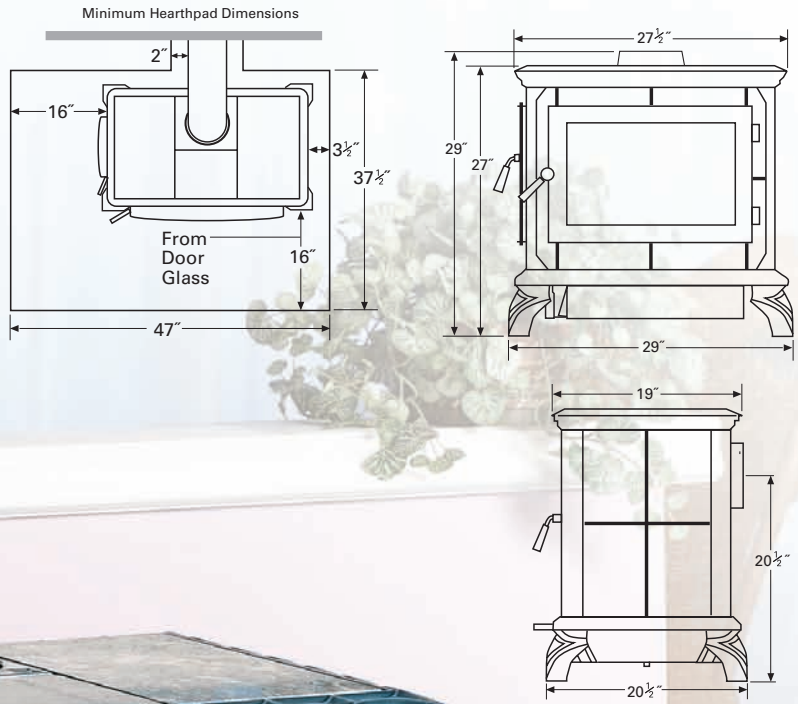
WOODSTOVE



They say no two snowflakes are alike.

The kids were on a mission to test this out. With mouths wide open and mittens outstretched, they managed to catch dozens of examples of snowflake artistry for closer scrutiny... until the setting of the sun and the deepening pink of their cheeks and noses forced them indoors for welcomed cups of cocoa by our HearthStone woodstove.

For a warm welcome and to take the chill off your midsize home, the Heritage woodstove is just what you need. When fully loaded, the Heritage will burn up to 8 hours, providing up to 12 hours of sustained heat. A special, side-loading door makes it even simpler to load. And, as with all HearthStone woodstoves, the Heritage warms your home with minimal fire-tending needed, so you're free to take care of other things.



Heritage featured with seafoam majolica enamel finish.



Heritage Woodstove - Model 8021

Size: 55,000 BTUs • Heats up to: 1,900 sq. ft.

EPA Rating: 2.7 grams per hour • Maximum Log Length: 21"

Stone Finish: Polished Gray Soapstone

Casting Finish: Cast iron available in a variety of HearthStone enamel & matte finishes

-  Painted Matte Black
-  Blue/Black Satin Enamel
-  Black High Gloss Enamel
-  Brown Majolica Enamel
-  Seafoam Majolica Enamel

2.3 cubic foot firebox; side-loading door -

Holds up to 46 lbs. of wood. The Heritage has a deep firebox and side-loading door that allows logs up to 21" in length to be accommodated side-to-side for easy loading, or use optional lock kit to reduce side hearth clearance from 16" to 3 1/2".

Single air-intake lever/ stove control -

Stove operation is easy; performance more consistent.

Unmatched fire viewing -

Air entering the firebox through the stove's secondary air tubes ignites the gases rising off the burning wood. The resulting light and flames provide dazzling fire viewing, even when the fire is burning at a low rate.

Non-catalytic combustion system -

Clean burning, complete combustion provides more heat from less wood, greater efficiency, and reduced smoke and creosote build-up.

Open and close ash grate and removable ash drawer -

Easy clean ash removal; pan can be removed while fire is still burning.

Reversible flue -

For top or rear exit.

Outside air adapter (optional) -

Improved efficiency in today's newer "airtight" homes; reduces cold air drafts along the floor.

Rear heat shield (optional) -

Allows more placement options because the stove can be installed closer to a wall so clearance requirements are reduced; creates a convection passageway between shield and back of stove to allow optional fan to circulate air through house.

Fan with built-in thermostat and rheostat (optional) -

Helps spread heat evenly throughout home; fan operates only when stove is at significant heat level. The rheostat controls fan speed. Use of rear heat shield is required.

Note: Always refer to the HearthStone Owner's Manual and the local authority having jurisdiction in your area for the specific installation requirements for your stove.

the PHOENIX

WOODSTOVE

Who has
a carrot
for the
nose,
or will a large
radish do the trick?



This has to be the best snowman ever, not to mention one of the biggest snowfalls in memory! The kids gather sticks for his arms, and someone finds an old scarf for his neck. Your hat turns out to look perfect on top of his head, which leads to your corralling the whole pack back indoors to warm up by your HearthStone stove.

A hybrid-design woodstove, the HearthStone Phoenix® brings together the quick-heating qualities of cast iron with the radiance of natural soapstone. A separate ash removal drawer and a self-cleaning window bring added ease and convenience.

Compact and powerful, the Phoenix works hard to keep a mid-size home warm for hours, long after the flames have gone out.

2.2 cubic foot firebox -

Holds up to 44 lbs. of wood; 21" maximum log length.

Single air-intake lever/ stove control -

Stove operation is easy; performance more consistent.

45-degree flue collar -

Flexible installation; stove can be used as a freestanding unit or as a hearth stove.

Unmatched fire viewing -

Air entering the firebox through the stove's secondary air tubes ignites the gases rising off the burning wood. The resulting light and flames provide dazzling fire viewing, even when the fire is burning at a low rate.

Non-catalytic combustion system -

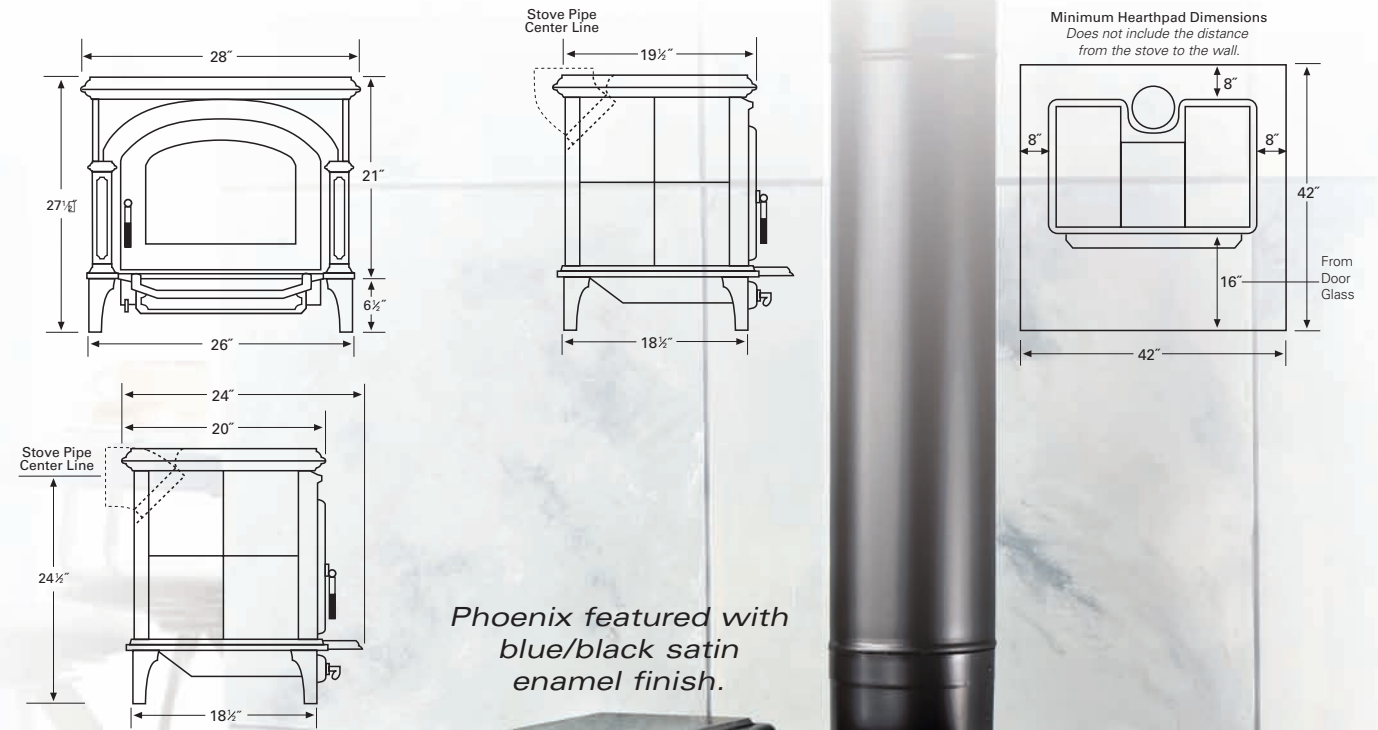
Clean burning, complete combustion provides more heat from less wood, greater efficiency, and reduced smoke and creosote build-up.

Outside air adapter (optional) -

Improved efficiency in today's "airtight" newer homes; reduces cold air drafts along the floor.

Rear heat shield (optional) -

Allows more placement options because the stove can be installed closer to a wall so clearance requirements are reduced.



Phoenix featured with blue/black satin enamel finish.



Phoenix Woodstove - Model 8612

Size: 60,000 BTUs • Heats up to: 2,000 sq. ft.

EPA Rating: 2.4 grams per hour • Maximum Log Length: 21"

Stone Finish: Polished Gray Soapstone

Casting Finish: Cast iron available in a variety of HearthStone enamel & matte finishes



the HOMESTEAD

WOODSTOVE

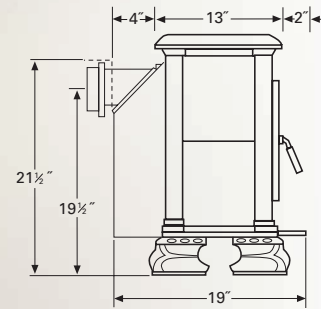
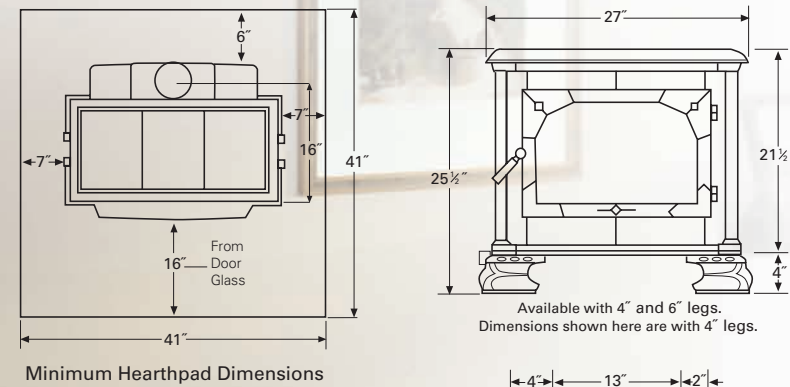


You hike for hours

up into the mountains, with each step aware that you're escaping traffic and schedules and the 9-to-5 routine. Along the trail, you take in the smokey-sweet scent of the pines – and, of course, the view. Just looking

out at those awe-inspiring peaks restores whatever it is that the relentless cityscape takes away from you, bit by bit. Returning later to the cabin, you find the fresh smell of outdoors changes to the warming scent of logs burning in your HearthStone woodstove. Perfect.

Available as either a hearth-mount insert with 4" legs or a freestanding stove with 6" legs, the Homestead will keep your midsize home cozy all day on a single load of wood. In fact, the Homestead is among the most efficient woodstoves on the market, thanks to its unique design and soapstone panels – which lend a gentle, radiant quality to the heat. Its classic styling and slim profile fit beautifully into any space or home decor. There's nothing like a Homestead for lasting warmth all day long or throughout the night.



Minimum Hearthpad Dimensions

Homestead hearth-mount model with 4" legs featured in blue/black satin enamel finish, shown with optional steel surround.



Homestead freestanding model with 6" legs featured in brown majolica enamel finish.



Homestead Woodstove

Your choice of hearth-mount (Model 8570-H) or freestanding (Model 8570-F).

Size: 50,000 BTUs • Heats up to: 1,800 sq. ft.

EPA Rating: 1.9 grams per hour • Maximum Log Length: 21"

Stone Finish: Polished Gray Soapstone

Casting Finish: Cast iron available in a variety of HearthStone enamel & matte finishes



2.0 cubic foot firebox –
Holds up to 44 lbs. of wood; 21" maximum log length.

Universal flue exit –

Reversible, 45-degree flue collar allows top or rear stove pipe connection for a freestanding or hearth-mount installation.

Single air-intake lever/ stove control –

Stove operation is easy; performance more consistent.

Non-catalytic combustion system –

Clean burning, complete combustion provides more heat from less wood, greater efficiency, and reduced smoke and creosote build-up.

Outside air adapter (optional) –

Improved efficiency in today's newer "airtight" homes; reduces cold air drafts along the floor.

Rear heat shield (optional) –

Allows more placement options because the stove can be installed closer to a wall so clearance requirements are reduced; creates a convection passageway between shield and back of stove to allow fan to circulate air through house.

Fan with built-in thermostat and rheostat (optional) –

Helps spread heat evenly throughout home; fan operates only when stove is at significant heat level. The rheostat controls fan speed. (Rear heat shield is required when installing optional fan. Fan not available for hearth-mount installation.)

Surround for hearth-mount (optional) –

Reduces mantel and side clearance; enhances appearance; and increases efficiency when Homestead is installed in an existing fireplace. Panel size 43 1/2" wide by 32" high.

Note: Always refer to the HearthStone Owner's Manual and the local authority having jurisdiction in your area for the specific installation requirements for your stove.

the TRIBUTE

WOODSTOVE



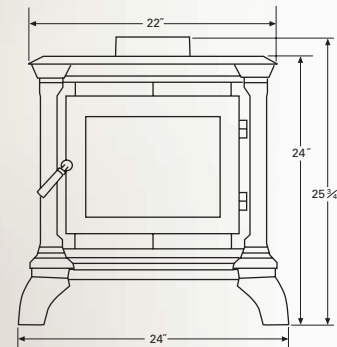
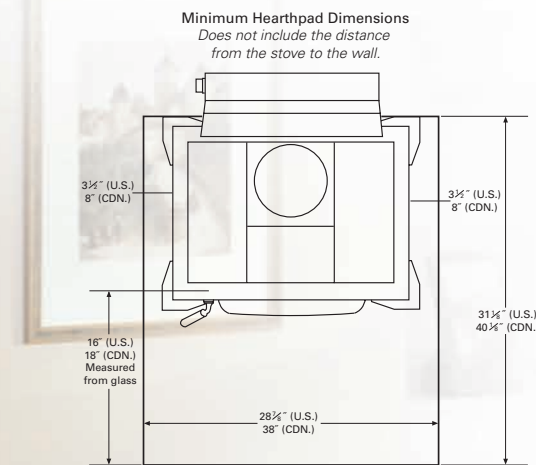
This day is a perfect 10!

You're tired, yet exhilarated, by being outdoors in brilliantly beautiful winter scenery. How can it be much better than this? And to top it off, you know when you reach home, all that energy you've expended, all that inspiration you have absorbed will be rewarded by a roaring fire in your HearthStone stove and a glass of your favorite wine.

The perfect finish ... to a perfect day.

HearthStone's Tribute stove is a tribute to great craftsmanship.

It's the medium size wood stove with all the uniqueness and heating benefits of soapstone. And all the classic styling that has made HearthStone the perfect choice, including the large, front-loading glass door for clear viewing, even when the fire is burning at a low rate. When you add up the features, the efficiency, color selection, and the beauty of soapstone, its name says it all.



Tribute featured with seafoam majolica enamel finish.



Tribute Woodstove - Model 8040

Size: 36,000 BTUs • Heats up to: 1,300 sq. ft.

EPA Rating: 2.9 grams per hour

Maximum Log Length: 16"

Stone Finish: Polished Gray Soapstone

Casting Finish: Cast iron available in a variety of
HearthStone enamel & matte finishes



1.2 cubic foot firebox -

Holds up to 20 lbs. of wood. The Tribute's easy-load, front-loading door allow logs up to 16" in length.

Single air-intake lever/stove control -

Stove operation is easy; performance more consistent.

Unmatched fire viewing -

Air entering the firebox through the stove's secondary air tubes ignites the gases rising off the burning wood. The resulting light and flames provide dazzling fire viewing, even when the fire is burning at a low rate.

Non-catalytic combustion system -

Clean burning, complete combustion provides more heat from less wood, greater efficiency, and reduced smoke and creosote build-up.

Outside air adapter (optional) -

Improved efficiency in today's, newer, "airtight" homes; reduces cold air drafts along the floor.

Rear heat shield (optional) -

Allows more placement options; stove can be installed closer to a wall because clearance requirements are reduced; creates a convection passageway between shield and back of stove to allow optional fan to circulate air through house.

Fan with built-in thermostat and rheostat (optional) -

Helps spread heat evenly throughout home; fan operates only when stove is at significant heat level. The rheostat controls fan speed. Use of rear heat shield is required.

Screen (optional) -

Allows for open-door fire viewing.

the **BENNINGTON** WOODSTOVE

You started
with a hamster.

Added two guinea pigs.

Next came the cat, followed by

the golden retriever puppies.

Four in all. Before you knew,

it was a full-out menagerie.



Not that you mind; you love them all. It's just a little harder than before

to claim your own personal spot by your HearthStone stove, with the

entire animal kingdom clustered around it on a chilly winter's night!

Even on the coldest days, even in the most spacious homes... the Bennington is sure to keep your entire home toasty warm. The largest of our cast iron woodstoves, the Bennington generates an impressive 70,000 BTUs when fully loaded, able to heat areas up to 2,200 square feet. With an exclusive, double-wall, cast iron frame and built-in rear heat shield, the Bennington's huge firebox actually serves as a convection chamber that allows air to circulate within and then return, thoroughly warmed, into the room. Its non-catalytic combustion system creates more heat with less wood. And, with both front and side doors, loading the Bennington is simple. A large, self-cleaning window means unobstructed viewing of the beautiful flame display.

2.5 cubic foot firebox -

Accepts 21" logs through double front doors, 23" logs through side-loading door. Front and side doors provide maximum loading ease and increased fuel efficiency.

All-cast double-wall construction -

Creates efficient convection heat; greatly reduces clearances with built-in rear heat shield.

13-lb. cast iron heat exchanger -

Unique in the industry; dramatically increases heat transfer and efficiency and enhances the quality of heat stored.

Integral rear heat shield -

Built-in rear heat shield allows stove to be placed closer to the wall; ready to accept optional fan.

Reversible flue collar -

Flexible installation; stove can be installed as a freestanding unit or as a hearth stove.

Unmatched fire viewing -

Air entering the firebox through the stove's secondary air tubes ignites the gases rising off the burning wood. The resulting light and flames provide dazzling fire viewing, even when the fire is burning at a low rate.

Non-catalytic combustion system -

Clean burning, complete combustion provides more heat from less wood, greater efficiency, and reduced smoke and creosote build-up.

Single air-intake lever/ stove control -

Stove operation is easy; performance more consistent.

Side door -

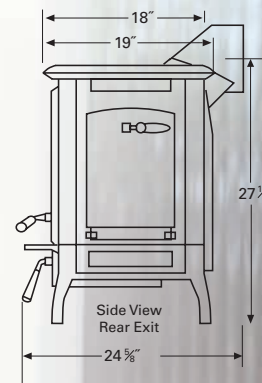
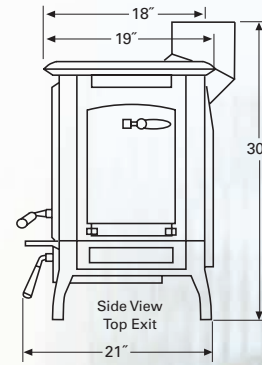
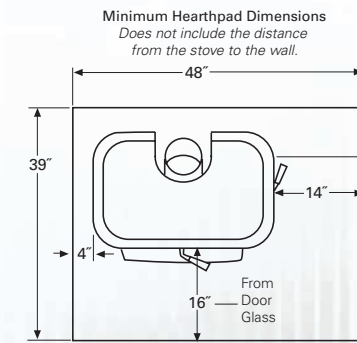
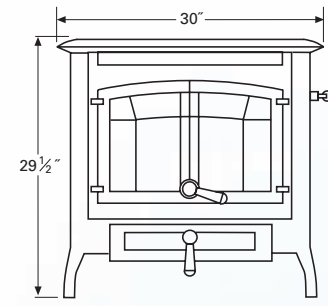
Allows easy fuel loading. Or use optional lock kit to reduce side hearth clearance from 14" to 4".

Outside air adapter (optional) -

Improved efficiency in today's newer "airtight" homes; reduces cold air drafts along the floor.

Fan with built-in thermostat and rheostat (optional) -

Helps spread heat evenly throughout home; fan operates only when stove is at significant heat level. The rheostat controls fan speed.



Bennington featured with brown majolica enamel finish.



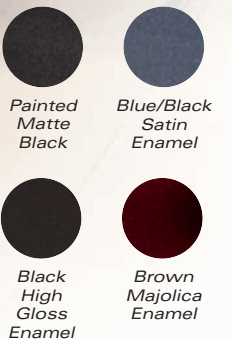
Bennington All-Cast Iron Woodstove - Model 8350

Heats a large home with ease.

Size: 70,000 BTUs • Heats up to: 2,200 sq. ft.

EPA Rating: 3.5 grams per hour • Maximum Log Length: 23"

Casting Finish: Cast iron available in a variety of
HearthStone enamel & matte finishes



the **SHELBURNE** WOODSTOVE



Looking out
at Puget Sound,

*the wind sweeping rhythmically across the water,
ushering in the waves and a chill in the air, you're
reminded that even in the height of summer, it can still
be sweater weather. Then, when the clouds gather and the
sun recedes and you've had your fill of the cold, bracing sea,
you know it feels good to head for the warmth of home
and your favorite spot by your HearthStone stove.*

With classic good looks in embossed cast iron, a large heating capacity and midsize dimensions, the Shelburne is remarkably functional, beautiful, and adaptable to a variety of spaces. Perfect for a mid-size home, the Shelburne woodstove can warm large areas in your home when fully loaded. An oversized, self-cleaning window allows for easy loading and great fire viewing.

2.0 cubic foot firebox -

Spacious firebox accepts up to 20" logs.

Single air-intake lever/ stove control -

Stove operation is easy; performance more consistent.

Unmatched fire viewing -

Air entering the firebox through the stove's secondary air tubes ignites the gases rising off the burning wood. The resulting light and flames provide dazzling fire viewing, even when the fire is burning at a low rate.

Reversible flue collar -

Flexible installation; stove can be installed as a freestanding unit or as a hearth stove.

Non-catalytic combustion system -

Clean burning, complete combustion provides more heat from less wood, greater efficiency, and reduced smoke and creosote build-up.

Outside air adapter (optional) -

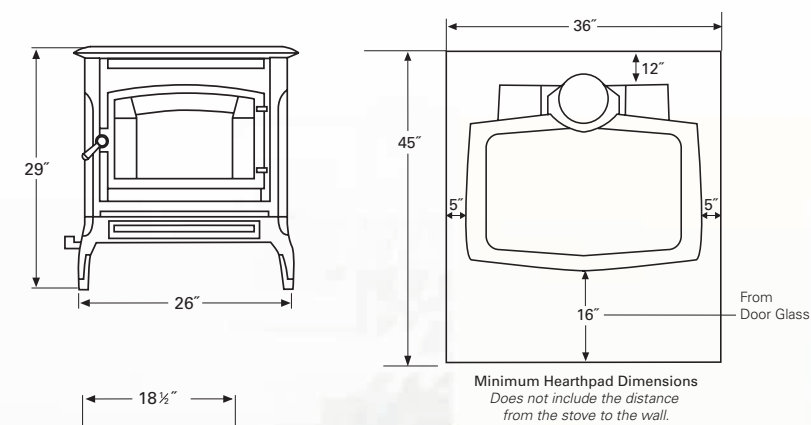
Improved efficiency in today's newer "airtight" homes; reduces cold air drafts along the floor.

Rear heat shield (optional) -

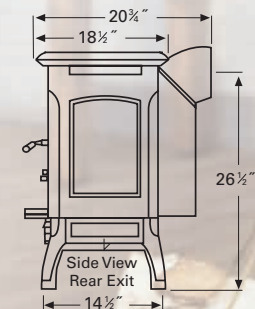
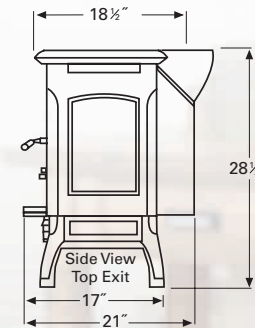
Allows more placement options because the stove can be installed closer to a wall so clearance requirements are reduced; creates a convection passageway between shield and back of stove to allow fan to circulate air through house.

Fan with built-in thermostat and rheostat (optional) -

Helps spread heat evenly throughout home; fan operates only when stove is at significant heat level. The rheostat controls fan speed. Use of rear heat shield required.



Minimum Hearthpad Dimensions
Does not include the distance
from the stove to the wall.



*Shelburne
featured in
painted
matte black.*



Shelburne All-Cast Iron Woodstove - Model 8370

Size: 50,000 BTUs • Heats up to: 1,800 sq. ft.

EPA Rating: 2.1 grams per hour • Maximum Log Length: 20"

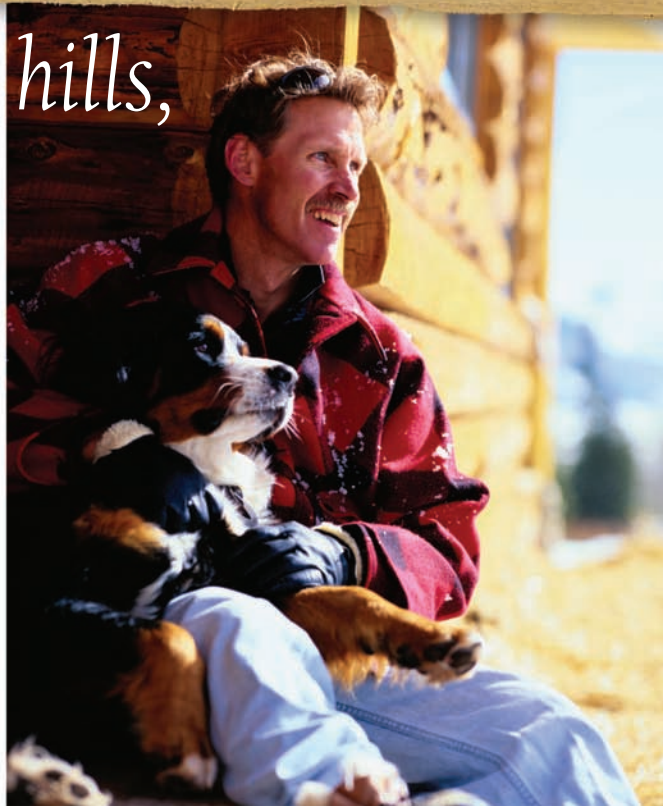
Casting Finish: Cast iron available in a variety of
HearthStone enamel & matte finishes



the CRAFTSBURY

WOODSTOVE

*Up the hills,
around the bends
and through the
wooded trails – what
could be more satisfying
than a hike with your
best friend on a perfect
autumn afternoon?
As the day progresses,
the sun moves west across the fields and mountains, and you and your
canine companion decide to head for home. The porch light will welcome
you, and the front room will beckon with warmth and light when you
settle into your favorite chair by the HearthStone Craftsbury.*



Content ... blissful ... it's the perfect finish to the perfect day.

With the elegance and style to complement any interior – and a spacious enough firebox to ensure delightful warmth for up to 7 hours, HearthStone's mid-size Craftsbury woodstove is both a show piece and a hardworking, practical investment. A spacious firebox lets you load larger logs with ease. And its large viewing window provides a dazzling display of fire and light. Clean-burning, to give more heat from less wood. And, used with the optional rear heat shield, the Craftsbury assures even flow of heat throughout the room.

1.5 cubic foot firebox -

The Craftsbury's easy-load, front-loading door allow logs up to 17" in length.

Single air-intake lever/stove control -

Stove operation is easy; performance more consistent.

Unmatched fire viewing -

Air entering the firebox through the stove's secondary air tubes ignites the gases rising off the burning wood. The resulting light and flames provide dazzling fire viewing, even when the fire is burning at a low rate.

Non-catalytic combustion system -

Clean burning, complete combustion provides more heat from less wood, greater efficiency, reduced smoke and creosote build-up.

Reversible flue collar -

Flexible installation; stove can be installed as a freestanding unit or as a hearth stove.

Open and close ash grate and removable ash drawer -

Easy, clean ash removal; pan can be removed while fire is still burning.

Firebox soapstone-lined -

Ensures longer HeatLife™.

Outside air adapter (optional) -

Improved efficiency in today's newer, "airtight" homes; reduces cold air drafts along the floor.

Screen (optional) -

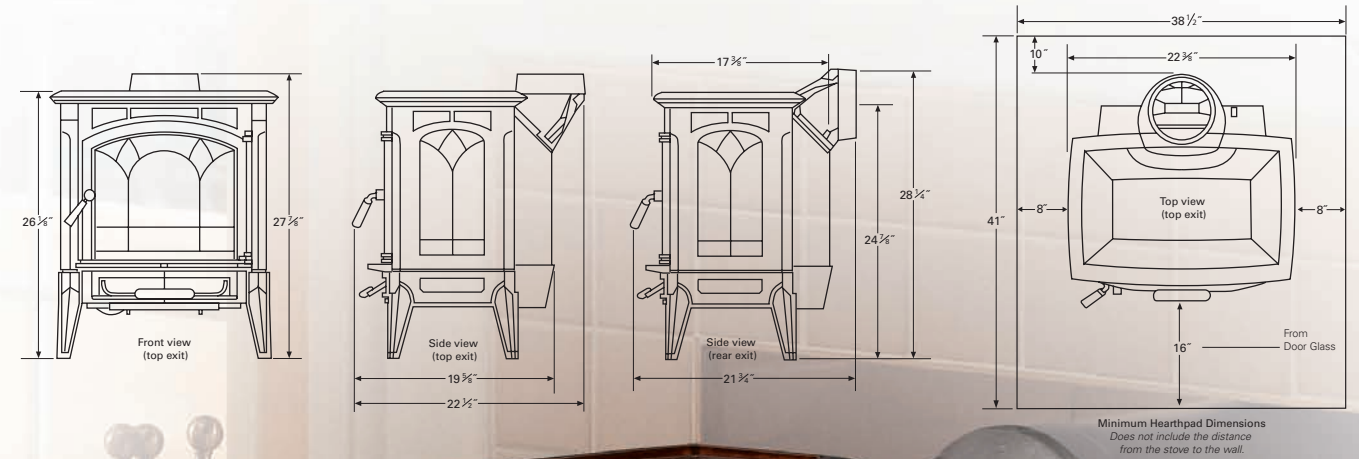
Allows for open-door fire viewing.

Rear heat shield (optional) -


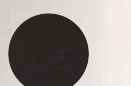



Allows more placement options; stove can be installed closer to a wall because clearance requirements are reduced; creates a convection passageway between shield and back of stove to allow optional fan to circulate air through house.

Fan with built-in thermostat and rheostat (optional) -

Helps spread heat evenly throughout home; fan operates only when stove is at significant heat level. The rheostat controls fan speed. Use of rear heat shield is required.



Craftsbury featured with brown majolica enamel finish.

-  Painted Matte Black
-  Black High Gloss Enamel
-  Blue/Black Satin Enamel
-  Brown Majolica Enamel
-  Moss Green Majolica

Craftsbury Woodstove – Model 8390

Size: 40,000 BTUs • Heats up to: 1,300 sq. ft.

EPA Rating: 3.0 grams per hour • Maximum Log Length: 17"

Casting Finish: Cast iron available in a variety of HearthStone enamel & matte finishes

the CLYDESDALE

WOOD INSERT



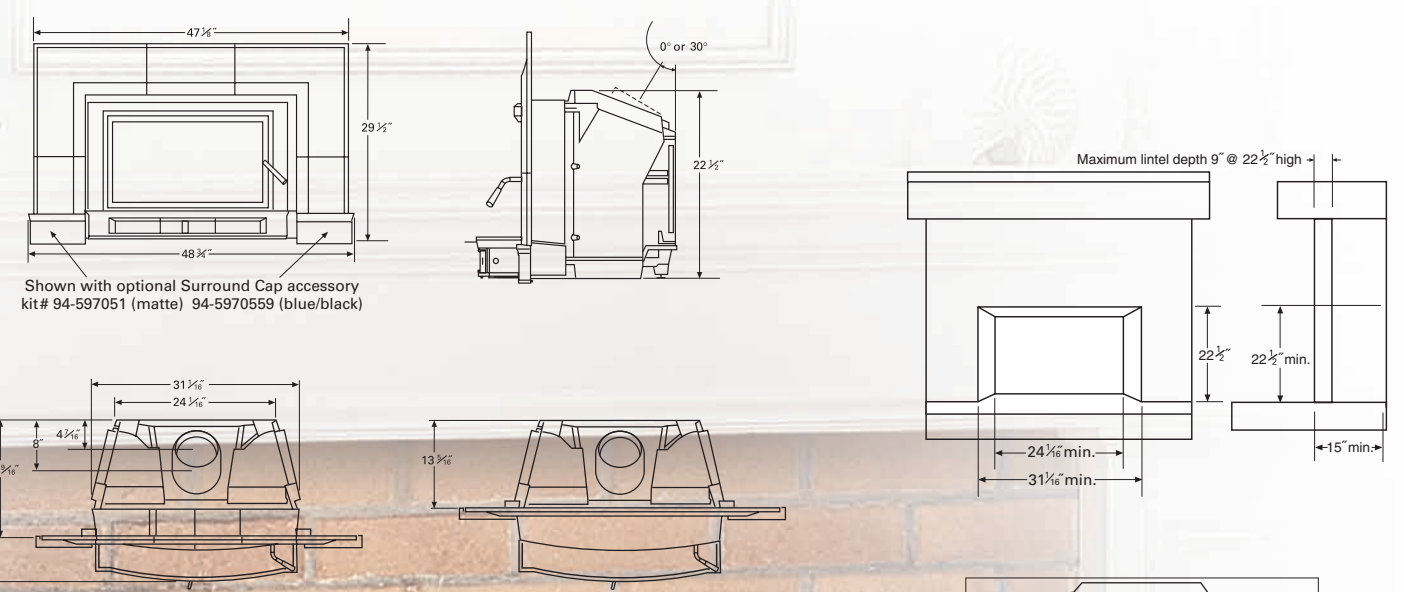
Just a few swings and you're ready for any weather.

The wood pile is the perfect place

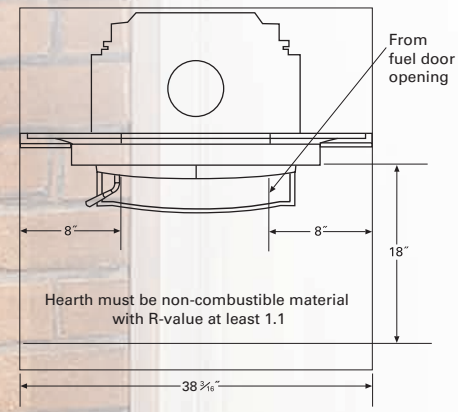
to get some exercise and work up an appetite. Each log split is another satisfying accomplishment because you know the end result of your efforts will be a cozy, crackling fire in your HearthStone, where you can watch the flames dance and not care how cold it gets outside.

The Clydesdale, like its name implies, is the largest HearthStone fireplace insert. It can hold 48 pounds of wood with logs up to 22" long and generate up to 60,000 BTUs of energy. The surround can be extended to accommodate even large openings. It has a reversible, glass, front-loading door for unmatched viewing of the full firebox – it's just like watching your fireplace ... with a lot more efficiency.

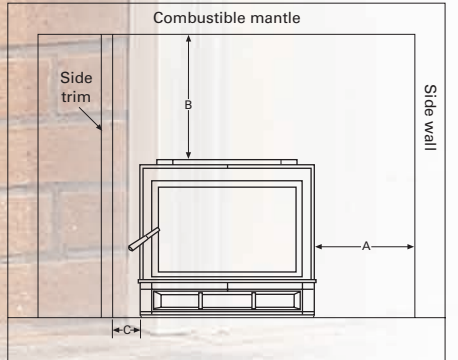
- 2.4 cubic foot firebox** – Holds up to 48 lbs. of wood. Large front door allows logs up to 22" in length to load easily.
- Single air intake lever/stove control** – Stove operation is easy; control more responsive.
- Unmatched fire viewing** – The large glass front door allows an unobstructed view of the full firebox. Primary and secondary air combine for dazzling fire viewing on high or low settings.
- Non-catalytic combustion system** – Clean burning, complete combustion provides more heat from less wood, greater efficiency, and reduced smoke and creosote build up.
- Reversible front loading door** – Front door easily converts to open from either the left or right side to meet your specific installation needs.
- Removable baffle** – Installing the flue liner through the firebox allows cleaning without moving the firebox.
- Front /aft 2-position flue collar & depth-adjusting surrounds** – Installation flexibility; unit will fit in more fireplaces.
- Leveling legs** – Adjustable after installation.
- Firebox soapstone-lined** – Ensures longer HeatLife™.
- Fan with thermostat and variable speed control** – Factory installed fan helps spread heat evenly throughout your home.
- Screen (optional)** – Allows for open-door fire viewing.
- Surround caps (optional)** – Adds beauty to the installation or used as a filler for raised firebox installations.
- Mantle shield (optional)** – Reduces mantle clearances.
- Surround Extension (optional)** – 36" H x 59" W (black anodized aluminum).



Clydesdale featured with matte black finish.



Clearances to combustibles



Side wall	A	12"
Mantle and top trim	B	24"
Mantle with mantle shield kit	B	11"
Side trim ≤ 1/2" projection	C	9"

Clydesdale Wood Insert – Model 8490

Size: 60,000 BTUs • Heats up to: 1,800 sq. ft.

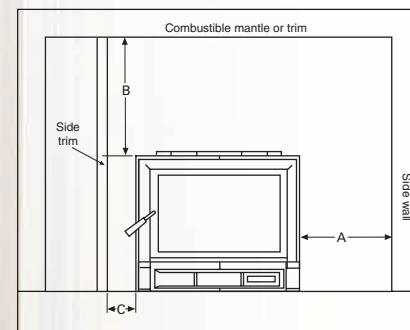
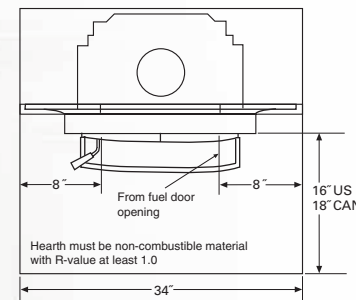
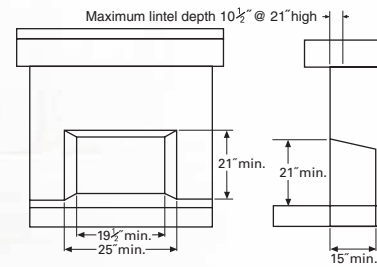
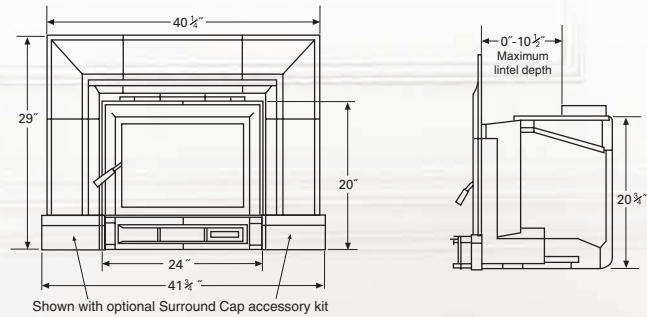
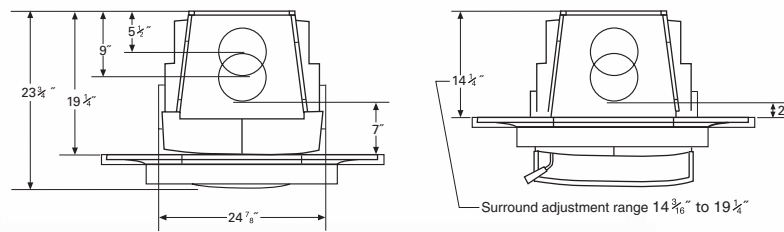
EPA Rating: 3.2 grams per hour
Maximum Log Length: 22"

Casting Finish: Cast iron available in Matte Black or Blue/Black enamel



the MORGAN

WOOD INSERT



Clearances (inches)

Side wall	A	13"
Mantle and top trim	B	34"
Mantle with mantle shield kit	B	22"
Side trim ≤ 1/2" projection	C	3"

Morgan featured with blue / black finish.



Morgan Wood Insert – Model 8470

Size: 40,000 BTUs • Heats up to: 1,200 sq. ft.

EPA Rating: 4.3 grams per hour

Maximum Log Length: 18"

Casting Finish: Cast iron available in Matte Black and Blue/Black enamels



Painted Matte Black



Blue/Black Satin Enamel

Firebox soapstone-lined – Ensures longer HeatLife™.

1.7 cubic foot firebox – Holds up to 34 lbs. of wood. Large front door allows logs up to 18" in length to load easily.

Single air intake lever/stove control – Stove operation is easy; control more responsive.

Unmatched fire viewing – The large glass front door allows an unobstructed view of the full firebox. Primary and secondary air combine for dazzling fire viewing on high or low settings.

Non-catalytic combustion system – Clean burning, complete combustion provides more heat from less wood, greater efficiency, and reduced smoke and creosote build up.

Reversible front loading door – Front door easily converts to open from either the left or right side to meet your specific installation needs.

Removable baffle – Install the flue liner through the firebox which allows cleaning without moving the firebox.

Front / aft 2-position flue collar & depth-adjusting surrounds – Installation flexibility; unit will fit in more fireplaces.

Leveling legs – Adjustable after installation.

Fan with thermostat and variable speed control – Factory installed fan helps spread heat evenly throughout your home.

Screen (optional) – Allows for open-door fire viewing.

Surround caps (optional) – Adds beauty to the installation, or used as a filler for raised firebox installations.

Mantle shield (optional) – Reduces mantle clearances.

Surround extension (optional) – 35" H x 52 1/4" W (black anodized aluminum).



The leaves swirl around your ankles,

then settle into brightly colored pools on the ground.

Early autumn, and you can

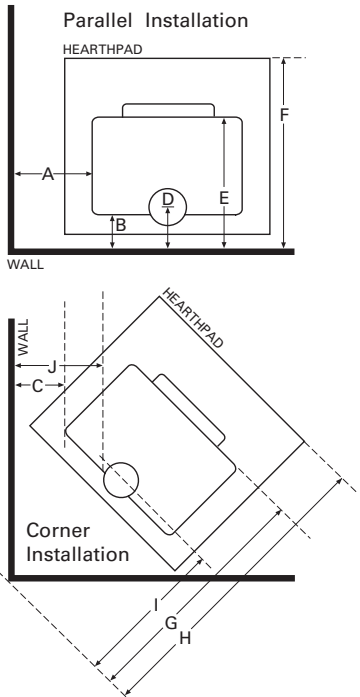
already see your breath in the evening air as you laugh and chat.

You open the door to reveal a deliciously warm glow, inviting you in to sit by your HearthStone. Perfect.

The Morgan is the perfect choice to turn your existing fireplace into a real workhorse. It has classic styling and an adjustable surround designed to fit most fireplaces. Best of all, the Morgan has a large, reversible glass door for both loading pounds of wood for the evening and for watching the flames jump and dart, just like you did when your fireplace was fully stoked and burning strong. The special air intake lever allows you to control the flame for your viewing pleasure and to maintain a desired heating level.

HEARTHSTONE WOODSTOVES

	Mansfield	Heritage	Phoenix	Homestead Hearth-mount	Homestead Freestanding	Tribute	Bennington	Shelburne	Craftsbury	Clydesdale Insert	Morgan Insert	
Specifications:												
Firebox capacity (1)	3.2 cubic feet	2.3 cubic feet	2.2 cubic feet	2.0 cubic feet	2.0 cubic feet	1.2 cubic feet	2.5 cubic feet	2.0 cubic feet	1.5 cubic feet	2.4 cubic feet	1.7 cubic feet	
Maximum log length	21"	21"	21"	21"	21"	16"	23"	20"	17"	22"	18"	
Flue exit & diameter	top exit 6" flue collar	top or rear exit 6" flue collar	45 degree exit 6" flue collar	top or rear exit reversible oval flue collar; 6" oval-to-round starter pipe included.		top exit 6" flue collar	top or rear exit 6" flue collar	45 degree exit 6" flue collar	top or rear exit 6" flue collar	top exit 6" flue collar	top exit 6" flue collar	
Ash pan	yes	yes	yes	yes	yes	no	yes	yes	yes	no	no	
Optional blower kit	yes	yes	no	no	yes	yes	yes	yes	yes	standard	standard	
Mobile home certified	yes	yes	yes	yes	yes	yes	yes	yes	yes	no	no	
Alcove certified (2)	yes	yes	yes	yes	yes	yes	yes	yes	yes	no	no	
Actual weight (lbs)	550	475	425	380	380	313	470	400	313	550	349	
Shipping weight (lbs)	575	500	470	440	440	338	515	425	338	585	416	
Performance:												
Emissions	2.8 grams/hr	2.7 grams/hr	2.4 grams/hr	1.9 grams/hr	1.9 grams/hr	2.9 grams/hr	3.5 grams/hr	2.1 grams/hr	3.0 grams/hr	3.2 grams/hr	4.3 grams/hr	
Heat output (3)	80,000 BTUs	55,000 BTUs	60,000 BTUs	50,000 BTUs	50,000 BTUs	36,000 BTUs	70,000 BTUs	50,000 BTUs	40,000 BTUs	60,000 BTUs	40,000 BTUs	
Efficiency	73%	73%	73%	74%	74%	73%	76%	73%	73%	73%	71%	
Heating capacity (4): up to ...	2,500 sq ft	1,900 sq ft	2,000 sq ft	1,800 sq ft	1,800 sq ft	1,300 sq ft	2,200 sq ft	1,800 sq ft	1,300 sq ft	1,800 sq ft	1,200 sq ft	
Burn time: up to ...	10 hours	8 hours	8 hours	8 hours	8 hours	7 hours	10 hours	8 hours	7 hours	10 hours	8 hours	
HeatLife™ (5): up to ...	14 hours	12 hours	12 hours	12 hours	12 hours	9 hours	12 hours	10 hours	9 hours	12 hours	10 hours	
Clearances: (6)												
Key												
With single-wall pipe & no heat shield												
Side of stove to side wall	A	18"	17"	20"	23"	23"	16.5"	12" L 18" R	18"	14"	12"	13"
Back of stove to back wall	B	19"	16"	25"	26"	26"	19"	18" (7)	24"	21"	N/A	N/A
Corner of stove to side wall	C	14"	12"	18"	18"	18"	17"	13"	13"	17"	N/A	N/A
Center of pipe to back wall	D	24"	21"	24"	N/A	29"	24"	19-1/2"	25-1/2"	21"	N/A	N/A
Front of stove to back wall	E	43"	35"	45"	45"	45"	35"	36-1/2"	42-1/2"	39"	N/A	N/A
Front of hearthpad to back wall (US)	F	59"	51"	61"	61"	61"	51"	53"	59"	55"	N/A	N/A
Front of hearthpad to back wall (CDN)		155 cm	135 cm	160 cm	160 cm	160 cm	134 cm	140 cm	160 cm	145 cm	N/A	N/A
Corner of wall to front of stove	G	57"	50"	60"	56"	56"	51"	52"	50"	49.5"	N/A	N/A
Corner of wall to front of hearthpad (US)	H	73"	65"	76"	72"	72"	67"	68"	66"	65.5"	N/A	N/A
Corner of wall to front of hearthpad (CDN)		191 cm	171 cm	197 cm	188 cm	188 cm	175 cm	179 cm	174 cm	171 cm	N/A	N/A
Center of pipe to corner of wall	I*	38"	36"	39"	N/A	38"	40"	33"	30"	32.5"	N/A	N/A
Edge of pipe to side wall	J*	24"	19"	25"	N/A	22-1/2"	25.5"	20-1/2"	17"	19.5"	N/A	N/A
With double-wall pipe & rear heat shield												
Side of stove to side wall	A	18"	16" L 15" R	16"	16"	16"	16.5"	12" L 18" R	21"	14"	N/A	N/A
Back of stove to back wall	B	8"	7"	13"	7"	7"	8"	16" (7)	12"	9"	N/A	N/A
Corner of stove to side wall	C	14"	11"	12"	12"	12"	7"	12"	6"	10"	N/A	N/A
Center of pipe to back wall	D	13"	12"	11"	N/A	10"	13"	17-1/2"	13-1/2"	9"	N/A	N/A
Front of stove to back wall	E	32"	26"	33"	26"	26"	24"	34-1/2"	30-1/2"	27"	N/A	N/A
Front of hearthpad to back wall (US)	F	48"	42"	49"	42"	42"	40"	50-1/2"	47"	43"	N/A	N/A
Front of hearthpad to back wall (CDN)		127 cm	112 cm	130 cm	112 cm	112 cm	106 cm	134 cm	125 cm	114 cm	N/A	N/A
Corner of wall to front of stove	G	57"	48"	51"	47"	47"	37"	51"	40"	41"	N/A	N/A
Corner of wall to front of hearthpad (US)	H	73"	64"	67"	63"	63"	53"	67"	56"	57"	N/A	N/A
Corner of wall to front of hearthpad (CDN)		191 cm	168 cm	175 cm	166 cm	166 cm	139 cm	175 cm	149 cm	150 cm	N/A	N/A
Center of pipe to corner of wall	I*	38"	34"	32-1/2"	N/A	29-1/2"	26"	32"	20"	24"	N/A	N/A
Edge of pipe to side wall	J*	24"	17.5"	18-1/2"	N/A	16-1/2"	15.5"	19-1/2"	10"	12"	N/A	N/A
Minimum hearthpad size - US (8)		34 1/2" W x 46" D	47" W x 37.5" D	42" W x 42" D	41" W x 41" D	41" W x 41" D	28 7/8" W x 31 1/8" D	48" W x 39" D	36" W x 45" D	38 1/2" W x 41" D	38 3/16" W x 18" D	36" W x 16" D
Minimum hearthpad size - Canada (8)		99 cm x 122 cm	135 cm x 110 cm	107 cm x 112 cm	104 cm x 104 cm	104 cm x 104 cm	96 cm x 106 cm	127 cm x 104 cm	91 cm x 119 cm	98 cm x 104 cm	97 cm x 46 cm	92 cm x 46 cm



- (1) The amount and weight of wood contained per cubic foot of firebox volume can vary from 15 to 36 lbs. per cubic foot depending on type of wood, moisture content, packing density, and other factors. As a constant for comparison and test purposes, we are assuming 20 lbs. of seasoned hardwood per cubic foot of firebox volume.
- (2) See Owner's Manual for specific alcove clearances and alcove hearthpad requirements.
- (3) Heat output will vary depending on frequency of loading, the dryness and quality of wood used, packing density, and other installation variables.
- (4) Heating capacity is an approximation dependent upon type of wood, loading configuration, floor plan, house construction, venting configuration, heat loss, geographic location of home, and other usage and regional variables.
- (5) Heat Life™ is a trademark of HearthStone Quality Home Heating Products and is defined as the quantity of heat stored within the thermal mass of the stove. Used here, it refers not just to burn time but to total hours of usable heat from a single load of fuel.
- (6) Clearances on this page are for reference only. Refer to the Owner's Manual for exact specifications prior to installation.
- (7) The Bennington rear heat shield is built in; no additional rear heat shield is required.
- (8) See Owner's Manual for specific hearth material and R-value requirements.

* With 45-degree elbow if required

HEARTHSTONE'S GAS-FIRED STOVE COLLECTION

All HearthStone gas stoves are powerful sources of heat, as well as remarkable models of efficiency ... while providing the ease and convenience of gas. A cast iron, double heat exchanger, standard in all our direct-vent and B-vent gas models, ensures maximum transfer of heat from the stove or fireplace insert into the room.

Also standard are features, such as: variable flame height control, allowing you to control the rate of heat output; a wall-mounted thermostat; and a built-in, 3-way on/off/thermostat switch. And, of course, all HearthStone gas stoves offer the beauty

of a realistic flame display, allowing you to create a special ambiance in your home.



Sterling -Ht Gas-Fired Stove

Direct-Vent - Model 8532

B-Vent - Model 8521

Burn Rate Range:	12,000 - 38,000 BTUs / hr. (top vent) 12,000 - 33,000 BTUs / hr. (rear vent)	20,000 - 40,000 BTUs / hr.
EnerGuide Rating:	74%	
Steady State Efficiency:	74 - 83%	80 - 88%
Heating Area:	1,800 sq. ft.	1,800 sq. ft.
Stone Finish:	Polished Gray Soapstone, Aztec Green Marble, Autumn Brown, Dakota Red, Misty Mauve, Black Orion Granite	Polished Gray Soapstone, Aztec Green Marble, Autumn Brown
Casting Finish:	Cast iron available in a variety of HearthStone enamel and matte finishes	

Santa Fe Gas-Fired Stove - Model 8761

Burn Rate Range:	Direct-Vent - 18,000 - 35,000 BTUs / hr.
EnerGuide Rating:	63.1%
Steady State Efficiency:	72 - 83%
Heating Area:	1,800 sq. ft.
Stone Finish:	Polished Gray Soapstone, Aztec Green Marble, Autumn Brown, Dakota Red, Misty Mauve, Black Orion Granite
Casting Finish:	Cast iron available in a variety of HearthStone enamel and matte finishes



Tucson Gas-Fired Stove

	<i>Direct-Vent - Model 8701</i>	<i>B-Vent - Model 8720</i>	<i>Vent-Free (non-catalytic) - Model 8745</i>
Burn Rate Range:	13,000 - 26,000 BTUs / hr.	13,000 - 26,000 BTUs / hr.	13,500 - 20,000 BTUs / hr.
EnerGuide Rating:	62.7%		
Steady State Efficiency:	71 - 82.5%	74 - 83%	99%
Heating Area:	1,200 sq. ft.	1,200 sq. ft.	1,200 sq. ft.
Stone Finish:	Polished Gray Soapstone, Aztec Green Marble, Autumn Brown, Dakota Red, Misty Mauve, Black Orion Granite		
Casting Finish:	Cast iron available in a variety of HearthStone enamel and matte finishes		

HEARTHSTONE'S GAS-FIRED STOVE COLLECTION

Tribute Direct-Vent – Model 8050

Burn Rate Range: 10,500 - 18,000 BTUs/hr.
EnerGuide Rating: 72.71%
Steady State Efficiency: 70-82%
Heating Area: Up to 900 sq. ft.
Stone Finish: Polished Gray Soapstone, Aztec Green Marble, Autumn Brown Granite
Casting Finish: Cast iron available in a variety of HearthStone enamels and matte finishes



The Tudor Gas-Fired Stoves – Model 8120

Rate Range: Direct-Vent - 7,000 - 12,000 BTUs / hr.
EnerGuide Rating: 61.4%
Steady State Efficiency: 70 – 82%
Heating Area: Up to 600 sq. ft.
Stone Finish: Polished Gray Soapstone, Autumn Brown Granite, Kashmir Gold Granite
Casting Finish: Cast iron available in a variety of HearthStone enamels and matte finishes



Champlain All-Cast Iron, Gas-Fired Stove – Model 8301

Burn Rate Range: Direct-Vent - 18,000 - 35,000 BTUs / hr.
EnerGuide Rating: 63.1%
Steady State Efficiency: 72 – 83%
Heating Area: Up to 1,800 sq. ft.
Casting Finish: Cast iron available in a variety of HearthStone enamel and matte finishes

Stowe All-Cast Iron, Gas-Fired Stove – Model 8321

Burn Rate Range: Direct-Vent - 13,000 - 26,000 BTUs / hr.
EnerGuide Rating: 62.7%
Steady State Efficiency: 71 – 82.5%
Heating Area: Up to 1,200 sq. ft.
Casting Finish: Cast iron available in a variety of HearthStone enamel and matte finishes



Direct-Vent DVI-Ht Gas-Fired Inserts – Model 8890

Burn Rate Range: Direct-Vent - 13,000 - 33,000 BTUs / hr. • **EnerGuide Rating:** 67.71%
Steady State Efficiency: 74 – 83% • **Heating Area:** Up to 1,500 sq. ft.
Casting Finish: Cast iron available in a variety of HearthStone enamels and matte finishes.
Stone Panels (Maidstone & Willoughby): Polished Gray Soapstone, Autumn Brown Granite