

Installation & Operating Manual

P68 Pellet Stove Owners Manual

HARMAN™



We suggest that our hearth products be installed and serviced by professionals who are certified in the U.S. by the National Fireplace Institute (NFI) as NFI Specialists.



“Ce manuel est disponible en Français sur demande”

R7

SAFETY NOTICE

PLEASE READ THIS ENTIRE MANUAL BEFORE YOU INSTALL AND USE YOUR NEW ROOM HEATER. FAILURE TO FOLLOW INSTRUCTIONS MAY RESULT IN PROPERTY DAMAGE, BODILY INJURY, OR EVEN DEATH.

FOR USE IN THE U.S. AND CANADA. SUITABLE FOR INSTALLATION IN MOBILE HOMES.

IF THIS HARMAN STOVE IS NOT PROPERLY INSTALLED, A HOUSE FIRE MAY RESULT. FOR YOUR SAFETY, FOLLOW INSTALLATION DIRECTIONS.

CONTACT LOCAL BUILDING OR FIRE OFFICIALS ABOUT RESTRICTIONS AND INSTALLATION INSPECTION REQUIREMENTS IN YOUR AREA.

CONTACT YOUR LOCAL AUTHORITY (SUCH AS MUNICIPAL BUILDING DEPARTMENT, FIRE DEPARTMENT, FIRE PREVENTION BUREAU, ETC.) TO DETERMINE THE NEED FOR A PERMIT.

CETTE GUIDE D'UTILISATION EST DISPONIBLE EN FRANCAIS. CHEZ VOTRE CONCESSIONNAIRE DE HARMAN HOME HEATING.

SAVE THESE INSTRUCTIONS.

Item # 3-90-00688



Tested and Labeled by

Portland Oregon USA

OMNI by Test Laboratories, Inc. Report # 135-S-13-2 Tested to UL 1629, 2

ASTM E1509, UL-C-1482-M1990 and UL-C-1482-M1990

"PREVENT HOUSE FIRES"

Install and use only in accordance with manufacturer's installation and operation instructions. Contact local building or fire officials about restrictions and inspection in your area.

WARNING FOR MANUFACTURED HOMES: Do not install appliance in a sleeping room. An outside combustion air inlet must be provided. The structural integrity of the manufactured home floor, ceiling and walls must be maintained.

Refer to manufacturer's instructions and local codes for precautions required for passing chimney through a combustible wall or ceiling. Inspect and clean exhaust venting system frequently in accordance with manufacturer's instructions.

Use a 3" or 4" diameter type "L" or "PL" venting system.

Do not connect this unit to a chimney flue servicing another appliance.

FOR USE WITH PELLETIZED WOOD FUEL ONLY

Input Rating Max: 8 lb. fuel/hr.

U.S. Electrical Rating: 115 VAC, 60 Hz, Start 4.1 AMPS, Run 1.1 AMPS

European Electrical Rating: 240 VAC, 60 Hz, Start 2.0 AMPS, Run 1.1 AMPS

Route power cord away from unit.

DANGER: Risk of electrical shock. Disconnect power supply before servicing.

For further instruction, refer to owner's manual.

Replace glass only with 5mm ceramic available from your dealer.

Keep viewing and ash removal doors lightly closed during operation.

Set# -

MODEL: "P68"
Room Heater Pellet Fuel Burning
Also for use in Mobile Homes.
This pellet burning appliance has been tested and listed for use in Manufactured Homes in accordance with OAR 814-23-900 through 814-23-909

MINIMUM CLEARANCES

TO COMBUSTIBLES:

Back Wall To Appliance 2" / 5 cm

Side Wall To Appliance 20" / 51 cm

Corner Installation Walls To Appliance 13" / 33 cm

FLOOR PROTECTION

Sides 2" / 5 cm

Back 0" / 0 cm

Front 6" / 15 cm

Use a non-combustible floor, protector extending under the unit and to the sides, front and back of unit as shown in Floor Protection Diagram. Measure front distance from the surface of the glass door. Recommended: Non-combustible floor protection extending beneath any horizontal sections of venting, including the "T" on the back when venting vertically.



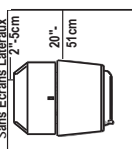
US ENVIRONMENTAL PROTECTION AGENCY

This model is exempt from EPA certification under 40 CFR 60.531 by definition [Wood Heater (A) "Air-to-Fuel Ratio"]

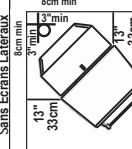
DO NOT REMOVE THIS LABEL / NE PAS ENLEVER CETTE ÉTIQUETTE

MADE IN USA / Fabriqué aux É.-U.

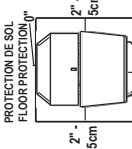
WITHOUT SIDE SHIELDS
Sans Écran Latéraux



WITHOUT SIDE SHIELDS
Sans Écrans Latéraux



PROTECTION DE SOL
FLOOR PROTECTION



"PREVENTION DES INCENDIES"

Respecter scrupuleusement les instructions du constructeur pour l'installation et les consignes de fonctionnement. Respecter les règles de sécurité en vigueur dans votre région.

AVERTISSEMENT POUR MOBILE HOMES: Ne pas installer dans une chambre. Il est impératif de prévoir une prise d'air extérieur. L'intégrité structurelle du plancher, du plafond et des murs doit être strictement préservée.

Se reporter aux instructions du fabricant et aux réglementations spécifiques locales concernant les précautions requises lors de la traversée d'un mur ou d'un plafond. Contrôler et nettoyer fréquemment tout le système d'évacuation des fumées conformément aux recommandations du constructeur. Utiliser des tuyaux << Spécial granulés >> de Ø76 mm ou 102 mm. Ne pas raccorder ce poêle à un conduit de cheminée déjà utilisé pour un autre appareil.

FONCTIONNE EXCLUSIVEMENT AVEC DES GRANULES DE BOIS.

Appareil de chauffage à granulés type (UM) 84-HUD. Consommation maximum: 3,63 kg/h. U.S. Electrical Rating: 115 VAC, 60 Hz, Start 4,1 AMPS, Run 1,1 AMPS

Caractéristiques électriques: 240 VAC, 60 Hz-Intensité au démarrage 2,0A -Intensité fonctionnement normal 1,1A. Tenir le cordon d'alimentation à l'écart du poêle.

DANGER: Risque d'électrocution. Débrancher l'appareil avant toute intervention.

Ne remplacer la vitre qu'avec une vitre céramique 5mm de même qualité disponible auprès de votre revendeur.

Pour une information plus complète, se reporter à la notice d'utilisation. Tenir la porte hermétiquement close durant fonctionnement.

Modèle: "P68"

Appareil de chauffage à granulés de bois Utilisable dans des mobile homes. Cet appareil de chauffage à granulés a été essayé et homologué pour les maisons préfabriquées, conformément aux normes 814-23-900 à 814-23-909 de l'OAR.

Tests réalisés par OMNI TEST LABORATORIES, Inc.

Report N° 135-S-13-2

DISTANCES MINIMALES DE SECURITE:

Sans Écrans Latéraux	Avec Écrans Latéraux
51cm	51cm
30,5cm	30,5cm
23cm	23cm

PROTECTION DE SOL

Côtés	5 cm
Dernière	0 cm
Devant	15 cm

Utiliser une protection de sol Incombustible dépassant de l'appareil sur les côtés, l'arrière et le devant comme indiqué sur le schéma. La mesure doit être prise à partir de la vitre frontale. Il est recommandé que la projection de sol s'étende au dessus du tuyau de fumée dans le cas d'une sortie horizontale directe.

Agence Américaine pour la Protection de l'Environnement

Ce modèle est dispensé par EPA certification d'après 40 CFR 60.531 par définition [Appareil à bois (A) << Ratio air/combustible >>]

Date of Manufacture / Date de fabrication:

2008	2009	2010	JAN	FEB	MAR	APR	MAY	JUN	JUL	AUG	SEP	OCT	NOV	DEC
------	------	------	-----	-----	-----	-----	-----	-----	-----	-----	-----	-----	-----	-----

Fabriqué par: Harman Home Heating 352 Mountain House Road, Halifax PA 17032

P.N. 3-90-06806

IGN

Introduction

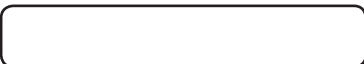
The Award-Winning P68 Pellet Stove has the widest BTU range available, giving you 0 to 68,000 BTU when you need it, automatically. The only thing you need to do is set your desired room temperature and fill the hopper. With the P68 you will notice even heat throughout your home and a level of convenience you never thought possible.

The P68 epitomizes the capability of Harman Pellet Stoves, taking advantage of Harman's 20 years of pellet stove design, technology and manufacturing. This 68,000 BTU stove has the highest output, smartest controls, widest heating range, and minimal maintenance. The P68's huge output is managed by a microprocessor that senses the room temperature and the fire temperature with tiny thermister probes and then determines the best feed rate. This improved and smarter control also has a diagnostic port for connecting an external display showing live working data for easier troubleshooting.

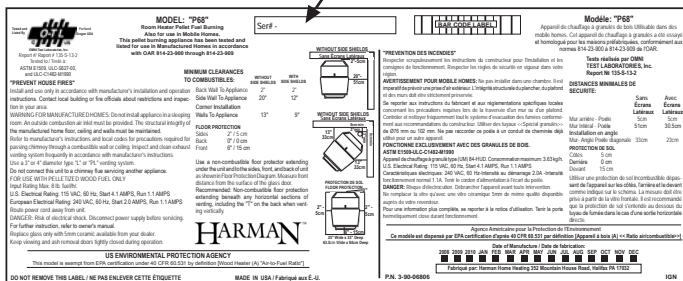
The platinum combination is Harman's Patented Feeder & Burn Pot, and ESP Control which have been developed to their highest state. These features work together to allow amazing heat output with different fuel quality, ash content and moisture.



Serial #:



This label is located on the back of the unit. Please copy the Serial Number for future reference.



Please read this entire manual before you install and use your new room heater. Failure to follow instructions may result in property damage, bodily injury, or even death.

HARMANTM
352 Mountain House Road
Halifax, PA 17032

Table of Contents

Important Notes / Safety Concerns	4
Installation	5
Venting	7
Automatic Operation	14
Manual Operation	17
ESP Control	19
Low Draft Voltage Adjustment	20
Room Sensor	21
Maintenance	22
Trouble Shooting	27
Feeder Parts	28
Specifications	29
Options	30
Wiring Diagram	31
Parts List	32
Warranty	33

IMPORTANT NOTES

DO NOT INSTALL A FLUE DAMPER IN THE EXHAUST VENTING SYSTEM OF THIS UNIT.

DO NOT CONNECT THIS UNIT TO A CHIMNEY FLUE SERVING ANOTHER APPLIANCE.

Mobile home installation should be done in accordance with the Manufactured Home and Safety Standard (HUD), CFR 3280, Part 24.

WARNING

**Mobile/Manufactured Home Standards
Do Not Allow Installation In Rooms
Designated For Sleeping.**

CAUTION

**THE STRUCTURAL INTEGRITY OF THE
MOBILE HOME FLOOR, WALL, AND
CEILING/ROOF MUST BE MAINTAINED.**

CAUTION

**KEEP COMBUSTIBLE MATERIALS
(SUCH AS GRASS, LEAVES, ETC.) AT LEAST
3 FEET AWAY FROM THE FLUE OUTLET ON
THE OUTSIDE OF THE BUILDING.**

Installation and repair of this Harman stove should be done by a qualified service person. We recommend that the stove be inspected before use and at least annually by a qualified service person. Periodic cleaning is required throughout the heating season and at the end of each winter for the stove to work efficiently. See cleaning instructions on page 22.

Assembly and Installation

Unpacking

The P68 is bolted (1/4 x 1" hex head bolts) to the skid to prevent movement during shipping. To free the stove from the skid you must remove the hold-down bolts in the rear of the pedestal base.

Installing rear cover panels

The rear cover panels are removed from the stove to make it easier to get at the hold-down bolts. The rear cover panels are packed inside the hopper and should be installed on the stove as shown. It is recommended that the rear covers are installed after the unit is in place and the vent pipe is installed.

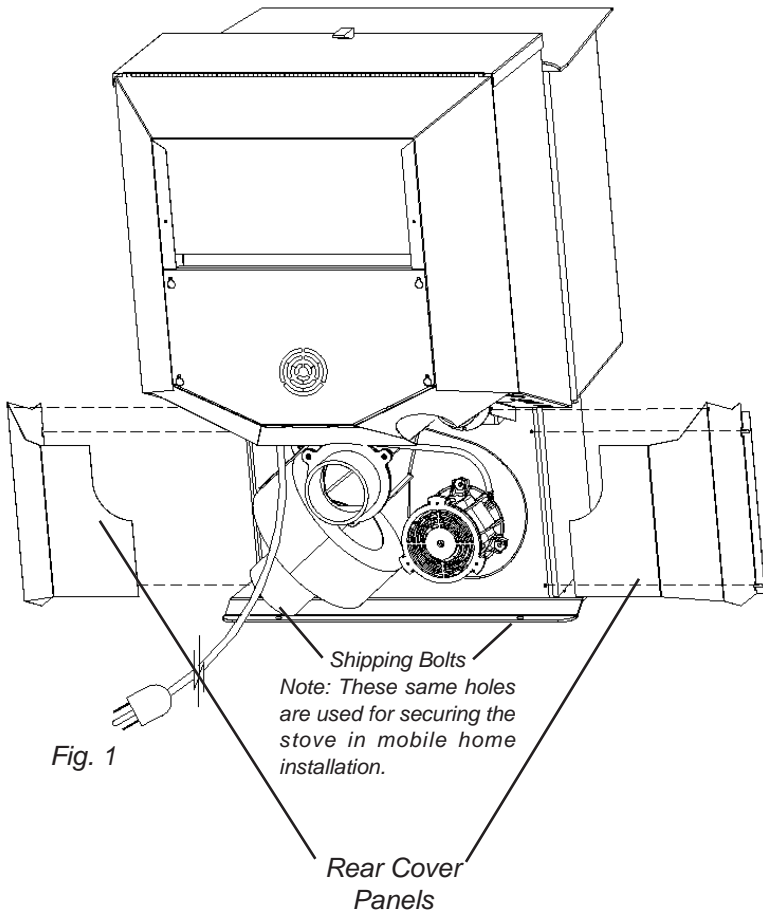
Firebrick

Install the firebrick vertically on the angle bracket above the burnpot.

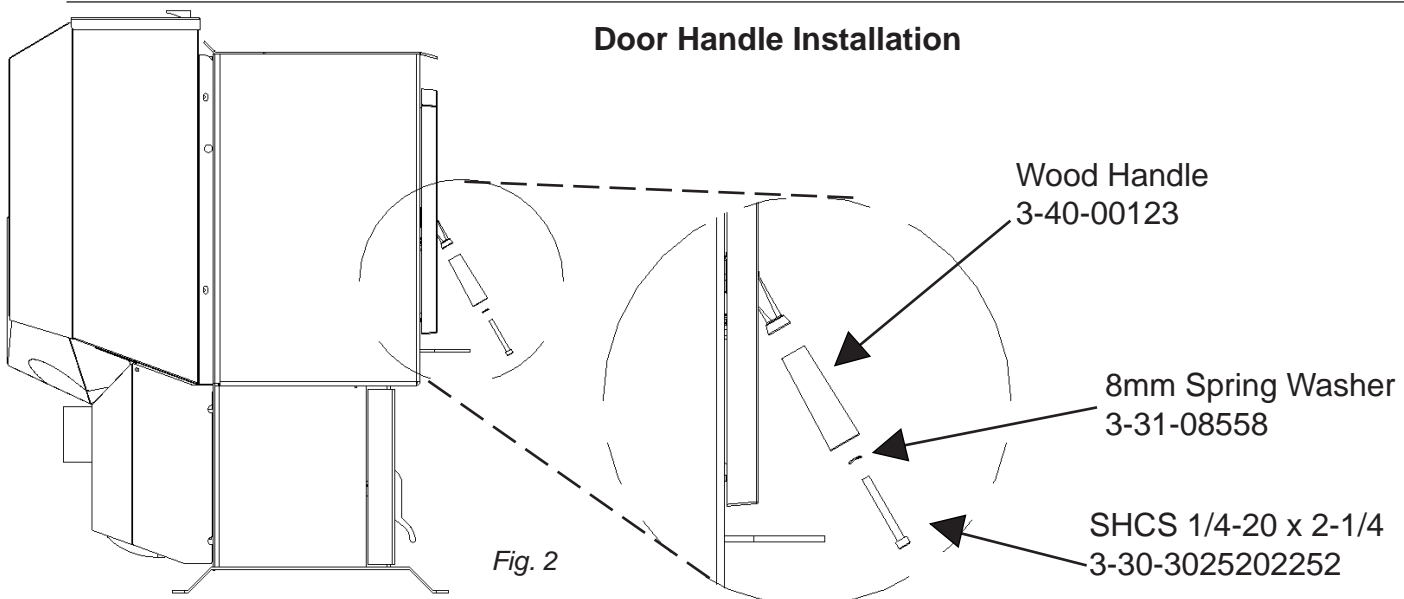
Flame Guide

Install the cast iron flame guide on top of the burn pot. Make sure that the flame guide is fully seated on the vertical sides of the burn pot and that the back of the guide rests against the body of the stove.

INSTALL EXHAUST VENT AT CLEARANCES SPECIFIED BY THE MANUFACTURER. Most pellet pipes require a minimum of 3" of clearance



Door Handle Installation



1. Remove wood handle (P.N. 4-30-00123), 6mm spring washer (P.N. 3-31-08558) and socket head cap screw 1/4-20 x 2-1/4" (P.N. 3-30-3025202252) from hardware pack.

2. Install spring washer and wood handle onto socket head cap screw as shown in fig. 2 and thread onto latch on front door.

3. Tighten using a 3/16" hex key wrench.

Installation

Installing

Place the stove on a noncombustible floor protector that extends a minimum of 6 inches to the front, 2 inches to the sides and flush with the rear of the hopper. See Fig. 6. The minimum floor protector material is 20 gauge sheet metal. Other floor protector materials are ceramic tile, stone, brick, etc.

Place the stove away from combustible walls at least as far as shown in Figures 3, 4 and 5. Please note the difference in side wall clearance with and without side shields.

Note that the clearances shown are minimum for safety but do not leave much room for access when cleaning or servicing. Please take this into account when placing the stove.

Connect the power cord to a 120 V.A.C. 60Hz grounded receptacle. (A surge protector is recommended to protect the circuit board.) If the voltage entering your home is below 116 volts your stove may not work properly. Also be sure that the polarity of the outlet that the stove is plugged into is correct.

Prior to installing the flue pipe, connect a draft meter. (The draft meter must have a minimum range of 0-.5.) Record the first reading. Connect flue pipe to stove and be sure all doors and windows in the home are closed. Record the second draft reading _____. If the second reading is more than .05" lower than the first reading, check for possible restrictions or the need for outside air (see page 9). For more information on the draft test procedure, refer to Page 20.

Mobile Home Installation

When installing this unit in a mobile home several requirements must be followed:

1. The unit must be bolted to the floor. This can be done with 1/4" lag screws through the 2 holes in the base plate.
2. The unit must also be connected to outside air. See page 9.
3. Floor protection and clearances must be followed as shown.
4. Unit must be grounded to the metal frame of the mobile home.

CAUTION: This appliance must be vented to the outside.

Due to high temperatures, the stove should be placed out of traffic and away from furniture and draperies.

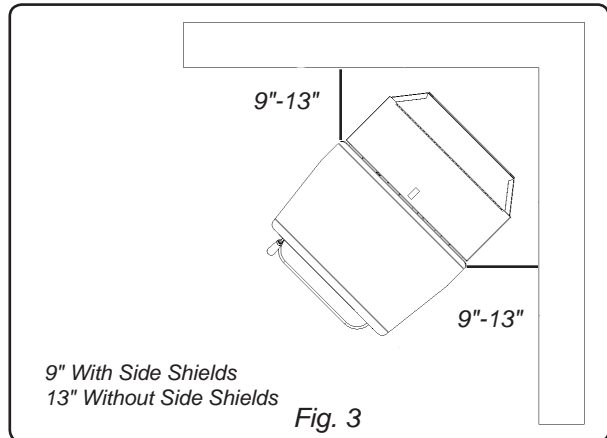
Children and adults should be alerted to the hazards of high surface temperatures and should stay away to avoid burns to skin and/or clothing.

Young children should be carefully supervised when they are in the same room as the stove.

Clothing and other flammable materials should not be placed on or near this unit.

WARNING

**Mobile/Manufactured Home Standards
Do Not Allow Installation In Rooms
Designated For Sleeping.**



9" With Side Shields
13" Without Side Shields

Fig. 3

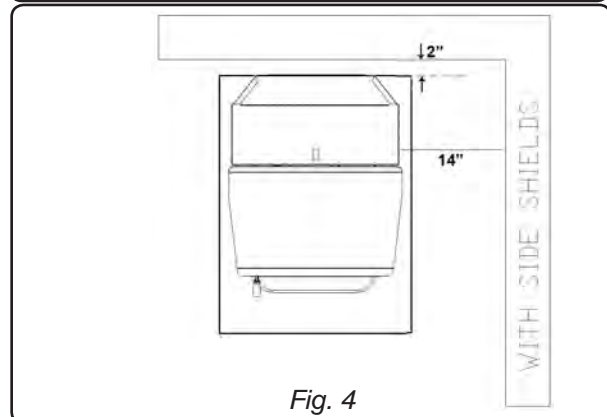


Fig. 4

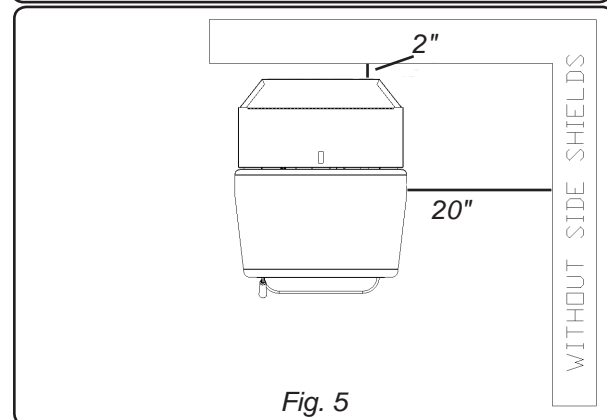


Fig. 5

Floor Protection must be 2 inches to each side, 6 inches to the front, and 0 inches to the back of the stove. Floor Protector minimum: 25" wide x 33" deep.

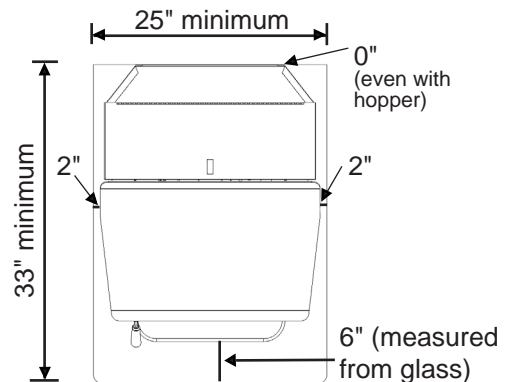


Fig. 6

Venting

Requirements for Terminating the Venting

WARNING: Venting terminals must not be recessed into a wall or siding.

NOTE: Only PL vent pipe wall pass-throughs and fire stops should be used when venting through combustible materials.

NOTE: Always take into consideration the effects of the prevailing wind direction or other wind currents that may cause flyash and/or smoke when placing the termination vent.

In addition, the following must be observed:

A. The clearance above grade must be a minimum of 18".¹

B. The clearance to a window or door that may be opened must be a minimum of 48" to the side, 48" below the window/door, and 12" above the window/door.¹

(with outside air installed, 18")

C. A 12" clearance to a permanently closed window is recommended to prevent condensation on the window.

D. The vertical clearance to a ventilated soffit located above the terminal within a horizontal distance of 2 feet (60 cm) from the center-line of the terminal must be a minimum of 18".

E. The clearance to an unventilated soffit must be a minimum of 12".

F. The clearance to an outside corner is 11" from center of pipe.

G. The clearance to an inside corner is 12".

H. A vent must not be installed within 3 feet (90 cm) above a gas meter/regulator assembly when measured from the horizontal center-line of the regulator.¹

I. The clearance to service regulator vent outlet must be a minimum of 6 feet.¹

J. The clearance to a non-mechanical air supply inlet to the building or the combustion air inlet to any other appliance must be a minimum of 48".¹

K. The clearance to a mechanical air supply inlet must be a minimum of 10 feet.¹

(with outside air installed, 6 feet)

L. The clearance above a paved sidewalk or a paved driveway located on public property must be a minimum of 7 feet.^{1,2}

M. The clearance under a veranda, porch, deck or balcony must be a minimum of 12 inches.^{1,3}

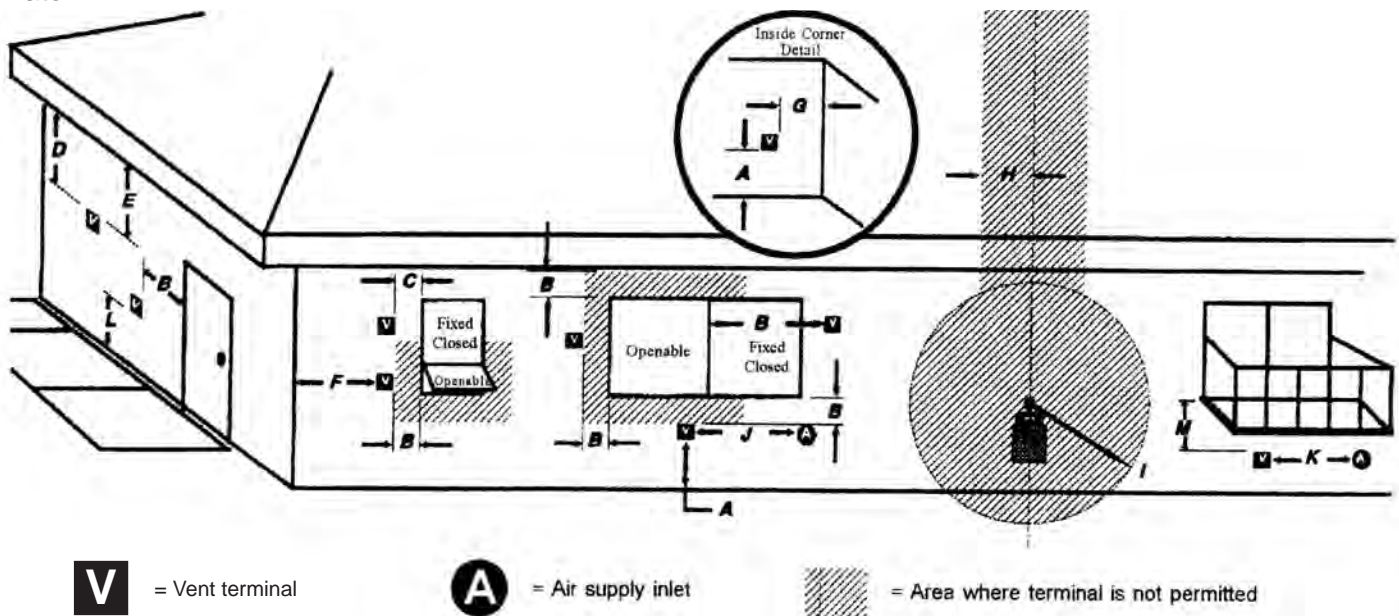
NOTE: The clearance to vegetation and other exterior combustibles such as mulch is 36" as measured from the center of the outlet or cap. This 36" radius continues to grade or a minimum of 7 feet below the outlet.

¹Certain Canadian and or Local codes or regulations may require different clearances.

²A vent shall not terminate directly above a sidewalk or paved driveway which is located between two single family dwellings and serves both dwellings.

³Only permitted if veranda, porch, deck, or balcony is fully open on a minimum of 2 sides beneath the floor.

NOTE: Where passage through a wall, or partition of combustible construction is desired, the installation shall conform to CAN/CSA-B365. (if in Canada)



V = Vent terminal

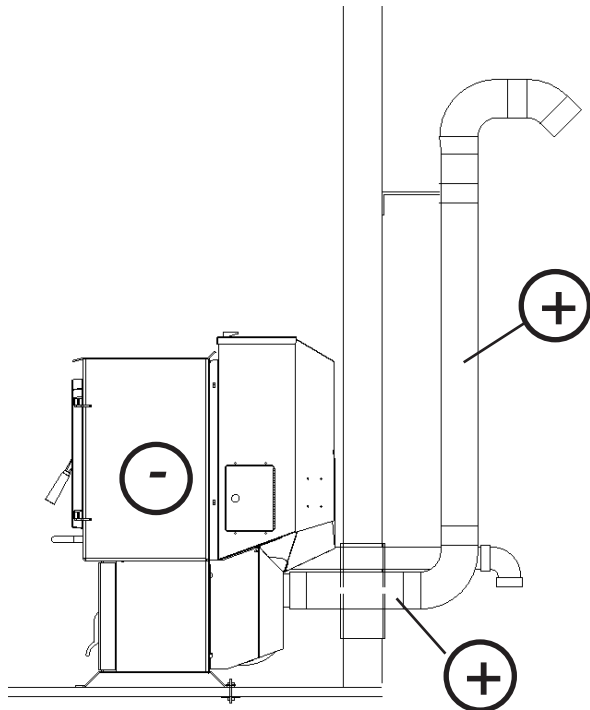
A = Air supply inlet

= Area where terminal is not permitted

Venting

IMPORTANT NOTICE

Approved Pellet Vent Pipe Such As, Type "L" Or "PL", Must Be Used.



⊕ = Positive Static Pressure
⊖ = Negative Static Pressure

Fig. 7

Venting

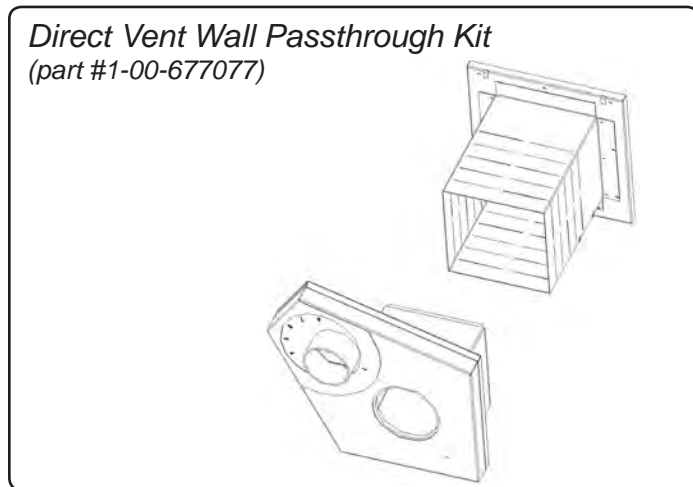
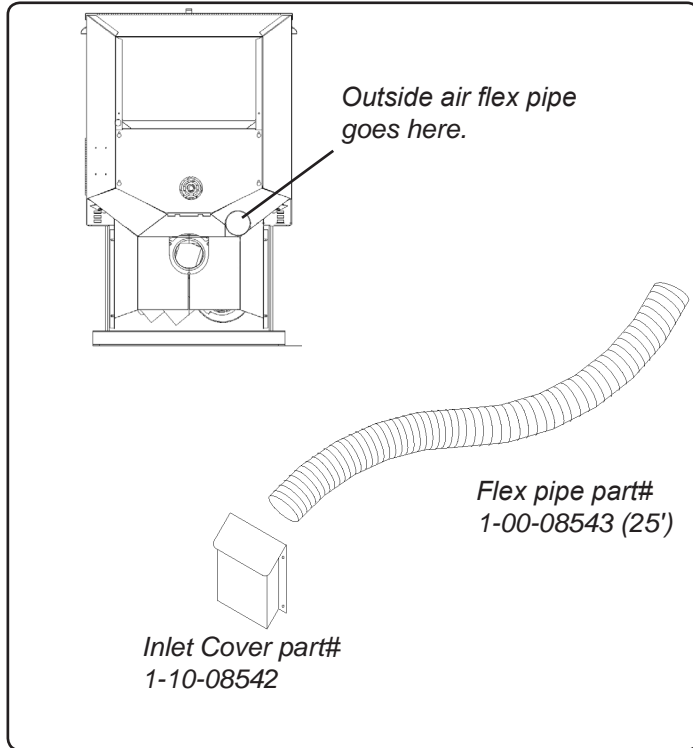
A combustion blower is used to extract the combustion gases from the firebox. This causes a negative pressure in the firebox and a positive pressure in the venting system as shown in Fig. 7. The longer the vent pipe and more elbows used in the system, the greater the flow resistance. Because of these facts we recommend using as few elbows as possible and 15 feet or less of vent pipe. The maximum horizontal run should not exceed 48". If more than 15 feet of pipe is needed, the interior diameter should be increased from 3" to 4" because a larger pipe causes less flow resistance. **Be sure to use approved pellet vent pipe wall and ceiling pass-through fittings to go through combustible walls and ceilings.** The use of a starting collar is not always necessary. The first piece of pipe should be fastened securely with at least 2 fasteners to the flue collar of the stove. If a starting collar is used to attach the venting system to the stove, **the starting collar must be sealed to the stove with high temp silicone caulking.**

Vent Pipe

Pellet venting pipe (known as L or PL vent) is constructed of two layers with air space between the layers. This air space acts as an insulator and reduces the outside surface temperature to allow a clearance to combustibles of 1 to 3 inches. The sections of pipe lock together to form an air tight seal in most cases. However, in some cases a perfect seal is not achieved. For this reason and the fact that the P68 operates with a positive vent pressure **we specify that the joints also be sealed with silicone.** Aluminum tape can also be used for any joint that is 1ft. or more from the outlet of the stove.

We cannot emphasize enough, the importance of sealing every seam and joint in the venting system which is inside the home. Even the smallest pin hole can leak and when it does you will smell wood smoke or a creosote smell in the room. If this occurs check for leaks. Leaks are easiest to see during start-up. Alternatively you can use a smoke pellet to leak test the venting before lighting your first fire.

Venting



Outside Air

Here are four benefits of outside air:

1. Having air introduced from outside the living area boosts overall efficiency.
2. It eliminates draft problems that can occur in tight homes.
3. It reduces smoke spillage in the event of a power failure.
4. It allows your vent termination to be as close as 18" from windows or doors.

Outside air is optional except in mobile homes and where building codes require. The benefit of outside air is mainly noticed in small, very tight, houses.

To install outside air use 2 3/8" I.D. non-combustible flex pipe. There is a break-away hole on the rear panel of the P68 stove which must be removed before connecting the flex pipe. The pipe should be run outside and terminate to the side or below the vent pipe outlet so the flue outlet is more than 12" from the inlet cover. The maximum length run of this pipe is 15 feet. If a longer run is needed the size must be increased to 3". Inlet cover part number 1-10-08542 should be used to keep birds, rodents, etc. out of the pipe.

You may choose to use the optional Direct Vent Wall Passthrough Kit (part #1-00-677077) which incorporates the venting passthrough and outside air inlet into one component.

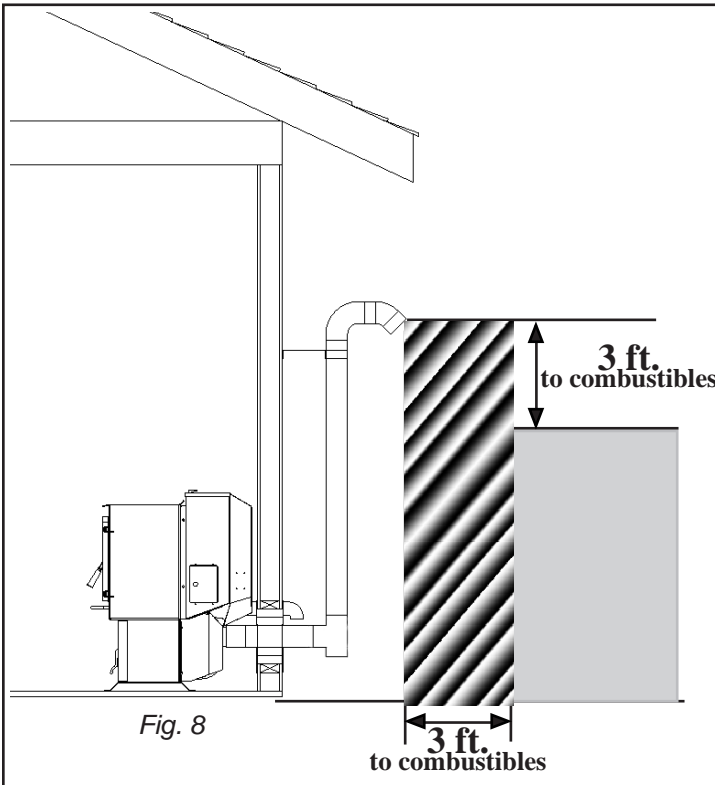
HRV

When installing in a house with a Heat Reclaiming Ventilation System (HRV) be sure the system is balanced and is not creating a negative pressure in the house.

Venting

#1 Preferred method

This method provides excellent venting for normal operation and allows the stove to be installed closest to the wall. Two inches from the wall is safe; however, four inches allows better access to remove the rear panel. The vertical portion of the vent should be three to five feet high. This vertical section will help provide natural draft in the event of a power failure. **Note: Do not place joints within wall pass-throughs.**

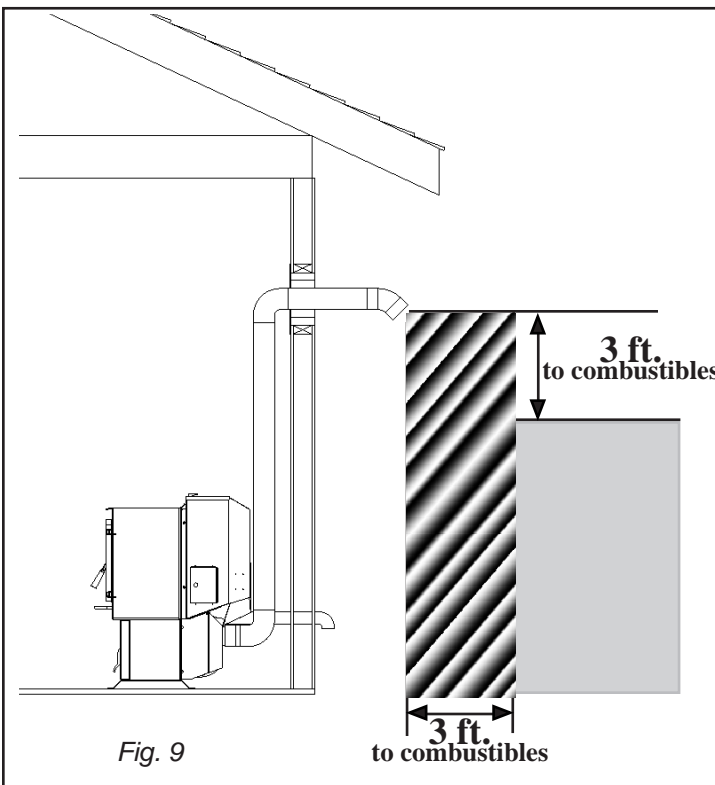


#2 Preferred method

This method also provides excellent venting for normal operation but requires the stove to be installed farther from the wall. The vertical portion of the vent should be three to five feet high and at least three inches from a combustible wall. This vertical section will provide natural draft in the event of a power failure.

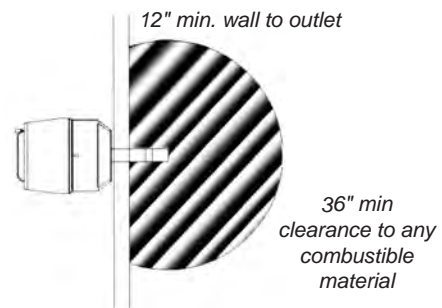
If the stove is installed below grade be sure the vent termination is at least 18" above grade. The outlet must also be 1 foot from the house/building.

Note: Do not place joints within wall pass-throughs.



CAUTION

Keep combustible materials (such as grass, leaves, etc.) at least 3 feet away from the flue outlet on the outside of the building.



Venting

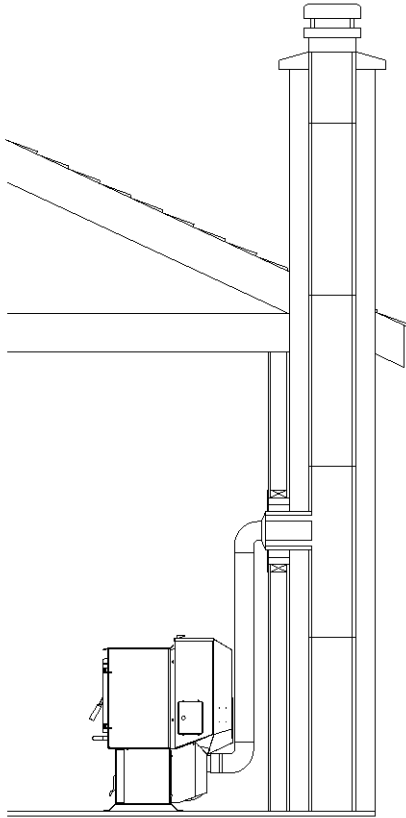


Fig. 10

#4 Installing into an existing chimney

This method provides excellent venting for normal operation. This method also provides natural draft in the event of a power failure. If the chimney condition is questionable* you may want to install a liner as in method #7.

*The chimney should be inspected and cleaned before installing your stove. If you discover that the chimney does not have a clay tile liner or has cracks or flaking of the tile liner you will need to install a stainless steel liner within the chimney. In most cases the inside diameter of this liner should be 4". Either flexible or rigid liner may be used for this purpose. Refer to Method 6 & 7.

Be sure to design the venting so that it can be easily cleaned.

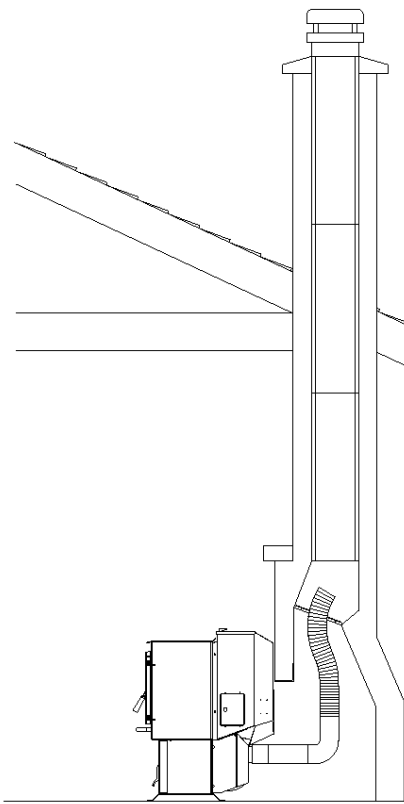


Fig. 11

#5 Installing into an existing fireplace chimney

This method provides excellent venting for normal operation. This method also provides natural draft in the event of a power failure. If the chimney condition is questionable* you may want to install a liner as in method #6.

*The chimney should be inspected and cleaned before installing your stove. If you discover that the chimney does not have a clay tile liner or has cracks or flaking of the tile liner you will need to install a stainless steel liner within the chimney. In most cases the inside diameter of this liner should be 4". Either flexible or rigid liner may be used for this purpose. Refer to Fig. 6 & 7.

The chimney should be sealed at the damper using a steel plate, or with insulation at the first flue tile. In both cases the connector pipe should extend through the smoke chamber to the base or into the first flue tile.

Be sure to design the venting so that it can be easily cleaned.

Venting

#6 Installing into an existing fireplace chimney

This method provides excellent venting for normal operation. This method also provides natural draft in the event of a power failure.

In some places in the US and Canada it is required that the vent pipe extend all the way to the top of the chimney.

In this method a cap should also be installed on the chimney to keep out rain. Be sure to use approved pellet vent pipe fittings. Seal pipe joints with silicone or aluminum tape in addition to the sealing system used by the manufacturer. Pipe size should be increased to 4" using this method.

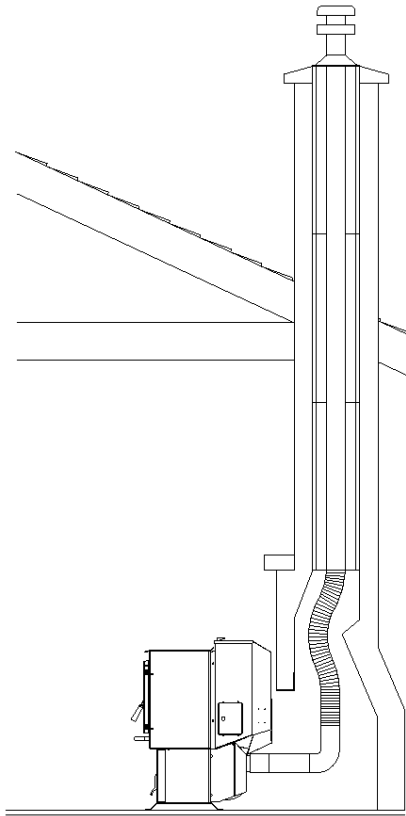


Fig. 12

#7 Installing into an existing chimney

This method provides excellent venting for normal operation. This method also provides natural draft in the event of a power failure.

In some places in the US and Canada it is required that the vent pipe extend all the way to the top of the chimney. The pipe or liner inside the chimney should be 4" diameter.

In this method a cap should also be installed on the chimney to keep out rain.

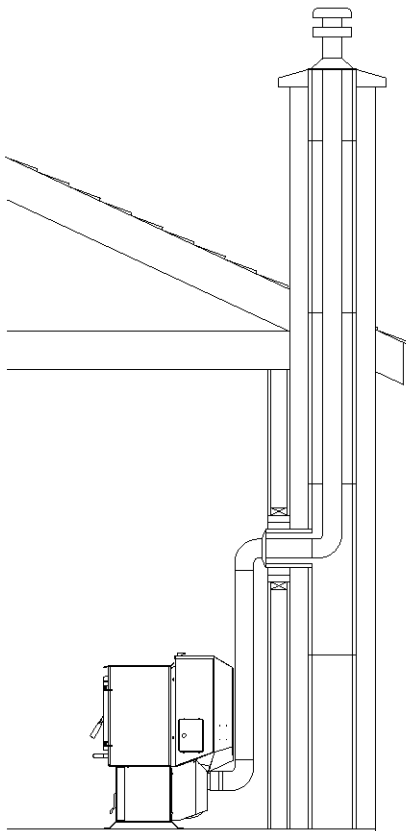


Fig. 13

Venting

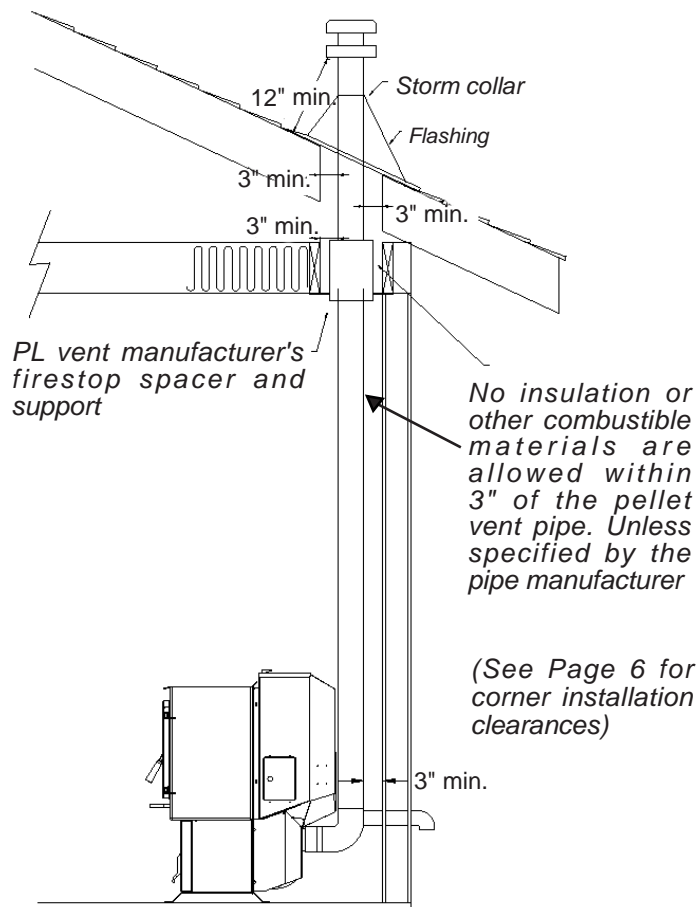


Fig. 14

#8 Installing through the ceiling

Through the ceiling vent, follow PLvent manufacturers recommendations when using wall and ceiling pass through. **Note: Do not place joints within wall pass-throughs.**

Minimum flue vent configuration

It is recommended that outside air be installed with this venting configuration to reduce smoke and creosote smell in the room in the event of power failure.

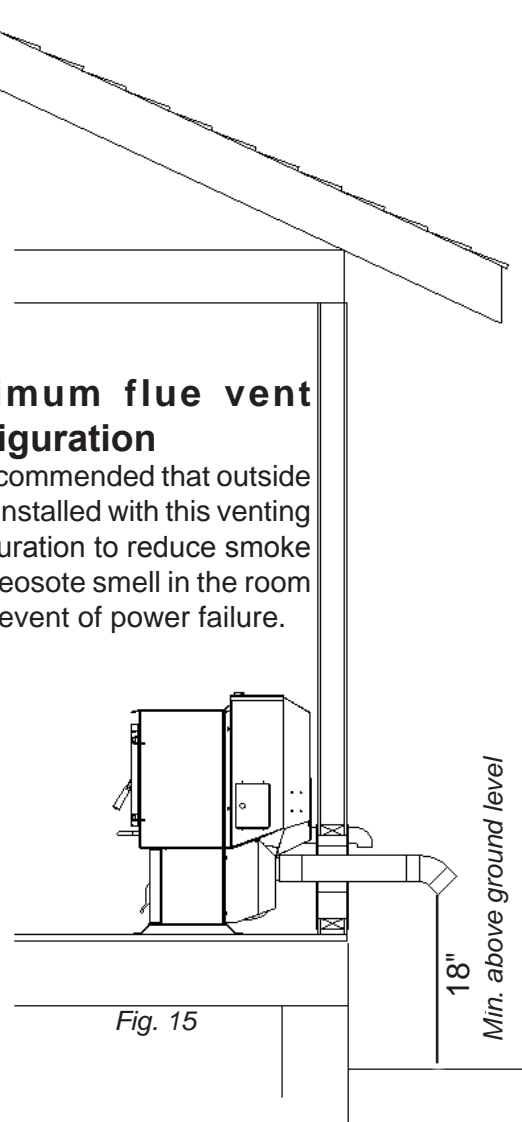


Fig. 15

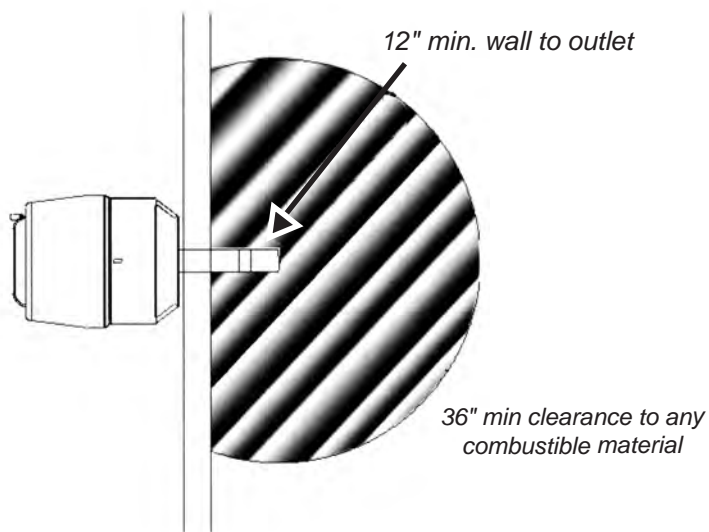


Fig. 16

P68 AUTOMATIC IGNITION/OPERATION

The P68 is a fully automatic stove that features two operating modes; **Stove Temperature Mode** and **Room Temperature Mode**. In Stove Temperature Mode, you select a burn rate and the stove will remain at the same burn rate regardless of the room temperature.

In the Room Temperature Mode the stove constantly monitors the temperature in the room and adjusts the size of the fire and the heat output of the stove so that the room is kept at a constant temperature. Room mode, in the AUTO position, has the added advantage of turning the stove off if no heat is required and turning the stove on again when the room temperature drops below your desired room temperature.

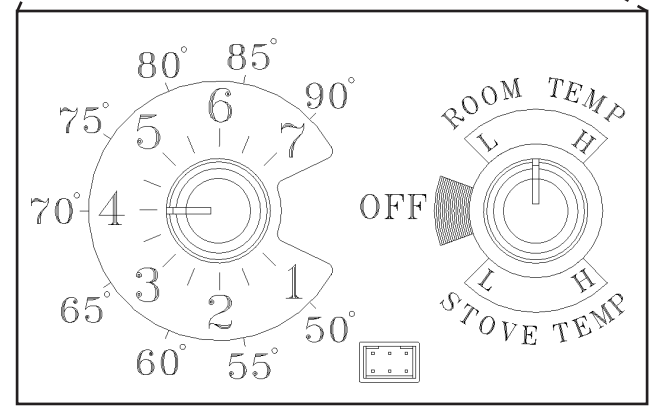
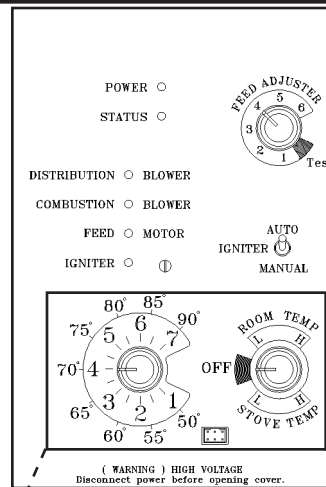
Room Temperature Mode

Most consumers use the stove in the Room Temperature Mode because it is the easiest and most efficient method of keeping the room at a given temperature. In the Room Temperature Mode, the Room Sensing Probe constantly monitors room temperature. As the weather changes outside and your home needs varying amounts of heat to be at a desired temperature, the stove will automatically increase size and heat output of the fire so that a constant even temperature is maintained. If the weather warms up and no heat is required the stove will gradually shut down. When the house cools down the stove will automatically bring the room temperature to the precise temperature you desire.

In the Room Temperature Mode you can select either **Auto or Manual modes** for the **igniter** using the igniter toggle switch. When the toggle switch is in the Auto position the igniter located inside the burn pot is ready to automatically light the fire when required. When the toggle switch set to the Manual position the stove can be lit manually with either a gel or a wax type fire starter. (see lighting instructions on page 17.) With the igniter toggle switch set in the Manual position the stove will automatically adjust heat output, but the stove will not automatically shut down if no heat is required. Instead it will go to its lowest setting and remain there. The Manual position on the igniter toggle switch lets you light the stove manually, should the igniter fail for any reason. Secondly if you are using the Harman battery back up system the Manual setting will prevent the stove from turning off and on during a power failure, which would drain the back up battery, and possibly cause damage to the back-up or the stove.

In the Room Temperature Mode, the distribution blower speed can be increased or decreased by adjusting the Room Temp/Off/Stove Temp dial between L and H. As output of the stove increases, the speed of the blower will increase automatically to insure that more heat is transferred out into the room. The distribution blower will shut off as the room reaches the set temperature, this will prevent overheating of the room.

Room Temperature Mode



Room Temperature Mode: This setting, see above, will produce a room temperature of 70 degrees with the distribution blower at medium speed.

P68 AUTOMATIC IGNITION/OPERATION

Stove Temperature Mode

In the Stove Temperature Mode and with the igniter toggle switch in the Auto position, the stove will light automatically and can be adjusted to the desired setting using the same temperature control dial as is used in the Room Temperature Mode. The heat output and fuel consumption will remain constant regardless of room temperature. The settings from 1 to 7 on the inner ring of the dial provide for relative heat output settings with 1 being low and 7 being the maximum.

In Stove Temperature Mode, the stove will not automatically shut off unless the stove runs out of fuel or is turned off.

Never pull the plug to shut down the stove. This will stop the combustion blower and smoke will escape through window and door gaskets.

When the igniter toggle switch is set to manual in this mode, the distribution blower will not turn on with a temperature dial setting from 1 to 5. The advantage of this mode is to allow the operator to have a large viewing fire without blowing extra heat into the room.

During **manual** operation, with the temperature dial set at #5 or less, the distribution fan will not operate. A #5 on the temperature dial and a #5 on the feed adjuster is approximately 80% output. It is not necessary to operate the distribution blower below this point. Therefore, the control allows a higher burn rate (a larger viewing fire) without an excess of hot air blowing into the room.

An example of when to use the Manual Stove Temperature Mode is if you want to watch a large fire and the room is already up to temperature. The Stove Temperature Mode allows you to have a larger fire and a lower sound level, without the distribution blower.

NOTE: During the use of this mode, if you keep increasing the temperature dial setting to increase the fire size, the distribution blower will automatically come on when the ESP Temperature reaches 350° F, or 81% output.

Feed Adjuster Knob

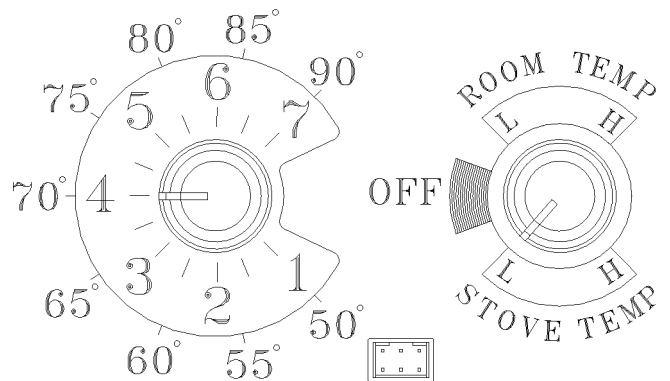
For most premium grade pellet fuels the Feed Adjuster Knob should be set at 4. If higher ash fuels are used the setting should be increased to 5 or 6. Also higher settings are required if you would like to get the maximum heat output from the stove. At the maximum burn rate (with the temperature dial on 7/90° and the feed adjuster at 6) there should be 1" or more of ash on the front of the burn pot. If there is less than 1" of ash, turn the feed adjuster knob down to a lower setting.

Shut Down Procedure

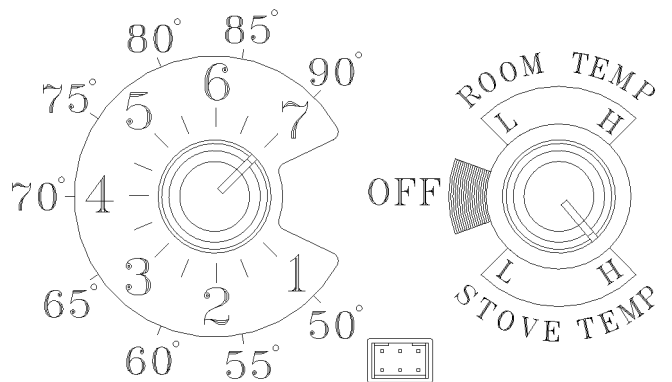
The best way to shut down the stove is simply let it run out of pellets. The stove will shut down automatically. Alternatively, you can turn the Mode Selector to "off". This will cause the fire to gradually die down and go out. The fire will not go out immediately and may take more than an hour to fully shut down.

If the stove is left to run out of fuel, you may get a 6 blink status light. If this happens simply reset the control board by turning the mode selector to OFF and back ON.

Stove Temperature Mode



The setting above will produce continuous medium heat output with the distribution blower at low speed.



The setting above will produce continuous maximum heat output with the distribution blower at full speed.

P68 AUTOMATIC START UP

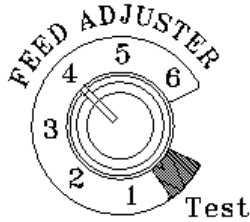


Fig. 17

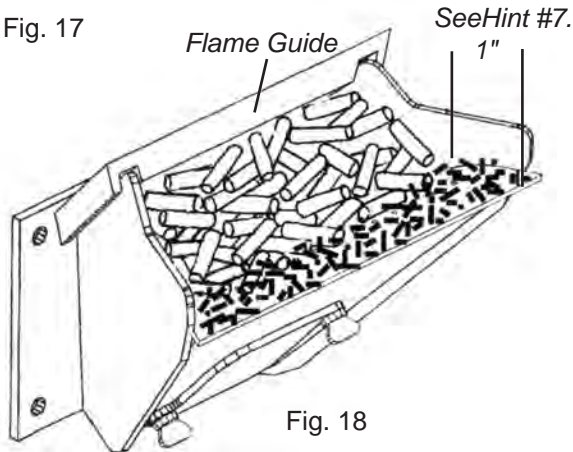


Fig. 18

Helpful Hints

1. Fines are small pieces of broken pellets (sawdust). Fines do not flow easily and often build up on the hopper funnel bottom angles. You can push these fines into the feeder opening and then fill the hopper with pellets. As the system works, they will be burned. Or you can clean them out before filling the hopper.
2. The "TEST" cycle will operate the feeder motor for exactly one minute. Turning to "TEST" again and again may purge too much fuel into the burn pot causing excessive smoke on start-up.
3. The firebox low pressure switch will not allow the auger motor or the igniter element to operate if the view door or the ash pan door are open.
4. Adjust Feed Rate. If this is your first fire or you are trying different pellets, set the feed adjuster to #4, Fig. 17. This is a conservative number and will probably need to be increased. After you know a feed rate setting that works well, use that setting. Remember, if your feed rate is too high you may waste fuel.
5. This is usually a weekly maintenance procedure. Cleaning the burn pot with the scraper with a small amount of new fuel in the bottom is not a problem. First, scrape the ashes on the front of the burn pot into the ash pan. Then, scrape the top surface of the burn pot downward into the base of the burn pot. When the stove is ignited these scrapings will be pushed out by the feeder and burned.
6. The ash pan can hold the ashes from approximately 1 ton of premium fuel. This means the ashes will only need to be emptied a few times a year.
7. Setting the feed adjuster # for maximum burn: With the unit burning in "AUTO", turn to "Stove Mode" and put the fan on "H". Set the Temperature Dial to #7. Allow the unit to burn for about 30 minutes and check ash on front of burn pot. Fig. 18. If the ash line is larger than 1", turn the feed adjuster from #4 to #5. Allow another 30 minutes of burn time and check again. If, at #6 setting, a 1" or less ash bed is not obtainable, it is not a problem. The 1" ash bed is only a maximum burn rate and at most normal settings the ash bed will be larger.

Starting First Fire

Igniter Switch to "AUTO"(up position)

Make sure the unit is plugged into a 120 VAC, 60 HZ electrical source. The power light should be the only light lit.

NOTICE:

Be Sure there is no fuel or other combustibles in the ash pan prior to lighting.

1. Turn Mode Selector to "OFF".
2. Fill hopper with pellets.¹
3. Clean burn pot with scraper, if necessary.⁵
4. If starting after an empty hopper, turn Feed Adjuster to "TEST" (for one 60 second cycle).² This will purge pellets into the auger tube and also allow you to check the motors for operation.
NOTE: The auger motor will not operate with the view door or ash pan door open.³
5. Turn Feed Adjuster to #4.⁴
6. Flip the Igniter Switch up into the "AUTO" position.
7. Turn the Temperature Dial to desired room temperature.
8. Turn Mode Selector to Room Temperature or Stove Temperature.
9. Fill hopper with pellets and remove ashes as required.⁶

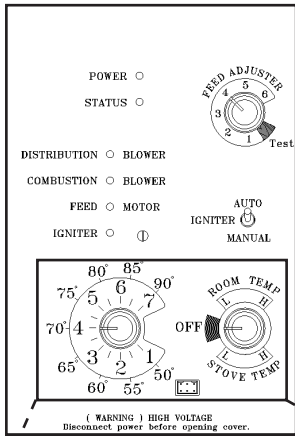
WARNING

"NEVER USE GASOLINE, GASOLINE-TYPE LANTERN FUEL, KEROSENE, CHARCOAL LIGHTER FLUID, OR SIMILAR LIQUIDS TO START OR "FRESHEN UP " A FIRE IN THIS HEATER. KEEP ALL SUCH LIQUIDS WELL AWAY FROM THE HEATER WHILE IN USE".

WARNING

ONLY USE WOOD PELLET FUEL. DO NOT BURN GARBAGE IN STOVE.

P68 MANUAL IGNITION/OPERATION



The P68 Pellet Stove is capable of manual operation. This also allows the operator to manually control operation during an emergency (i.e. igniter failure, when using a 502H battery backup, as opposed to the 512H, or when using certain generators.)

The unit can be switched between "AUTO" and "MANUAL" at any time during operation.

Room Temperature Mode: This setting, see below, will produce a room temperature of 70 degrees with the distribution blower at medium speed.

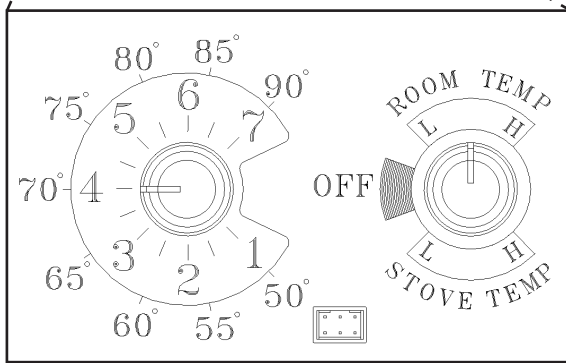
NOTE: When starting the unit in the "AUTO" mode and switching to "MANUAL", the fire must be large enough to start the distribution blower. The starting of the blower is a signal that the start cycle is completed and the fire will not go out.

Igniter Switch to "MANUAL"

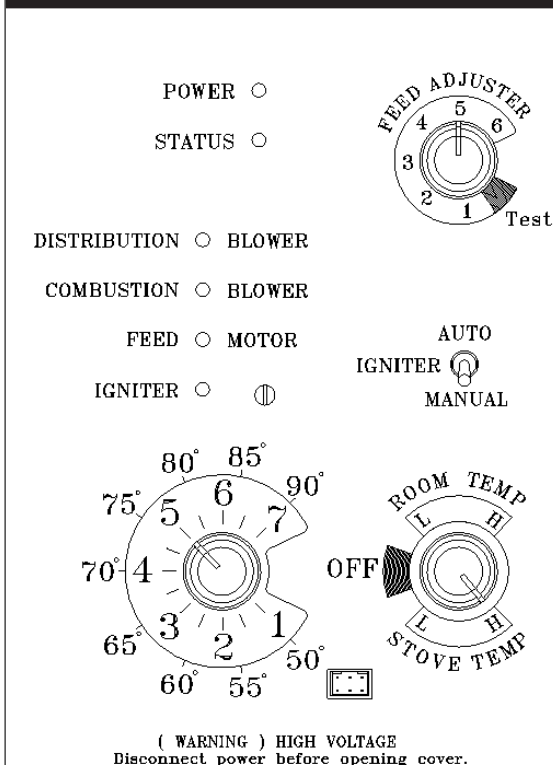
Room Temperature Mode

The fire will have to be lit with starting gel and a match, or started automatically, see "Automatic Operation" on Page 15. Turn to "Manual" position when the fire is established.

The difference between "AUTO" Room Temperature Mode and "Manual" Room Temperature Mode is that the fire will not go out as the room temperature goes above the control board setting. The unit can only go to low burn and will remain there until it runs out of fuel or until more heat is needed and the feed rate increases. Feed rate adjustments and dial settings are the same as "AUTO" settings. The blower will shut off completely if the temperature on the ESP is too low.



Manual Stove Temperature Mode



This setting will produce a large viewing fire without a distribution blower operating.

Igniter Switch to "MANUAL"

Stove Temperature Mode

The advantage of this mode is to allow the operator to have a large viewing fire without blowing extra heat into the room.

During operation, with the temperature dial set at #5 or less, the distribution fan will not operate. A #5 on the temperature dial and a #5 on the feed adjuster is approximately 80% output. It is not necessary to operate the distribution blower below this point. This control setting allows a higher burn rate (a larger viewing fire) without an excess of hot air blowing into the room.

An example of when to use the Manual Stove Temperature Mode is if you want to watch a large fire and the room is already up to temperature. The Stove Temperature Mode allows you to have a larger fire and a lower sound level, without the distribution blower.

NOTE: During the use of this mode, if you keep increasing the temperature dial setting to increase the fire size, the distribution blower will automatically come on when the ESP Temperature reaches 350° F, or 81% output.

P68 MANUAL START UP

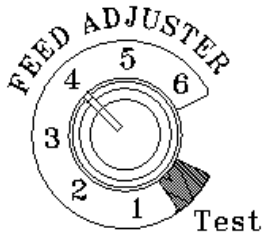


Fig. 19

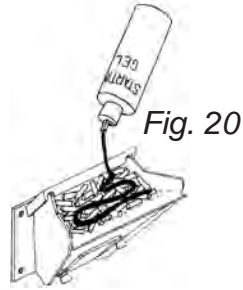


Fig. 20

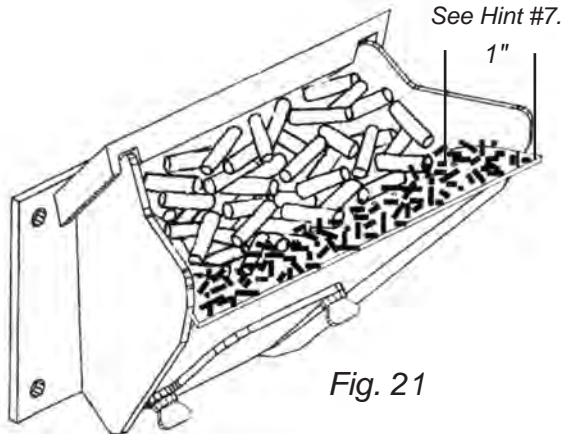


Fig. 21

Helpful Hints

1. Fines are small pieces of broken pellets (sawdust). Fines do not flow easily and often build up on the hopper funnel bottom angles. You can push these fines into the feeder opening and then fill the hopper with pellets. As the system works, they will be burned. Or you can clean them out before filling the hopper. As the system works, they will be burned.
2. The "TEST" cycle will operate the feeder motor for exactly one minute. Turning to "TEST" again and again may purge too much fuel into the burn pot causing excessive smoke on start-up.
3. The firebox low pressure switch will not allow the auger motor or the igniter element to operate if the view door or the ash pan door are open.
4. Adjust Feed Rate. If this is your first fire or you are trying different pellets, set the feed adjuster to #4, Fig. 19. This is a conservative number and will probably need to be increased. After you know a feed rate setting that works well, use that setting. Remember, if your feed rate is too high you may waste fuel.
5. This is usually a weekly maintenance procedure. Cleaning the burn pot with the scraper with a small amount of new fuel in the bottom is not a problem. First, scrape the ashes on the front of the burn pot into the ash pan. Then, scrape the top surface of the burn pot downward into the base of the burn pot. When the stove is ignited these scrapings will be pushed out by the feeder and burned.
6. The ash pan can hold the ashes from approximately 1 ton of premium fuel. This means the ashes will only need to be emptied a few times a year.
7. Setting the feed adjuster # for maximum burn: With the unit burning in "AUTO", turn to "Stove Mode" and put the fan on "H". Set the Temperature Dial to #7. Allow the unit to burn for about 30 minutes and check ash on front of burn pot. Fig. 21. If the ash line is larger than 1", turn the feed adjuster from #3 to #4. Allow another 30 minutes of burn time and check again. If, at #6 setting, a 1" or less ash bed is not obtainable, it is not a problem. The 1" ash bed is only a maximum burn rate and at most normal settings the ash bed will be larger.

Starting First Fire

Igniter Switch to "MANUAL" (down position)

Make sure the unit is plugged into a 120 VAC, 60 HZ electrical source. The power light should be the only light lit.

NOTICE:

Be Sure there is no fuel or other combustibles in the ash pan prior to lighting.

1. Turn **FEED ADJUSTER** to desired feed rate. No. 4 is good for most pellets.⁴
2. Turn the **MODE SELECTOR** to "OFF" and then to the desired mode. This will reset control and start the combustion motor.
3. Turn the **TEMPERATURE DIAL** to the desired setting.
4. Clean burn pot with scraper if necessary.⁵
5. Fill burn pot with pellets, only level with front edge. (Do Not Over Fill).
6. Add starting gel on top of the pellets. Stir gel into pellets for fast lighting.
7. Light starting gel with a match, and close the door. Operation will begin when the fire reaches the proper temperature.³
8. Fill hopper with pellets and remove ashes as required.^{1,6}

WARNING

"NEVER USE GASOLINE, GASOLINE-TYPE LANTERN FUEL, KEROSENE, CHARCOAL LIGHTER FLUID, OR SIMILAR LIQUIDS TO START OR "FRESHEN UP " A FIRE IN THIS HEATER. KEEP ALL SUCH LIQUIDS WELL AWAY FROM THE HEATER WHILE IN USE".

WARNING

ONLY USE WOOD PELLET FUEL. DO NOT BURN GARBAGE IN STOVE.

P68 AUTOMATIC IGNITION ESP CONTROL

Power Light

Indicates power to the control.

Status Light

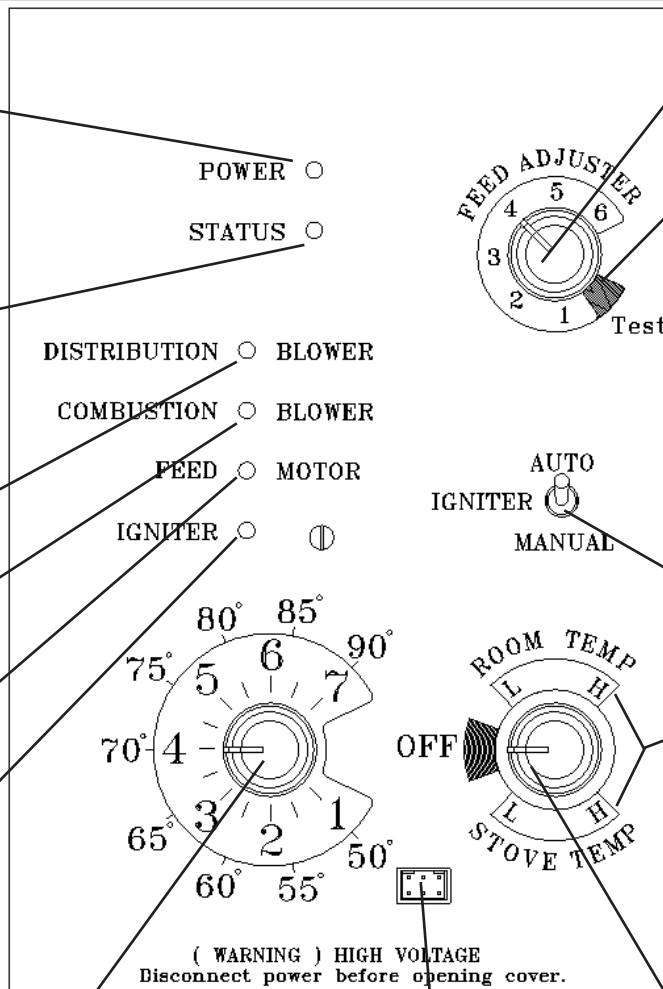
Will be lit in either stove or room temp mode when pointer is not within off position band except after normal shut down. Blinks to indicate errors listed below.

Indicates power to distribution blower.

Indicates power to combustion blower

Indicates power to the feed motor.

Indicates power to the igniter



Feed adjuster

Sets the maximum feed rate

Test

Runs all motors at full speed for one minute to check operation. After two minutes the stove will go to minimum burn and the blowers will alternate from high to low every minute to remind you that you are still in "Test Mode".

Igniter switch

Set to appropriate Start-Up mode.

Distribution Blower speed adjustment range.

L = low
H = high

Variable speed anywhere between L and H; although as the stove temp. goes up, so does the low end of the scale.

Mode Selector

Allows you to choose between Room Temp Mode, Stove Temp Mode, or OFF. Also allows you to vary the distribution blower speed by turning the knob to the high or low side of each mode.

Temp dial

Allows you to adjust the room temperature in Room Temp Mode using the outer scale marked in degrees Fahrenheit. It also allows you to adjust the stove temperature while in Stove Temp Mode using the inner scale marked from 1 to 7.

Dealer Diagnostic Port

For dealer maintenance only. Requires special DDM monitor supplied to Harman Dealers exclusively.

Status light error messages:

1 Blink: Indicates control board self diagnostic failure. This requires a manual reset*.

3 Blinks: Indicates ESP (Exhaust Sensing Probe) failure. This requires a manual reset*.

4 Blinks: Can occur only in Room Temp Mode and indicates Room Sensing Probe failed or not installed. If a Room Sensing Probe is then installed, the status light will automatically reset.

5 Blinks (In Igniter Auto. Mode Only): Indicates that the unit has failed to light within the 36 minute start cycle. To reset - Turn Mode Selector to "OFF", then turn to either mode again.

6 Blinks : Indicates that the control has calculated poor or incomplete combustion occurring for more than 50 minutes.

A six blink status may be set if the stove is allowed to run out of pellets. To reset, turn mode selector to "OFF" then back on to the desired mode. If the unit was not out of pellets, see Troubleshooting section, Page 27, for more details.

* **Manual reset-** disconnect power cord for a few seconds and reconnect. If error still occurs call your Dealer.

P68 Low Draft Voltage Adjustment

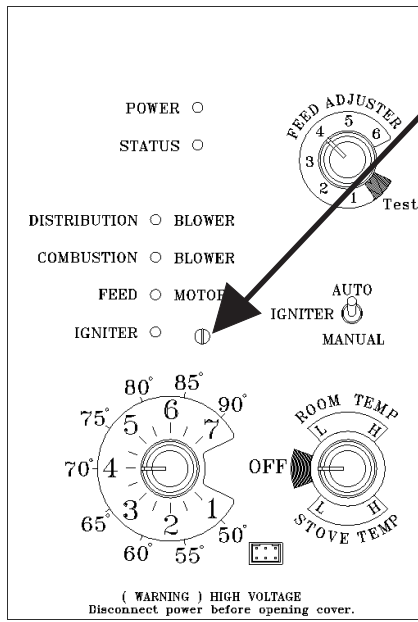


Fig.22

Combustion Motor Speed Control

Low draft only set point.

The small straight screwdriver slot is plastic; therefore, the unit can be adjusted while in operation.

Draft Meter bolt hole location

On a P68 the draft test hole is under the left rear corner of the firebox.

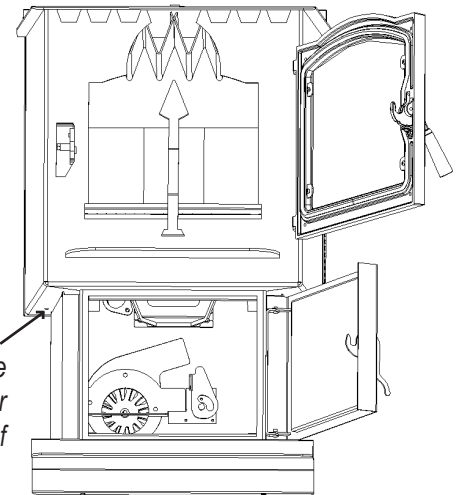


Fig. 23

Low Draft Voltage Adjustment

These units are pre-tested at the factory with exactly 120 Volts A.C., 60 Hz. They are checked and adjusted for firebox tightness, gasket leakage, motor operation and igniter operation. The P68 is then factory set at a mid-point adjustment and in most cases will not need any adjustments. **NOTE: The factory low draft setting may not be correct for the unit's permanent installation conditions.**

The control board on the P68 is equipped with a low draft adjustment port. Located on the control face just to the right of the igniter light. This voltage adjustment is provided to allow the unit to be adjusted for the household voltage where the unit is going to be in permanent operation. **NOTE: The line voltage varies from area to area and often home to home.**

The low draft voltage should be adjusted to achieve the most efficient burn on low burn or "maintenance". This voltage adjustment allows the installer to change the low voltage set point approximately 10 volts. This adjustment should be done by the installer during set up because a draft meter reading is **required** to insure proper set up.

If the unit is not adjusted properly, it does not cause a safety concern. If the unit is adjusted too high, only efficiency is lost. If the unit is adjusted too low, the low draft pressure switch will not allow the feed motor or the igniter to operate.

A simple draft test should be performed after completing the flue pipe installation. To record the results for future reference:

1. Plug unit into a 120VAC, 60 HZ outlet.
2. Close the hopper lid, front view door, and the ash pan. Neither pellets or a fire are required for this test.
3. With the mode selector in the "OFF" position, turn the feed adjuster to "TEST".
4. Record the high draft _____ in W.C. (Normal is -.50 to -.60) The control will be on the High Draft for a total of 2 minutes.
5. After 2 minutes, the combustion motor will go down to low draft and the distribution blower will go on high. Allow approximately 15 seconds to pass for the combustion motor to slow before checking the low draft.
6. If the low draft is between -.35 and -.45, record the reading _____ in W.C. If the reading is higher, slowly turn the set screw counter-clockwise until the draft lowers. If the reading is lower, very slowly turn the set screw clockwise until the draft increases.

NOTE: The test mode alternates from high to low draft every 60 seconds. If more time is needed for draft adjustment, wait until the next low draft cycle.

NOTE: In some cases, the draft may not go as low as -.35 to -.45 even with the set screw completely counter-clockwise. Ideally, you should just set it as low as possible.

Room Sensor and Rear Shield Installation

Room Sensor Installation



Fig. 24

The room sensor is a small temperature sensor on the end of a 60" gray wire. This sensor is installed much like a standard wall thermostat. Because it is so small, it can be hidden along the trim of a doorway or even up the leg of a coffee table. There is a remote room sensor port on the rear of the unit for easy external connection. Use standard 18-2 thermostat wire to extend the distance to the desired location (100' maximum). The room sensor should be installed in the location where you want to control the temperature.

In most installations locating the room sensor behind the stove near the distribution fan works well because the sensor monitors the room air being drawn into the distribution fan.

NOTE: Distances of more than 25 feet from the unit or in another room are not recommended. The room sensor is essential for the P68's excellent efficiency.

NOTE: It is recommended that the room sensor be installed, even if only installed on the rear of the unit as a return air sensor.

Rear Shields

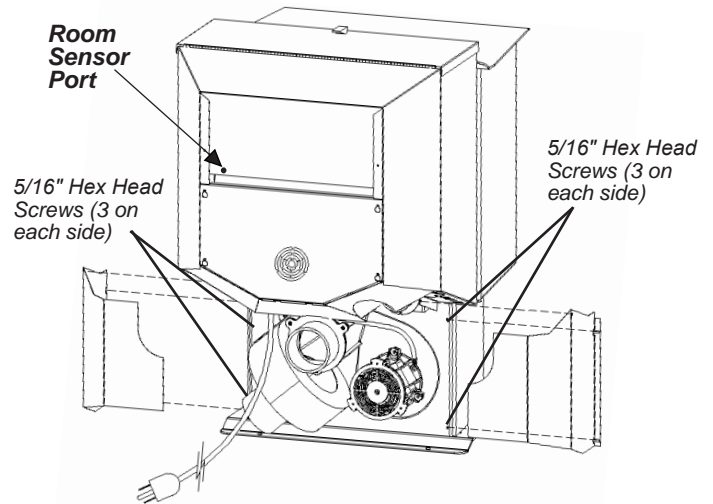


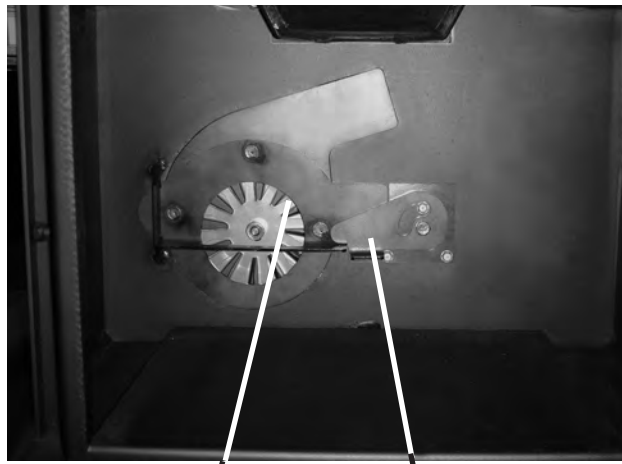
Fig. 25

The rear insulated shields are split in the middle for easy removal. Each shield has (3) 5/16" hex head screws. Two (2) that only need to be loosened, and one (1) that needs to be completely removed, to allow the shield to slide away from the unit. **NOTE: It is not recommended that the unit be operated with the shields removed, due to the hot and moving parts which they protect.**

Maintenance

Cleaning the Door Glass

- Always use a soft cloth and glass cleaner (such as Windex, or a mixture of vinegar & water) to clean the glass.
- Do not use razor blades or any other hard object to scrape the glass.



Combustion Blower Cover Blower Cover Latch

Fig 26

Removing Ashes:

When approximately 1 ton of pellets has been burned, it will be necessary to empty the ash pan.

Ashes should be placed in a metal container with a tight fitting lid. The closed container of ashes should be placed on a noncombustible floor or on the ground, well away from all combustible materials, pending final disposal. If ashes are disposed of by burial in soil or otherwise locally dispersed, they should be retained in the closed container until all cinders have thoroughly cooled.

It is recommended that the stove is cold and shut down when removing ash pan.

1. Pull on latch handle and remove ash pan. Use ash pan handle to carry and dispose of ashes.
2. Slide the ash pan back into the stove and latch the door by pushing down on the latch handle.

Cleaning:

The stove should be cleaned after burning approximately 1 ton of pellets (50 bags). The cleaner the stove the more efficient it will be. You will burn less pellets and heat output will be greater.

Note: Higher ash content pellets will require more frequent cleanings.

1. Shut down stove and **disconnect power cord** to insure that all motors are stopped.
2. Clean heat exchanger with scraper as shown in fig 27.
3. Brush or scrape the inside of the stove to remove fly ash.
4. Scrape burnpot with flat end of scraper provided with the stove. Inspect the holes on the burnpot surface. See Fig. 33.
5. Open burn pot clean-out. Clean fly ash from burn pot and replace cover.
6. Remove ash pan.
7. Remove combustion blower cover by turning the blower cover latch vertical, see Fig.26. Sliding the cover out of the slot on the left. This will expose the combustion blower wheel and flue outlet, Fig.27.

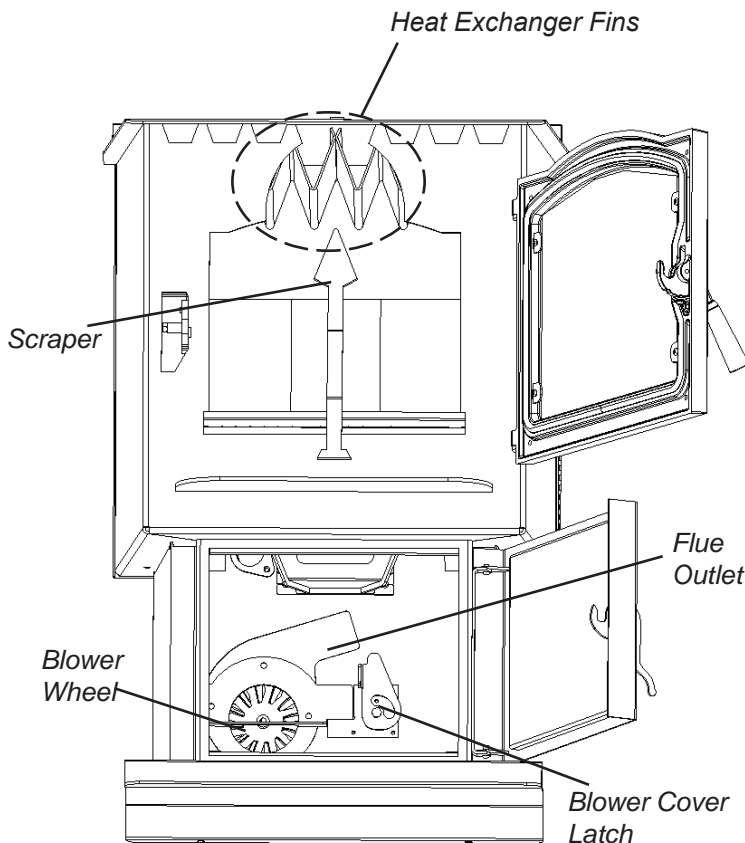


Fig 27

Maintenance

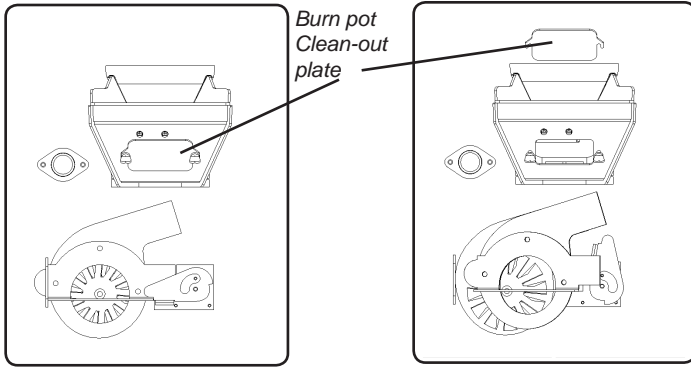


Fig. 28

Latch "closed" with blower cover in place. Burn pot clean-out is closed.

Fig. 29

Latch "open" with blower cover partly removed. Burn pot clean-out is open.

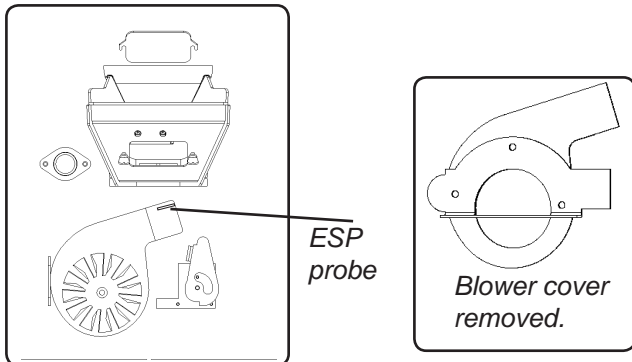


Fig. 30

Exposed blower wheel and flue opening, NOTE: ESP probe is visible.

Blower cover removed.

8. Clean the combustion blower wheel with a brush and a vacuum cleaner. Note: Do not use a household vacuum to clean the stove. We recommend that you use a shop vacuum that is equipped with a fine dust filter called a HEPA filter or a vacuum specially made for fly ash and soot. USING A VACUUM WHICH IS NOT EQUIPPED WITH A FINE DUST FILTER WILL BLOW FLY ASH AND SOOT OUT INTO THE ROOM.

NOTE: THE STOVE MUST BE COMPLETELY OUT BEFORE YOU VACUUM THE STOVE. LIVE PELLETS, IF SUCKED INTO THE VACUUM WILL LIGHT THE VACUUM ON FIRE AND MAY ULTIMATELY CAUSE A HOUSE FIRE.

9. Use a brush to clean the flue, being careful not to damage the ESP probe, see Fig. 30. The flue goes straight through into the vent pipe (Fig.27) therefore, the vent pipe can also be cleaned to some extent through the flue outlet.

10. Reinstall blower cover and relatch.

11. Slide ash pan into stove and latch the door.

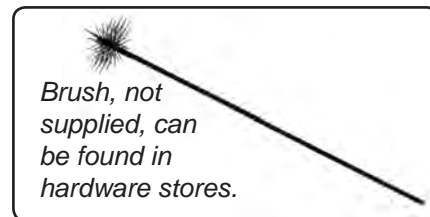


Fig. 32

Soot and Fly Ash

The products of combustion will contain small particles of fly ash which must be removed from the inner walls of the stove and from the venting system periodically. Removing fly ash and soot improves efficiency, insures that the flue venting passageway is clear and unobstructed. The stove should be cleaned after each ton of pellets (50 bags) and the venting system inspected and cleaned after each heating season.

Fig. 33

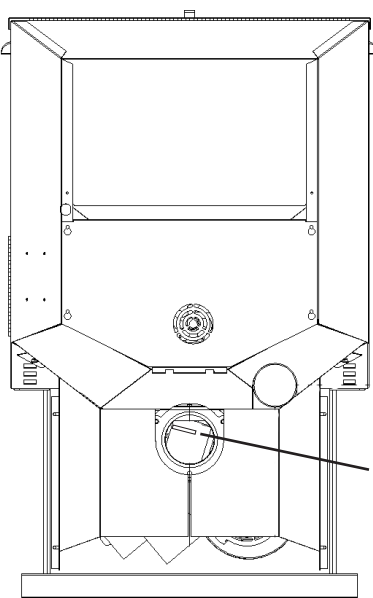
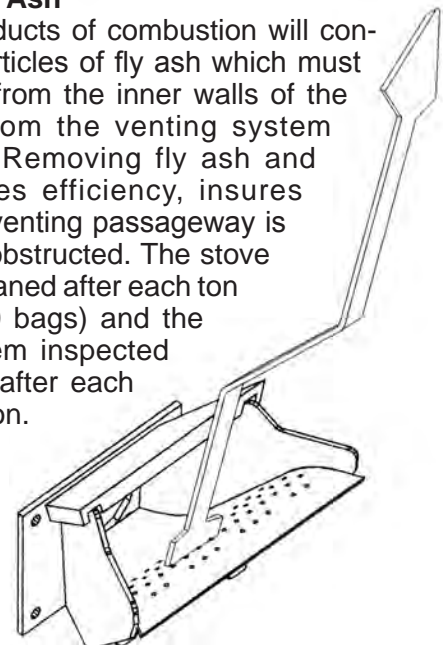


Fig. 31

ESP Probe

Be careful not to damage ESP probe when cleaning with brush.

P68 Maintenance - Burn Pot

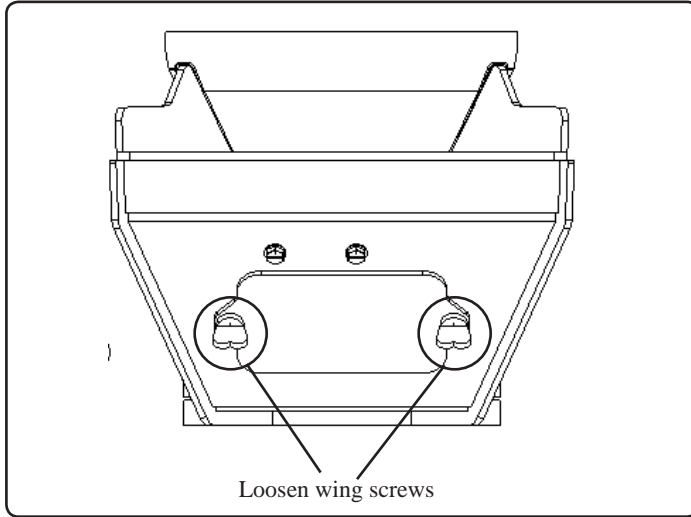


Fig. 34

Burn Pot Cleaning and Maintenance

1. Scrape the top holed surface and sides of the burn pot. (Fig 33) It is not necessary to completely remove all material from the burn pot. The excess will be pushed out during the next use.

DANGER

Disconnect the power to the unit before removing cover.

2. Loosen the (2) wing thumb screws on the lower front angle of the burn pot. (Fig. 34)

3. Lift off the clean-out cover (Fig.35) to open the bottom clean-out chamber. (Fig.36)

4. Clean ash buildup from inside the chamber while cover is off. Use the scraper to tap on the top front edge of the burn pot. This will help knock pieces of ash, loosened by the scraping process, down through the holes. It also helps knock scale off of the igniter element.

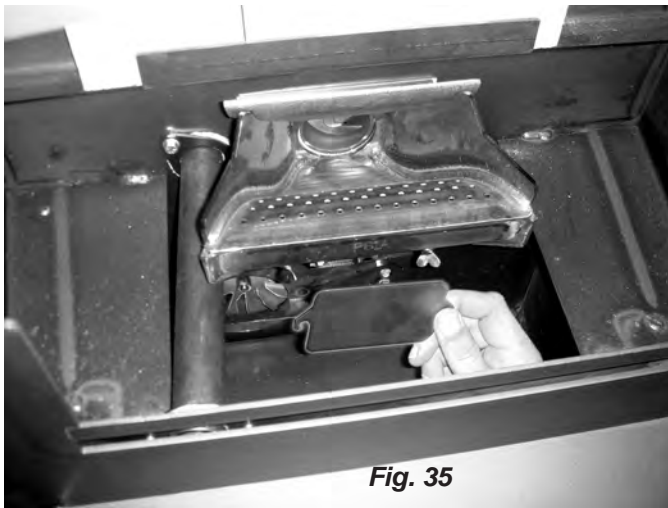


Fig. 35

Figure 36

The igniter is made to be removable for service by insulated male/female wire connectors. These connections between the hot leads (the wires inside the burn pot) and the cold leads (the wires from the control board) are always pulled to the inside rear of the feeder body. **(Not coiled inside the burn pot.)**

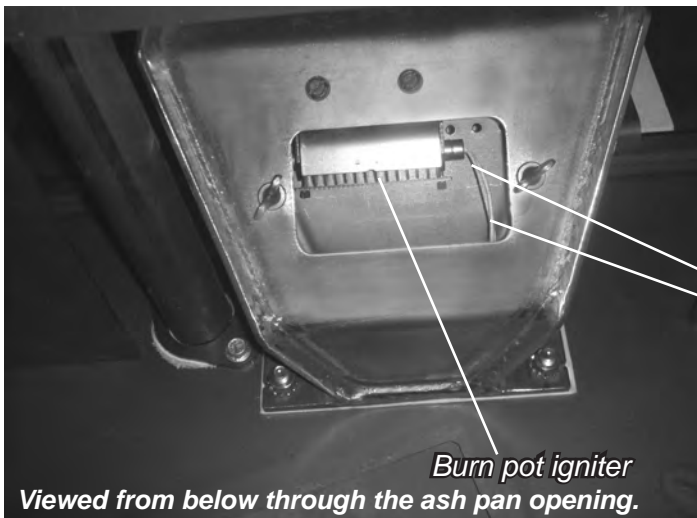
It is very important that these connections are to the inside rear of the feeder body. Also, the extra wire of the igniter wire service loop must be pulled out through the rear of the feeder and tied up so that it will not be damaged by any moving parts.

WARNING

Use caution when cleaning burn pot clean-out chamber. Do not damage the high temperature igniter wires.

*Igniter hot lead wires
(high temperature)*

Note: The hot lead/cold lead connection must always be pulled to the rear of the feeder body before operation.



Viewed from below through the ash pan opening.

Fig. 36

P68 Maintenance - Gasket Adjustment

Your new Harman Stove viewing door gasket has been factory set, however over a period of time some minor adjustment may be necessary. The easiest way to check the adjustment of the door gasket is to take a small piece of paper or a dollar bill (when the stove is not burning) and open the door, place the paper between the face of stove body and the gasket at the top center of the door, close the door. You should have a slight amount of resistance when you try to pull the paper out. Repeat this process on the bottom center of the door. If the paper is loose then some adjustment is necessary.

To adjust the door, the stove must be turned off and cold. Open the door, loosen the 2 bolts shown (see Fig. 37) and bump the latch adjuster (Fig. 38) toward the back of stove, snug bolts and test for proper seal as described above. Once the proper seal is attained, open the door and finish tightening the bolts. If proper adjustment cannot be accomplished, then a new gasket should be installed.

Over a period of time the gasket will wear out and a new gasket will have to be installed. To install a new gasket you must remove the old gasket. After the gasket is removed the gasket channel should be free of all loose particles. The gasket cement used to hold the gasket in place is RTV (HIGH TEMPERATURE) silicone. Put a bead of RTV silicone in the bottom of the gasket channel, then install the new gasket and close the door. Allow to dry for several hours before lighting the stove. After the RTV silicone has cured, the door will have to be adjusted for proper sealing. If you have just replaced the door gasket, the latch adjuster must be pulled towards the front of the stove. Follow the procedure mentioned above.

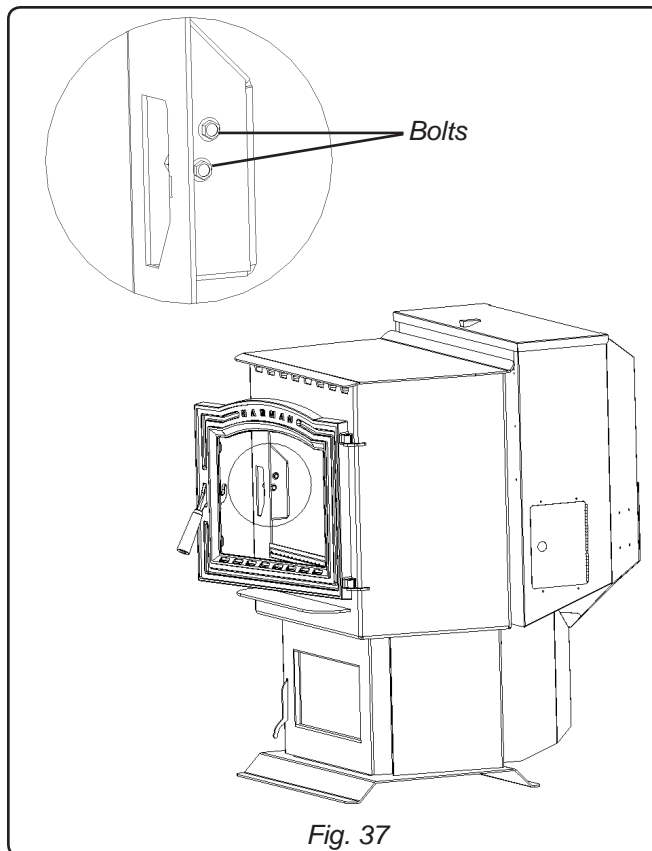


Fig. 37

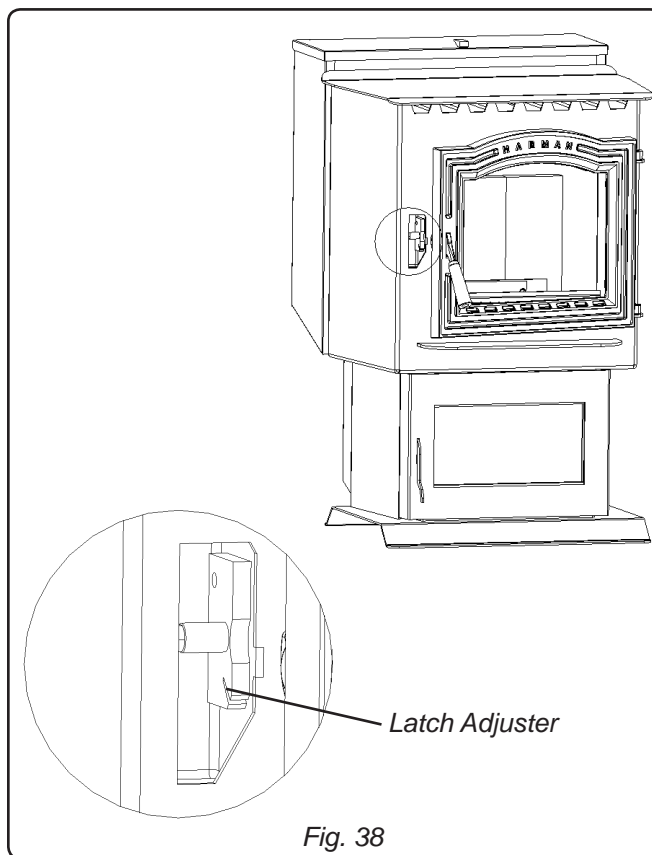


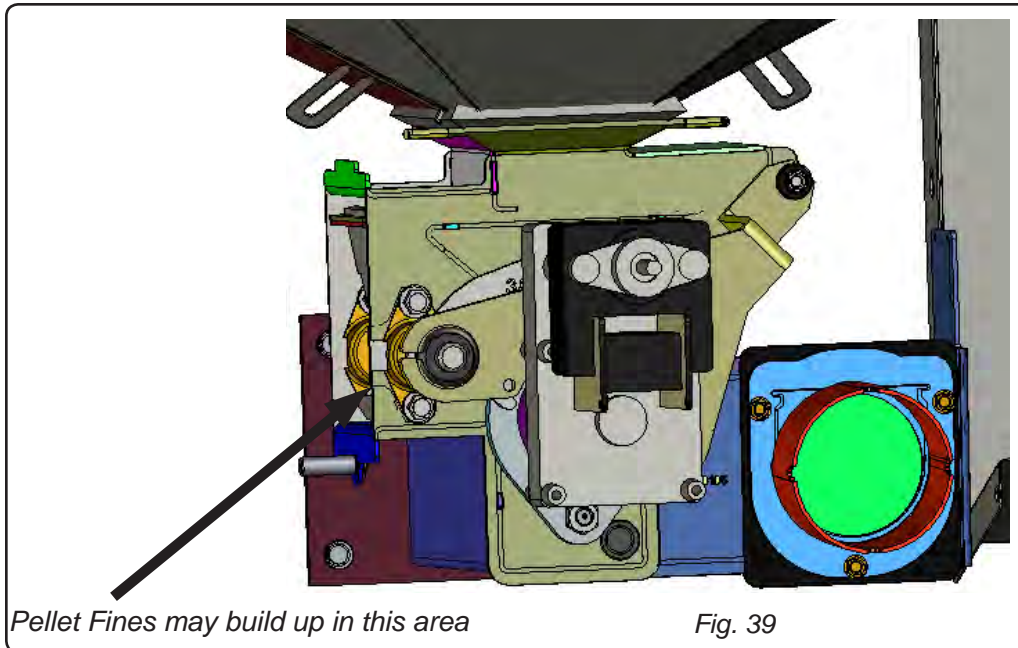
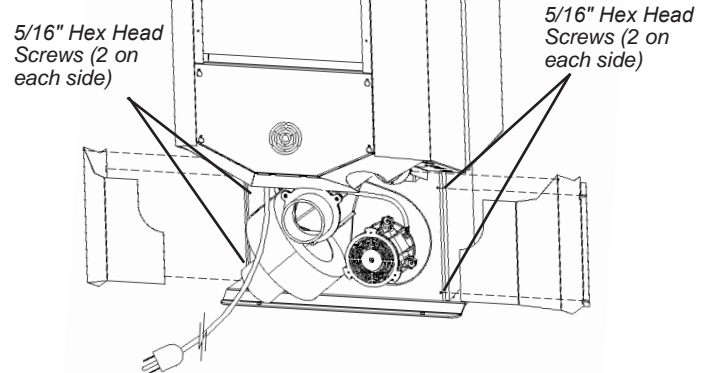
Fig. 38

P68 Maintenance - Cleaning the Feed System

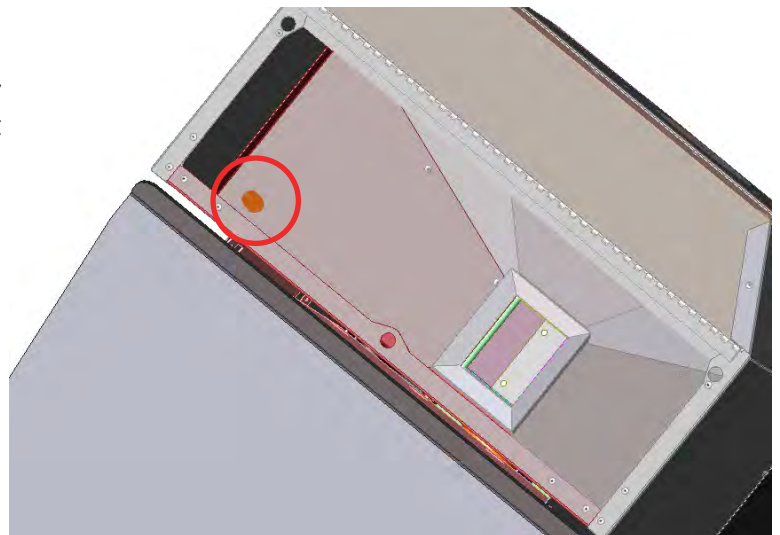
Pellet fines will accumulate in the feeder body over a period of time; therefore, a yearly inspection and cleaning of this must be performed.

To clean out fines:

1. Remove right rear cover panel.
2. Remove wing nut and feeder cover on the right side of the feeder.
3. Use a vacuum cleaner to remove all fines.
4. Reinstall feed cover, wing nut, and right rear cover panel.



The low draft sensor switch monitors the air pressure in the hopper. Depending on the amount of fines in the fuel being burned, this fitting, known as the muffler, may need to be cleaned periodically. Note the location of the muffler and use caution when cleaning or emptying the hopper.



P68 Trouble-Shooting

FEEDER DOES NOT FEED

1. No pellets in hopper.
2. Firebox draft may be too low for low draft pressure switch in feeder circuit to operate. **Check for closed doors**, loose or missing gasket on doors or hopper lid, or a faulty pressure switch.
3. Feed motor will not run until the ESP control senses 165 deg. F. Maybe you did not put enough pellets in the burn pot before manually lighting the fire.
4. Something is restricting flow in the hopper or causing the slide plate to stick.
5. Feed motor has failed.

PARTIALLY BURNED PELLETS

1. Feed rate too high.
2. Draft too low. (Check burn pot clean-out slide and door gasket).
3. Burn pot or heat exchanger tubes may need to be cleaned.
4. Combination of all the above.
5. #6 status blink: A 6 blink control board status indication is caused by poor or incomplete combustion. The Automatic Ignition circuit board has the ability to track the combustion through feed settings and ESP temperatures. When the control board has calculated poor or incomplete combustion, it will shut down the unit as a safety feature. (Poor or incomplete combustion is a contributor of creosote which may cause a chimney fire)

A 6 blink status may be caused by several things:

1. Blocked or partially blocked flue.
2. Blocked or partially blocked inlet air.
 - a. Backdraft damper on the inlet pipe may be stuck closed.
 - b. If outside air is installed, the inlet cover may be blocked.
3. The air chamber under the burnpot may be filled with fines and small bits of ash.
4. The holes in the burnpot may be getting filled with ash or carbon buildup.
5. Combustion blower fan blades may need cleaned.
6. There is no fuel in the hopper.

SMOKE SMELL

Seal the vent pipe joints and connection to stove with silicone.

FIRE HAS GONE OUT

1. No pellets in hopper.
2. Draft setting is too low.
3. Something is restricting fuel flow.
4. Feed motor or combustion blower has failed.
5. Power failure or blown fuse.

SMOKE IS VISIBLE COMING OUT OF VENT

1. Air-fuel ratio is too rich.
 - A. Feed rate too high.
 - B. Draft too low caused by a gasket leak.

LOW HEAT OUTPUT

1. Feed rate too low
2. Draft too low because of gasket leak.
3. Poor quality or damp pellets
4. Combination of 1 and 2.

Helpful Hints

Cleaning Burn Pot

Whenever your stove is not burning, take the opportunity to scrape the burn pot to remove carbon buildup. A vacuum cleaner is handy to remove the residue. **Be sure the stove is cold if you use a vacuum.**

Carbon buildup can be scraped loose with the fire burning using the special tool provided with your stove. Scrape the floor and sides of the burn pot. The carbon will be pushed out by the incoming fuel. Always wear gloves to do this.

Removing Ashes

Turn the Temp Dial to number 1 approximately 30 minutes before removing ashes. This will result in a cooler stove and ash pan.

Maximum Feed Adjuster settings are not needed in most cases. Operating in the normal range (#4) is recommended when maximum heat output is not required. The ESP probe prevents the stove from being over-fired.

Keep the stove free of dust and dirt.

Fuel

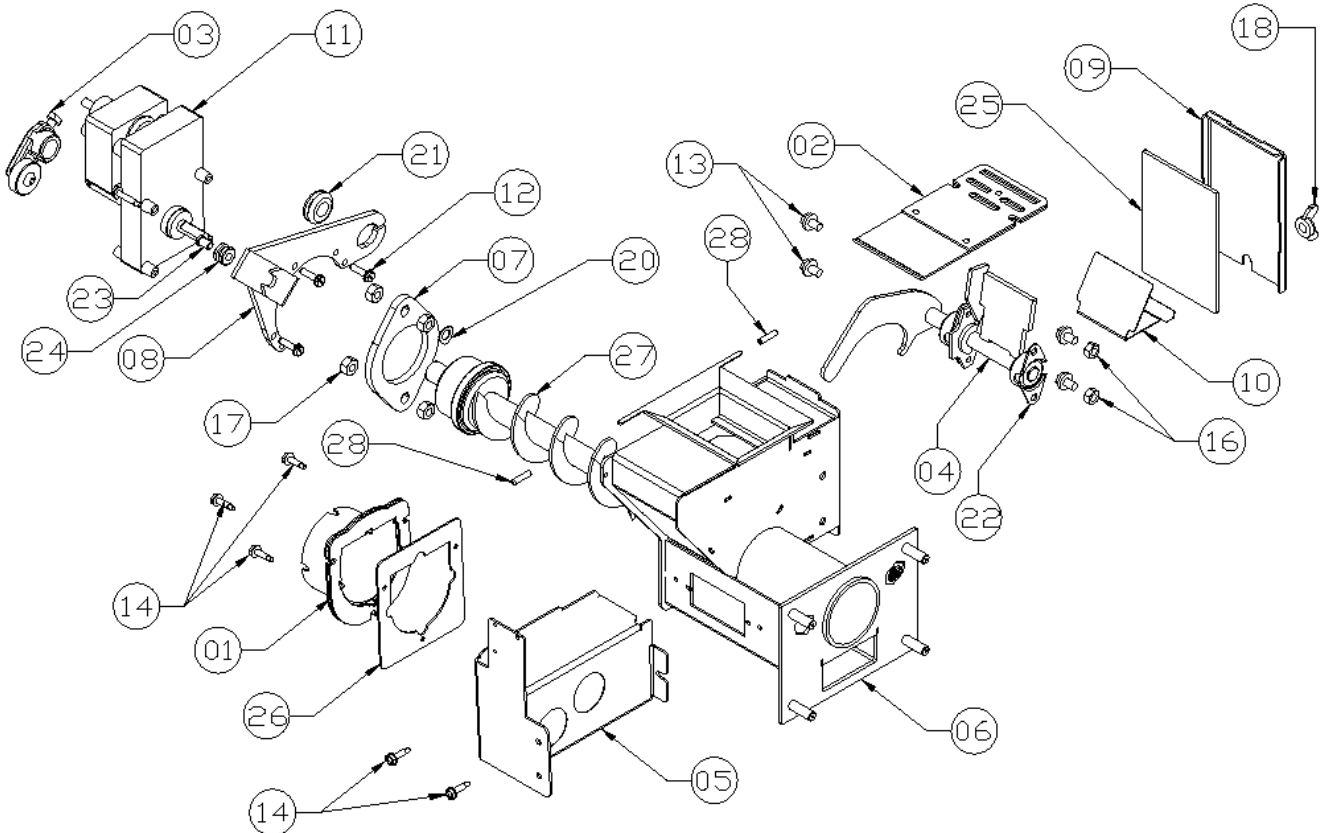
Pellet fuels are put into 3 categories in terms of ash content. Premium at 1% or less, Standard at 3% or less and all others at 3% or more.

The P68 is capable of burning all 3 categories of pellets due to a patented feeder and burn pot system.

It should be noted, however, that higher ash content will require more frequent ash removal, scraping of the burn pot, and may provide less BTU's per pound. Normally, standard and high ash pellets cost less than premium pellets and can be cost effective when burned in the P68.

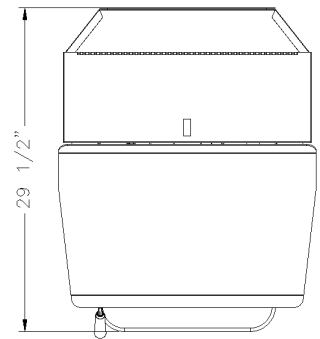
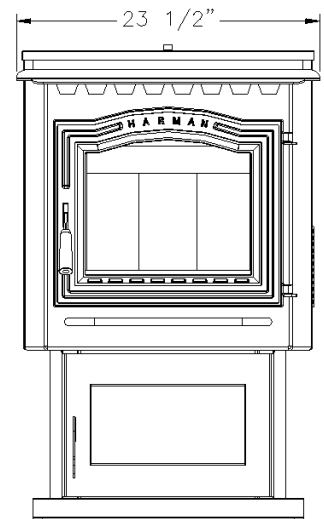
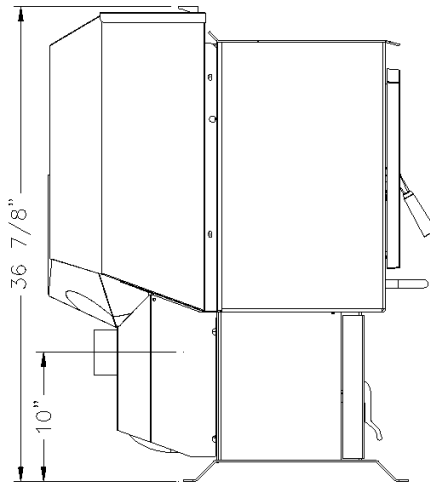
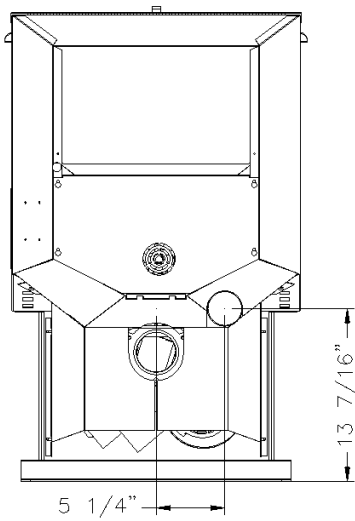
The moisture content must not exceed 8%. Higher moisture will rob BTU's and may not burn properly.

P68 Feeder Parts



ITEM	QTY	Part No.	Part Name
01	01	1-10-06810	PELLET AIR INTAKE ASSY
02	01	1-10-677121	SLIDE PLATE ASSY
03	01	1-10-677154	ULFEEDER CAM BLOCK LONG ASSY
04	01	1-10-677187	P68 ULFEEDER PUSHER ARM WELDMENT 38X4
05	01	1-10-72222	PB105-P38-43-PC45/61/68/PF100/HF60 UL FEEDR AIR INT WELD
06	01	1-10-724132	ULTRALIGHT FEEDER WELDMENT
07	01	2-00-04035	PELLET FEEDER BEARING RETAINER
08	01	2-00-247406	UL FEEDER GEARMOTOR BRACKET
09	01	2-00-677122	ULFEEDER COVER SHORT
10	01	2-00-677138	FINES DEFLECTOR
11	01	3-20-09302	PELLET FEEDER GEARMOTOR-6RPM
12	03	3-30-110240753	HWH TCS 10-24 X 3/4" BLACK
13	04	3-30-2252003813	8.2 FLNG 1/4-20 X 3/8"
14	05	3-30-511007517	TEK SCREW #10 X 3/4"
15	01	3-30-511010017	HWH TEKS #10 X 1" < NOT SHOWN >
16	02	3-30-80252013	FHN 1/4-20 Z5
17	04	3-30-80311813	FHN 5/16-18
18	01	3-30-8131181	5/16-18 WING NUT
19	01	3-31-03065	PRY OUT PLUG < NOT SHOWN >
20	01	3-31-453013	5/8" SPRING WASHER-PLATED
21	01	3-31-2761	HALF INCH GROMMET
22	01	3-31-3614087	PILLOW BLOCK
23	01	3-31-910145157	NYLON SPACER GEARMOTOR BKT
24	01	3-31-960026	GROMMET GEARMOTOR BKT
25	01	3-44-677155	ULFEEDER COVER GASKET
26	01	3-44-72224	UL FEEDER AIR INTAKE EPDM GASKET
27	01	3-50-00565	ULFEEDER AUGER ASSY
28	02	3-99-125	.093 X 3/4" MASKING CAP

Specifications



Weight
Blower
Feed Rate
Hopper Capacity
Fuel
Flue Size
Outside Air Size
Fuse Rating

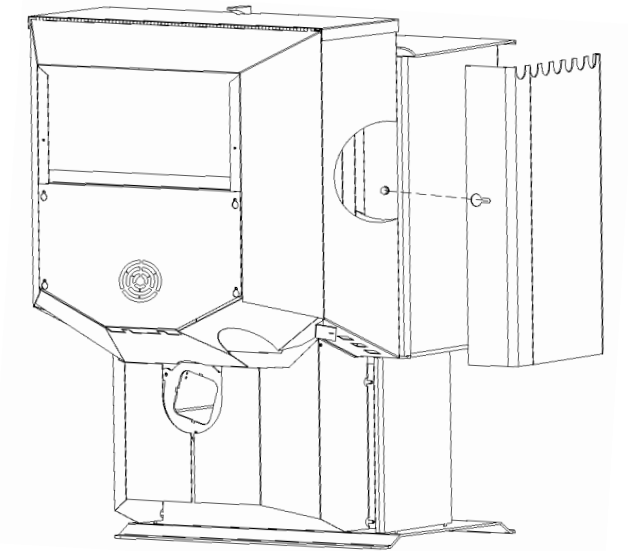
290 lbs.
135 cfm
approx. 1lb. to 8 lbs per hr
76 lbs
Wood Pellets
3 inch
2 3/8" I.D. inch
6 amp

OPTIONS

Side Heat Shields

Side heat shields are available to reduce the clearance to combustible materials.

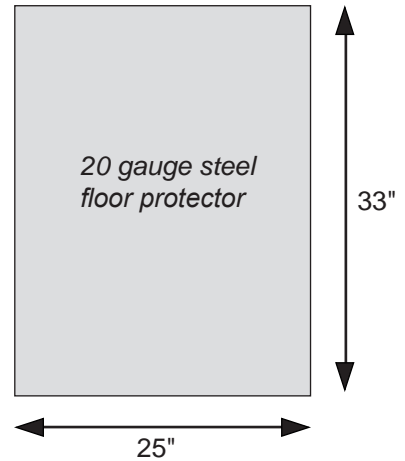
Part #1-00-06716



Floor Protector

The P68 Steel Floor Protector measures 25 inches wide by 33 inches deep. It is made of 20 gauge steel. This is the minimum size for floor protection with this unit.

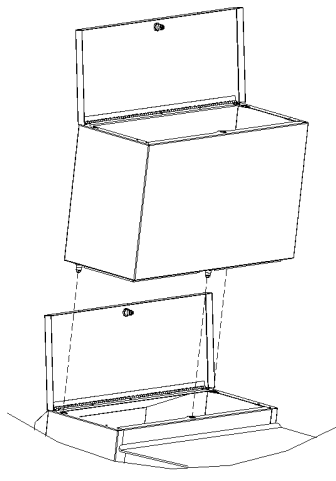
Part# 1-00-06727



Hopper Extension

The hopper extension allows you to put more pellet fuel in the hopper and extends burn time on one load of pellets. The hopper extension adds 60 pounds to the existing 76 pound hopper capacity, allowing you to load 136 pounds of pellets at one time.

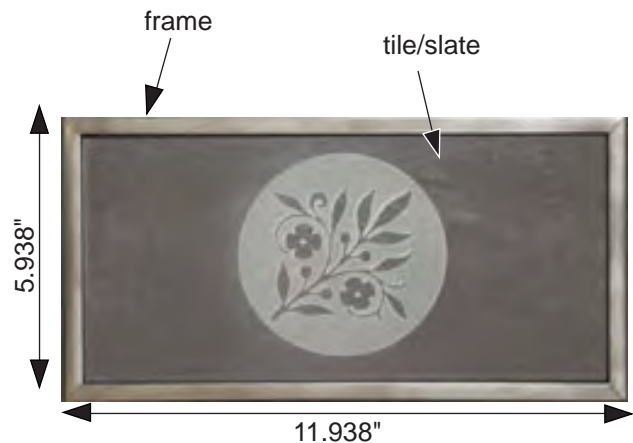
Part #1-00-08636



Decorative Tile/Grey Slate Options

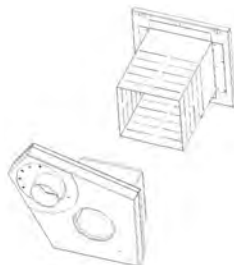
The decorative tile and slate measure 11.938" x 5.938". The tile/slate frame is necessary to hold the tile or slate in place on the stove. There are 10 decorative tile choices, and 4 decorative slate choices. See dealer for samples.

The Brushed Stainless deer cutout, pictured below, is another option available. This cutout reveals the color of the stove through the cut out shapes.

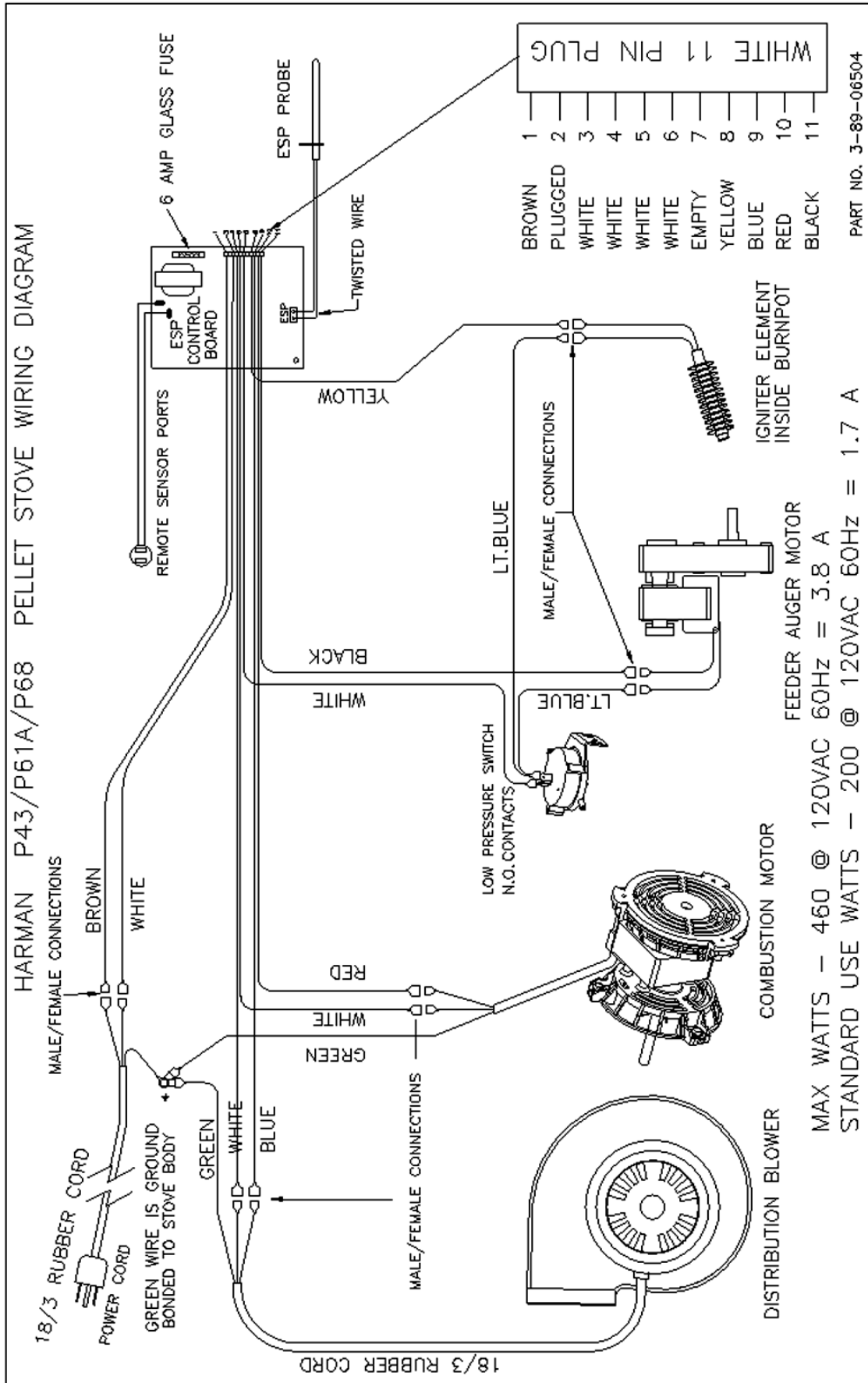


Direct Vent Wall Passthrough Kit

You may choose to use the optional Direct Vent Wall Passthrough Kit (part #1-00-677077) which incorporates venting passthrough and outside air into one component.



P68 Wiring Diagram



P68 Parts List

<u>Description</u>	<u>Part Number</u>
Hopper Gasket(6 ft.)	0-88-00248
Hopper Throat Gasket	3-44-677185
Ash Pan Assembly	1-10-05800
Burn Pot Weldment	1-10-06723
Right Rear Shield	2-00-06468-1
Left Rear Shield	2-00-06468-2
Arrow Scraper	2-00-773850
Flame Guide	3-00-03000
Wiring Harness Assembly	3-20-08727
Thermister Probe	3-20-00744(blk wire) 3-20-00844(red wire)
Room Sensor	3-20-00906
Circuit Board	3-20-05374 or 3-20-05886 (match w/ old #)
Differential Switch	3-20-6866
5" Double Fan Blade	3-20-502221
Combustion Blower	3-21-08639
Distribution Blower	3-21-22647
Hopper Lid Latch	3-31-199110
3/16" Rubber Washer (for Hopper Lid)	3-31-90131101
Power Cord	3-20-29685
Auto Ignite Label (Control Panel Door)	3-90-08627
Fire Brick (3)	3-40-900450125
White/Black Control Knob(3)	3-31-605
Control Knob Shaft(3)	3-31-015
Mirrored Front Glass	3-40-06720
Burn Pot Gasket(1)	3-44-00409
Tailpipe Gasket	3-44-06179
Wiring Diagram	3-89-06504
Control Panel Sticker	3-90-06655A
Owner's Manual	3-90-06701
Hopper Lid Label	3-90-08416
Igniter Element	3-20-06783
1/4-20 x 1/2" Wing Screw w/Collar(2)	3-31-782108
Hopper Muffler	3-40-06618 Fitting- 3-40-1818

<u>Options:</u>	
Hopper Extension Assembly	1-00-08636
Outside Air Assembly	1-10-08542
3' Flex Pipe	2-00-08543
Log Set	3-40-5647
Side Heat Shields	1-00-06716
Floor Protector (25" x 33")	1-00-06727
Air Grill	3-43-08648 (See Dealer for finish options)
Door Frame w/ash lip & tile/slate trim	1-00-06717 (See Dealer for finish options)
Tile Pack(1 piece)	3-43-1206 <u>01 thru 10</u> (10 choices)
Decorative Slate (1 piece)	Floral 3-43-06731-11
	Horses 3-43-06731-12
	Deer 3-43-06731-2
	Lighthouse 3-43-06731-9
Direct Vent Wall Passthrough	1-00-677077

HARMAN GOLD WARRANTY
6 YEAR TRANSFERABLE LIMITED
WARRANTY (Residential)
1 YEAR LIMITED WARRANTY (Commercial)



Harman warrants its products to be free from defects in material or workmanship, in normal use and service, for a period of 6 years from the date of sales invoice and for mechanical and electrical failures, in normal use and service, for a period of 3 years from the date of sales invoice.

If defective in material or workmanship, during the warranty period, Harman will, at its option, repair or replace the product as described below.

The warranty above constitutes the entire warranty with respect to Harman products. HARMAN MAKES NO OTHER WARRANTY, EXPRESSED OR IMPLIED, INCLUDING "ANY" WARRANTY OF MERCHANTABILITY, OR WARRANTY OF FITNESS FOR A PARTICULAR PURPOSE. No employee, agent, dealer, or other person is authorized to give any warranty on behalf of Harman. This warranty does not apply if the product has been altered in any way after leaving the factory. Harman and its agents assume no liability for "resultant damages of any kind" arising from the use of its products. In addition, the manufacturer and its warranty administrator shall be held free and harmless from liability from damage to property related to the operation, proper or improper, of the equipment.

THERE ARE NO WARRANTIES WHICH EXTEND BEYOND THE DESCRIPTION ON THE FACE HEREOF.

THESE WARRANTIES APPLY only if the device is installed and operated as recommended in the user's manual.

THESE WARRANTIES WILL NOT APPLY if abuse, accident, improper installation, negligence, or use beyond rated capacity causes damage.

HOW TO MAKE A CLAIM - Any claim under this warranty should be made to the dealer from whom this appliance was purchased. Then contact is made with manufacturer, giving the model and serial numbers, the date of purchase, your dealer's name and address, plus a simple explanation of the nature of the defect. Extra costs such as mileage and overtime are not covered. Nuisance calls are not covered by these warranties.

THIS WARRANTY IS LIMITED TO DEFECTIVE PARTS - REPAIR AND/OR REPLACEMENT AT HARMAN'S OPTION AND EXCLUDES ANY INCIDENTAL AND CONSEQUENTIAL DAMAGES CONNECTED THEREWITH.

WARRANTY EXCLUSIONS: Failure due, but not limited to, fire, lightning, acts of God, power failures and/or surges, rust, corrosion and venting problems are not covered. Damage and/or repairs including but not limited to; remote controls, filters, fuses, knobs, glass, ceramic brick panels, ceramic fiber afterburners, door packing, tile, ceramic log sets, paint, batteries or battery back-up and related duct work are not covered. Also excluded from this warranty are consumable or normal wear items including but not limited to; flame guides, grates, coal bars, afterburner hoods, fire brick, gaskets. Additional exclusions for corn stoves are burnpot housing weldment, burnpot grate weldment (pellet or corn), burnpot front plate (pellet or corn), burnpot front plate lock, corn auger extension, ceramic insert, and ceramic insert plate. Additional or unusual utility bills incurred due to any malfunction or defect in equipment and the labor cost of gaining access to or removal of a unit that requires special tools or equipment are not covered. Maintenance needed to keep the stove in "good operating condition" is not covered. This includes, but is not limited to, cleaning, adjustment of customer controls and customer education. Labor, materials, expenses and/or equipment needed to comply with law and/or regulations set forth by any governmental agencies are not covered.

This Warranty provides specific legal rights and the consumer may have other rights that vary from state to state.

In the event of change in ownership, the remaining portion of this warranty may be transferred to the new owner by sending the new owner information and a transfer fee of \$25.00 US to Harman.

PLEASE READ THE LITERATURE BY THE MANUFACTURER FOR THE VARIOUS ACCESSORY DEVICES. THE MANUFACTURER WARRANTS THESE ACCESSORY DEVICES, NOT HARMAN OR THEIR WARRANTY ADMINISTRATOR. FURTHERMORE, THESE ACCESSORY DEVICES MUST BE INSTALLED AND USED ACCORDING TO THE RECOMMENDATIONS OF THE MANUFACTURER.

REMEDIES - The remedies set forth herein are exclusive and the liability of seller with respect to any contract or sale or anything done in connection therewith, whether in Contract, in tort, under any warranty, or otherwise, shall not, except as herein expressly provided, exceed the price of the equipment or part of which such liability is based.

CLARIFY - The above represents the complete warranty, which is given in connection with stoves, manufactured by Harman. No other commitments, verbal or otherwise, shall apply except by a written addendum to this warranty.