

No Utility Bills Inc.

www.noutilitybills.com

Tel: (780)628-4835

#301 Lyall Subdivision, County of Athabasca, AB, Canada

VIEWINGS BY APPOINTMENT ONLY!

List Price From	
Sale Price From	
Prices are subject to change without notice! 071908	

The Selkirk MAX! Merlot EPA Wood Fireplace

Thick Steel front plate ensures quality construction		Attractive Black Louvers allow generous air flow into your room
Heat Radiating Ceramic Glass Doors		Optional Rigid Firescreen Doors
Optional Internal Fan System to increase warm air circulation		Black, Gold or Nickel Double Door Finishes



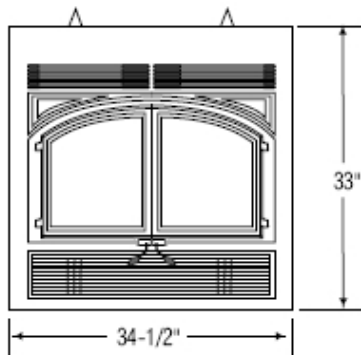
Double Nickel Doors



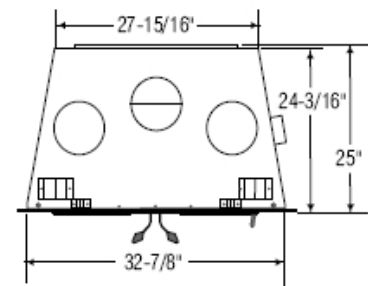
Double Black Doors



Double Gold Doors



Fuel	Wood
Btu EPA / Cord Wood	37,000 / 65,000
Heating Capacity	Up To 1,900 sq.ft.
Burn Time *	up to 7 hours
Firebox Volume	Large 2.0 cu.ft.
Log Length	16 inches
Weight	325 lbs
Width	34-1/2 inches
Depth	25 inches
Height	33 inches
Flue Size	6 inch
Outside Air Size	4 inches
EPA Emissions	4.0 Grams per hour
Hearth Requirements	N.C. 18"D x 38"W
Optimum efficiency	75%
*Min Mantel Height	6" w @ 50" Up
*Minimum Chimney	15 Feet @ Sea Level
Testing	ULC-S610 & UL-127



** Zero Clearance Installation **
(Reference Data - Installation as per the "Installation Manual")

Burn Time * may vary depending on the heat loss of the home and the quality of wood burned.





No Utility Bills Inc.

www.noutilitybills.com

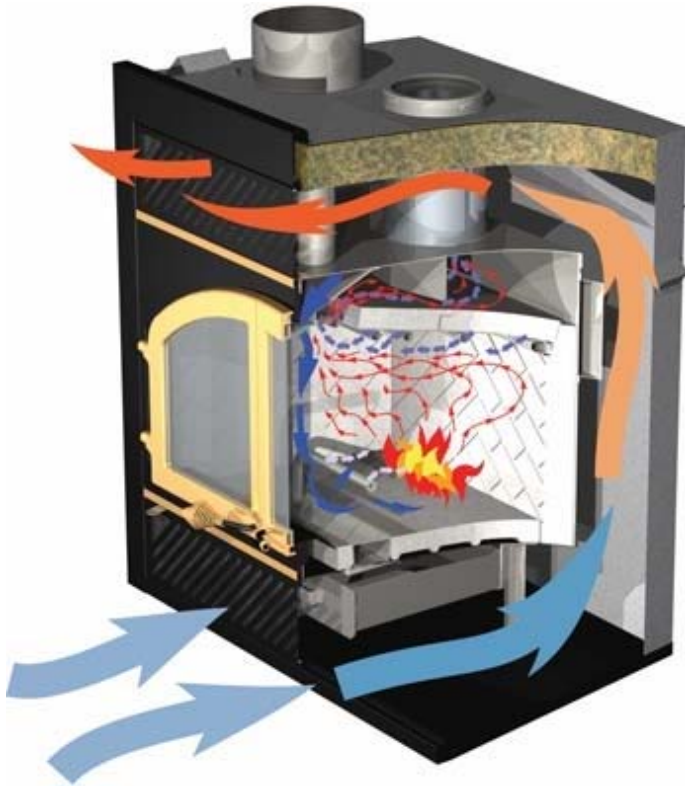
Tel: (780)628-4835

#301 Lyall Subdivision, County of Athabasca, AB, Canada

VIEWINGS BY APPOINTMENT ONLY!



Selkirk MAX! Merlot EPA Wood Fireplace



The Merlot is a smaller High Efficiency EPA Approved (Environmental Protection Agency) fireplace with low emission technology.

Cast Iron Ceramic Glass doors and a thick steel front plate add to the quality of the construction.

Optional natural flow heat ducts attach to the top of the fireplace and allow heat to be directed to a different room – or the same room as the fireplace.

Secondary Air Tubes provide an "afterburner" for secondary combustion and a clean burn without a catalytic combustion system.

Zone Heating

Ducting can be installed for up to three separate zones in your home and each zone can be controlled individually using our zone heating control and zone dampers.

Ducting Options



Front Louver Venting

Gravity Vent Kit

Two Gravity Vent Kits

Or Forced Air Fan Kit

Optional 150 cfm Fan Kit Can be used in conjunction with front louver or gravity vent kits
Gravity vent kits may be ducted into adjoining rooms * Some Conditions - As Per Installation Manual*