

7600-series



7648



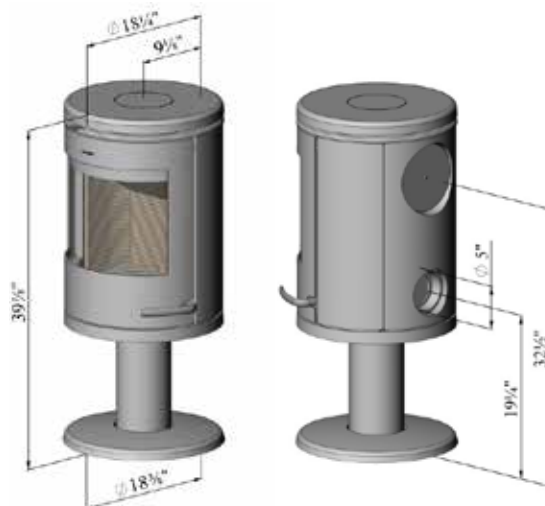
Convection

Maximum Heat	35,000 BTU/hr
Test fuel load6 lbs
Particulate Emission	4.4 grm/hr
Log size	11"
Max. Area Heated	1200 ft ²
Firebox Dimensions	13" W x 10½" D
Firebox volume/capacity	0,85 ft ³
Gross Weight	300 Lbs
Efficiency rating (as measured by LHV)	75%+

Outside air supply Available
 Mobile home approved Yes
 Washington State Compliant

Basic Clearance (using single wall pipe top vent)

Stove to side wall	15"
Stove to rear wall	1"
Stove to corner	2½"



Morsø 7600-series was designed by Monica Ritterband, currently one of Denmark's most sought-after designers. Monica Ritterband is known for her pioneering designs, which all take their starting point in her unique universes and totally special, organic language of form and lines. Thus, the Morsø 7600 was also created in this way – it is completely unique with its circular form, round feminine transitions and its huge glass window, the biggest in Morsø's history of stoves.

“My idea was to create a stove with organic, rounded forms. Circular, soft, gentle and feminine in expression. At the same time, the stove had to allow an expansive view of the fire itself.”

Monica Ritterband, artist and designer



7644

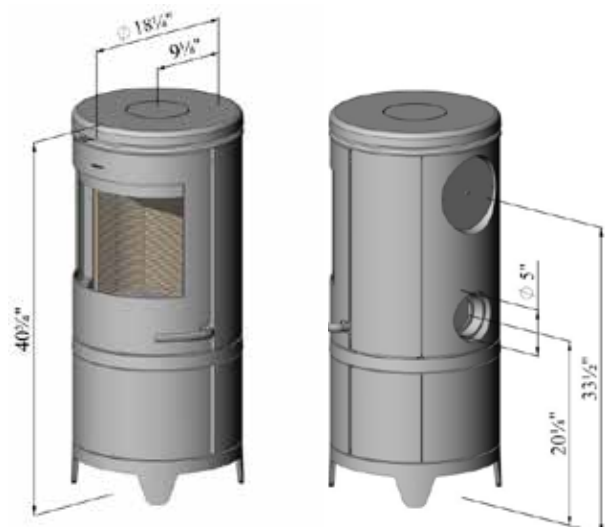


Convection

- Maximum Heat 35,000 BTU/hr
- Test fuel load6 lbs
- Particulate Emission 4.4 grm/hr
- Log size11"
- Max. Area Heated. 1200 ft²
- Firebox Dimensions 13" W x 10½" D
- Firebox volume/capacity 0,85 ft³
- Gross Weight 348 Lbs
- Efficiency rating (as measured by LHV) 75%+

- Outside air supply Available
- Mobile home approved. Yes
- Washington State.Compliant

- Basic Clearance (using single wall pipe top vent)
- Stove to side wall.15"
- Stove to rear wall. 1"
- Stove to corner 2½"



For all clearance options download installation manual from www.morsona.com

7600-series

For Monica Ritterband the **Morsø 7600** is a work of art – a living being to warm the home and body. The 7600-series is based on the convection principle and delivers fantastically clean and efficient combustion. Furthermore, it is both intuitive and easy to use, since the air intake – and therefore the combustion and heat output - are controlled with a single handle. The stove is fitted with an advanced combustion system with tertiary air supply, providing optimal control of the combustion process. Monica Ritterband also designed the accessories for the stove: Kettle, trivets, fire tools and firewood holder, where the universe and inspiration are “Feet”.



7642



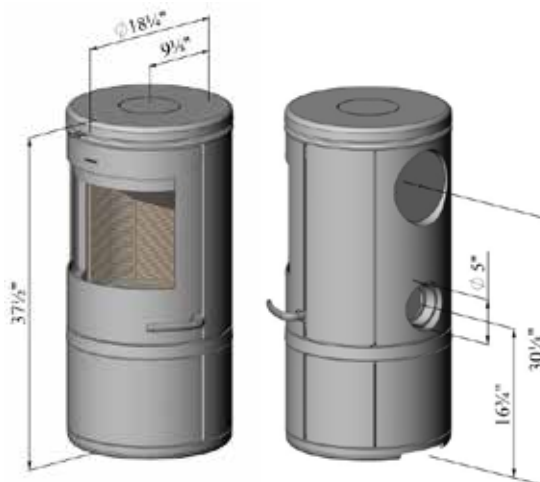
Convection

Maximum Heat 35,000 BTU/hr
 Test fuel load6 lbs
 Particulate Emission 4.4 grm/hr
 Log size11”
 Max. Area Heated. 1200 ft²
 Firebox Dimensions 13” W x 10½” D
 Firebox volume/capacity 0,85 ft³
 Gross Weight 344 Lbs
 Efficiency rating (as measured by LHV) 75%+

Outside air supply Available
 Mobile home approved Yes
 Washington State. Compliant

Basic Clearance (using single wall pipe top vent)

Stove to side wall.15”
 Stove to rear wall.1”
 Stove to corner 2½”





7670



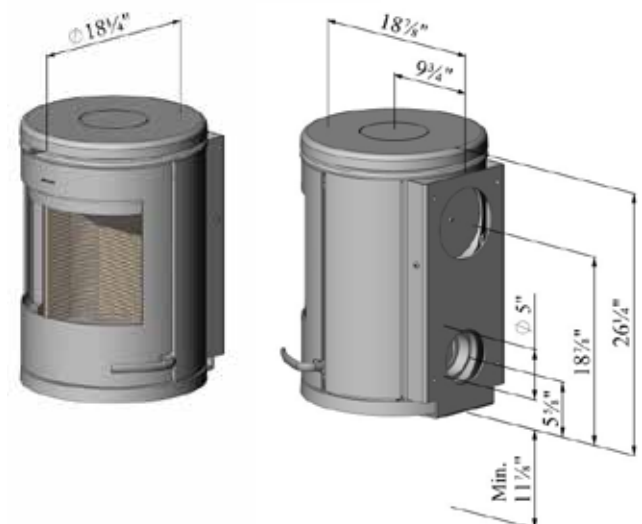
Convection - Wall mounted

Heat output range (Lab test)10,875-21,267 BTU/hr
 Test fuel load6 lbs
 Particulate Emission 4.4 grm/hr
 Log size 11"
 Max. Area Heated 1200 ft²
 Firebox Dimensions 13" W x 10½" D
 Firebox volume/capacity 0,85 ft³
 Gross Weight 282 Lbs
 Efficiency rating (as measured by LHV) 75%+

Outside air supply Available
 Mobile home approved Yes
 Washington StateCompliant

Basic Clearance (using single wall pipe top vent)

Stove to side wall15"
 Stove to rear wall 1"
 Stove to corner 2½"



For all clearance options download installation manual from www.morsona.com