



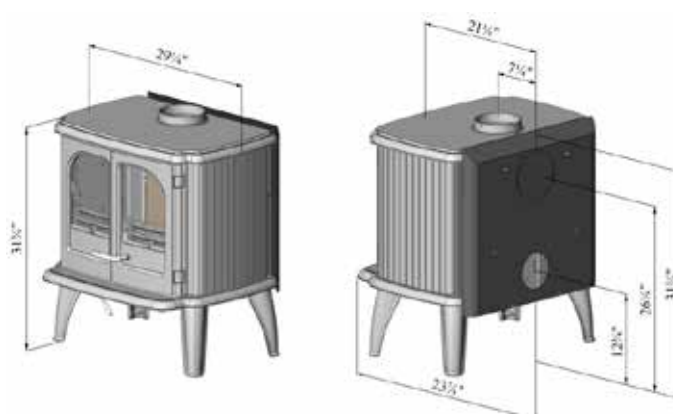
A North American Classic With A Scandinavian Twist. The Morsø 3610 features a classic design with a modern 'edge' and is the largest wood stove in the Morsø product line. The high heat output and large firebox capacity makes this model particularly suitable for large traditional or modern living spaces. It features double door design with large 'air-washed' glass panels for a great view of the fire, two internal ash pans for convenient and clean ash removal, and a side loading door makes refueling a breeze. The Morsø 3610 comes factory fitted with rear and bottom heat shields as standard. Robust yet elegant the 3610 is a real workhorse controlled by a single-handed air control lever at the front.

3610



- Radiant
- Maximum Heat 60,000 BTU/hr
- Test fuel load 14.98 lbs
- Particulate Emission 5.2 grm/hr
- Log size 24"
- Max. Area Heated 2400 ft²
- Firebox Dimensions 24" W x 13½" D
- Firebox volume/capacity 2.14 ft³
- Gross Weight 439 Lbs
- Outside air supply Available

- Basic Clearance (using single wall pipe top vent)
- Stove to side wall 18"
- Stove to rear wall 17"
- Stove to corner 13"



For all clearance options download installation manual from www.morsona.com