

3100-series



3142



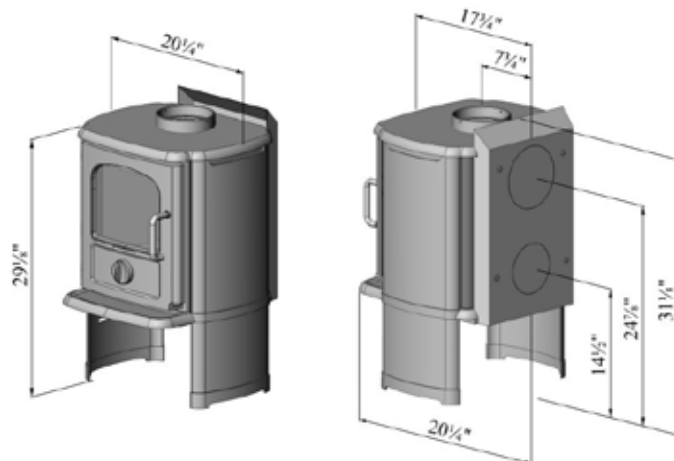
Convection

Maximum Heat 30,000 BTU/hr
 Test fuel load 6.3 lbs
 Particulate Emission 3.1 grm/hr
 Log size 12"
 Max. Area Heated 1000 ft²
 Firebox Dimensions 13 1/4" W x 12 1/2" D
 Firebox volume/capacity 0.9 ft³
 Outside air supply Available
 Gross Weight 272 Lbs
 Efficiency rating (as measured by LHV) 75%+

Mobile home approved Yes
 Washington State Compliant

Basic Clearance (using single wall pipe top vent)

Stove to side wall 16"
 Stove to rear wall 9"
 Stove to corner 13"



For all clearance options download installation manual from www.morsona.com



Morsø 3100-series Following a thorough, technical upgrade and a design lift, the stove stands out with a contemporary, elegant look and meets all the latest combustion principles. With the Morsø 3100 we are continuing all the best points from the classic Morsø stove. Thus, the stove has smooth sides on the convection model and a very fine ribbed pattern on the radiant.

3112



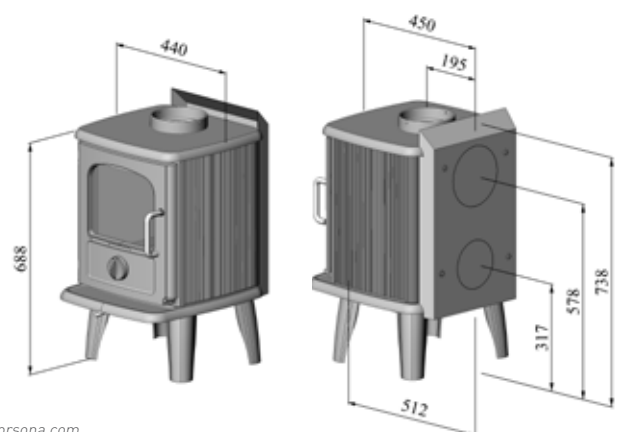
Radiant

Maximum Heat 30,000 BTU/hr
 Test fuel load 6.30 lbs
 Particulate Emission 3.1 grm/hr
 Log size 12"
 Max. Area Heated 1000 ft²
 Firebox Dimensions 13¼" W x 12½" D
 Firebox volume/capacity 0.9 ft³
 Outside air supply Available
 Gross Weight 245 Lbs
 Efficiency rating (as measured by LHV) 75%+

Mobile home approved Yes
 Washington State Compliant

Basic Clearance (using single wall pipe top vent)

Stove to side wall 20"
 Stove to rear wall 12"
 Stove to corner 17"



For all clearance options download installation manual from www.morsona.com