

2B classic



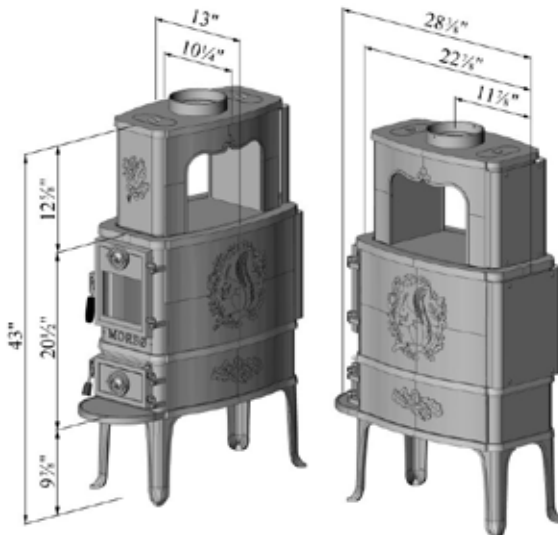
2B classic



Radiant

Maximum Heat	35,000 BTU/hr
Test fuel load	5.74 lbs
Particulate Emission	3.9 grm/hr
Log size	18"
Max. Area Heated.	1200 ft ²
Firebox Dimensions	7" W x 21½" D
Firebox volume/capacity	0.82 ft ³
Gross Weight	253 Lbs
Efficiency rating (as measured by LHV)	75%+

Outside air supply	Not available
Basic Clearance (using single wall pipe top vent)	
Stove to side wall	26"
Stove to rear wall	7"
Stove to corner	22"



Morsø 2B classic No past – no future. At the beginning of the 1930s, the sculptor, Constantin Sørensen, created this impressive radiant stove, featuring Morsø’s well-known decoration of squirrel and oak leaves. Then, as today, the 2B Classic is in great demand, and with its almost stately appearance, the stove is perfect for patrician and farm style homes. The stove’s special feature is its combustion chamber, which can accommodate extra long fuel measuring up to 18”. We have completely updated the combustion technology in the Morsø 2B Classic, so that it now meets today’s stringent environmental requirements. There’s almost no better way to have a fire than with the Morsø 2B Classic.

For all clearance options download installation manual from www.morsona.com