

CAPE COD™ WOOD STOVE



FEATURING HYBRID-FYRE™ COMBUSTION TECHNOLOGY
AND THE GREENSTART™ IGNITER



THE CLEANEST BURNING WOOD STOVE ON THE PLANET!

The Cape Cod™, shattering all performance records for wood heat, is Lopi's "Super Stove" boasting an 80% overall efficiency* and EPA 0.45 grams per hour, making it the cleanest burning wood stove on the planet. This innovative game changer of a wood stove features a massive firebox and convection heat exchanger, all wrapped up and presented to you in an elegant package of cast iron beauty and durability.

Interested in less trips to the woodshed? How about saving money and energy? The Cape Cod not only delivers, but excels in every category.

Lopi is devoted to keeping you and your family warm. Your new Cape Cod is crafted from the finest grade materials, iron, steel, real masonry brick, and clear ceramic glass, ensuring many years of safe dependable heating for your home. Never be cold again!

*The B415 efficiency test was performed on all fire burn categories - low through high, and averaged over 80% using the EPA test protocol of hvh for fuel.



Use your Smart Phone QR Reader to watch a video of the Cape Cod burning.



Winner of the prestigious Vesta Awards for
Best New Wood Stove,
Best of Show - Hearth Product
and Prestigious EPA Sponsored Green Award!

The cast iron Cape Cod
pictured in beautiful porcelain
Oxford Brown enamel









3 CUBIC FOOT CAPACITY FIREBOX



EASY-GLIDE ASH PAN



ONE SIMPLE INTUITIVE AIR CONTROL



SURFACES AND GLASS ON THE CAPE COD CAN GET QUITE HOT. IF YOU HAVE SMALL CHILDREN WE STRONGLY URGE YOU TO PURCHASE A PROTECTIVE SCREEN.



HYBRID-FYRE™ CLEAN BURN TECHNOLOGY THE CLEANEST & GREENEST STOVE EVER!

COMPLETE COMBUSTION - 0.45 GRAMS PER HOUR

- (A) Pre-heated combustion air helps the glass stay clean and the stove burn efficiently.
- (B) A single air control regulates the burn rate of the fire making this advanced burner system easy to operate.
- (C) Secondary air tubes combined with an insulated baffle slow down the fire and reburn the particulate.
- (D) A durable, large catalytic combustor incinerates any left over particulate, burning up to 99.5% of the flue gases and all but eliminating any carbon monoxide.

PLUS HIGH HEAT TRANSFER OVER 80% OVERALL EFFICIENCY

- (E) Bypass damper allows for smoke free start-ups and reloads when open, and assists overnight burns when closed.
- (F) Room air is drawn through the cast iron air convection chamber for maximum heat transfer and efficiency. Hot air is circulated through your room through natural convection.

All This Equals:



The cleanest burning most efficient wood stove ever made.

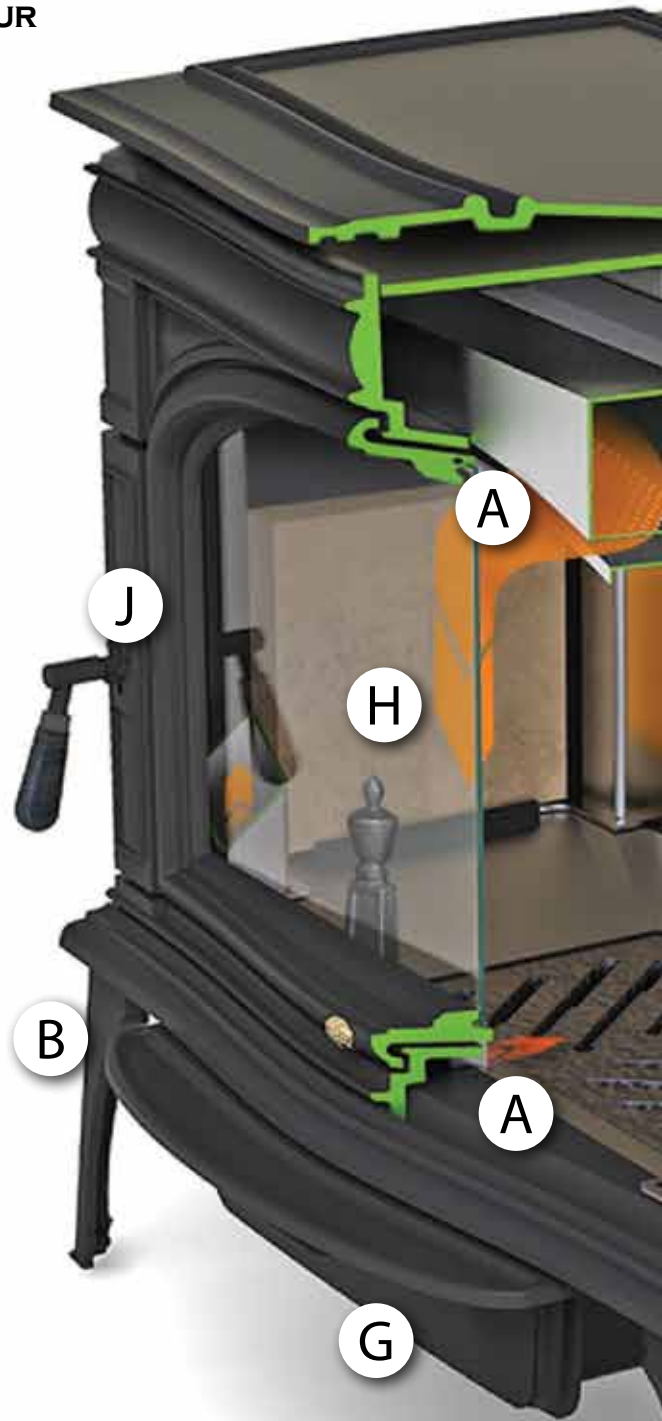
KILLER FEATURES

- (G) Easy glide large capacity ash drawer on ball bearing glides.
- (H) Large fireviewing door with stay clean ceramic glass.
- (I) Outside air connection (concealed).
- (J) Adjustable roller bar door handle.
- (K) Close rear and side wall clearance to combustibles.
- (L) 6" flue allows for less costly installation.

OVER THE TOP ACCESSORIES

- (M) A super quiet, massive, optional 400 CFM fan will boost heat circulation throughout your home.
- (N) Porcelain Oxford Brown enamel (picture on page 2).
- (O) Add the optional GreenStart Igniter to start your fire with a push of a button.

HYBRID-FYRE™ IS BROUGHT TO YOU BY LOPI, NORTH AMERICA'S FAVORITE FIRE FOR OVER THREE DECADES!

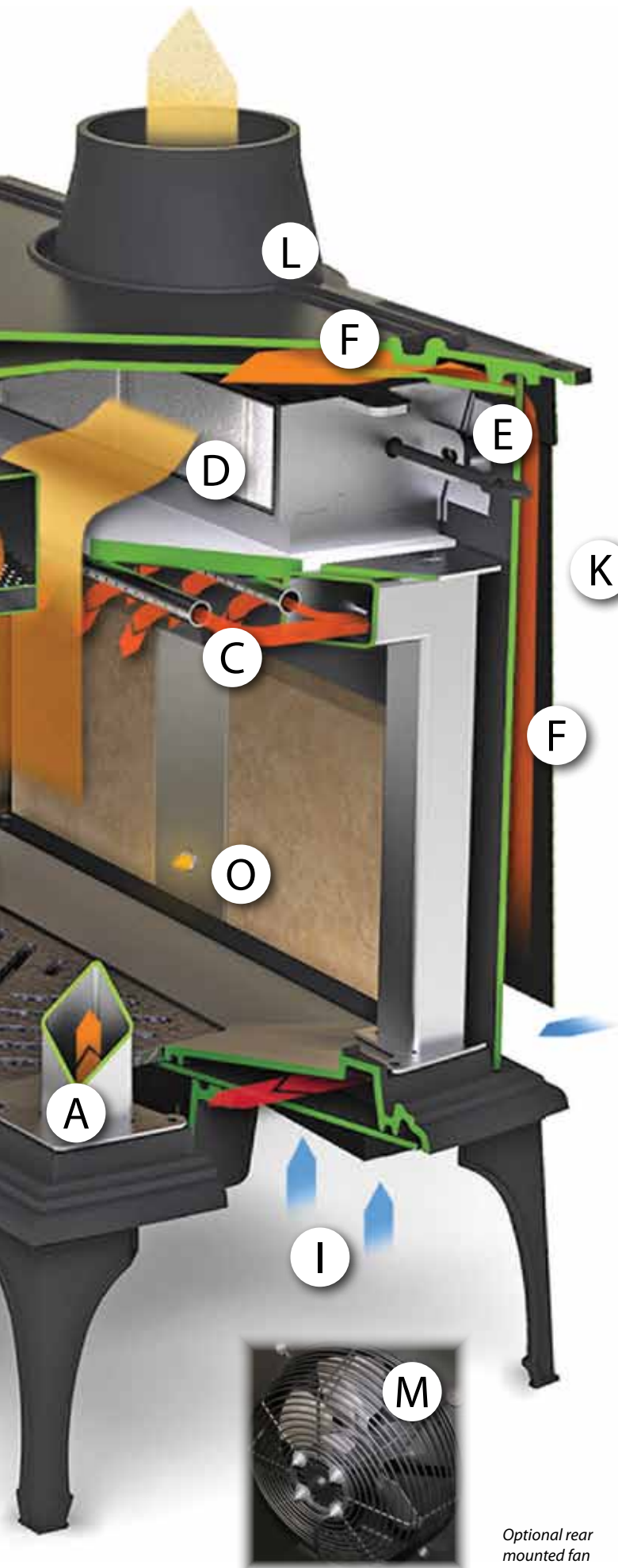




PUSH BUTTON START UP, THE GREATEST WOOD STOVE OPTION EVER!

With a push of the green button super heated air (1400°F) starts your Cape Cod in a New York minute. You can also use the GreenStart Igniter when adding new wood or refreshing your fire after an overnight burn. Your stove door stays closed during start ups; no more smoky starts, no more slow starts.

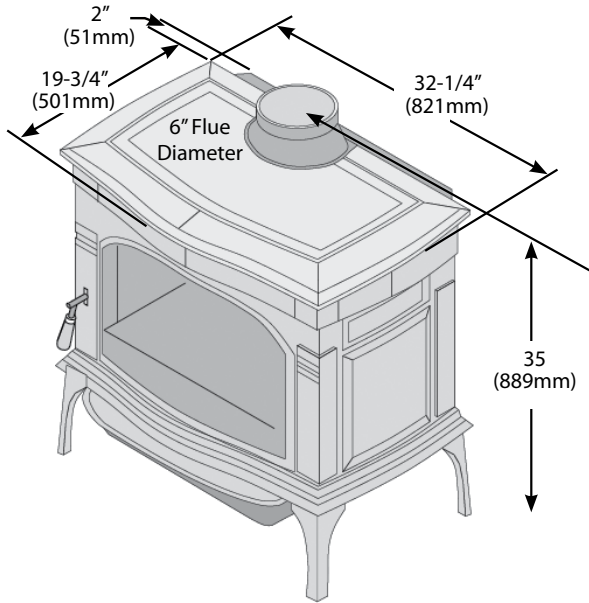
Anyone can do it!



Use your Smart
Phone QR Reader to
watch a video on the
GreenStart Igniter

Optional rear
mounted fan

CAPE COD WOOD STOVE SPECIFICATIONS



Always refer to the Owner's Manual for installation requirements!

INSTALLATION

We suggest that you have an authorized Lopi dealer install your stove. If you install the stove yourself, your authorized dealer should review your installation plans. If this appliance is not properly installed, a house fire may result. For your safety, follow the installation directions. Contact local building or fire officials about restrictions and installation inspection requirements in your area.

CHILD SAFETY

If you have small children or even pets, we highly recommend you consider purchasing a safety screen or guard to prevent the possibility of burns resulting from accidental contact with the hot surfaces of the stove. Ask your Lopi dealer for their recommendations on safety options for your particular installation.

TESTING

Tested and listed by Intertek Laboratories Inc. Conforms to UL STD 1482 and to ULC S627-2000.

EPA Phase II Approved 0.45 Grams/Hour	Efficiency** 80.1% Avg.	Heating Capacity Up to 2,500 Sq. Ft.* (232 M ²) Up to 3,000 Sq. Ft. with fan	Accepts 24" Wood Up To 12 Hour Burn Time	3.0 Cubic Foot Firebox	Huge Fire View 20-3/4" w x 13" H 244 sq. inches	Maximum BTUs (Cord Wood) 86,000 Per Hour	Weight 600 lbs (267 kg)
--	----------------------------	--	--	------------------------------	---	--	-------------------------------

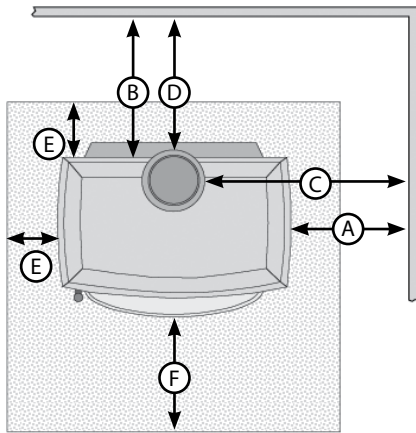
* Heating capacity may vary depending on degree of home insulation, floor plan and ambient temperature zone of the area you live.

** Efficiency Tested to CSA B415.1-10, using the high heating value (HHV) for the test fuel. Avg. = Average of "All Burn Rates"

CLEARANCE TO COMBUSTIBLES

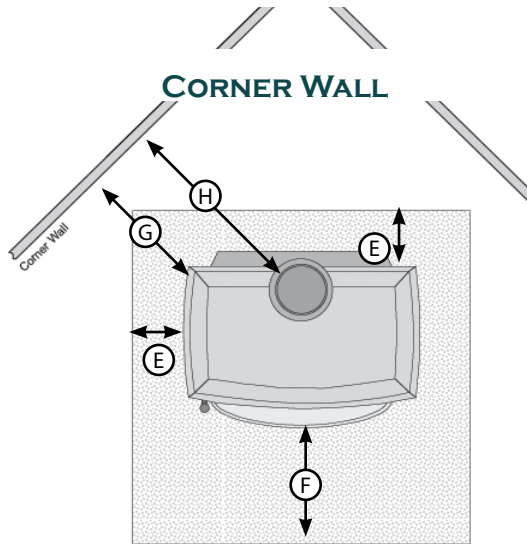
Refer to the Owner's Manual for additional details.

STRAIGHT WALL



	Single Wall Pipe	Double Wall Pipe
A - Stove Top to Side Wall	12-3/4" (324mm)	12-3/4" (324mm)
B - Stove Top to Back Wall	14-3/4" (375mm)	11-3/4" (375mm)
C - Connector to Side Wall	26" (660mm)	26" (660mm)
D - Connector to Back Wall	15" (381mm)	12" (305mm)
E - Floor Protection Side/Back	6" US (8" - 203mm CAN)	
F - Floor Protection Front	16" US (18" - 457mm CAN)	

CORNER WALL



	Single Wall Pipe	Double Wall Pipe
G - Stove Top to Corner	7-1/4" (184mm)	7-1/4" (184mm)
H - Connector to Corner Wall	17-1/2" (445mm)	17" (432mm)

ALCOVE

Combustible Alcove

Maximum Depth of Alcove
48" (1220mm)
Minimum Width of Alcove
59" (1499mm)
Minimum Height of Alcove
84" (2134mm) from base of stove

Non-Combustible Alcove

Maximum Depth of Alcove
48" (1220mm)
Minimum Width of Alcove
50" (1270mm)
Minimum Height of Alcove
6" (152mm) above top of stove

FLOOR PROTECTION

Non combustible floor protection must be at least .018" (.45mm) thick (26 gauge).
Minimum hearth size: Depth 41-3/4" US 39-3/4" CAN
Width 44-1/4" US 48-1/4" CAN

YOUR LOPi AUTHORIZED DEALER:



www.lopi stoves.com
Manufactured in
Mukilteo, WA

Take the video tour or register online for a plant tour in person.



MADE IN AMERICA