

Camano™ Wood Burning Stove


AVALON™
Firestyles for Life



Clean Burning, Green and Efficient

Camano™ Wood Burning Stove



The Camano Wood Stove Features

- Clean, sleek design lines of the Camano allows for a unique and timeless presentation of fire that lends itself to a wide range of architectural styles from contemporary to traditional home decors.
- Gentle radius-edges throughout accentuates a versatile design. A single cast iron door further accentuates the clean design.
- Designed to provide both radiant and convective heat for your home.
- The large stove top makes a great cooktop surface during power outages.
- Flexible installation options include mobile home, alcove and on a hearth.
- The EPA certified Camano is clean burning, efficient and green.
- A single air control gives you easy control over fire.
- The dependable air wash system keeps glass clean of soot and ash.

<i>Emissions</i>	<i>Heating Capacity</i>	<i>Heat Output</i>	<i>Maximum Burn Time</i>	<i>Firebox Size</i>	<i>Log Size</i>	<i>Weight</i>	<i>Construction</i>	<i>Efficiency</i>
4.4 Grams Per Hour	750 to 1,400 Square Feet	66,800 Btus/Hr. (With Cord Wood)	Up To 8 Hours	1.6 Cubic Foot	Up To 18"	370 lbs.	5/16" to 3/16" Steel Plate Cast Iron Top and Door	Up to 79.6%

Attention To Detail, Design and Function

1 Clean Smooth Lines

The Avalon Camano design features clean, cast iron top, smooth lines with pleasing curved radius for a wood stove that is as much a fine piece of furniture as it is a great heat source for your home.



2 Neo-Ceramic Glass

The huge fireviewing glass is a unique transparent ceramic material designed to withstand extreme high and low temperatures without breaking and promotes maximum radiant heat transfer into your home.

3 Real Kiln-Fired Brick

Avalon uses real kiln-fired brick in the firebox and baffle to increase burn efficiency and promote greater heat transfer. This dense, heavy-duty brick is made to last and is far superior to the light-weight pumice brick used in most other hearth products.

4 Cast Iron Door

A durable cast iron door is used to seal the combustion chamber. Featuring heavy-duty fiberglass rope insulation and sure-lock door handle, the door maintains a tight air seal and hides the convection air inlets from view.



5 Stainless Steel Airtubes

Secondary combustion air is delivered through the stainless steel air tubes. This air promotes super efficient combustion that re-burns almost all of the smoke and gases that would otherwise escape up the flue and into the environment.

6 Clean Glass Airwash System

Pre-heated air is directed evenly down across the viewing area keeping smoke and ash particles away from glass. The airwash works to prevent soot buildup on the surface of the glass during operation.

7 Full Convection Chamber

The Camano features a full convection chamber that wraps around the firebox and by design pulls cool room air up and around the firebox and transfers heat naturally into your home. Heat transfer can be aided with the optional convection fan.



8 Easy-to-Use Air Control

The easy-to-use push/pull air control allows you to fine tune both the primary and secondary combustion air with single handle, no guess work to achieve the most efficient setting. Pull it out to open up the air for a more vigorous fire, push it in to damper to slow the fire down and kick in the secondary burn cycle.

Optional Outside Air Kit (sku 99200139)

Many areas require outside air to be used as the stoves source of combustion air. The optional outside air kit is hidden behind the adjustable center divider and provides a convenient way for this air source to be accessed from beneath the stove.

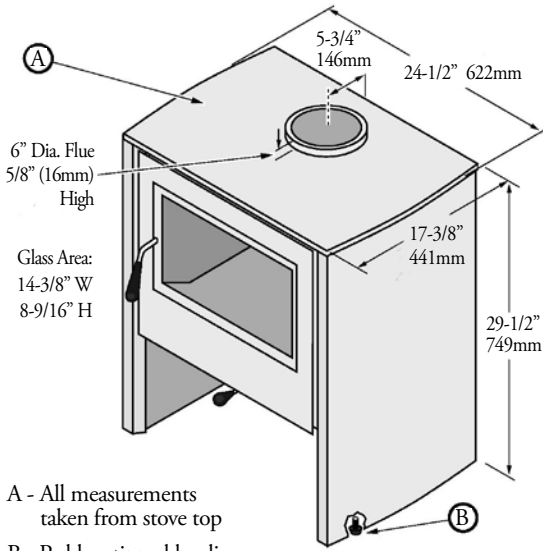
Optional 130 CFM Convection Fan (sku 99000138)

Increase the transfer of heat into your home with the optional Convection fan. This rear mount fan is high on power, but low on noise. The variable speed fan increases the natural air movement around the firebox by moving up to 130 cubic feet of air per minute.

All Avalon freestyles are proudly made in the U.S.A.

Always refer to and use the Installation Manual for complete install information.
 Owner's manual can be found at www.avalonfirestyles.com

Product Dimensions:



A - All measurements taken from stove top
 B - Rubber-tipped leveling bolts at each corner

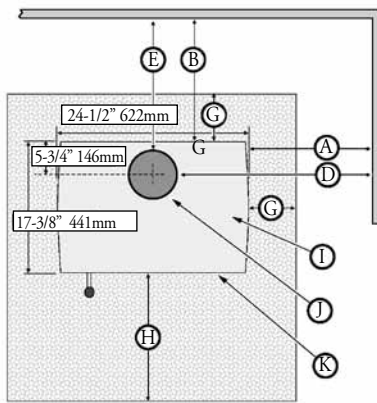
Minimum Clearances To Combustibles:

Minimum Clearance	Singlewall Connector	Reduced Clearance*
A = Sidewall to Stove	18"	13"
B = Backwall to Stove	16-1/2"	9"
C = Corner to Stove	10"	7-1/2"
D = Corner to Sidewall	27"	21-1/2"
E = Connector to Backwall	19-1/2"	11-1/2"
F = Connector to Cornerwall	19-1/2"	16-1/2"
G = Floor Protection Side and Back	6" USA 8" CAN	6" USA 8" CAN
H = Floor Protection Front	16" USA 18" CAN	16" USA 18" CAN

*Reduced Clearance Installation - Approved Chimneys and Connectors

- AMERI-TECH model DCC with HS chimney
- DURAVENT model DVL with DURATEC or DURA-PLUS chimney
- GSW Super Chimney Twenty-One connected directly to appliance
- I.C.C. Excel (2100-2 Can.) (103-HT USA) chimney with HP connector
- METALFAB model DW connector with TG chimney
- OLIVER MACLEOD PROVENT model PV connector with model 3103 chimney
- SECURITY model DP connector with SECURITY model ASHT or S2100 chimney
- SELKIRK METALBESTOS model DS connector with model SSII chimney
- Standard Masonry Chimney with any one of the above listed connectors

Straight Installation



Floor Protection:

Floor protection must extend to the sides, rear and front of the stove.
 Floor protection must be non-combustible and at least .018" thick (26 gauge).

Minimum Hearth: Width: 36 1/2" USA 40 1/2" Canada
 Depth: 39 3/8" USA 43 3/8" Canada

Safety Listings

This appliance is tested to UL 1482 and ULC627-00. This appliance is listed by INTERTEK Test Labs - Report #100217684-001.

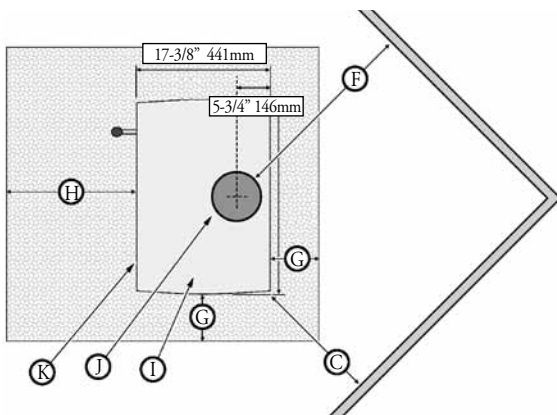
Clearances may be reduced by methods specified in NFPA 211, listed wall, pipe shields, or other means approved by local building or fire official.

Child Safety

Take the time to educate young children about the dangers of fire and the hot surface temperatures on the glass metal on your wood stove. If you have an infant or toddler we recommend installing a firescreen to surround the wood stove. Make sure it is tall enough so that children can't climb over it, and that it's placed far enough away so that reaching arms can't touch the hot surfaces of the stove. A few precautions such as these will allow everyone in your home to safely enjoy the comfort and warmth of your new wood stove.



Corner Installation



www.avalonfirestyle.com

Photos and illustrations are for descriptive purposes only.

We reserve the right to improve or change our products without prior notification.

All trademarks belong to Travis Industries, Inc. Consult the Owner's Manual for complete installation requirements.

© Copyright T. I. 2011/07 - Printed in the U. S. A. - 98800517