

AGP™ PELLET STOVE



NEVER BE COLD AGAIN!



EASY TO LIVE WITH...

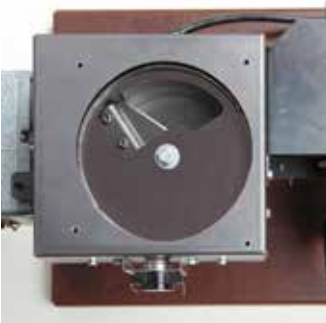
WHY DO WE CALL IT THE AGP?

We've designed the new AGP to burn "All Grades of Pellets." From the hopper to the ashpan we have designed in features that allow you to burn low grade wood pellets as efficiently and effectively as possible. With its unique fuel delivery system we've eliminated many of the maintenance headaches previously associated with owning a pellet stove.

- NO Over Feeding, No Wasted Unburned Pellet Fuel
- NO Problem With Pellet Fines Blocking the Auger
- NO Burn Back Insuring Safe Operation



Designed to burn all grades of wood pellets



HRD Rotary Disc Feed System



Watch a video on how the HRD works

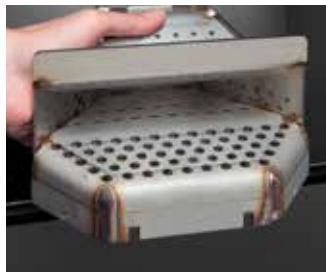
The heart of the system is the Horizontal Rotary Disc (HRD). Its purpose is twofold;

- (1) It controls the amount of fuel that leaves the hopper and enters the auger.
- (2) No direct path between the burning fuel and hopper thus eliminating any chance of burn back.

As the layered disc rotates fuel leaves the hopper and enters the holding area, which is the space between the hopper and the auger. The disc rotates 180 degrees before the holding area opens allowing the fuel to drop onto the auger. By doing this the two openings (upper and lower) are never simultaneously aligned, thus delivering a precise amount of fuel and eliminating any chance for a burn back.

The Horizontal auger moves the fuel from the drop zone to the inclined platform. By being horizontal it offers two distinct advantages;

- (1) Along with the pellets it moves the pellet fines onto the burn platform to be burned instead of causing a potential maintenance issue = more heat, less waste.
- (2) Less stress on the auger motor = longer life with years of smooth, quiet operation.



Stainless Steel Burn Platform

Burn Platform – This is where intense combustion occurs. The design and materials used in the burn platform has everything to do with long life of the components and a happy homeowner. The burn platform is made of long life high-grade 309 stainless steel and is 3/16" thick. The inclined floor of the burn platform is at a 14 degree angle, and that is very important to the combustion performance. At 14 degrees it is self tuned to burn the fuel completely and still maintain its self cleaning benefit. As new fuel enters the platform ash and particulate matter is pushed into the ashpan for easy removal as routine maintenance dictates. By being self cleaning the homeowner is rarely required to remove any unburned clinkers. But if it is necessary to assist the system the burn platform cleanout tool provided does it with ease.



Simple To Use Control Panel

The Lopi AGP Pellet Stove is available in two finishes, Black Paint or Rust Patina.

The very popular rust patina is unique on each model due to the hand applied method of the finish.



Black Paint



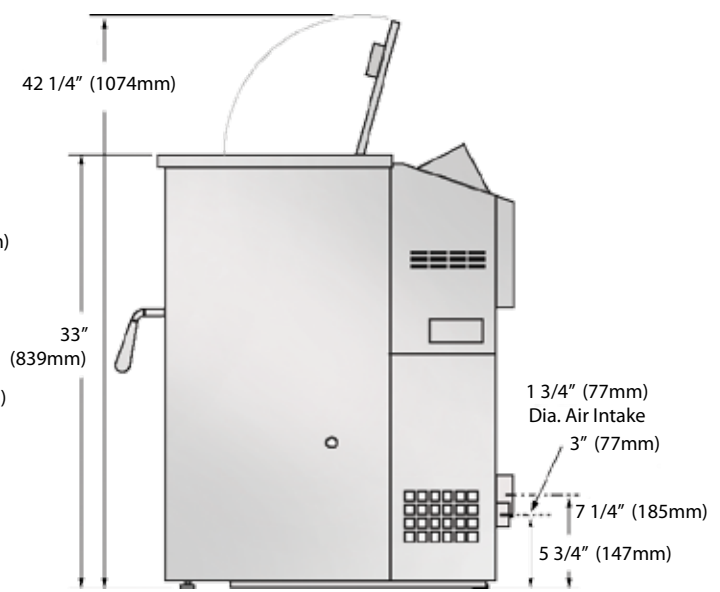
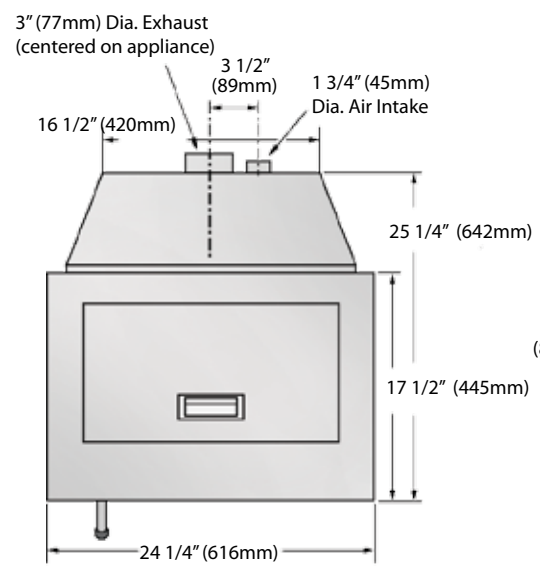
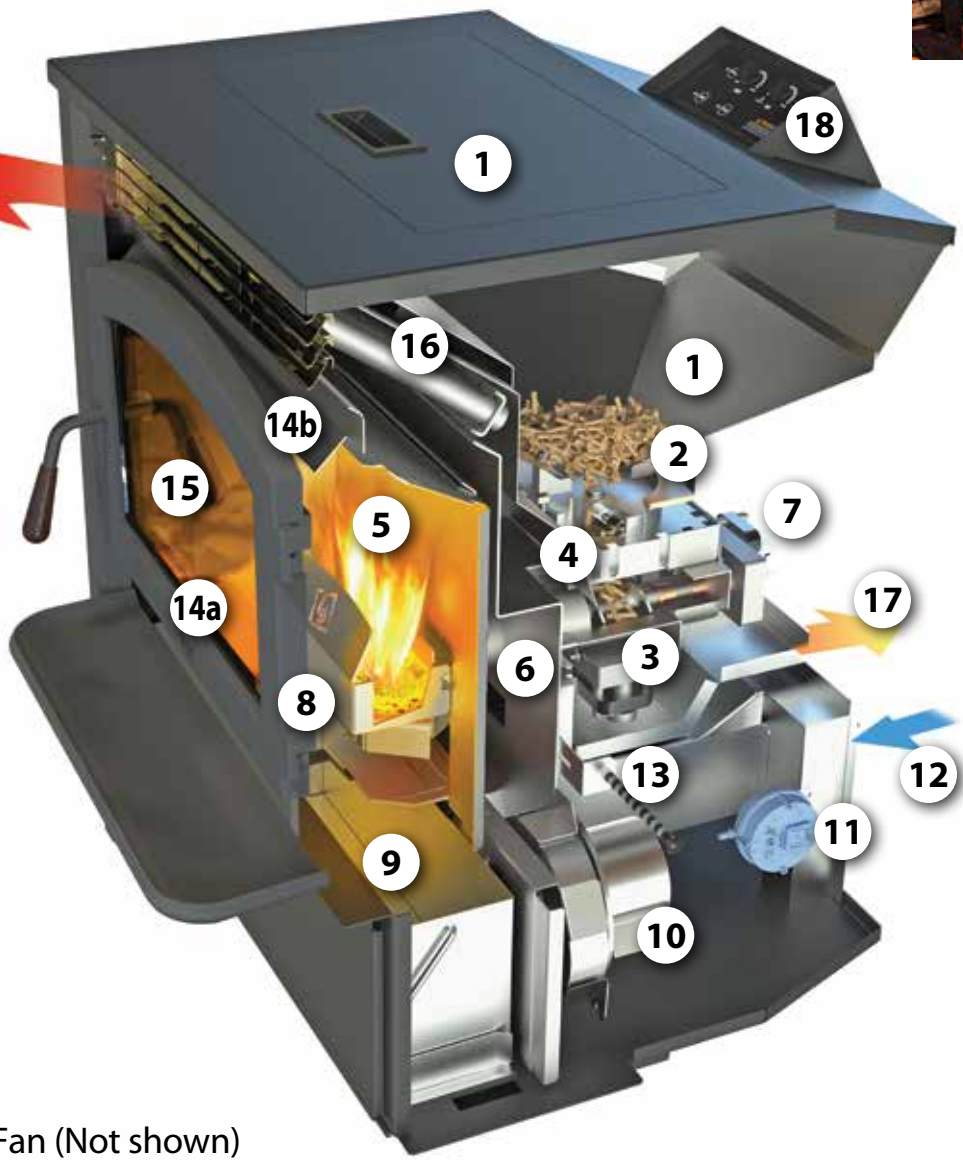
Rust Patina

Additional options include Wall Thermostat, Wireless Wall Mount Thermostat or Remote Control.



EASY TO OWN!

1. 80 lbs. Capacity Hopper
2. Horizontal Rotary Disk (HRD) Feed with Case Hardened, Replaceable Shear Blade
3. Drive Motor for HRD
4. Pellet Holding Chamber
5. Fire Chamber
6. Primary Fuel Feed Push Auger
7. Drive Motor for Auger
8. Stainless Steel Burn Platform
9. Ash Pan
10. Combustion Fan
11. Negative Pressure Flow Switch
12. Outside Combustion Air
13. Combustion Air Restrictor
- 14a. Air Wash (Bottom)
- 14b. Air Wash (Top)
15. Ceramic Door Glass
16. External Heat Exchange Tubes
17. 3" Exhaust
18. Easy to Understand Controls
19. High Heat Transfer Convection Fan (Not shown)



Hopper Capacity	Heating Capacity*	Burn Times	Turn Down Ratio	Btu/Hour Range	Burn Rate Per Hour	Glass Area
80 lbs.	800 to 2,000 Sq. Ft.	On Low - 57 Hours On High - 16 Hours	72%	Low - 11,480 High - 41,000	1.4 lbs. on Low 5 lbs. on High	127 Sq. In.

* HEATING CAPACITY may vary depending on the degree of home insulation, floor plan and ambient temperature zone of the area in which you live. BTU/Hour range will vary with the quality, size and brand of pellets used.

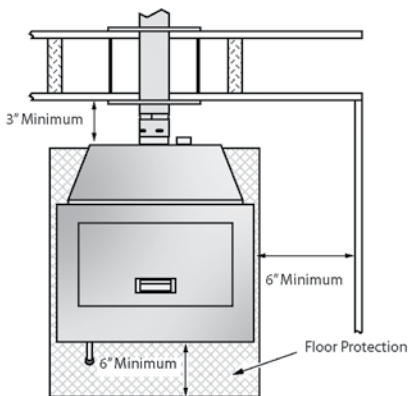
Use these illustrations as a guide only. For complete installation instructions please refer to your Lopi Dealer or go to the AGP Pellet product page at www.lopistoves.com.

NOTE: Improper installation of your pellet appliance or failure to operate it in accordance to the guidelines detailed in the Owner's Manual may negate your warranty and endanger your home and family.

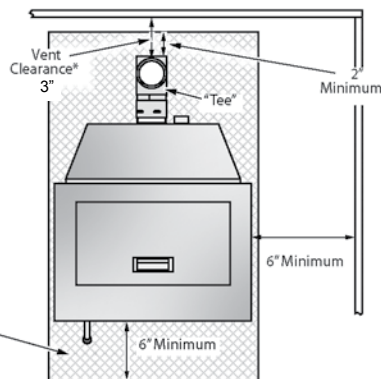
MINIMUM CLEARANCES TO COMBUSTIBLE WALLS

Stove clearances measured from Top of Stove. Connector clearances measured from exhaust vent.

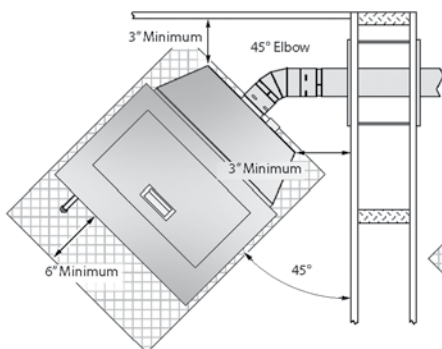
Straight Wall Through The Wall Installation



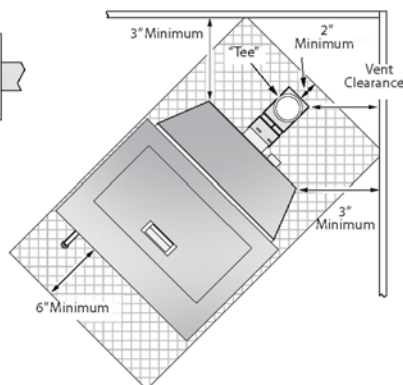
Interior Vertical Vent Installation



Corner Through The Wall Installation



Interior Vertical Vent Installation



TESTING

Listed Pelletized Solid Fuel Burning Appliance. Also for use in mobile homes. Certified for the US and Canada. Conforms to ASTM E1509-04, Room Heater Pellet Burning Type (UM) 84 HUD; Certified to ULC S627. Tested and listed for mobile homes in accordance with OAR 814-23-900 through 814-23-909. Tested and Listed by Intertek.

FLOOR PROTECTION

The pellet stove must be installed on a non-combustible surface protector extending the full width and depth of the heater and extending 6" (153mm) in front and 2" (51mm) to each side and under the rear exhaust Tee. Hearth protection must be a minimum .018" thick (26 gauge).

ALCOVE REQUIREMENTS

When installed in an alcove with a ceiling height less than 7 ft (2.134 M).

- Minimum Height is 60" with 6" side and 3" rear clearance to wall.
- Minimum Width is 36-9/16" with min. clearance of 3" for horizontal venting.
- Maximum depth is 48" with minimum clearance of 2" from pipe for vertical venting.

CHILD SAFETY

If you have small children at home or visiting, we recommend you purchasing a safety screen or guard to prevent accidental contact with the hot surfaces of the stove.



www.lopistoves.com
Manufactured in
Mukilteo, WA

YOUR LOPI AUTHORIZED DEALER:



©2013/05 Printed in U.S.A. - #98800584
Lopi reserves the right to alter or improve its products at any time without notification. All trademarks belong to Travis Industries. For installation specifications refer to the Owner's Manual found on the Lopi website.