

# MANCHESTER

## PELLET STOVE



Manchester Pellet stove featured in Brown Majolica Enamel.



### FINISH OPTIONS:



Matte Black



Brown Majolica Enamel



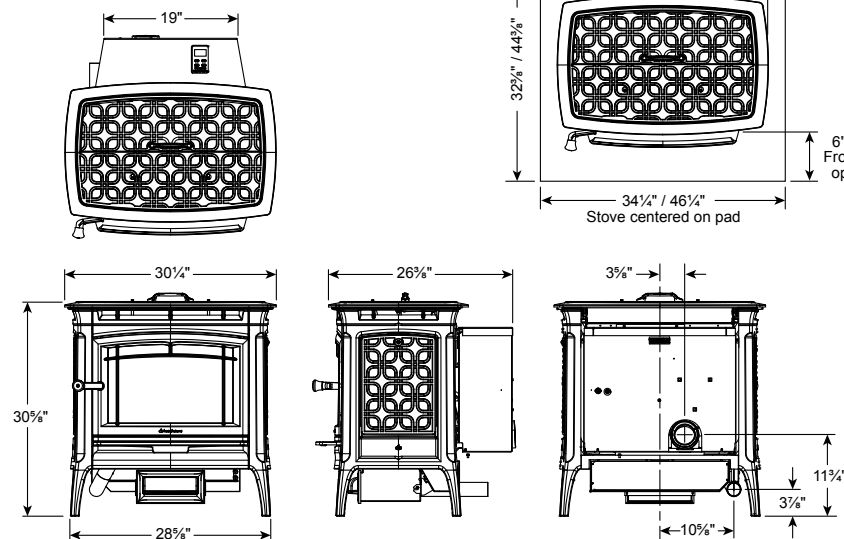
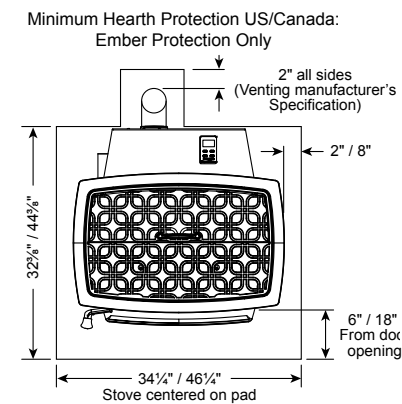
Manchester Pellet stove featured in Matte Black.

## MANCHESTER PELLET 8330 FEATURES AND BENEFITS

- **High-efficiency tube heat exchanger** – maximizes heat transfer to your home
- **High-quality fans and few moving parts** – quiet operation
- **Oval burn pot** – creates an unparalleled flame
- **Finished firebox interior** – enhances the flame picture
- **Automated control system** – self adjusts the combustion settings
- **Automatic cleaning cycles** – minimize manual cleaning

## SPECIFICATIONS

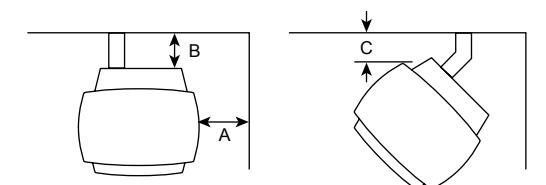
Heats up to .....	2,000 sq ft
Burn Rate Range .....	1.8 to 6.0 lbs per hour
Size .....	15,300 to 51,000 BTUs
EPA Rating .....	1.3 gph
Efficiency .....	87%
Hopper Capacity .....	Up to 60 lbs.
Vent Size .....	3" exit, 4" recommended
Outside Air Inlet .....	2 inch diameter
EZ Comfort Control .....	Included
Ash Pan .....	Included
Convection Blower .....	Included
Electrical Rating .....	120 volts, 60Hz, 4Amps
Actual Weight .....	385 lbs
Alcove Certified .....	Yes
Mobile Home Certified .....	Yes



## FINE-LINED EUROPEAN CAST IRON COMPLEMENTED BY PROVEN TECHNOLOGY

The Manchester Pellet brings you convenience and advanced technology in an attractive Hearthstone cast iron design. With a generous heat output and a low EPA emission rating of 1.3 gph, the Manchester is one of the most efficient and clean burning pellet stoves in the industry.

## CLEARANCES TO COMBUSTIBLE MATERIALS



	Horizontal Vent	Vertical Vent
A	6"	6"
B	2"	Determined by Vent Manufacturer
C	1"	Determined by Vent Manufacturer