



No Utility Bills Inc.

www.noutilitybills.com

Tel: (780)628-4835

#301 Lyall Subdivision, County of Athabasca, AB, Canada
VIEWINGS BY APPOINTMENT ONLY!

List Price From	
Sale Price From	
<small>Sale ends 03/31/09 while stock lasts * Prices subject to change without notice!</small>	

Harman PC-45 45,000 Btu Grain & Pellet Stove



Harman PC45 Specifications	
Height	34-1/2"
Width	23-1/2"
Depth	29-1/2"
Flue Size	3" - Direct Vent
Weight	249 lbs
Maximum Capacity	45,000 BTU/hour
Side Clearance	18"
Rear Clearance	2"
Front Clearance	48"
Log Set	Optional
Trim Options	Brushed Stainless Steel, Gold Or Nickel
Ash Pan Tile Options	11 ceramic*, 4 slate, 1 stainless steel **
Available Colors	Stock Satin Black
Fuse Rating	120V/60Hz/6amps

Even though the PC45 has been specifically designed for burning grain and is first and foremost a state-of-the-art grain burning stove, It is also a very efficient 50,000 BTU output wood pellet stove. The stove can light its self, heat the room to the set temperature, shut its self off, then repeat for the next heat cycle.

Harman PC45 Features
Room Temperature Sensor
Patented Feeder
Swing Open Ash Door
Accordion Heat Exchanger
Air-Cooled Combustion Blower
Automatic Temperature Control
Over 127 Square Inches Of Glass
Harman "Sidewinder" Burner Pot With Automatic Ignition
ESP Probe
Large Hopper



No Utility Bills Inc.

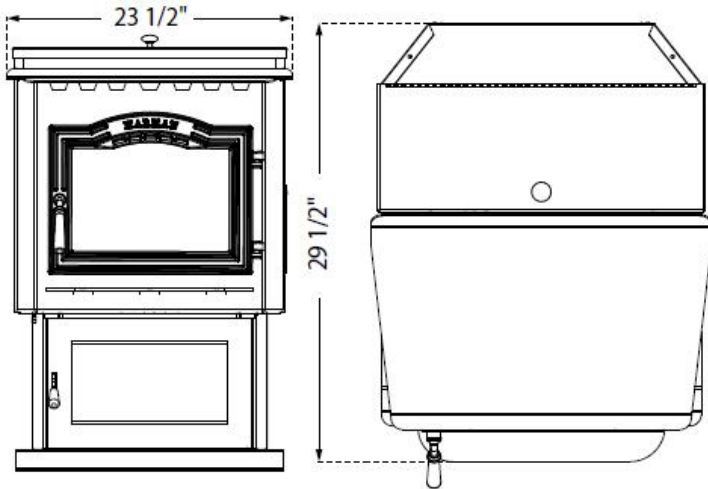
www.noutilitybills.com

Tel: (780)628-4835

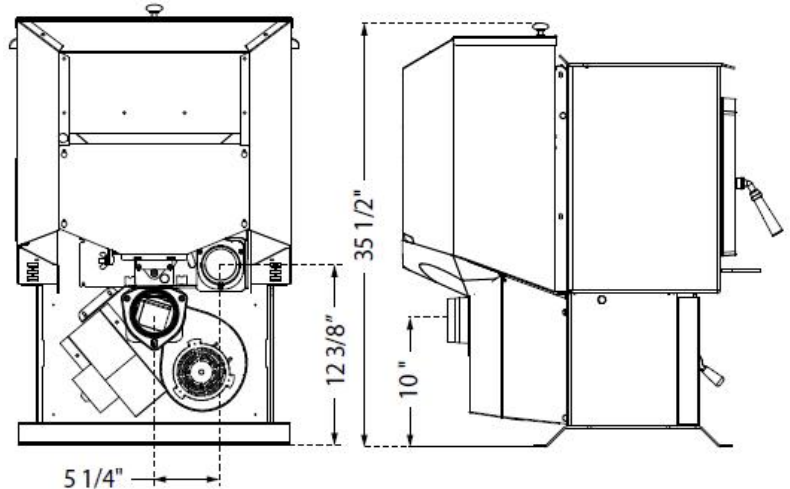
#301 Lyall Subdivision, County of Athabasca, AB, Canada

VIEWINGS BY APPOINTMENT ONLY!

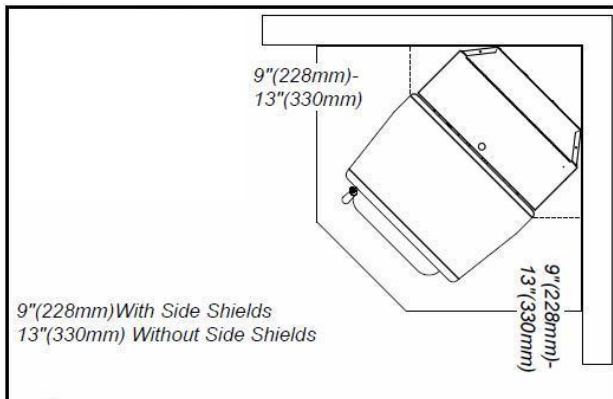
Harman PC-45 Grain & Pellet Stove Clearances ULC-S627 Listed Grain/Pellet Burning Room Heater



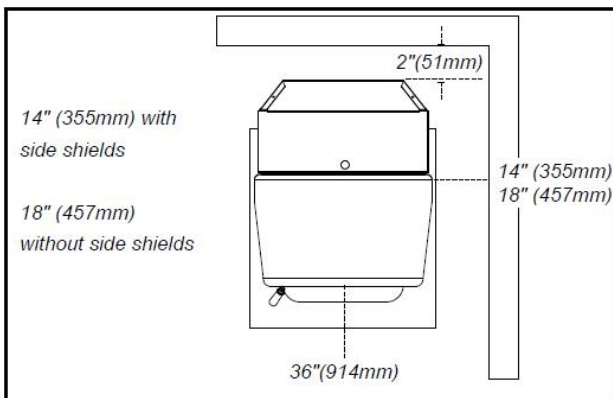
Front & Top View



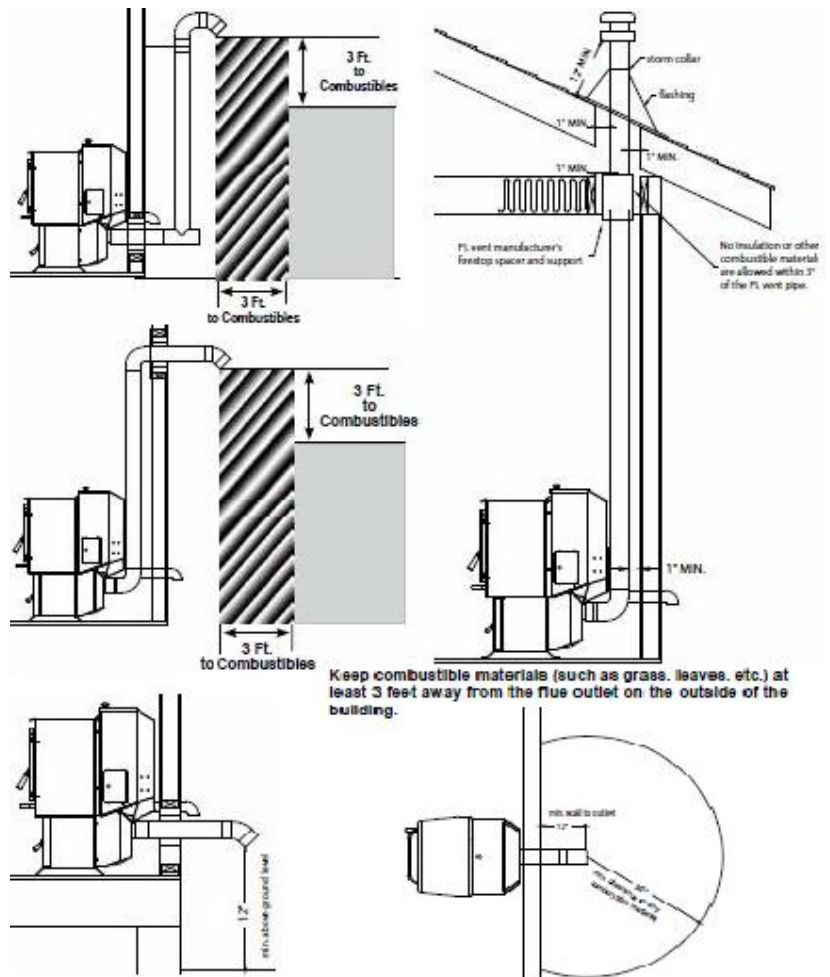
Rear & Side View



Corner Clearances



Side & Back Wall Clearances



Four Most Typical Venting Options