



No Utility Bills Inc.

www.noutilitybills.com

Tel: (780)628-4835

#301 Lyall Subdivision, County of Athabasca, AB, Canada
VIEWINGS BY APPOINTMENT ONLY!

List Price From	
Sale Price From	
* Prices subject to change without notice!	

Harman P61A 61,000 Btu Pellet Stove



Harman P61A Specifications	
Height	34-1/2"
Width	23-1/2"
Depth	29-1/2"
Flue Size	3" - Direct Vent
Weight	249 lbs
Maximum Capacity	61,000 BTU/hour
Side Clearance	18" / * 12"
Rear Clearance	2"
Front Clearance	48"
Log Set	Optional
Trim Options	Brushed Stainless Steel, Gold Or Nickel
Ash Pan Tile Options	11 ceramic*, 4 slate, 1 stainless steel **
Available Colors	Stock Satin Black
Fuse Rating	120V/60Hz/5amp

The P61A Pellet Stove relies on state-of-the-art technology to automatically adjust itself to your desired room temperature. Simply pour your pellets into the convenient top-loading hopper and set the temperature dial. If the room is much cooler than the set temperature, the P61A will produce a large fire in order to quickly reach the desired temperature. If only a slight increase is needed, the P61A will burn a small fire. This way, no energy is wasted by overshooting your predetermined temperature.

Harman P61A Features
Room Temperature Sensor
Patented Feeder
Swing Open Ash Door
Accordion Heat Exchanger
Air-Cooled Combustion Blower
Automatic Temperature Control
Over 100 Square Inches Of Glass
Harman Patented Burner Pot With Automatic Ignition
ESP Probe
Large 72lb Hopper (132lbs with hopper extension)



No Utility Bills Inc.

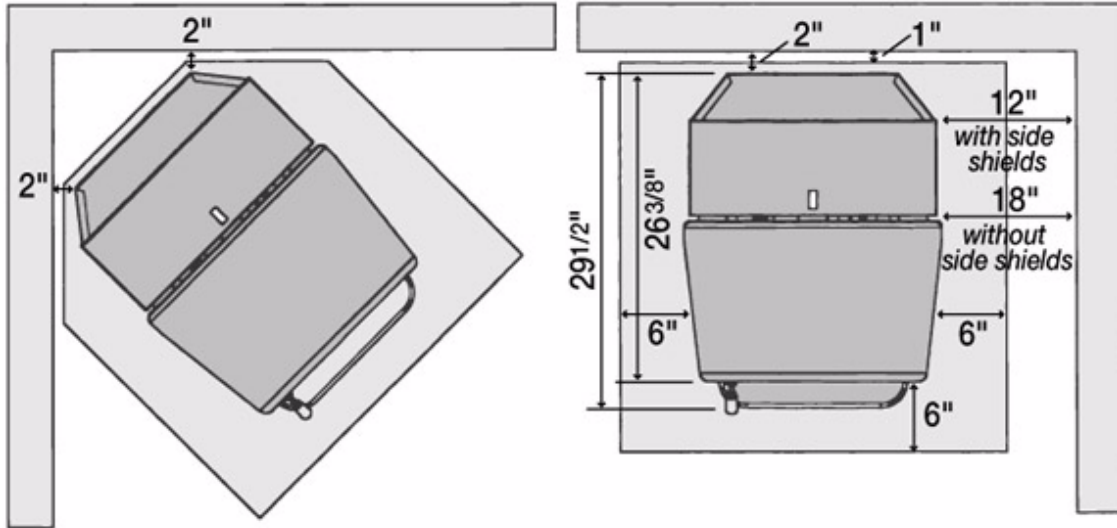
www.noutilitybills.com

Tel: (780)628-4835

#301 Lyall Subdivision, County of Athabasca, AB, Canada

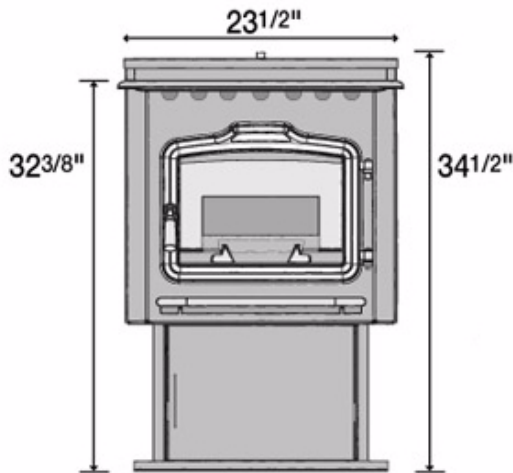
VIEWINGS BY APPOINTMENT ONLY!

Harman P61A Pellet Stove Clearances ULC-S627 Listed Grain/Pellet Burning Room Heater

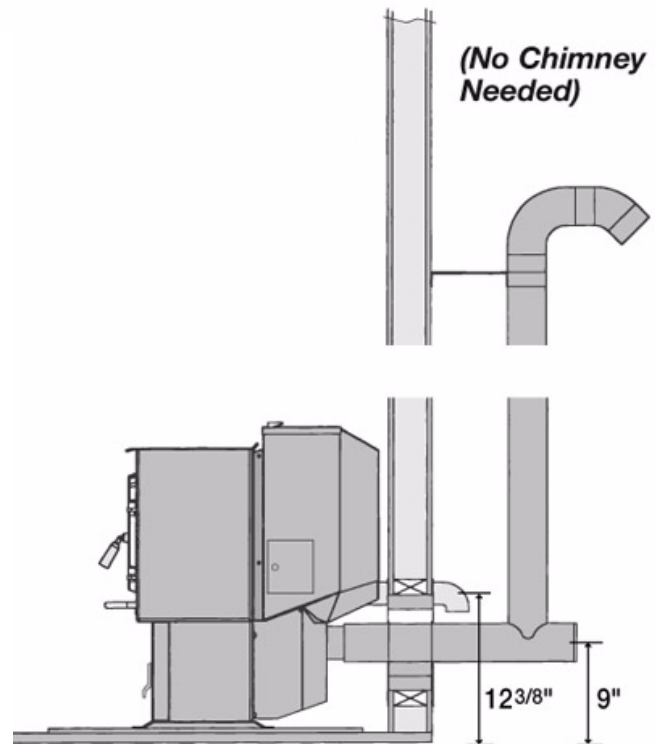


Corner Installation

Top View



Front View



Side View of Installation Option #6
(see PL-Vent Manual for other options)